



US00D443680S

(12) **United States Design Patent**  
**Cummings**

(10) **Patent No.:** **US D443,680 S**

(45) **Date of Patent:** **\*\* Jun. 12, 2001**

(54) **SOIL PIPE CONNECTOR**

(75) **Inventor:** **Stephen John Cummings**, Newport (AU)

(73) **Assignee:** **Caroma Industries Limited**, Brisbane (AU)

(\*\*) **Term:** **14 Years**

(21) **Appl. No.:** **29/114,706**

(22) **Filed:** **Nov. 30, 1999**

(30) **Foreign Application Priority Data**

May 31, 1999 (AU) ..... 1699/99

(51) **LOC (7) Cl.** ..... **23-01**

(52) **U.S. Cl.** ..... **D23/266**

(58) **Field of Search** ..... D23/259, 262, D23/266; 4/252.1, 252.4, 252.5; 138/96 R; 285/148.22, 148.23, 148.25, 148.27, 285.1

(56) **References Cited**

**U.S. PATENT DOCUMENTS**

290,045 \* 12/1883 Hardy ..... 285/148.23

1,793,681	*	2/1931	Crowell	.....	285/148.27
2,455,470	*	12/1948	Collison	.....	285/148.23
3,015,501	*	1/1962	Minella	.....	4/252.4
3,967,326	*	7/1976	Tammen	.....	4/252.5
6,052,839	*	4/2000	Teskey	.....	4/252.4
6,085,362	*	7/2000	Huber	.....	4/252.4

\* cited by examiner

*Primary Examiner*—Robin V. Taylor

(74) *Attorney, Agent, or Firm*—Roper & Quigg; Steven R. Trybus

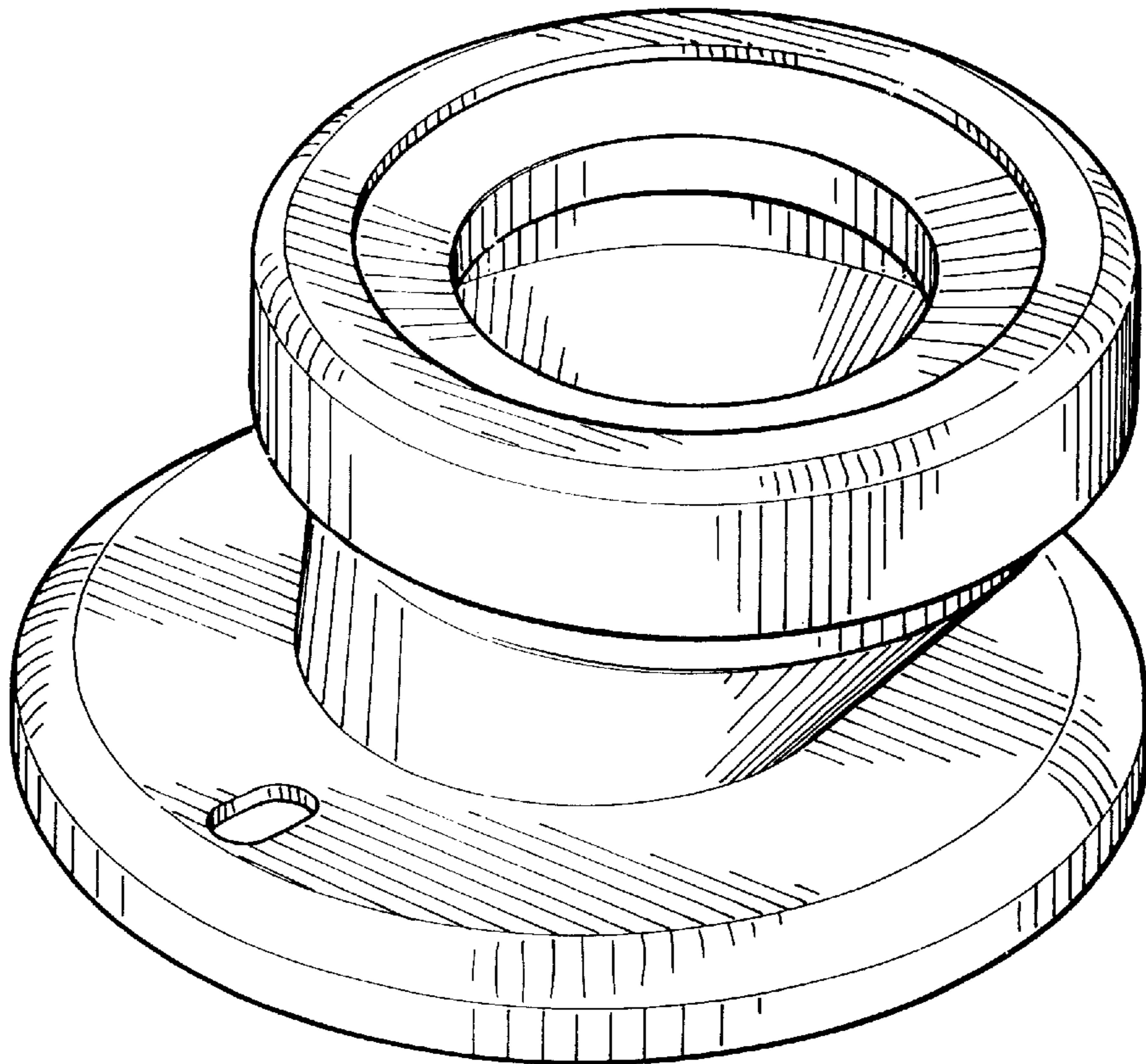
(57) **CLAIM**

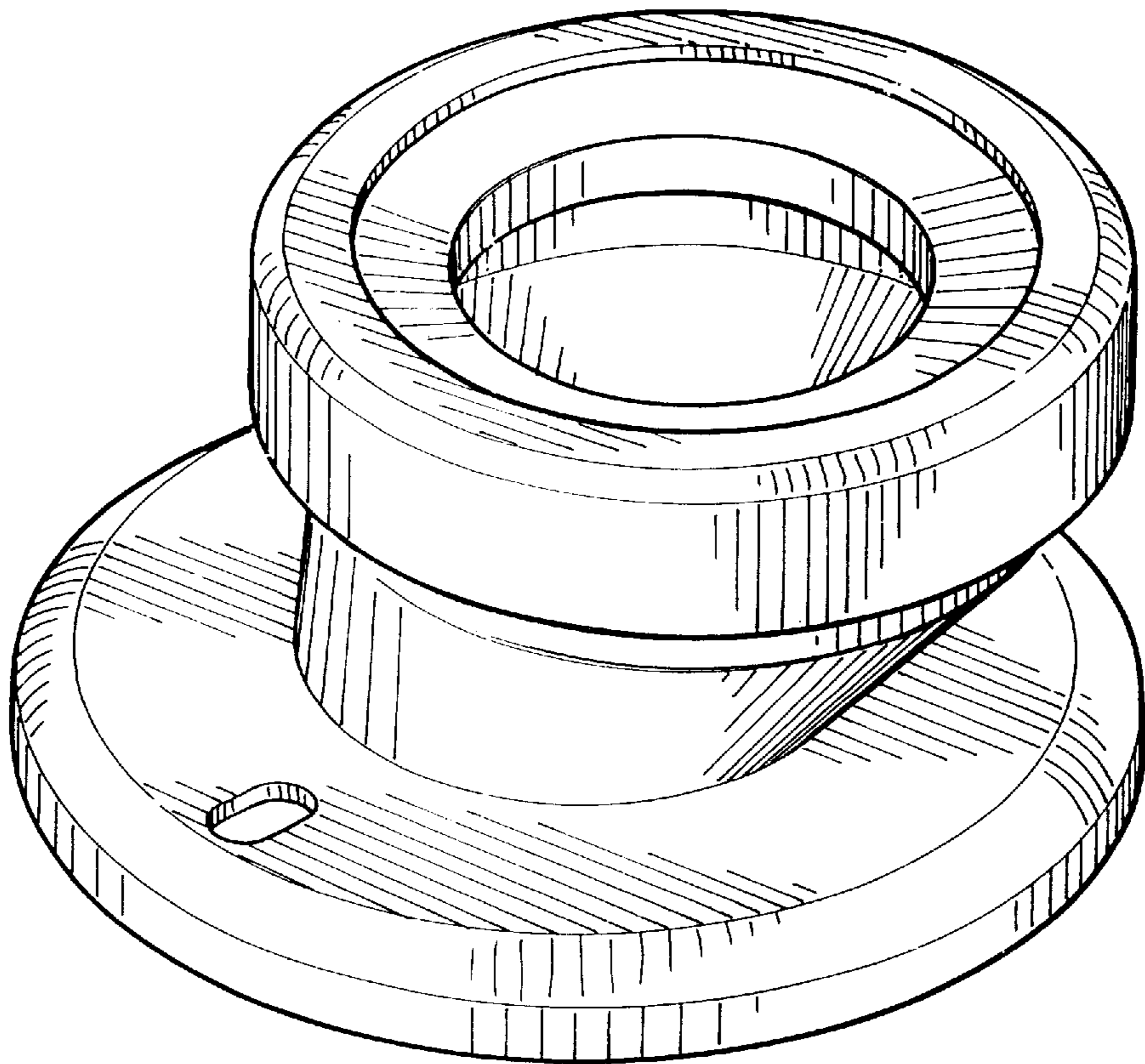
The ornamental design for a soil pipe connector, as shown and described.

**DESCRIPTION**

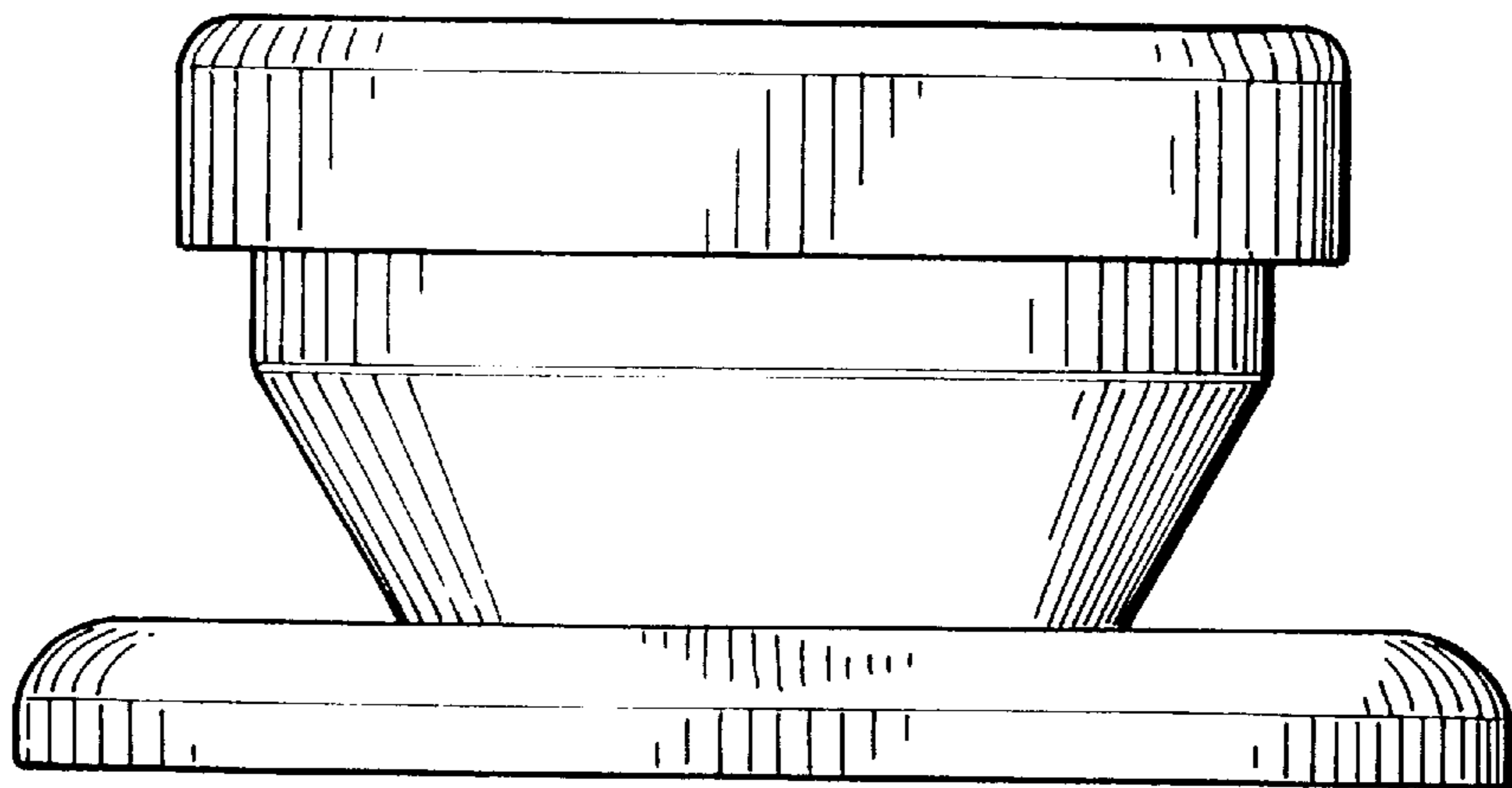
FIG. 1. is a Perspective View showing my new design; FIG. 2 is a Front View thereof; FIG. 3 is a Plan View thereof; FIG. 4 is a Rear View thereof; FIG. 5 is a Left Side View, the Right Side being a mirror image; and, FIG. 6 is a Inverted Plan View thereof.

**1 Claim, 3 Drawing Sheets**

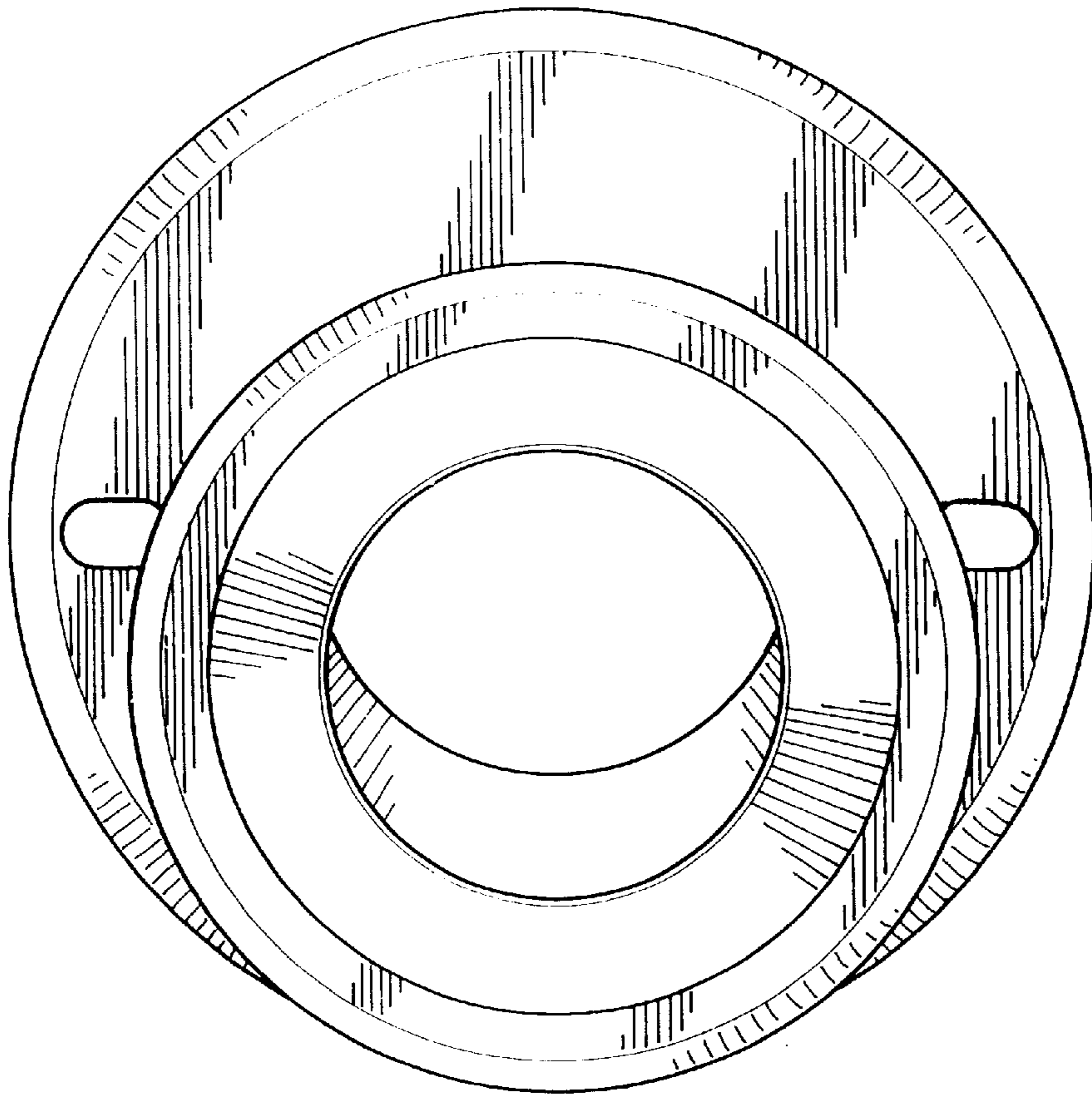




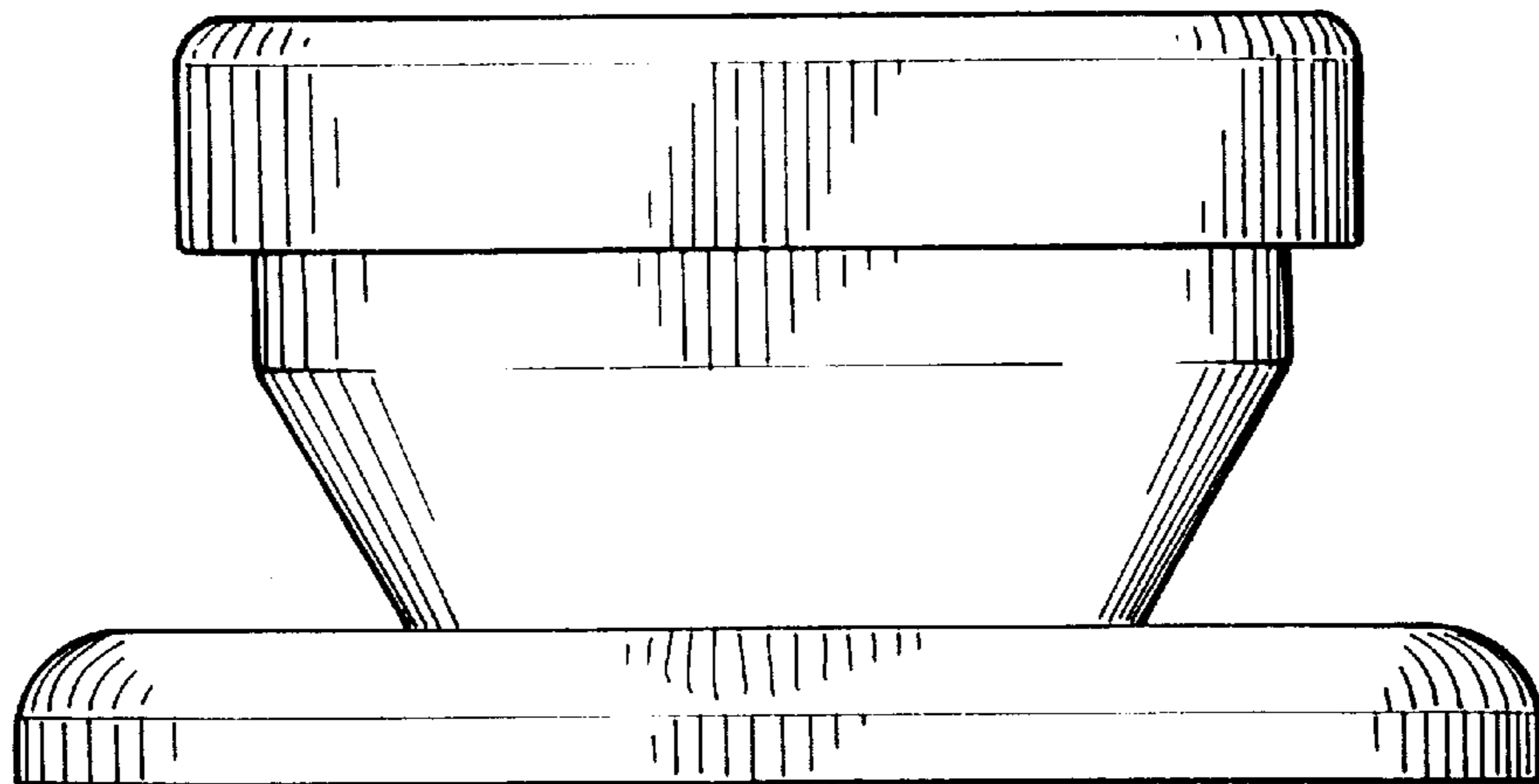
*FIG. 1*



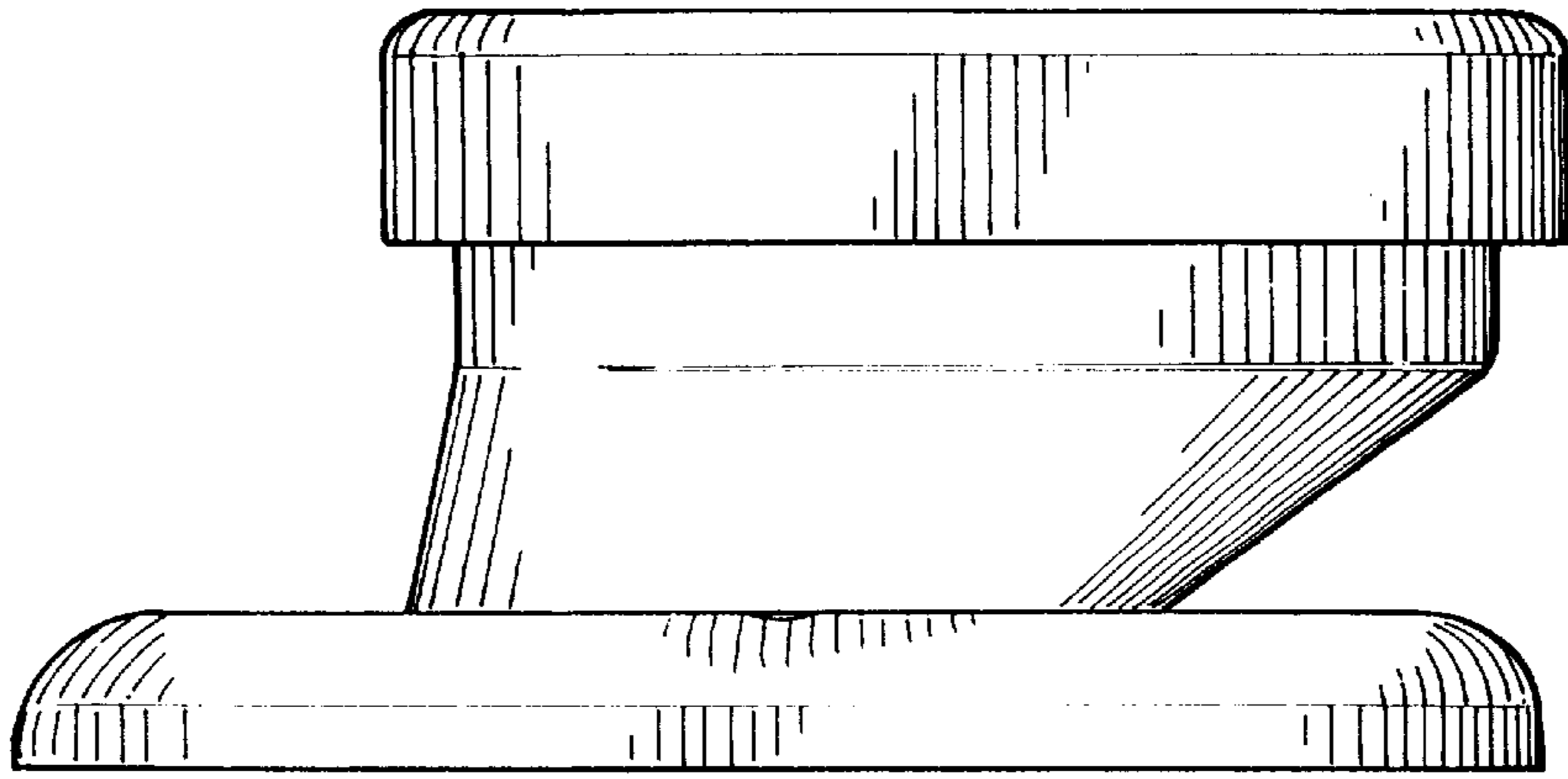
*FIG. 2*



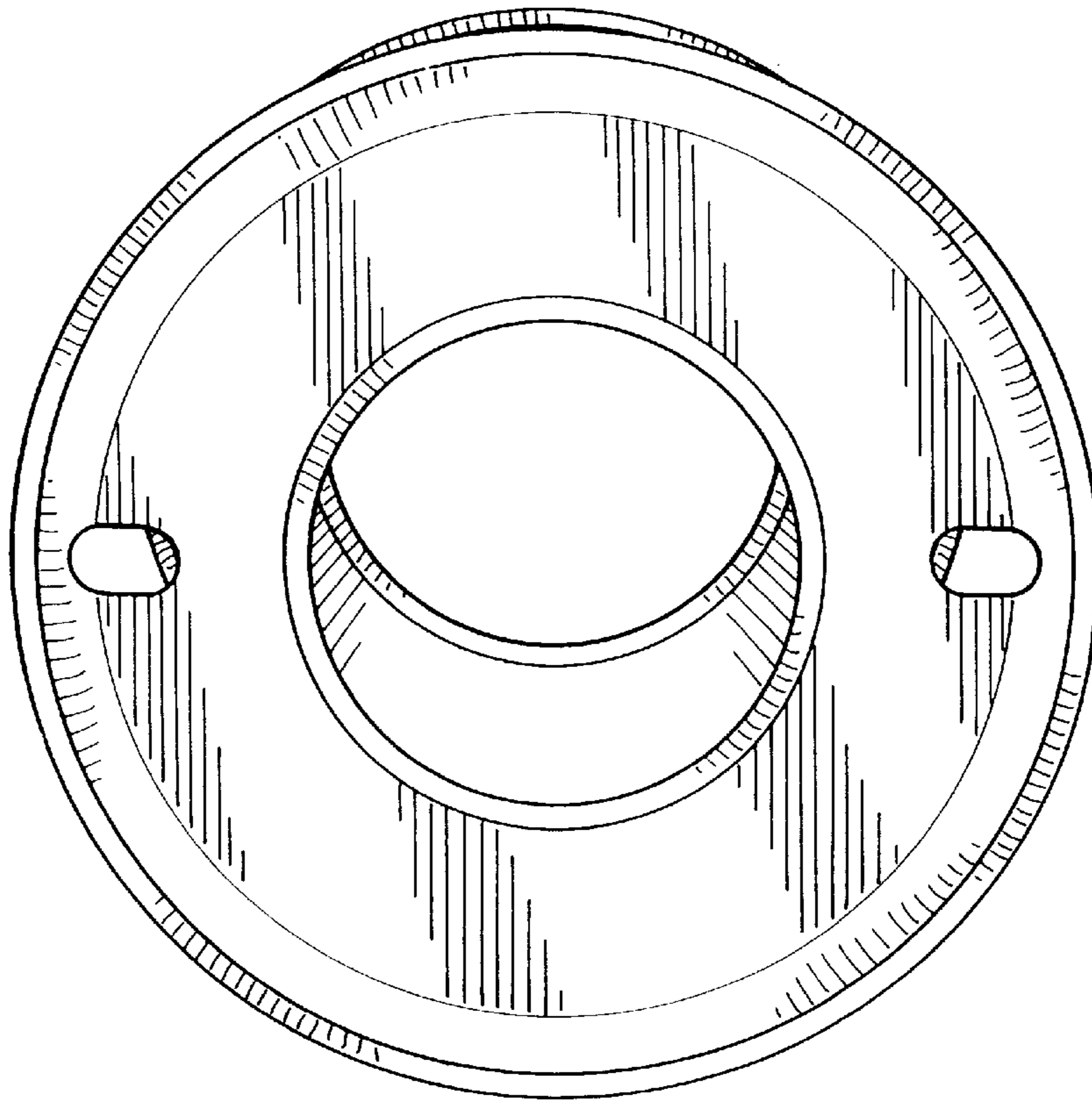
*FIG. 3*



*FIG. 4*



*FIG. 5*



*FIG. 6*