



US00D443674S

(12) **United States Design Patent**  
**Heren et al.**

(10) **Patent No.:** **US D443,674 S**

(45) **Date of Patent:** **\*\* Jun. 12, 2001**

(54) **NON-FLOW CONTROL ROTOR MODULE**

3,580,508 \* 5/1971 Azusa et al. .... 239/230

4,819,875 \* 4/1989 Beal ..... 239/230

5,647,541 \* 7/1997 Nelson ..... 239/230

(75) Inventors: **Lawrence P. Heren**, East Peoria; **Scott Jacobs**, Bloomington, both of IL (US)

\* cited by examiner

(73) Assignee: **L. R. Nelson Corporation**, Peoria, IL (US)

*Primary Examiner*—Robin V. Taylor

(74) *Attorney, Agent, or Firm*—Mayer, Brown & Platt

(\*\*) Term: **14 Years**

(57) **CLAIM**

(21) Appl. No.: **29/124,442**

The ornamental design for a non-flow control rotor module, as shown and described.

(22) Filed: **Jun. 6, 2000**

**DESCRIPTION**

(51) **LOC (7) Cl.** ..... **23-01**

FIG. 1 is a isometric view thereof;

(52) **U.S. Cl.** ..... **D23/214**

FIG. 2 is a top plan view thereof;

(58) **Field of Search** ..... D23/214, 217, D23/219; 239/273, 276, 581.1, 230

FIG. 3 is a bottom plan view thereof,

FIG. 4 is a front elevational view showing my new design;

FIG. 5 is a right side elevational view thereof,

FIG. 6 is a left side elevational view thereof; and,

FIG. 7 is a rear elevational view thereof.

(56) **References Cited**

**U.S. PATENT DOCUMENTS**

2,421,551 \* 6/1947 Dunham ..... 239/230

3,103,313 \* 9/1963 Raem ..... 239/230

**1 Claim, 2 Drawing Sheets**

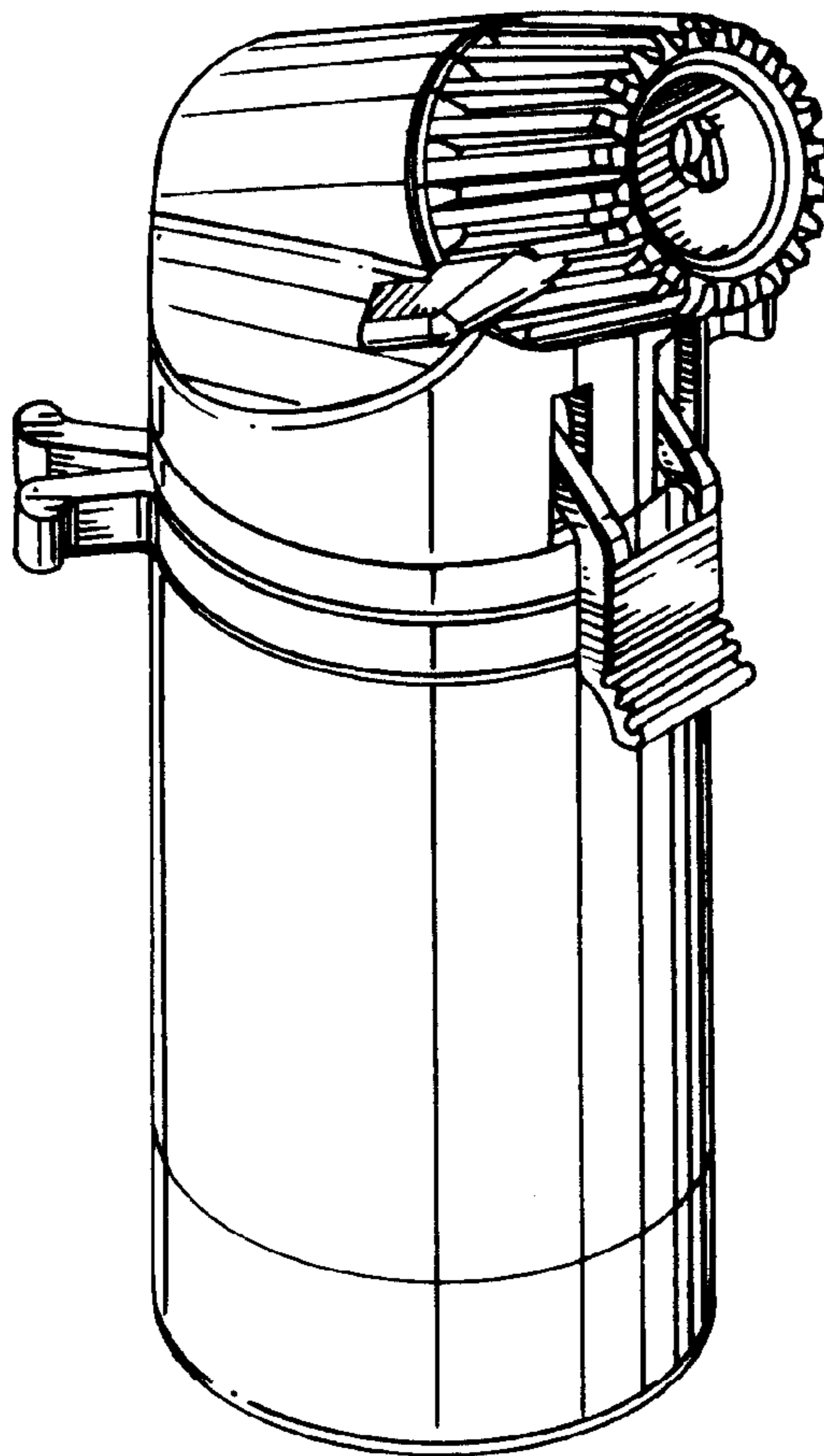


FIG. 1

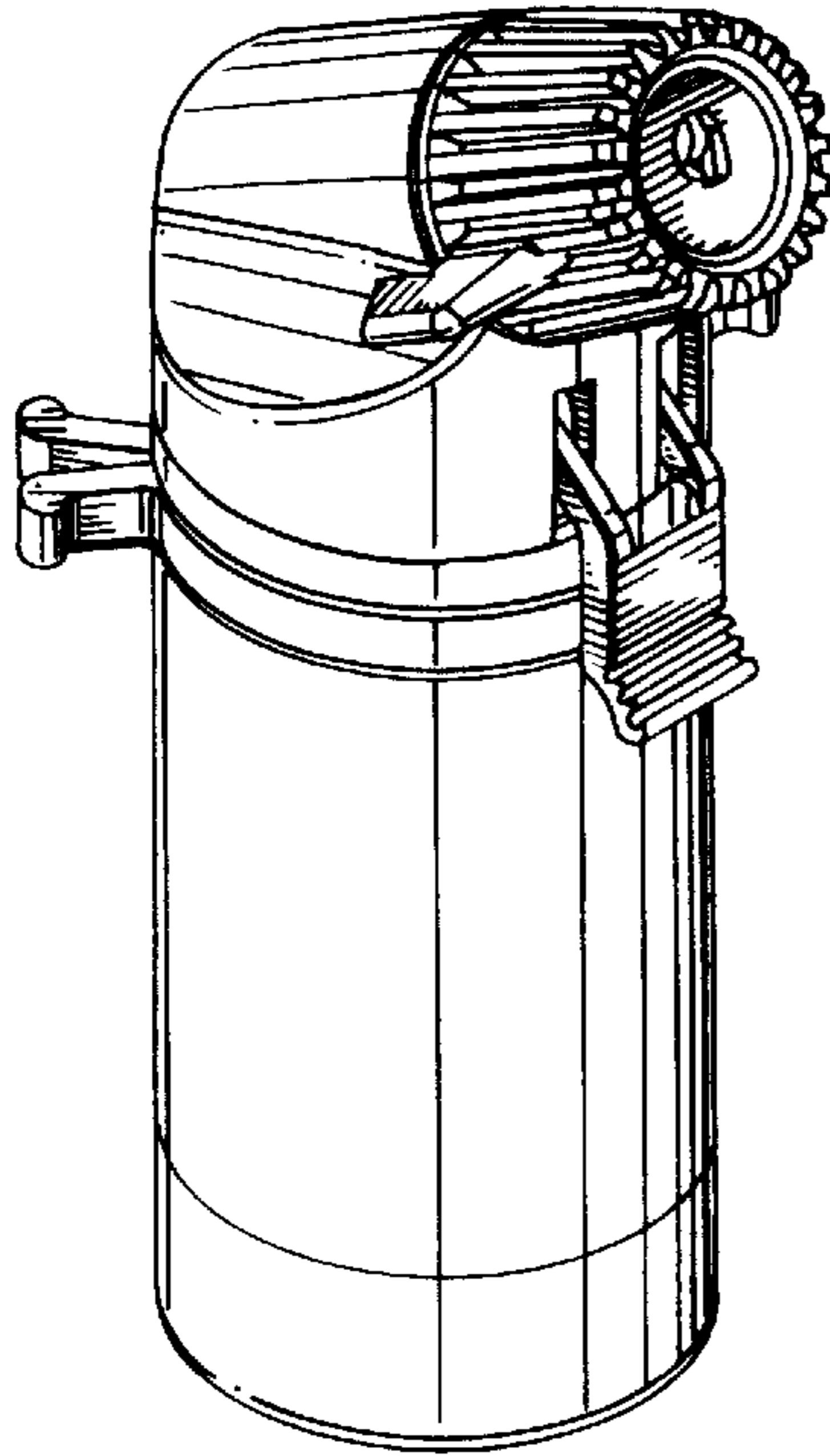


FIG. 2

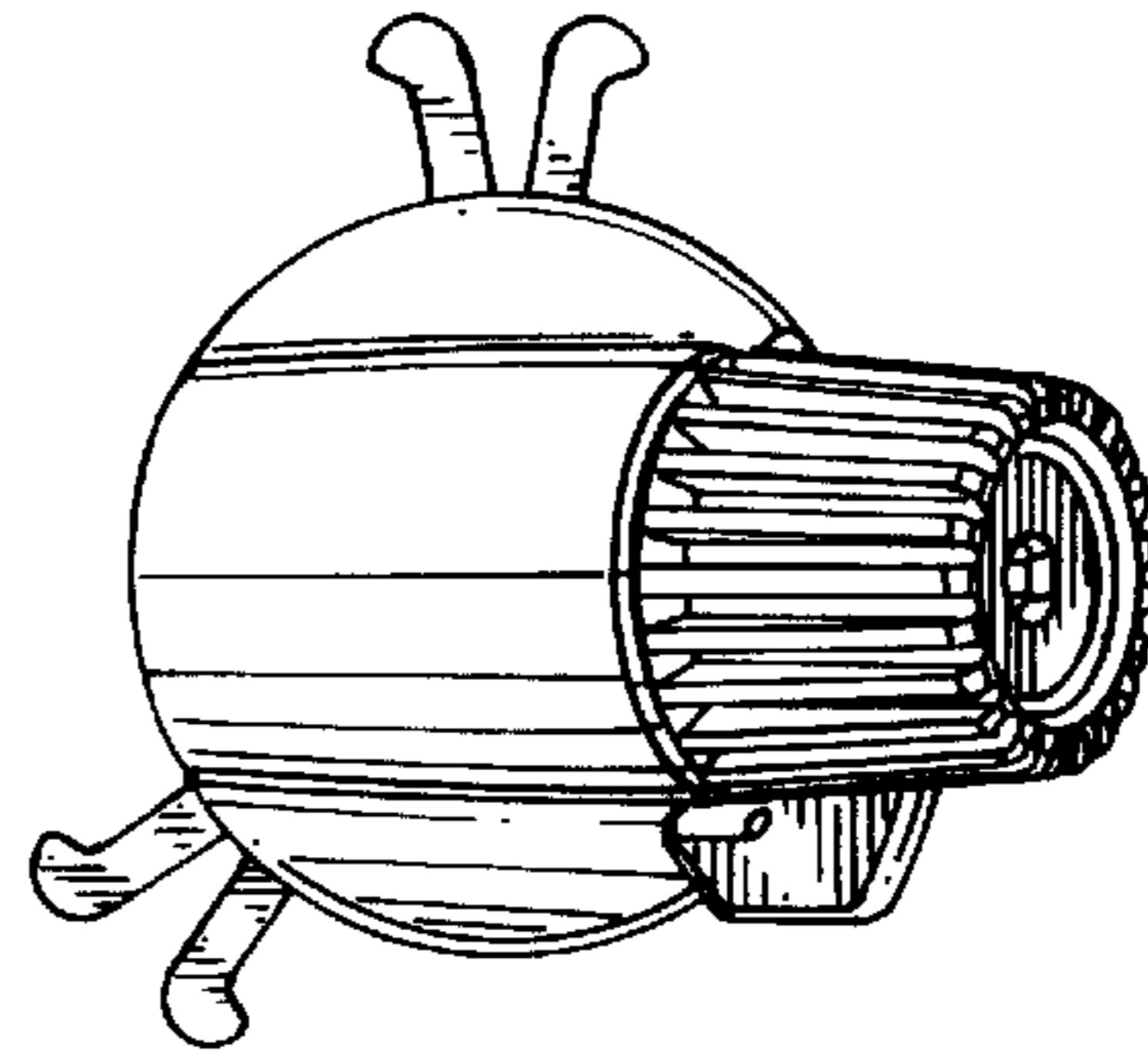


FIG. 4

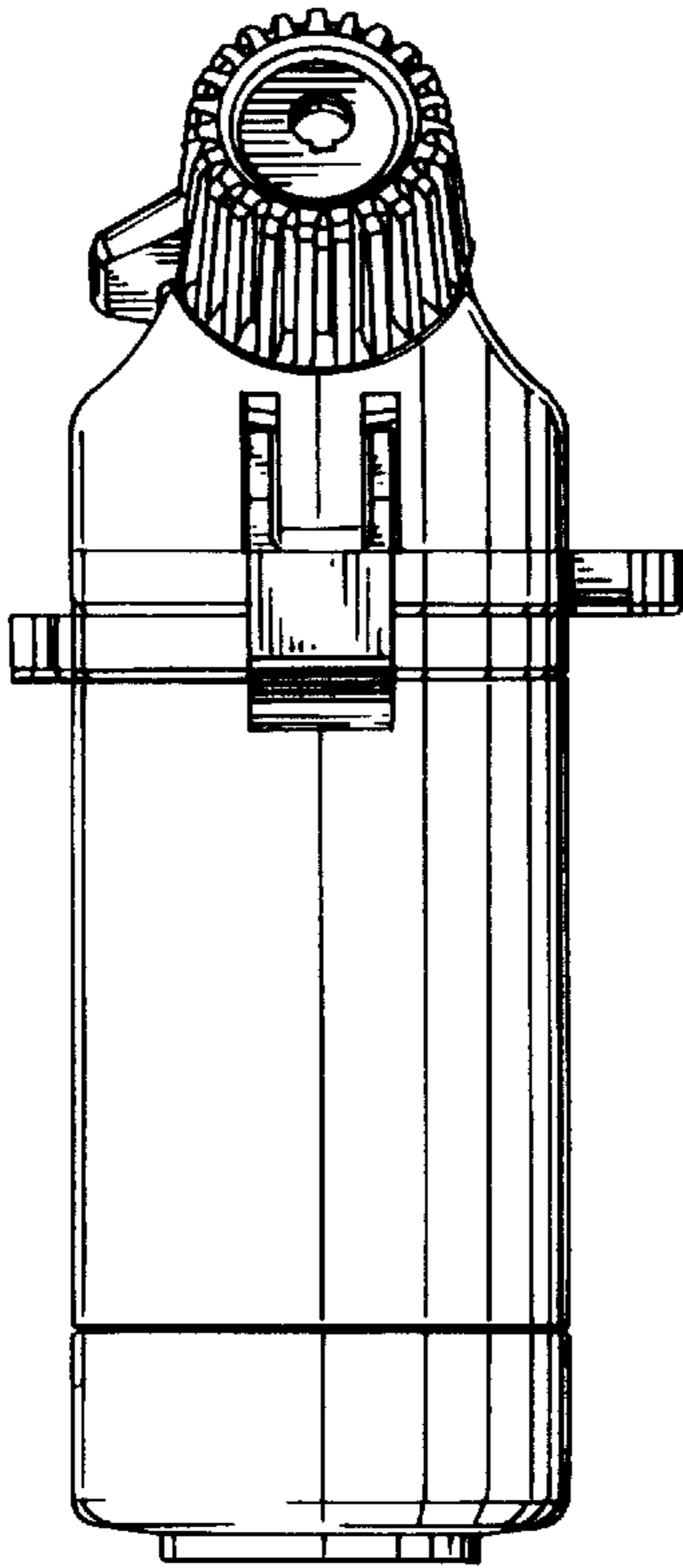


FIG. 3

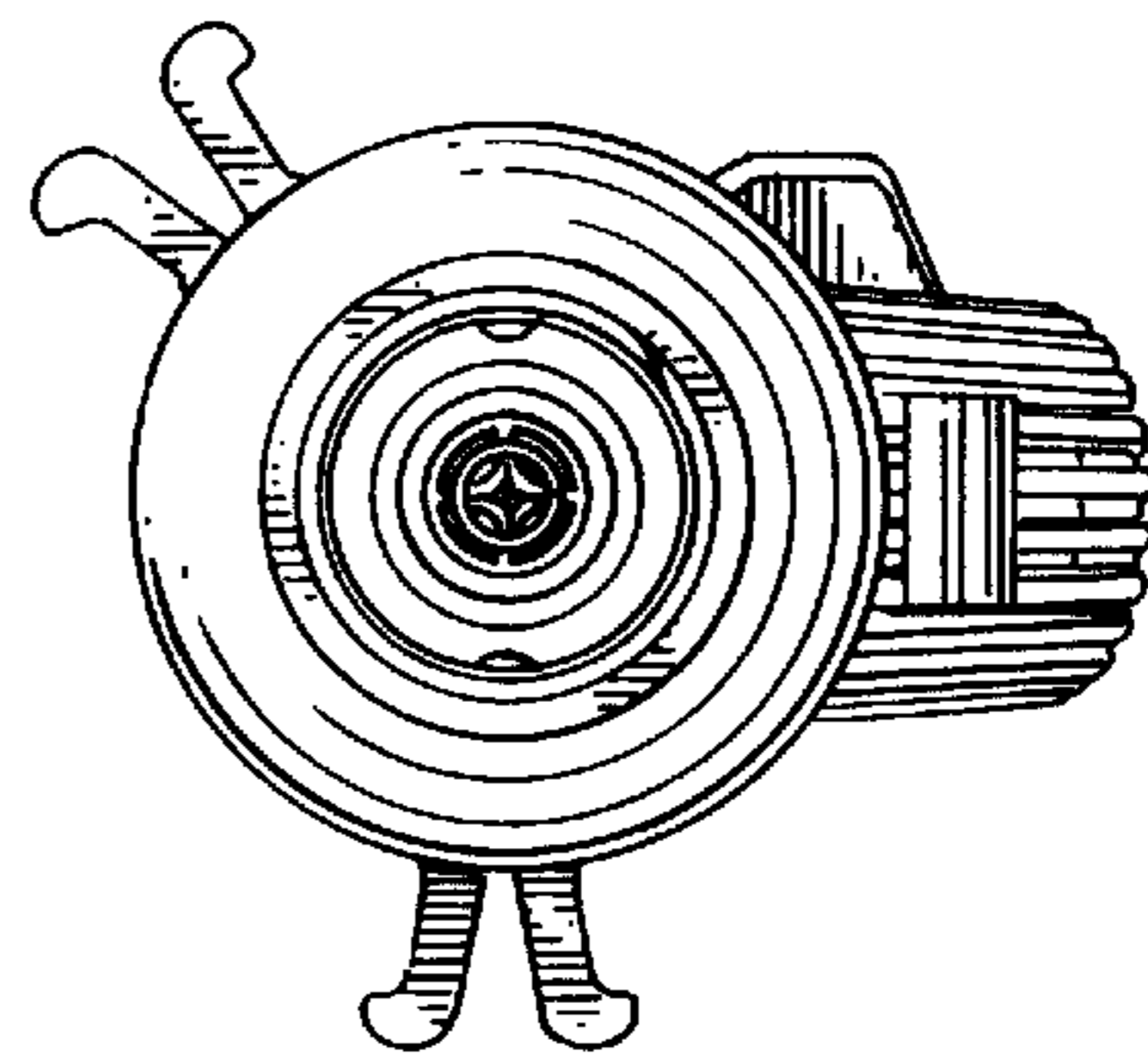


FIG. 5

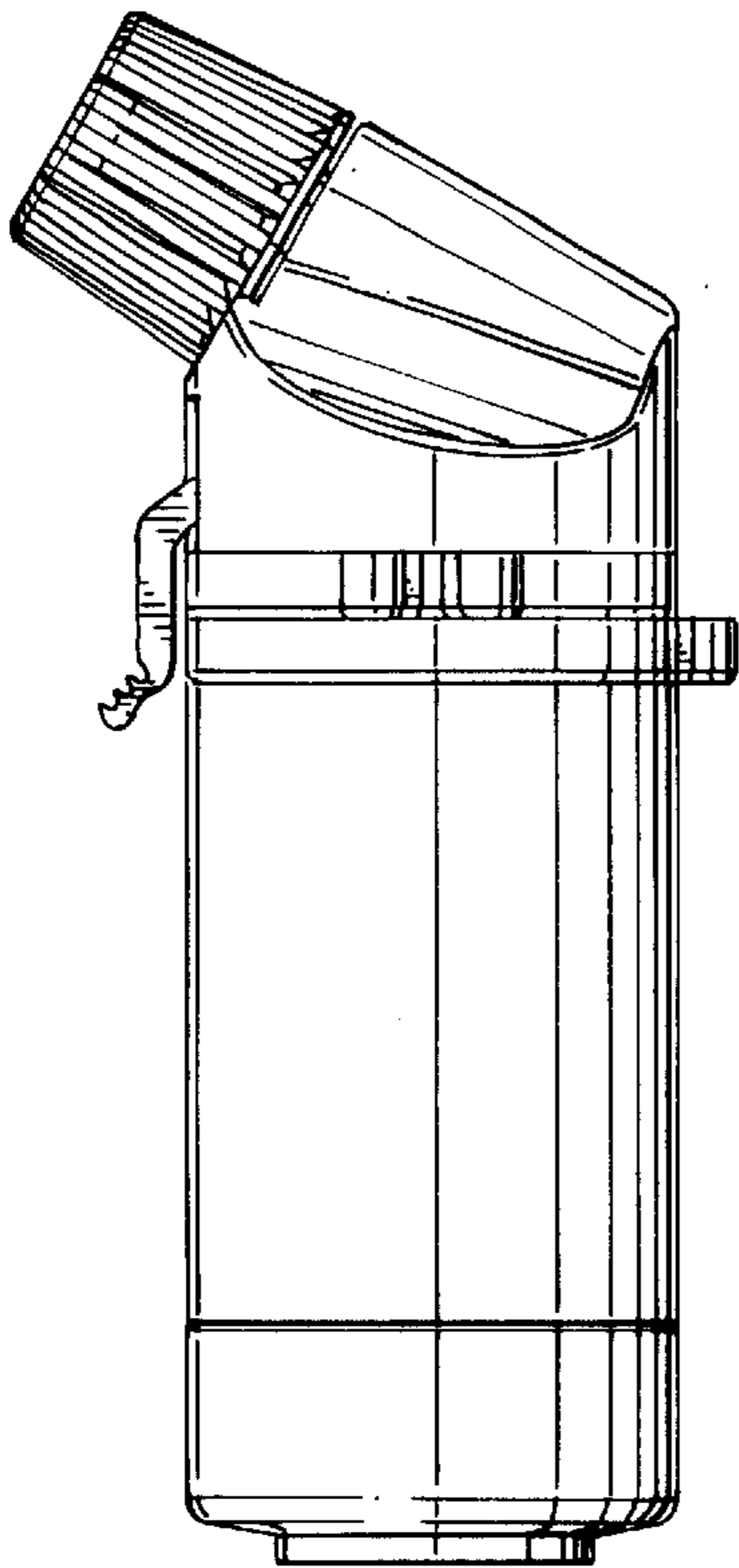


FIG. 6

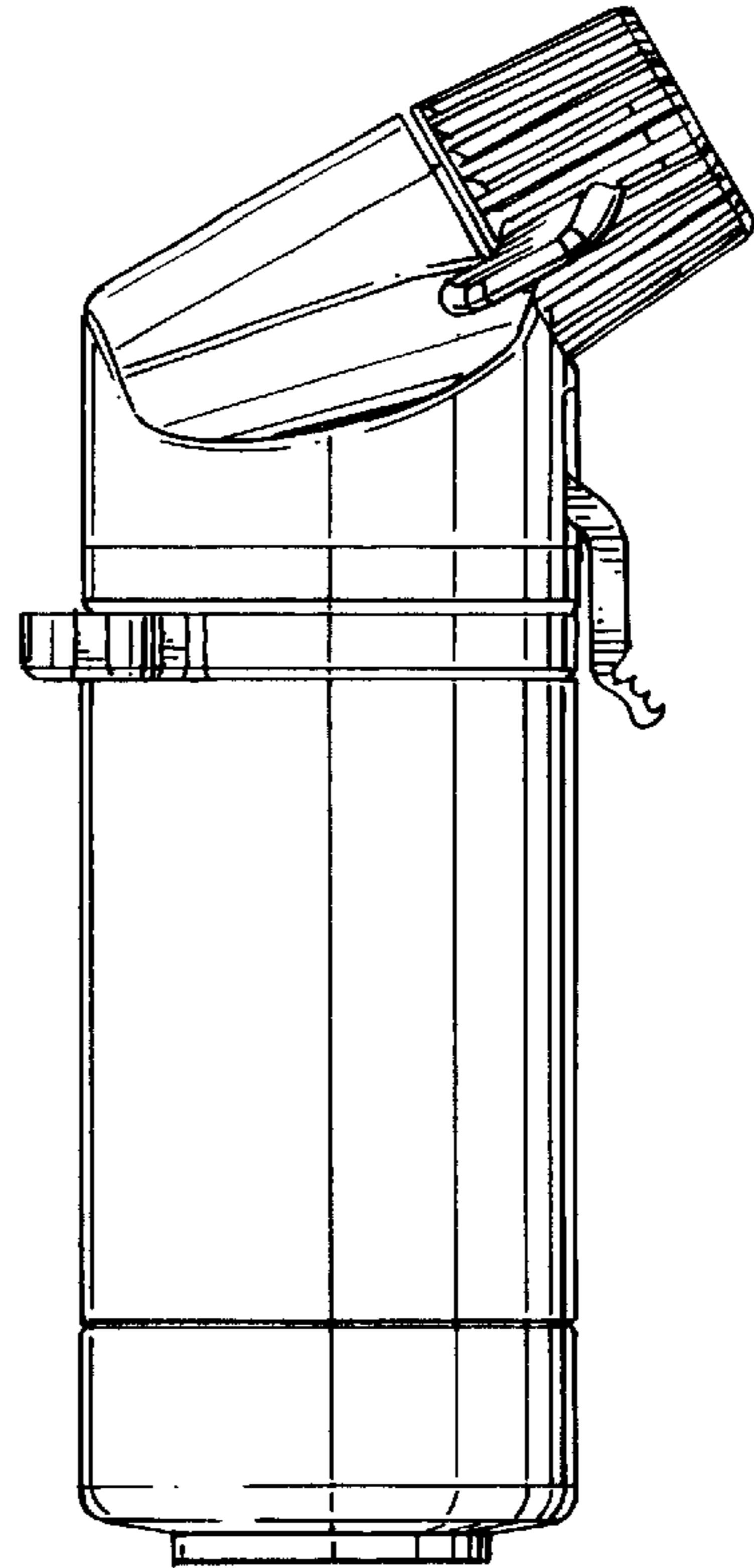


FIG. 7

