



US00D443672S

(12) **United States Design Patent**
Yager

(10) **Patent No.:** **US D443,672 S**

(45) **Date of Patent:** **** Jun. 12, 2001**

(54) **TENT POLE GROUND ANCHOR AND SUPPORT DEVICE**

(74) *Attorney, Agent, or Firm*—Hovey, Williams, Timmons & Collins

(76) **Inventor:** **Ronald L. Yager**, 304 E. Central, Richmond, KS (US) 66080

(57) **CLAIM**

(**) **Term:** **14 Years**

The ornamental design for a tent pole ground anchor and support device, as shown and described.

(21) **Appl. No.:** **29/117,715**

DESCRIPTION

(22) **Filed:** **Jan. 31, 2000**

FIG. 1 is a perspective view of a first embodiment of a tent pole ground anchor and support device embodying my new design;

(51) **LOC (7) Cl.** **21-04**

FIG. 2 is a top plan view of the first embodiment;

(52) **U.S. Cl.** **D21/839**

FIG. 3 is a side elevational view of the first embodiment;

(58) **Field of Search** D21/839, 834-838; 135/114, 116, 99, 137, 908, 151

FIG. 4 is a side elevational view opposite that shown in FIG. 3;

(56) **References Cited**

U.S. PATENT DOCUMENTS

224,200	2/1880	Mayer .	
1,669,611	* 5/1928	Goldberg D21/839
2,185,629	1/1940	Dixon .	
2,922,653	1/1960	O'Brien .	
2,928,405	3/1960	Lawson .	
4,782,846	11/1988	Ting .	
4,951,327	* 8/1990	Del Gorio 135/114
5,158,103	* 10/1992	Leu 135/116
5,634,482	* 6/1997	Martin 135/99
5,806,549	* 9/1998	Love 135/143
5,964,237	* 10/1999	Lin 135/908
6,068,008	* 5/2000	Caldwell 135/151

FIG. 5 is an end elevational view of the first embodiment; FIG. 6 is an end elevational view opposite that shown in FIG. 5;

FIG. 7 is a bottom plan view of the first embodiment;

FIG. 8 is a perspective view of a second embodiment of a tent pole ground anchor and support device embodying my new design;

FIG. 9 is a top plan view of the second embodiment;

FIG. 10 is a side elevational view of the second embodiment;

FIG. 11 is a side elevational view opposite that shown in FIG. 10;

FIG. 12 is an end elevational view of the second embodiment;

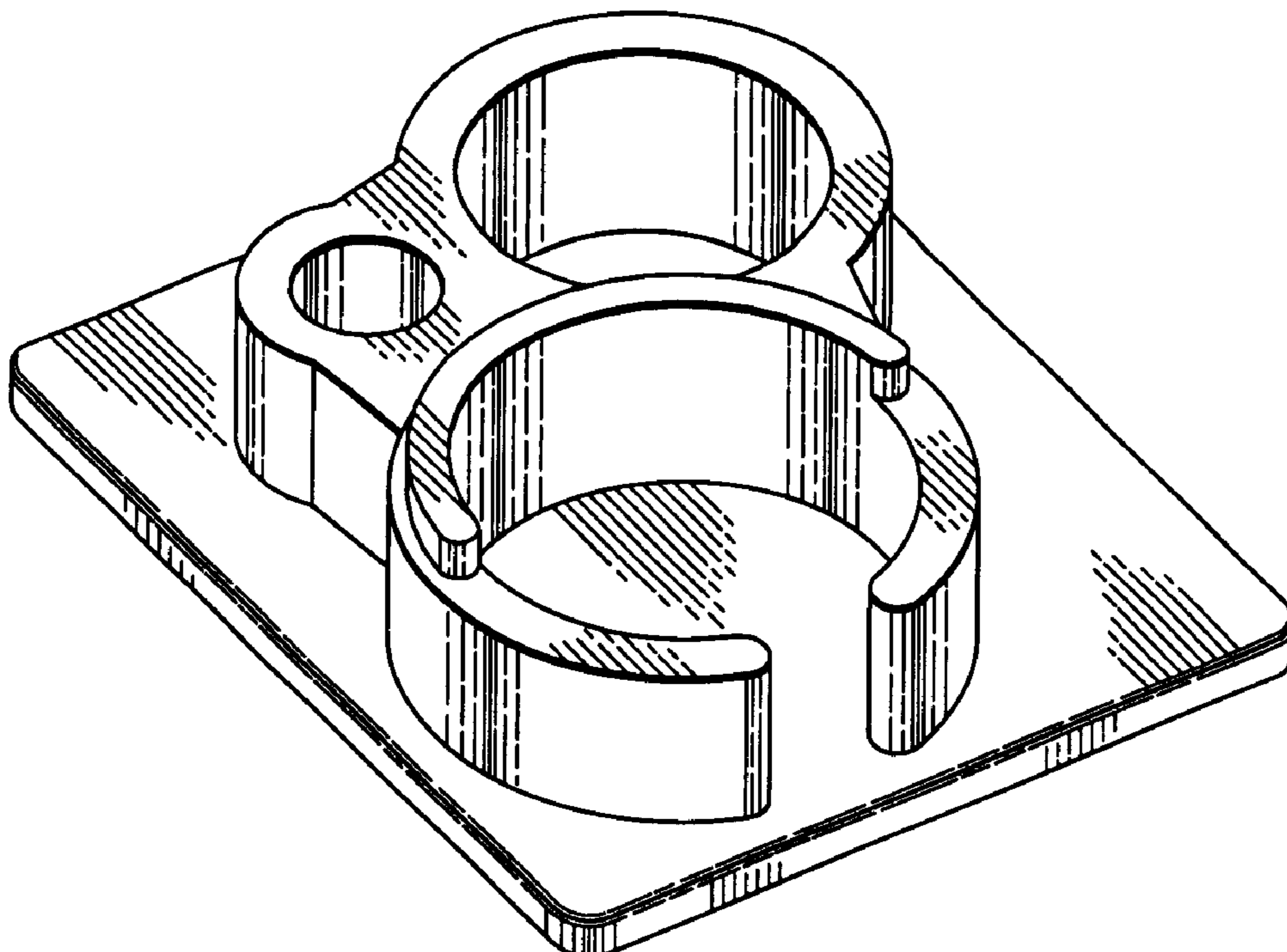
FIG. 13 is an end elevational view opposite that shown in FIG. 12; and,

FIG. 14 is a bottom plan view of the second embodiment.

* cited by examiner

Primary Examiner—Raphael Barkai

1 Claim, 2 Drawing Sheets



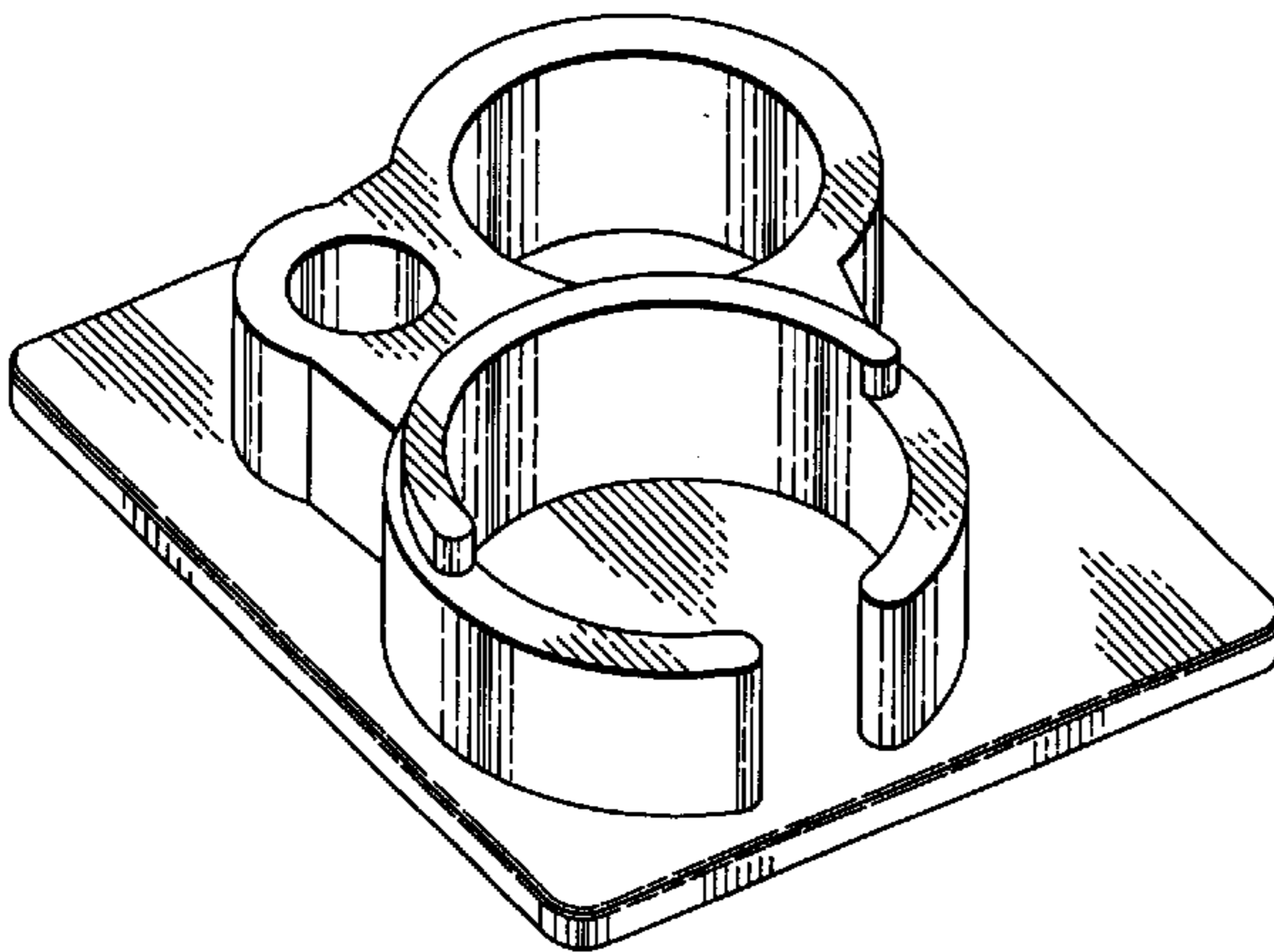


Fig. 1.

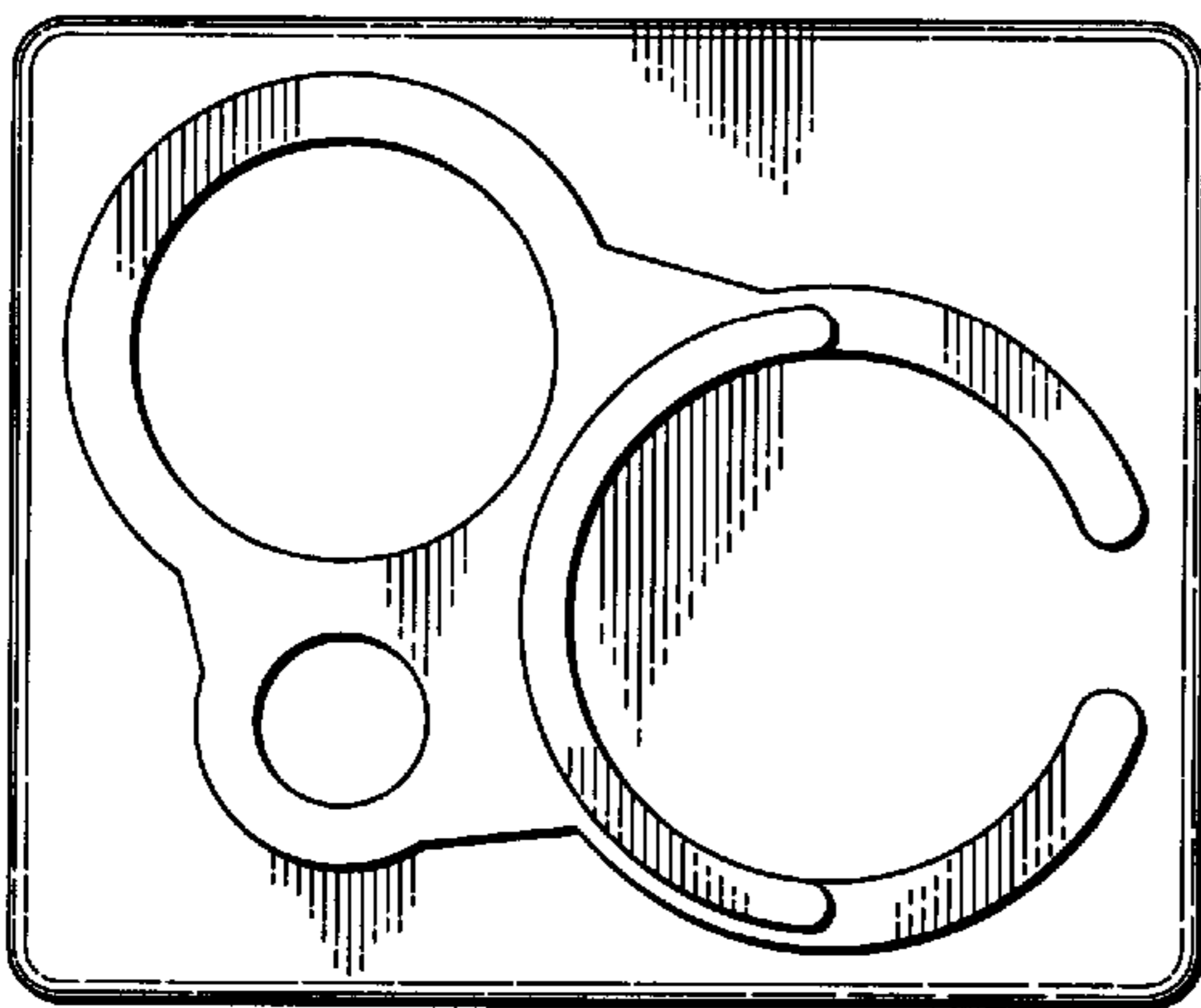


Fig. 2.

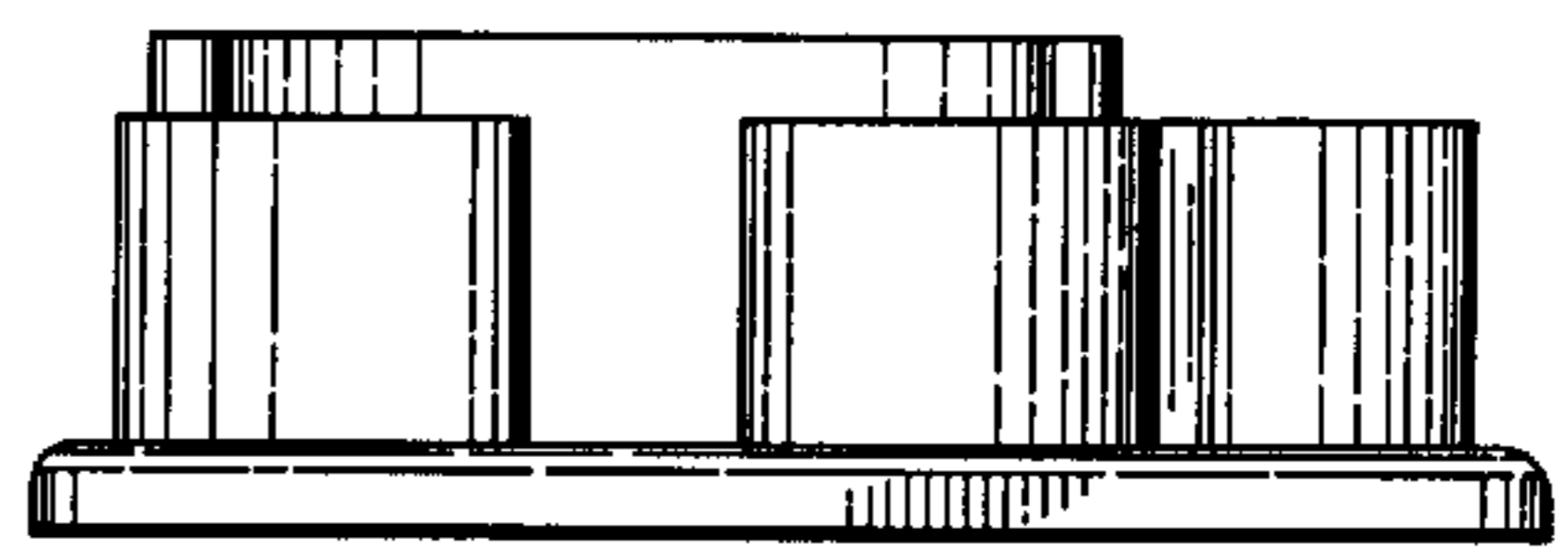


Fig. 5.

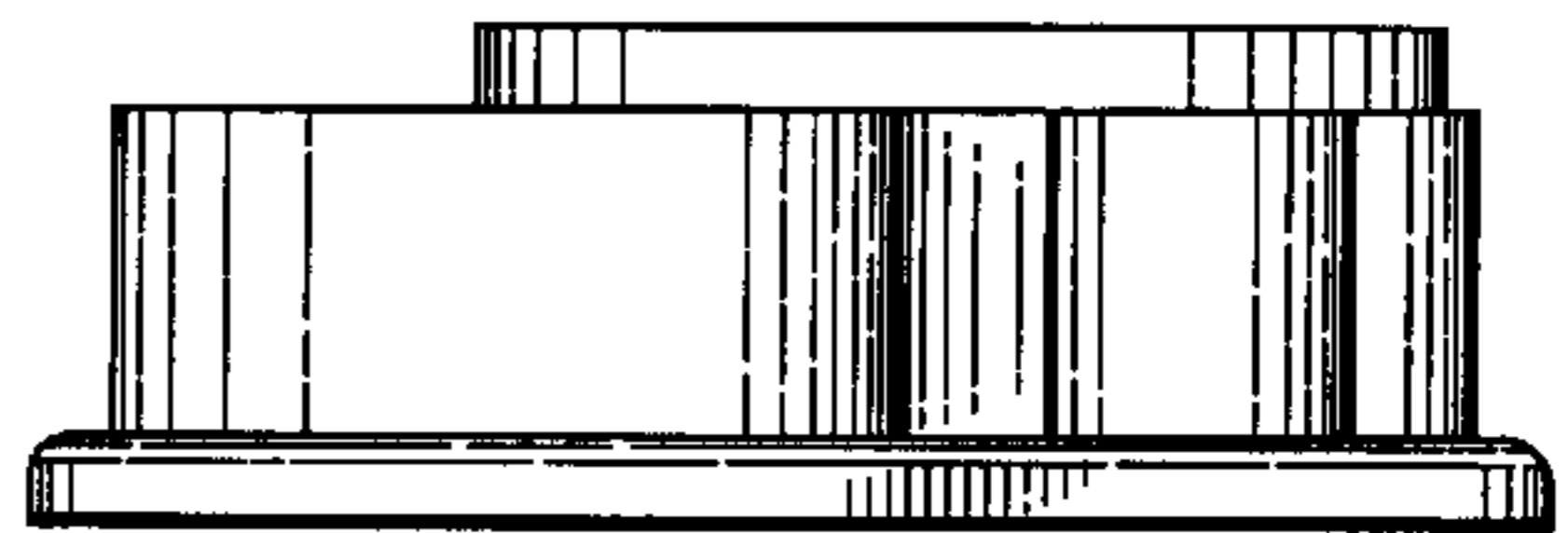


Fig. 6.

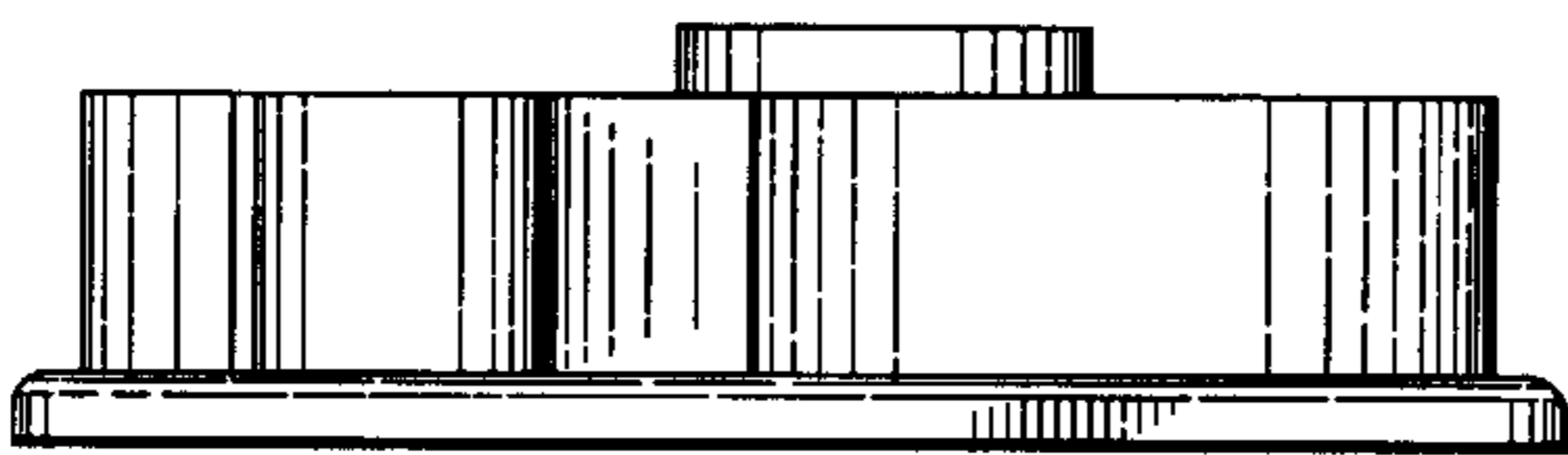


Fig. 3.



Fig. 4.

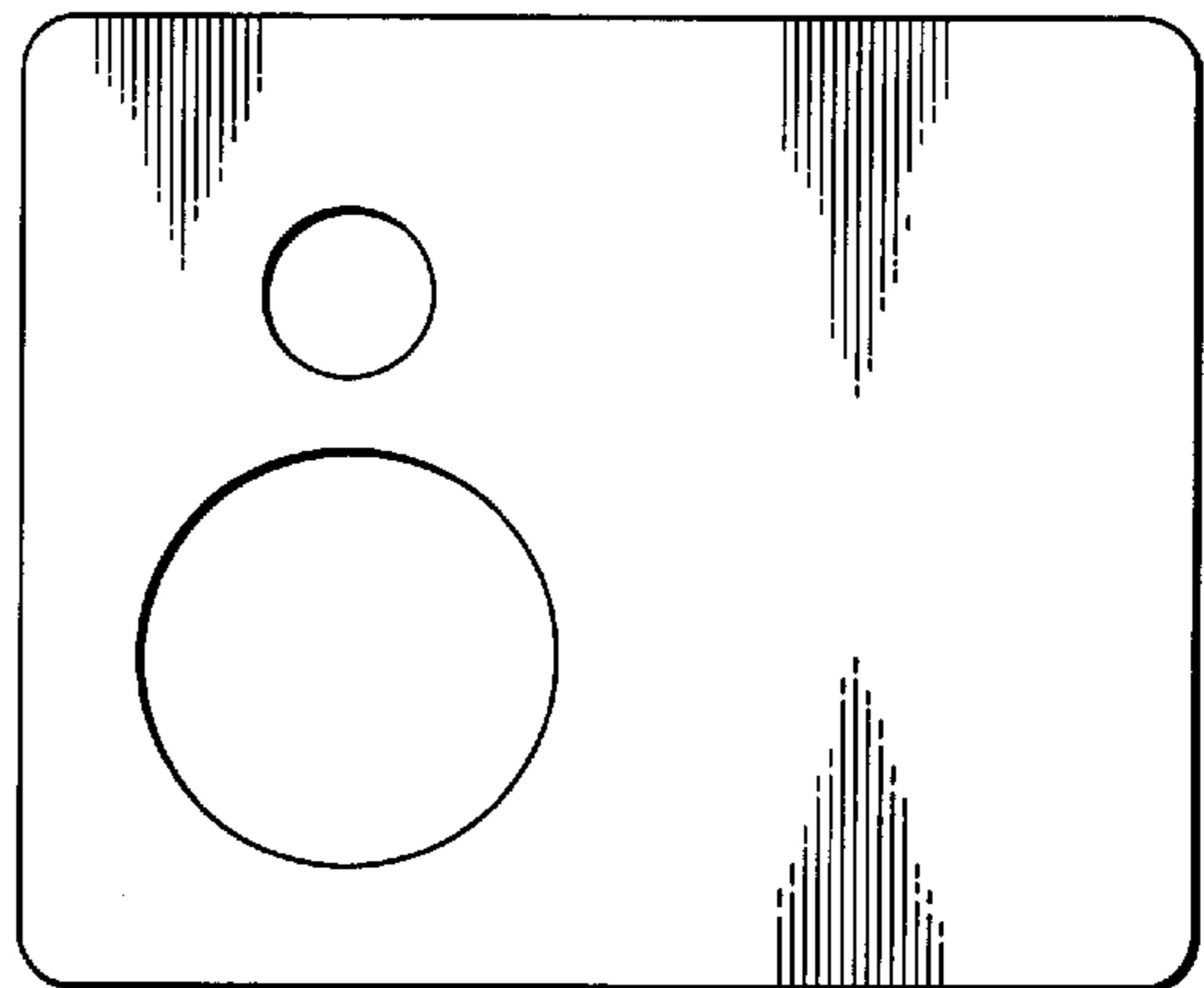


Fig. 7.

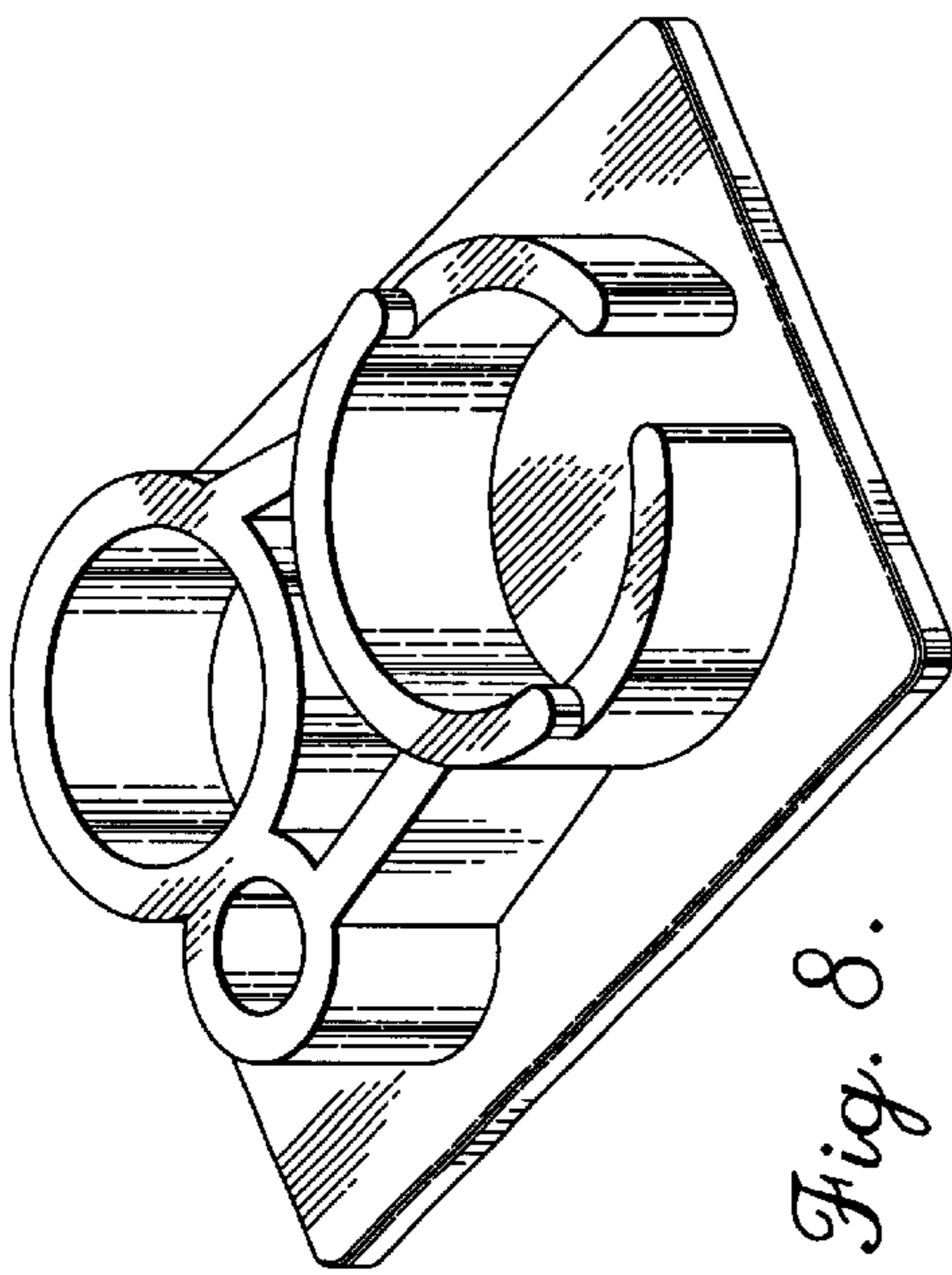


Fig. 8.

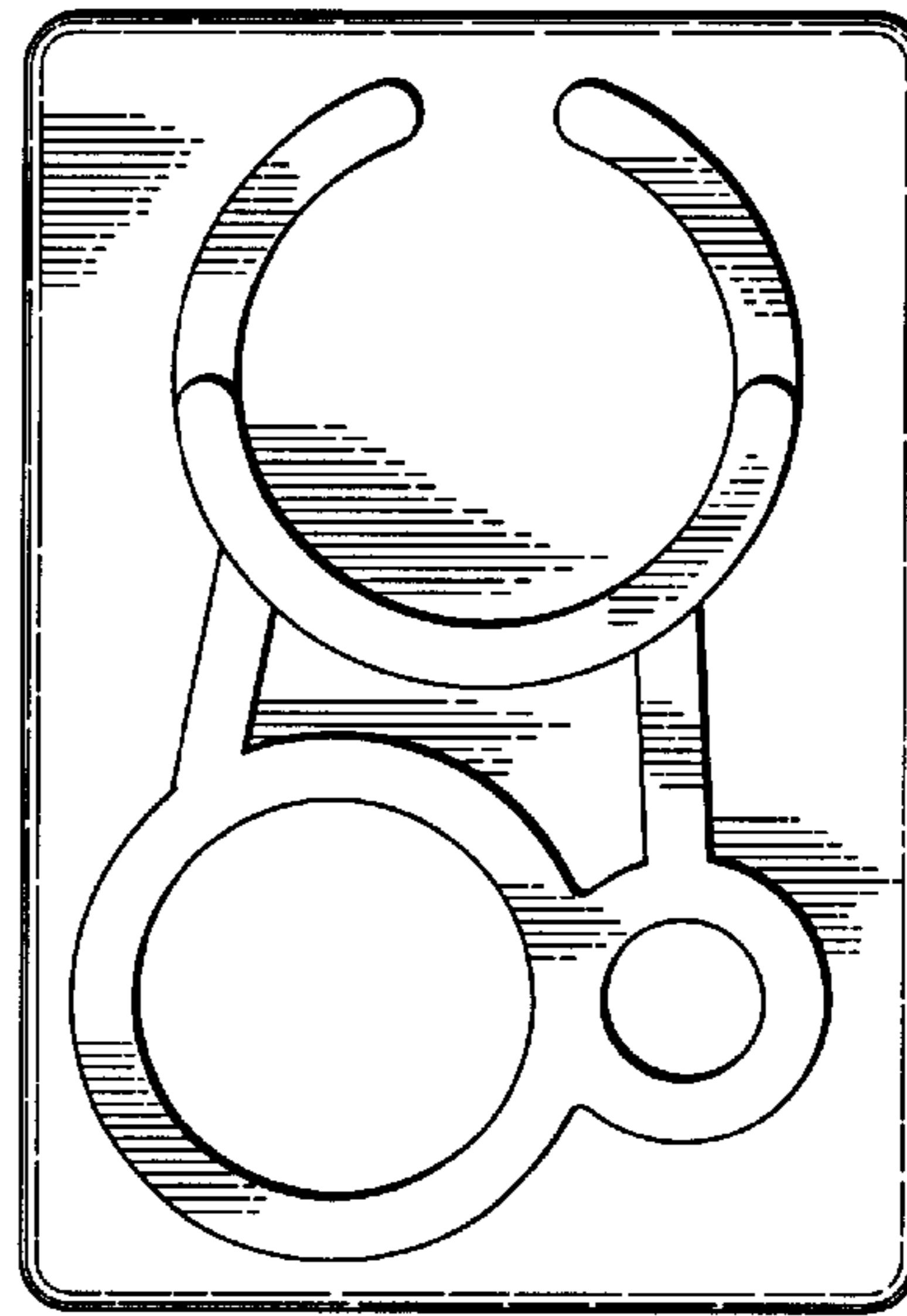


Fig. 9.

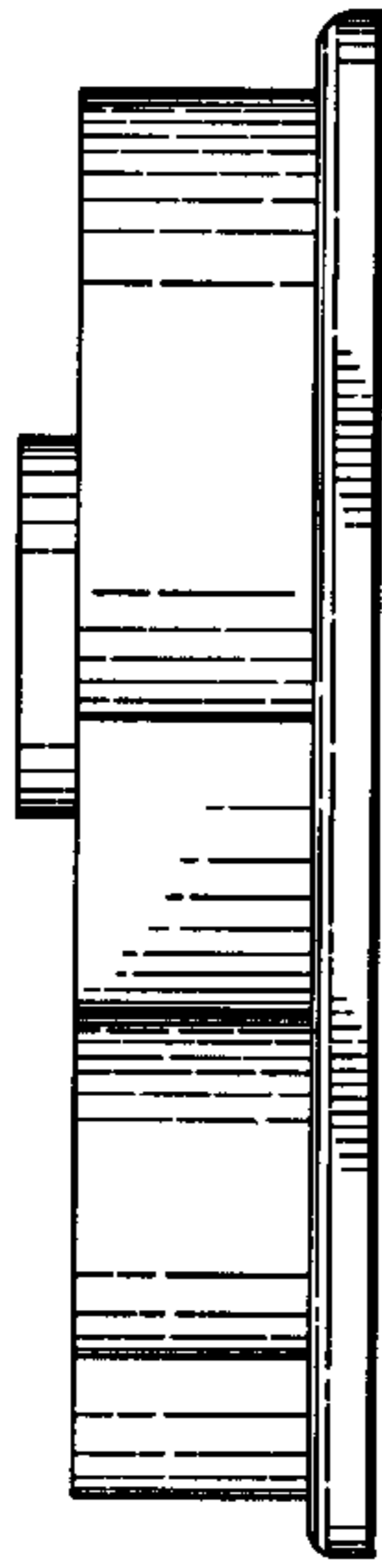


Fig. 10.

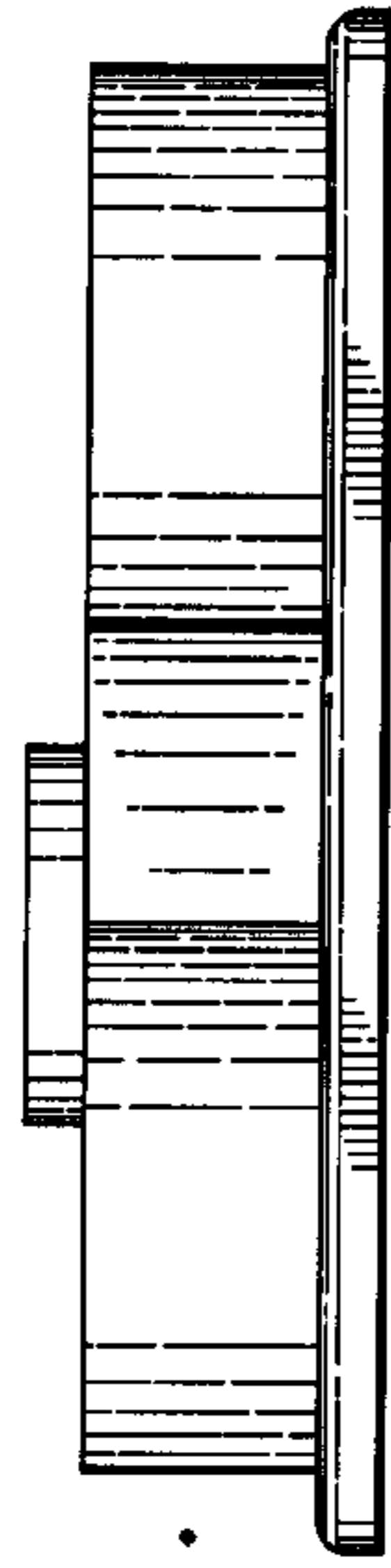


Fig. 11.

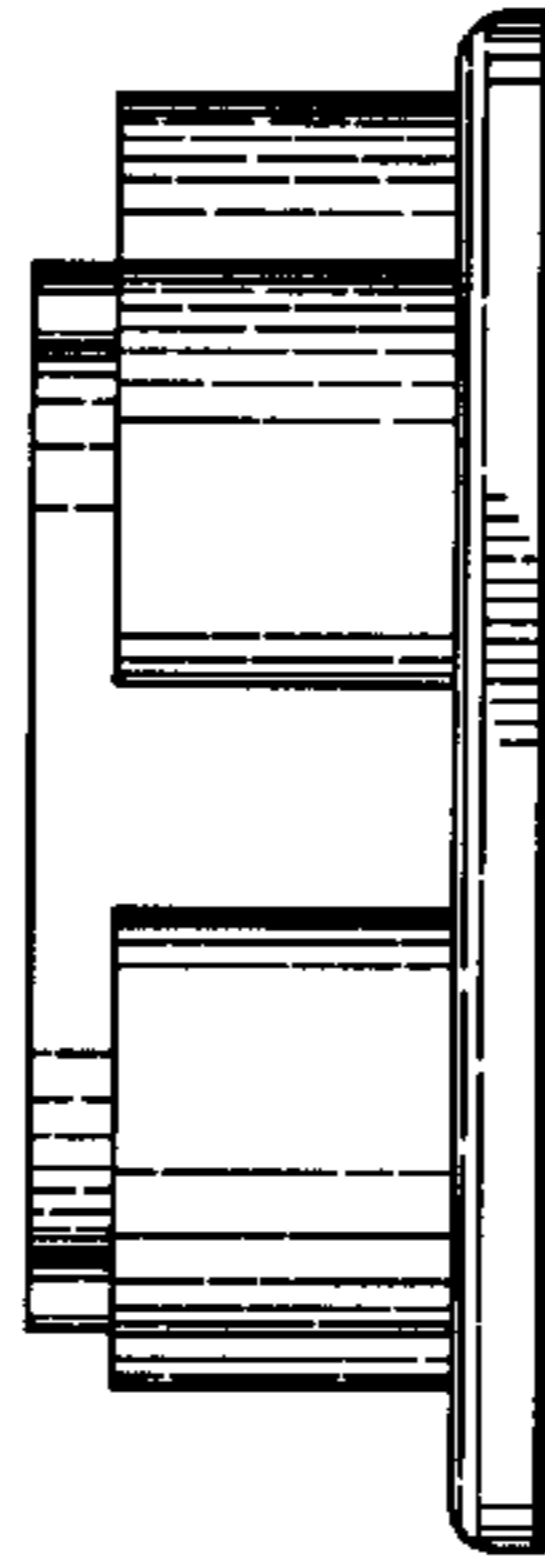


Fig. 12.

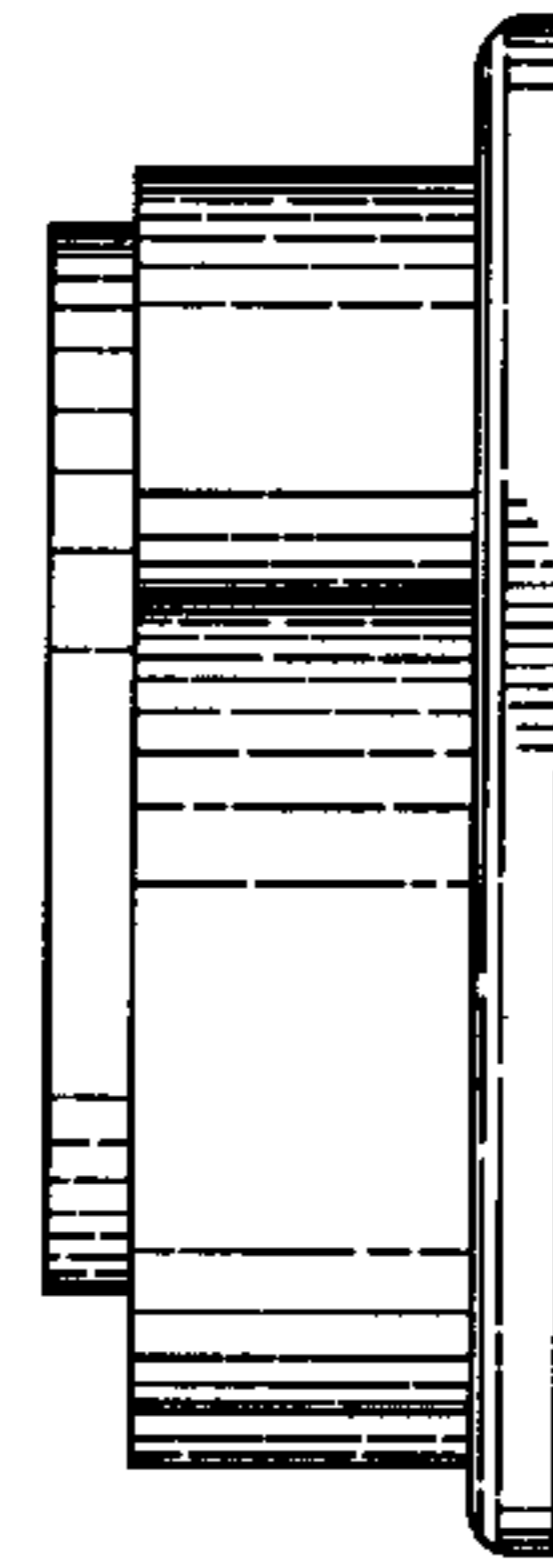


Fig. 13.

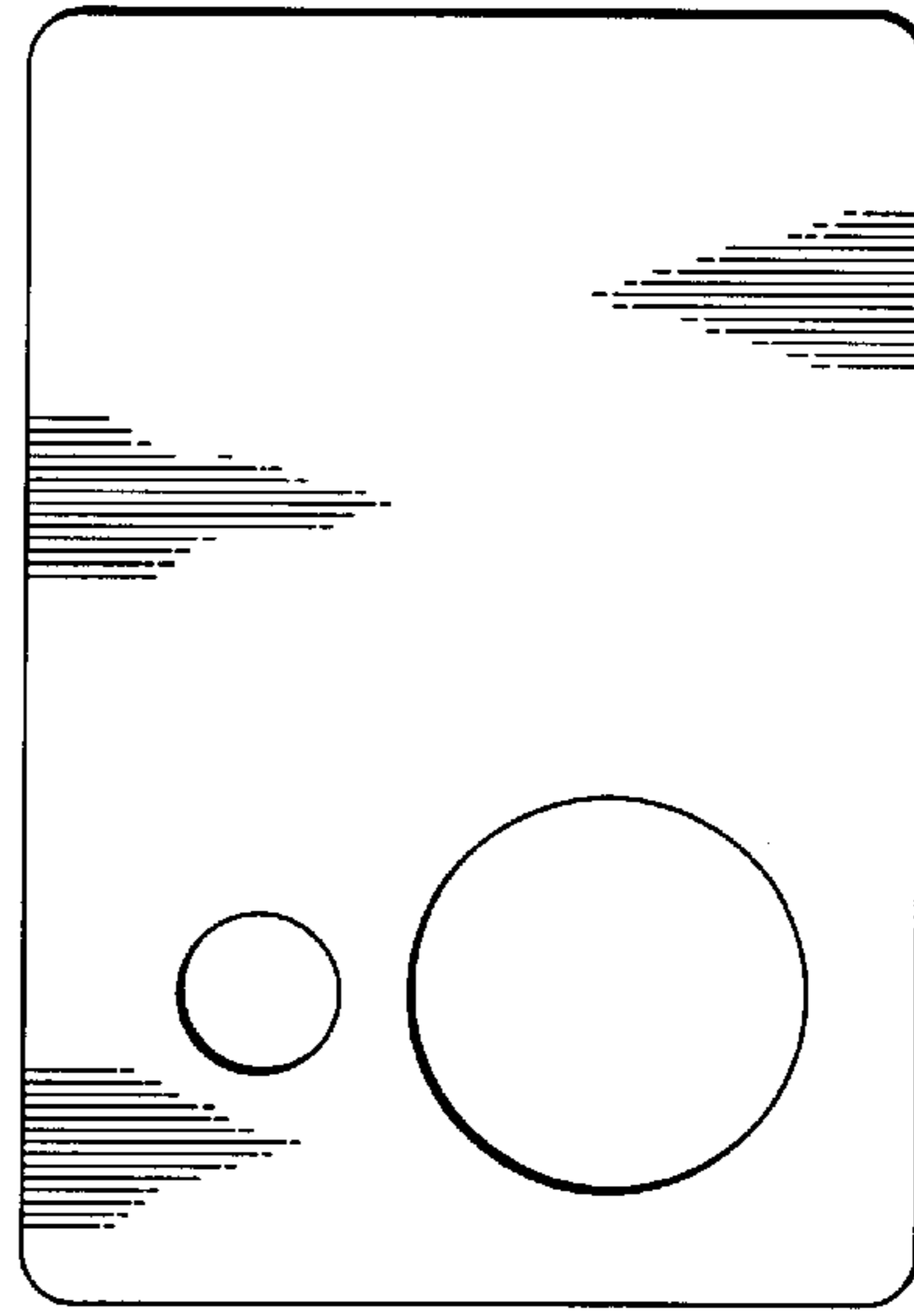


Fig. 14.