



US00D443664S

(12) **United States Design Patent**  
**Olson**

(10) **Patent No.:** **US D443,664 S**

(45) **Date of Patent:** **\*\* Jun. 12, 2001**

(54) **GOLF CLUB PUTTER PIVOTAL HEAD FOR ADJUSTABLE INVERTED FACE PITCH**

(76) **Inventor:** **Craig W. Olson**, P.O. Box 302, Fontana on Geneva Lake, WI (US) 53125

(\*\*) **Term:** **14 Years**

(21) **Appl. No.:** **29/133,024**

(22) **Filed:** **Nov. 21, 2000**

(51) **LOC (7) Cl.** ..... **21-02**

(52) **U.S. Cl.** ..... **D21/736**

(58) **Field of Search** ..... D21/736-746;  
473/324, 327-331, 340, 341, 251-256

(56) **References Cited**

**U.S. PATENT DOCUMENTS**

- D. 259,134 \* 5/1981 Bernhardt ..... D21/738
- D. 298,447 \* 11/1988 Cook ..... D21/741
- D. 301,362 \* 5/1989 Zolot ..... D21/738

D. 405,490 \* 2/1999 Hogan et al. .... D21/736

\* cited by examiner

*Primary Examiner*—Mitchell Siegel

(57) **CLAIM**

The ornamental design for an golf club putter pivotal head for adjustable inverted face pitch, as shown and described.

**DESCRIPTION**

FIG. 1 is a top elevational view of a golf club putter pivotal head for adjustable inverted face pitch showing my new design;

FIG. 2 is an front elevational view thereof;

FIG. 3 is a rear elevational view thereof;

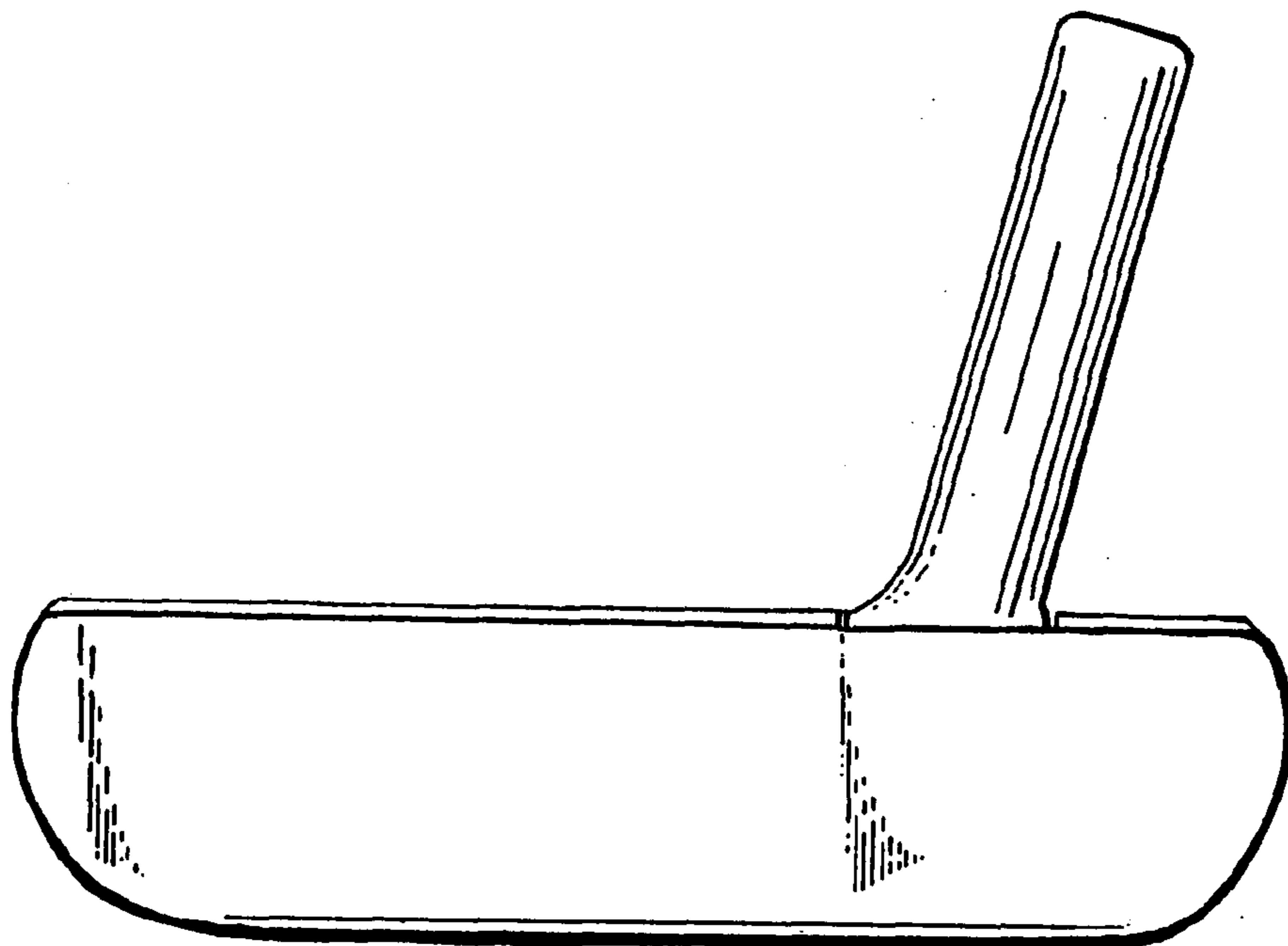
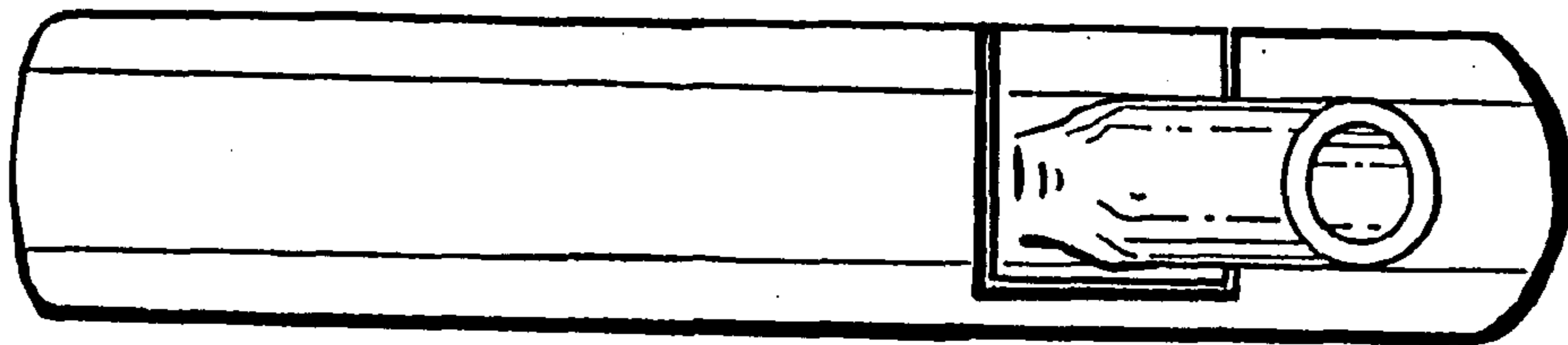
FIG. 4 is a bottom elevational view thereof;

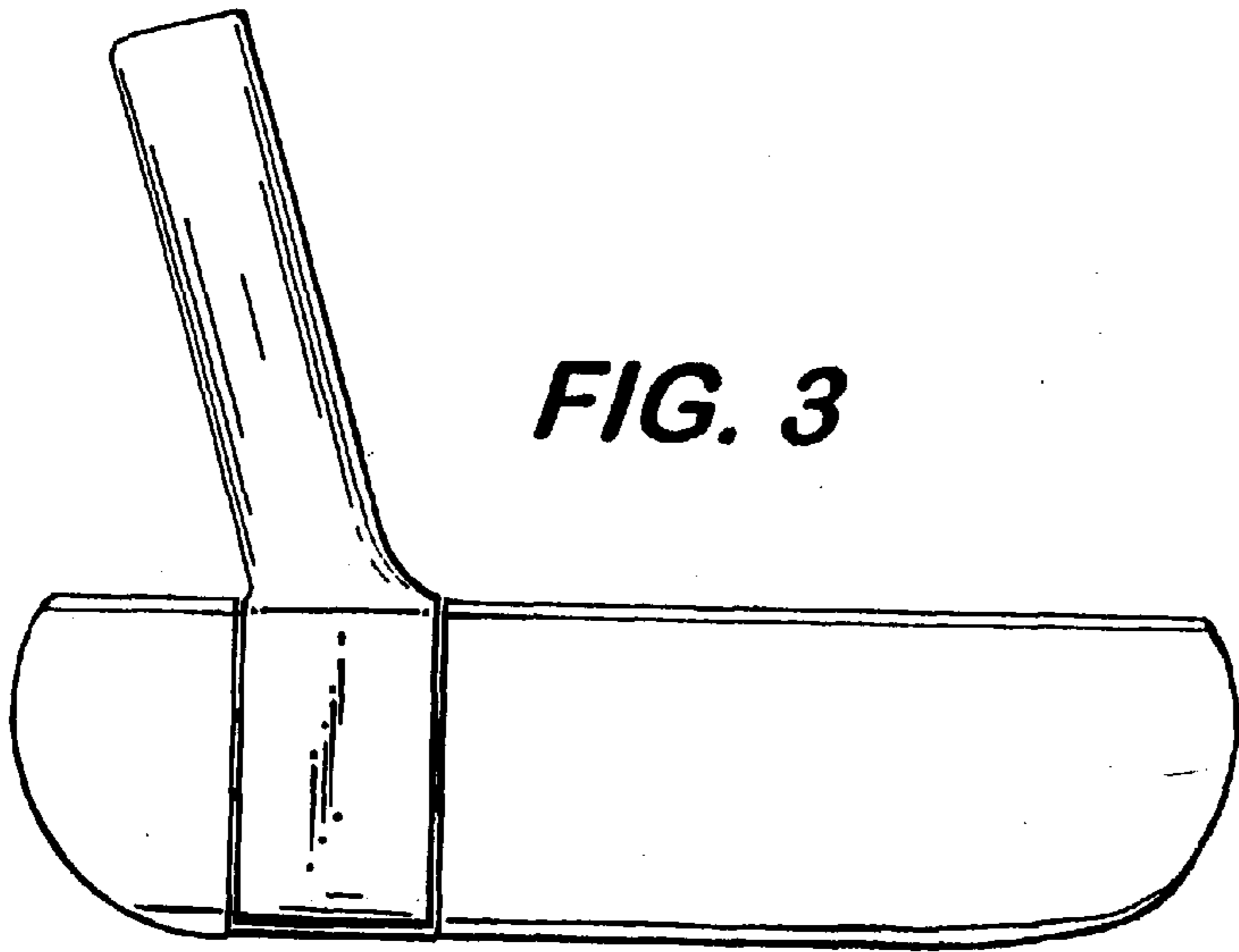
FIG. 5 is a left end elevational view thereof;

FIG. 6 is a right end elevational view thereof; and,

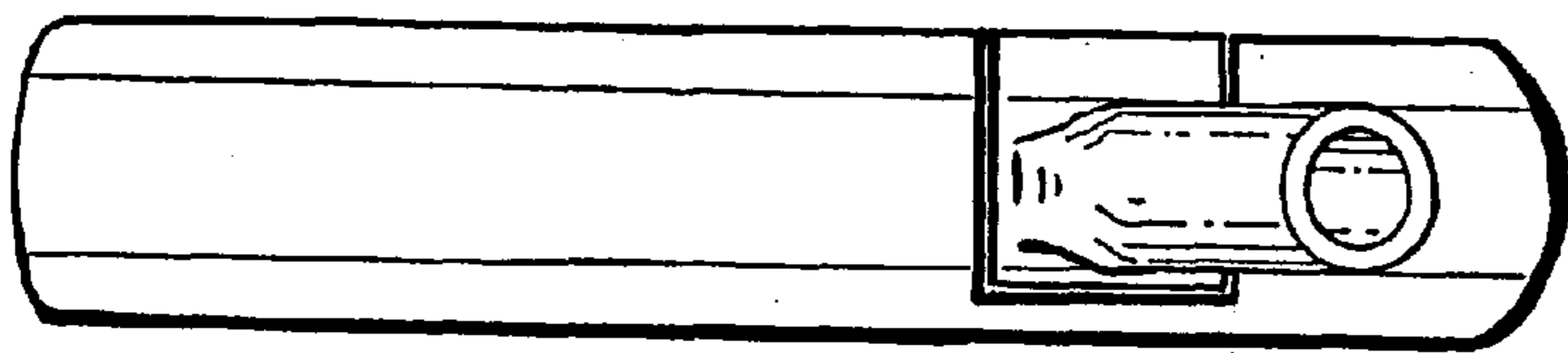
FIG. 7 is a left end of the golf club putter head as shown in FIG. 5 in an adjustable inverted face in a condition of use for means to select inverted face pitch in application thereof.

**1 Claim, 1 Drawing Sheet**

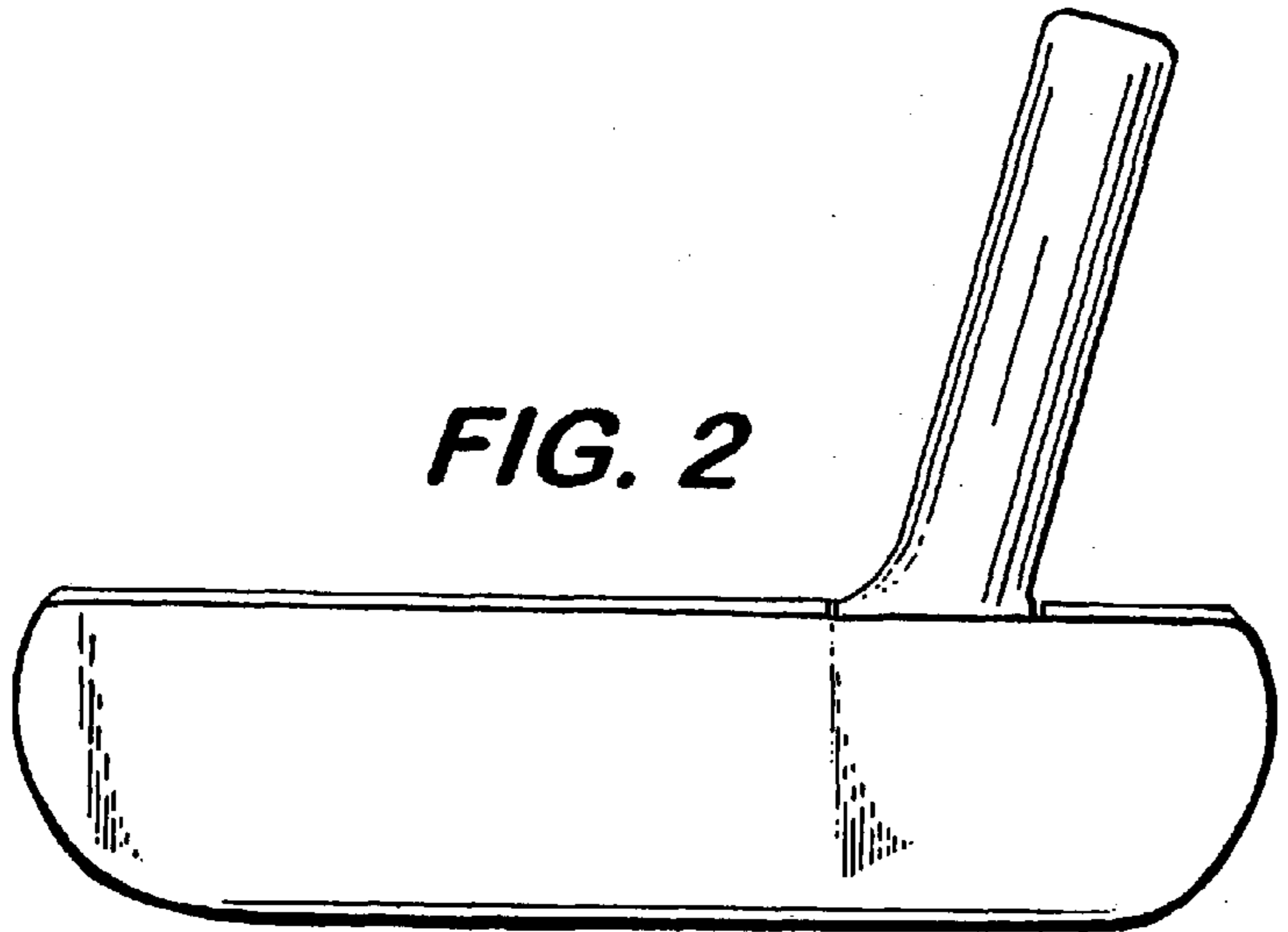




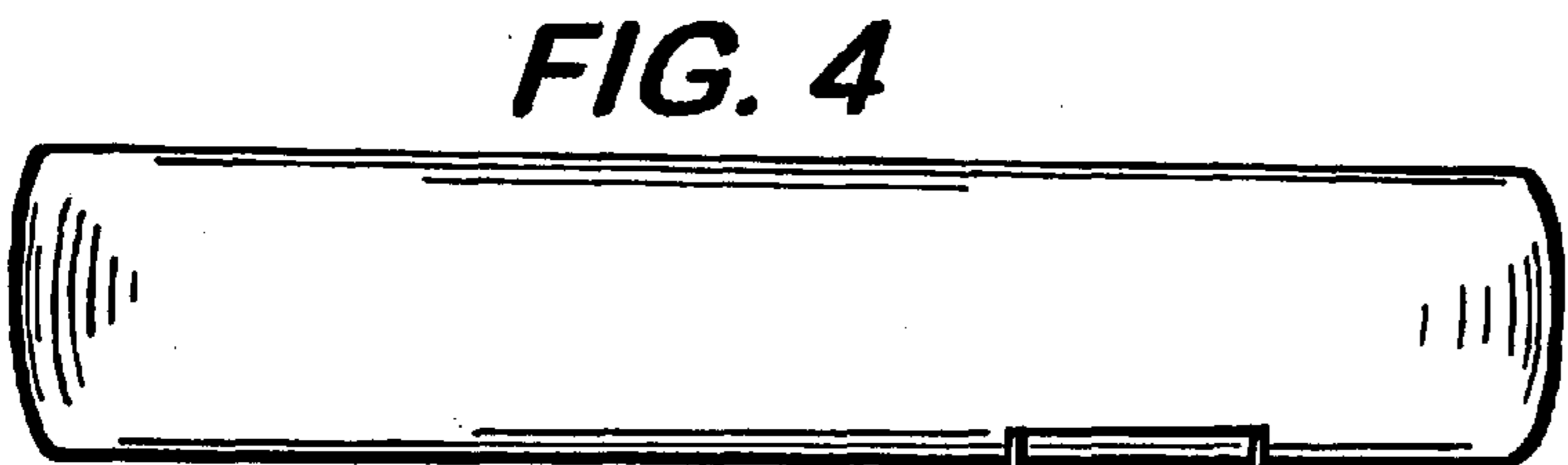
**FIG. 3**



**FIG. 1**

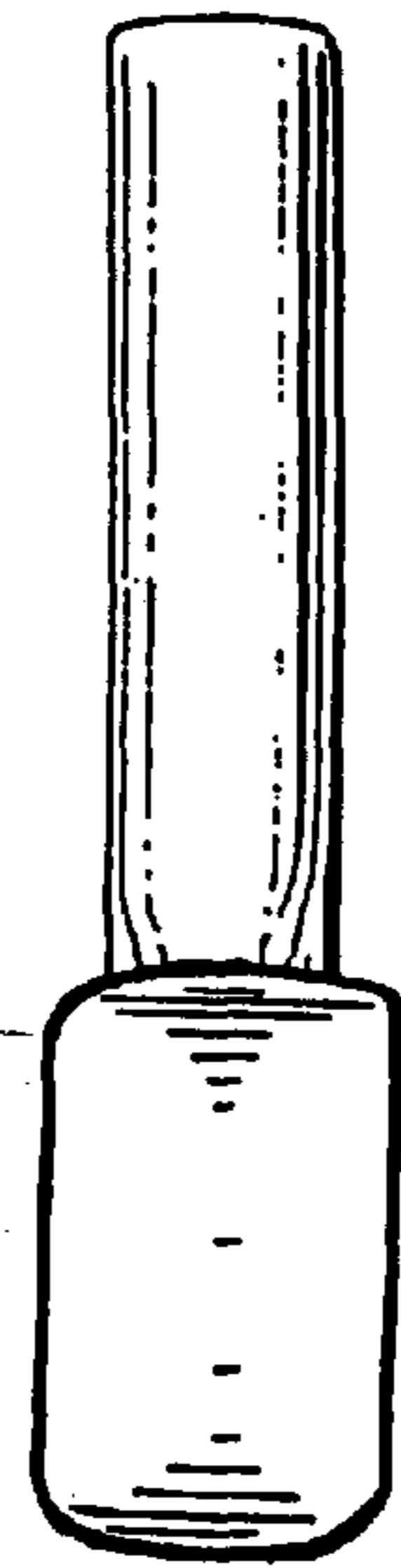


**FIG. 2**

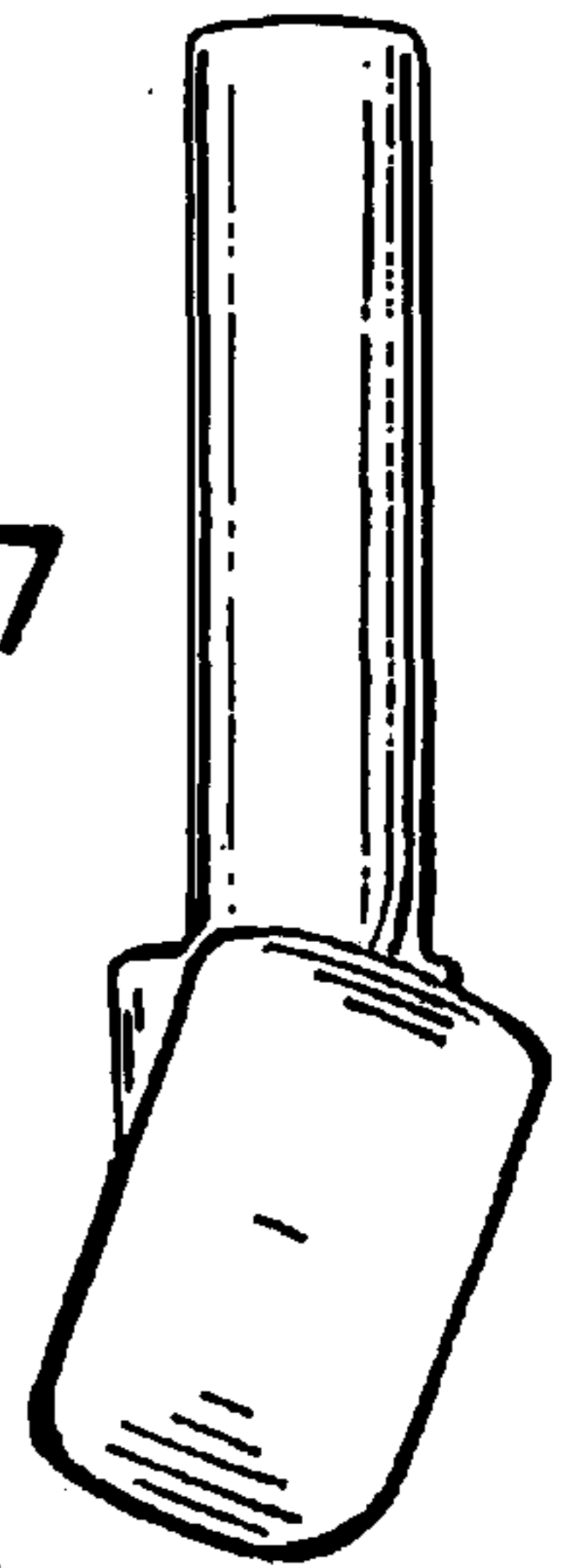


**FIG. 4**

**FIG. 5**



**FIG. 7**



**FIG. 6**

