



US00D443659S

(12) **United States Design Patent**
Jang

(10) **Patent No.:** **US D443,659 S**

(45) **Date of Patent:** **** Jun. 12, 2001**

(54) **BUILDING BLOCK WITH AESTHETIC WOOD FACADE**

(75) **Inventor:** **Jong Chul Jang, Kyunggido (KR)**

(73) **Assignee:** **Gana Block Co., Ltd., Inchon-Shi (KR)**

(**) **Term:** **14 Years**

(21) **Appl. No.:** **29/122,069**

(22) **Filed:** **Apr. 19, 2000**

(51) **LOC (7) Cl.** **21-01**

(52) **U.S. Cl.** **D21/500; D25/113**

(58) **Field of Search** **D21/484-505; D25/113-118; 446/85, 95, 111-128; 52/590.1, 590.2, 590.3, 591.1, 592.1, 592.4, 592.5, 592.6, 596, 601, 603-612**

(56) **References Cited**

U.S. PATENT DOCUMENTS

- Re. 22,913 * 9/1947 Wells .
- D. 36,804 * 2/1904 Palmer D25/113
- D. 238,168 * 12/1975 Ketcham D25/113
- D. 329,066 * 9/1992 Jarnros D21/500
- D. 379,669 * 6/1997 Karanikas D25/113
- 1,898,297 * 2/1933 Fox 446/122
- 2,201,110 * 5/1940 Makram .

- 2,472,363 * 6/1949 Blackinton .
- 2,861,388 * 11/1958 Favaretto 446/124
- 3,791,090 * 2/1974 Kniefel .
- 4,690,656 * 9/1987 Friedman et al. 446/95
- 5,230,195 * 7/1993 Sease 52/592.6

OTHER PUBLICATIONS

Toys and Novelties, P47, Aug. 1962.*

* cited by examiner

Primary Examiner—Raphael Barkai

(74) *Attorney, Agent, or Firm*—Cardinal Law Group

(57) **CLAIM**

The ornamental design for a building block with aesthetic wood facade, as shown and described.

DESCRIPTION

FIG. 1 is a front perspective view of a building block with an aesthetic wood facade;
 FIG. 2 is a top view thereof;
 FIG. 3 is a front view thereof;
 FIG. 4 is a left side view thereof;
 FIG. 5 is a right side view thereof;
 FIG. 6 is a bottom view thereof; and,
 FIG. 7 is a rear view thereof.

1 Claim, 2 Drawing Sheets

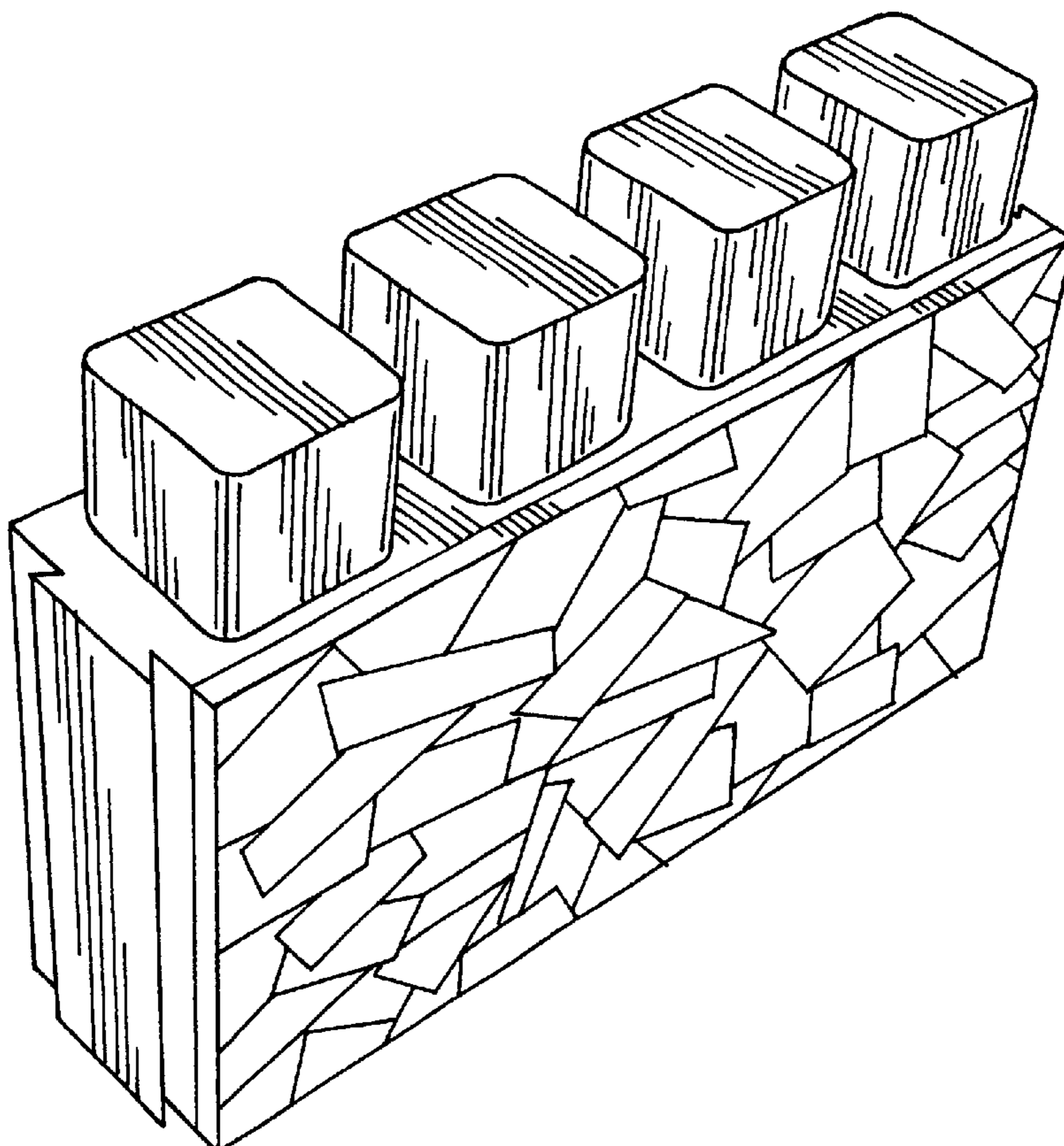


FIG. 1

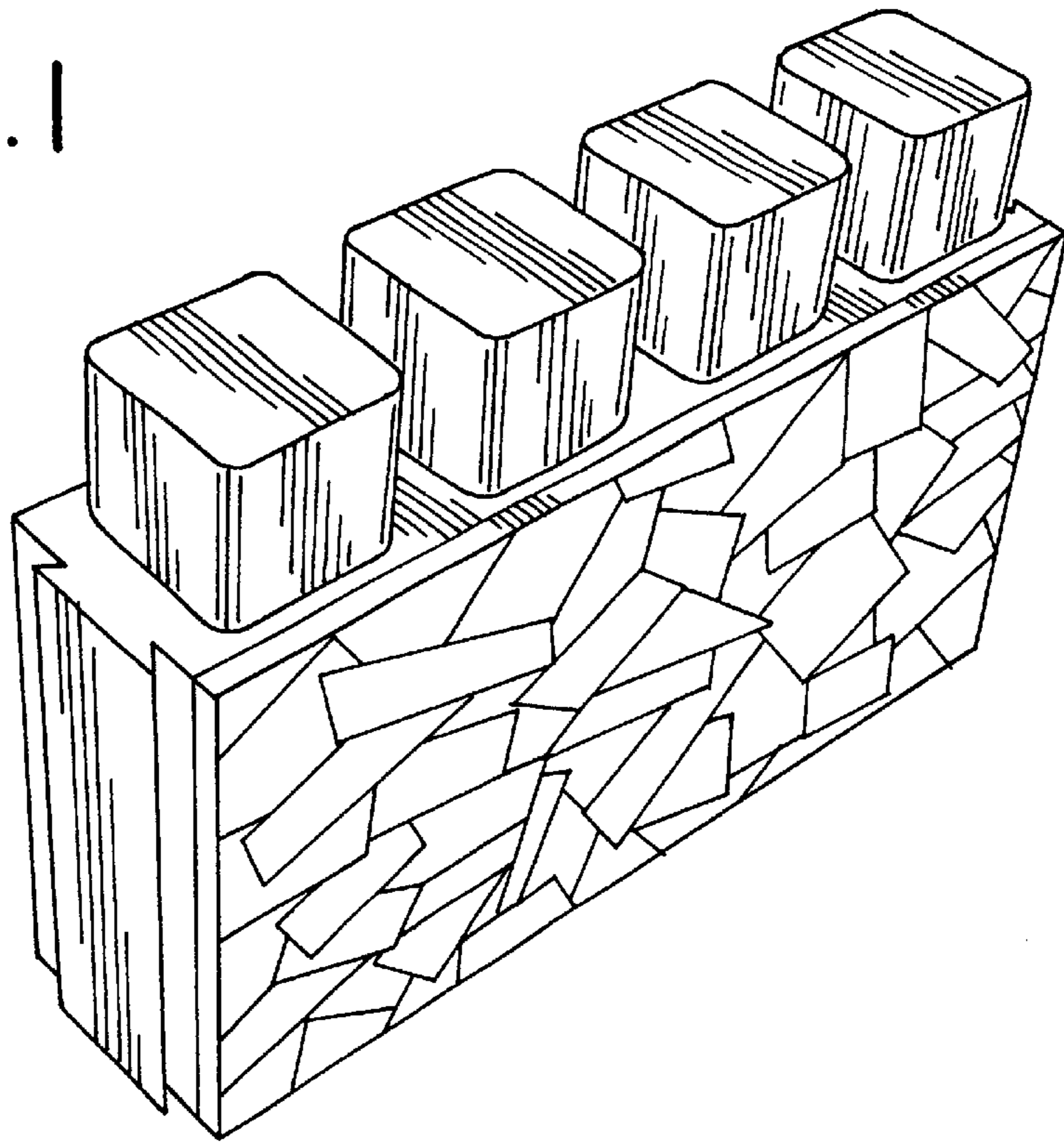


FIG. 2

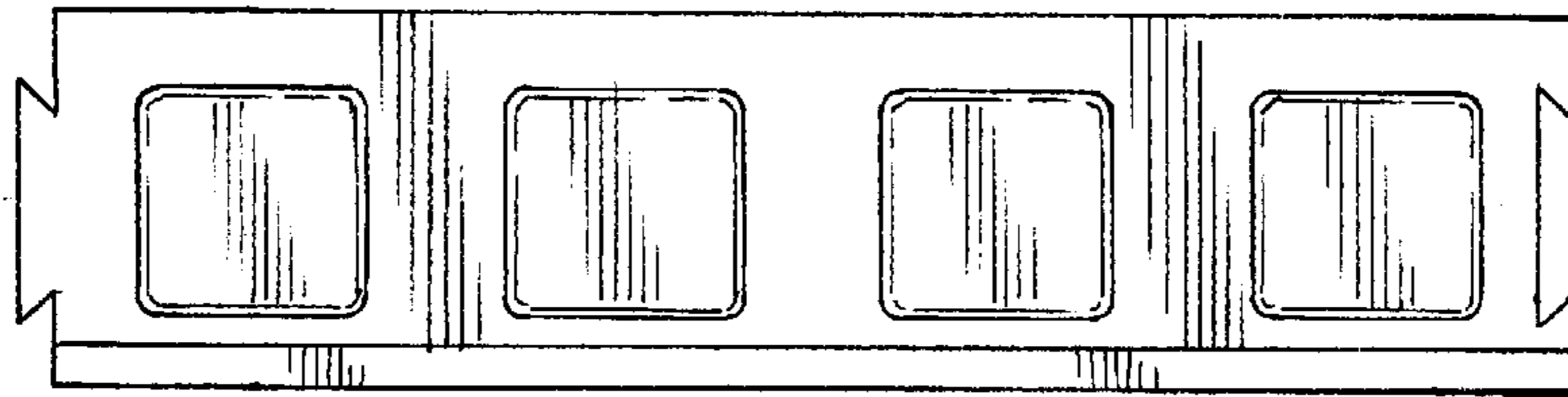


FIG. 3

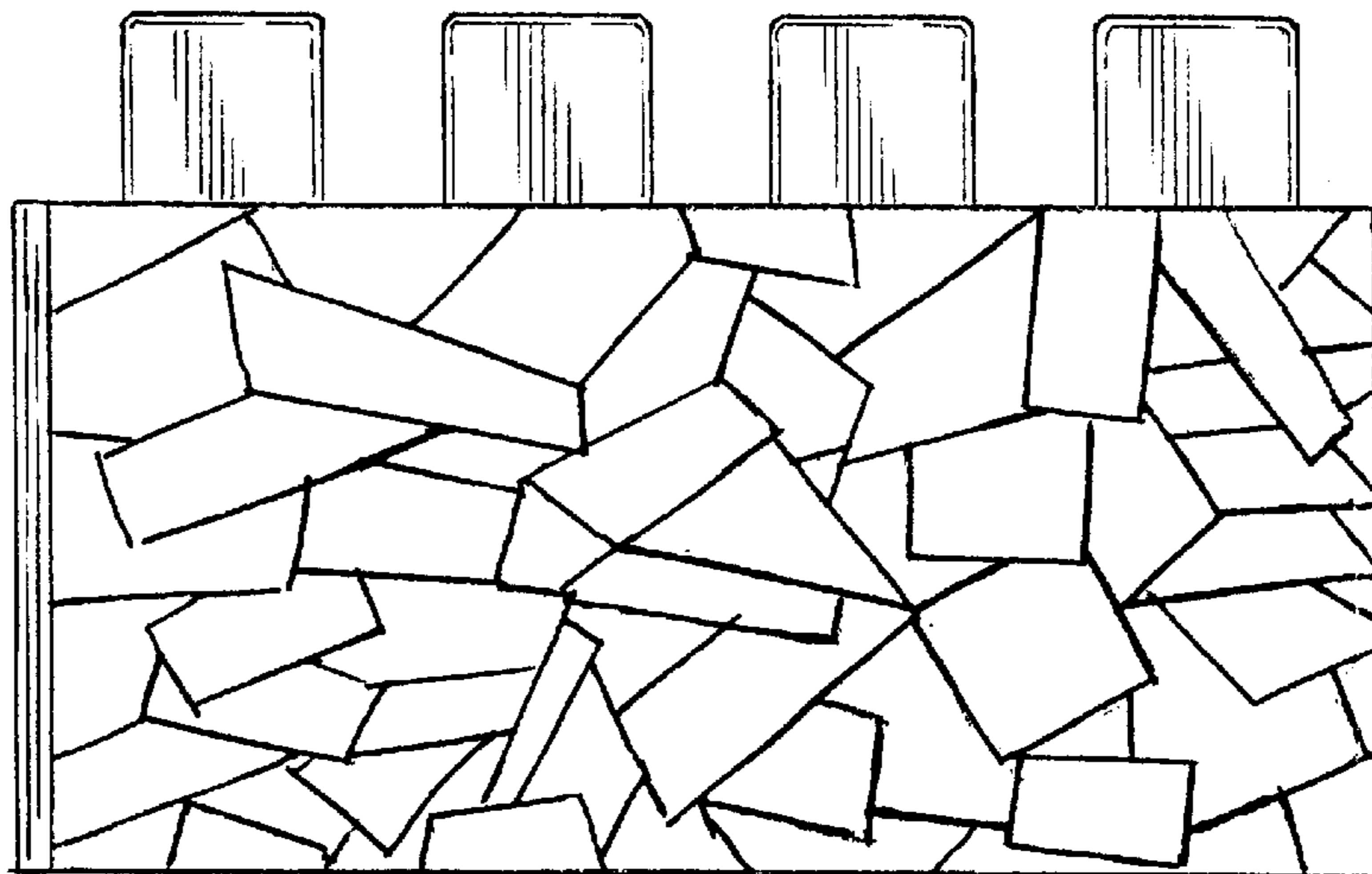


FIG. 4

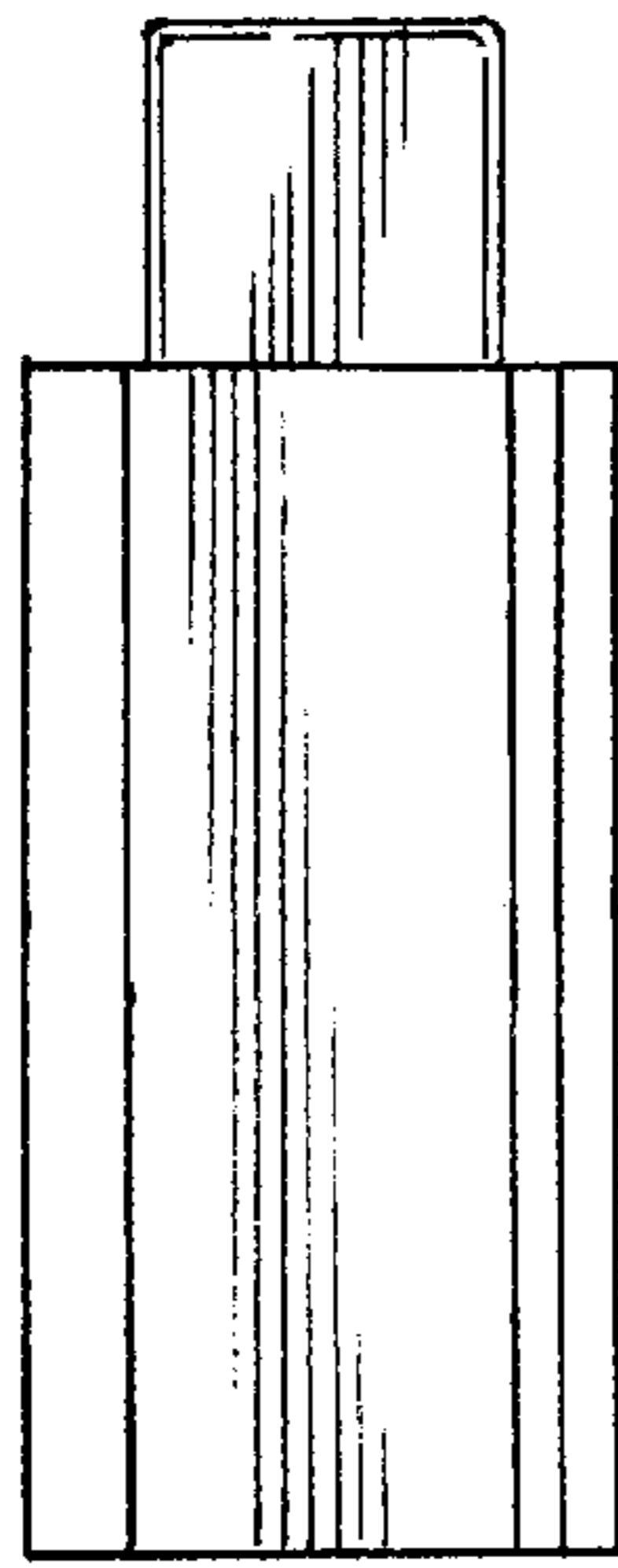


FIG. 5

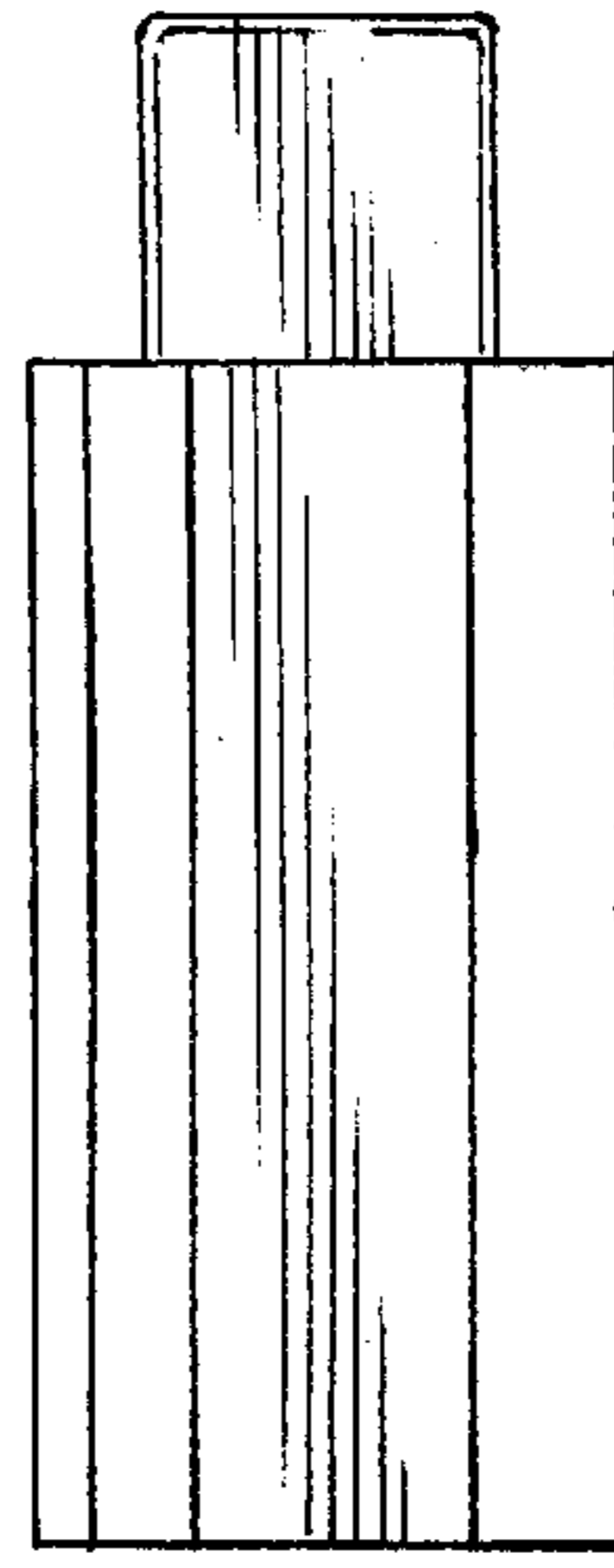


FIG. 6

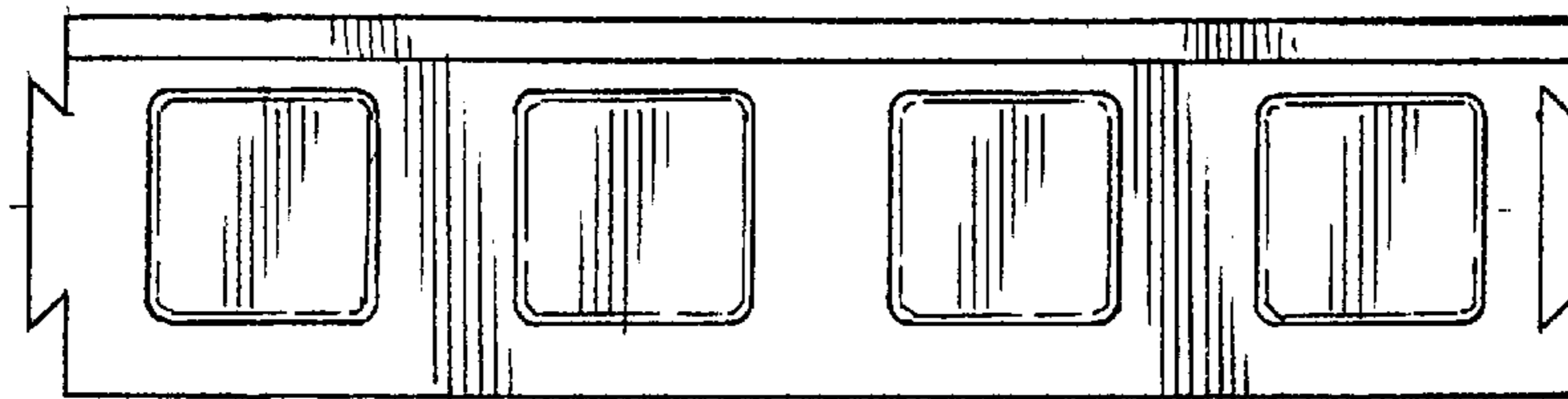


FIG. 7

