



US00D443656S

(12) **United States Design Patent**
Ng

(10) **Patent No.:** **US D443,656 S**

(45) **Date of Patent:** **** Jun. 12, 2001**

(54) **MANUAL PLAYING CARD SHUFFLER**

5,584,483 * 12/1996 Sines et al. 273/149 R
5,810,355 * 9/1998 Trilli 273/149 R

(76) Inventor: **Kai-Man Ng**, 181 Pembroke Dr., Lake Forest, IL (US) 60045

* cited by examiner

(**) Term: **14 Years**

Primary Examiner—Sandra L. Morris

(21) Appl. No.: **29/132,421**

(57) **CLAIM**

(22) Filed: **Nov. 9, 2000**

The ornamental design of a manual playing card shuffler, as shown and described in the drawing.

(51) **LOC (7) Cl.** **21-01**

DESCRIPTION

(52) **U.S. Cl.** **D21/395; D21/396**

(58) **Field of Search** D21/385, 392-396;
273/148 R, 148 A, 149 R, 149 P; D19/76

FIG. 1. Is a front-quarter elevation view of the manual playing card shuffler showing my new design, in accordance with the present invention;

FIG. 2. Is an end elevation view thereof;

FIG. 3. Is a top elevation view thereof;

FIG. 4. Is a front elevation view thereof;

FIG. 5. Is a rear elevation view thereof; and,

FIG. 6. Is a bottom elevation view thereof.

(56) **References Cited**

U.S. PATENT DOCUMENTS

- D. 200,652 * 3/1965 Fisk D21/396
- D. 304,735 * 11/1989 Leszczak et al. D19/76
- D. 365,367 * 12/1995 Bell et al. D19/76
- 2,696,385 * 12/1954 Hadfield et al. 273/149 R

1 Claim, 3 Drawing Sheets

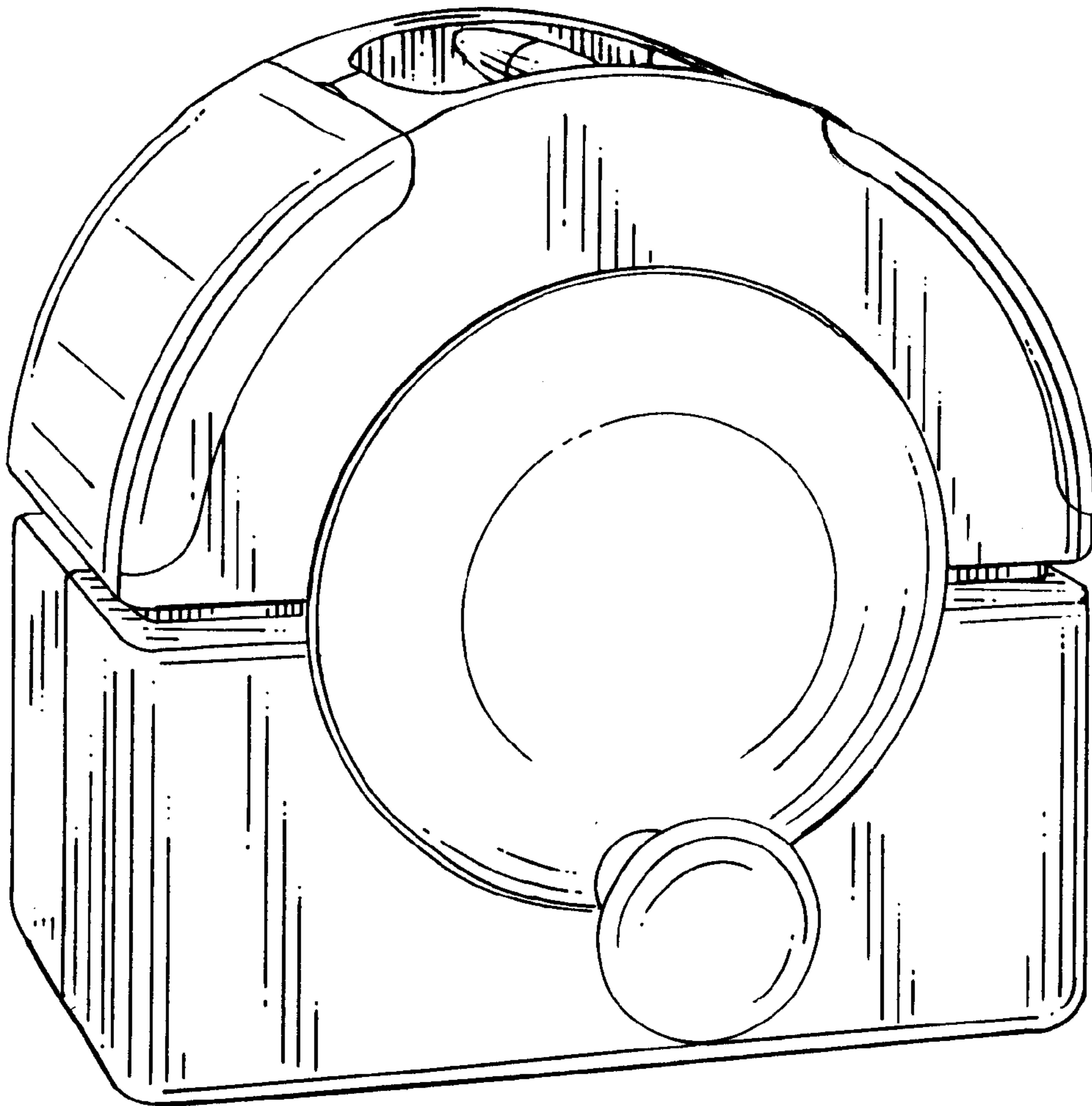


FIG. 1

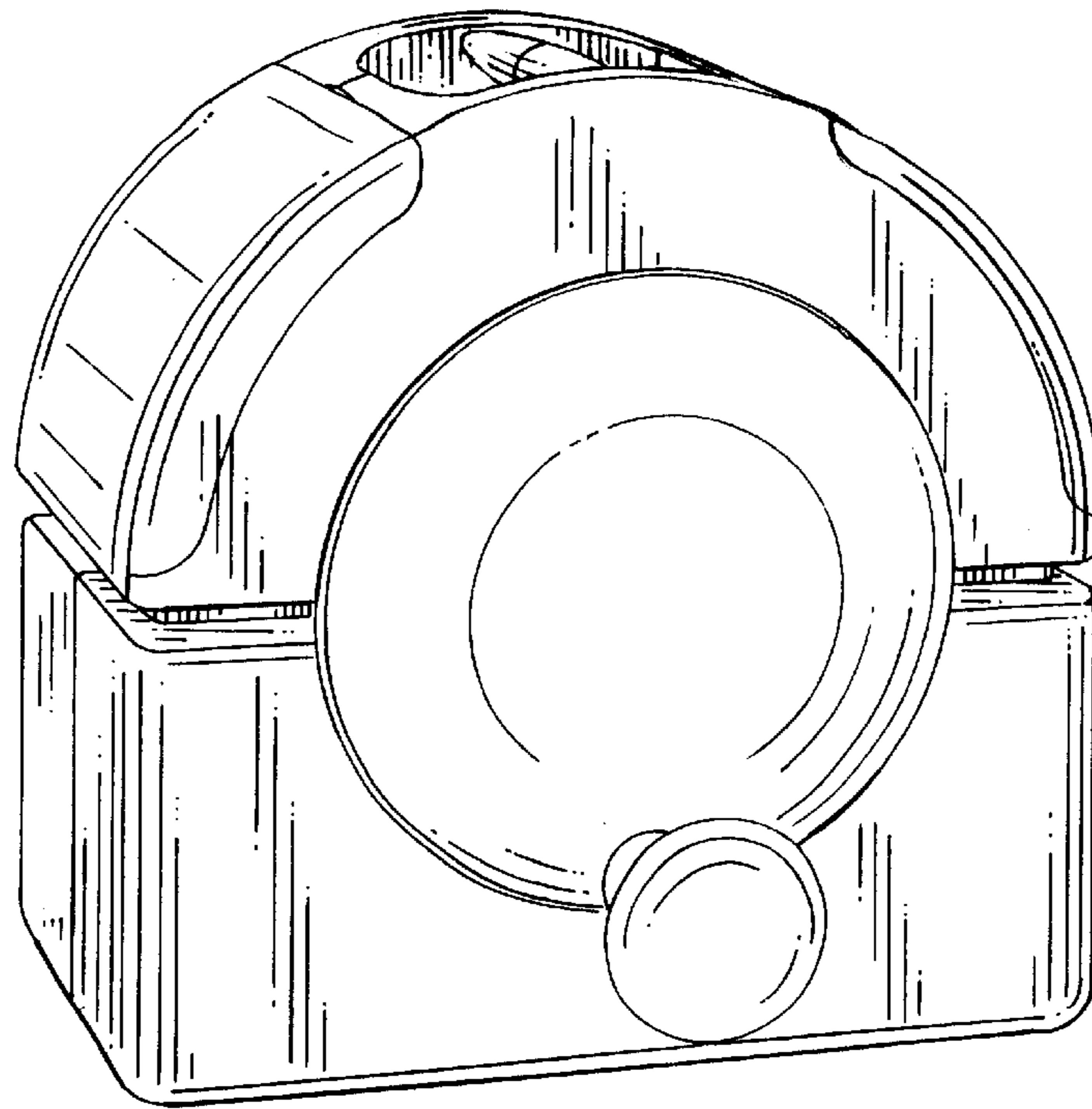


FIG. 2

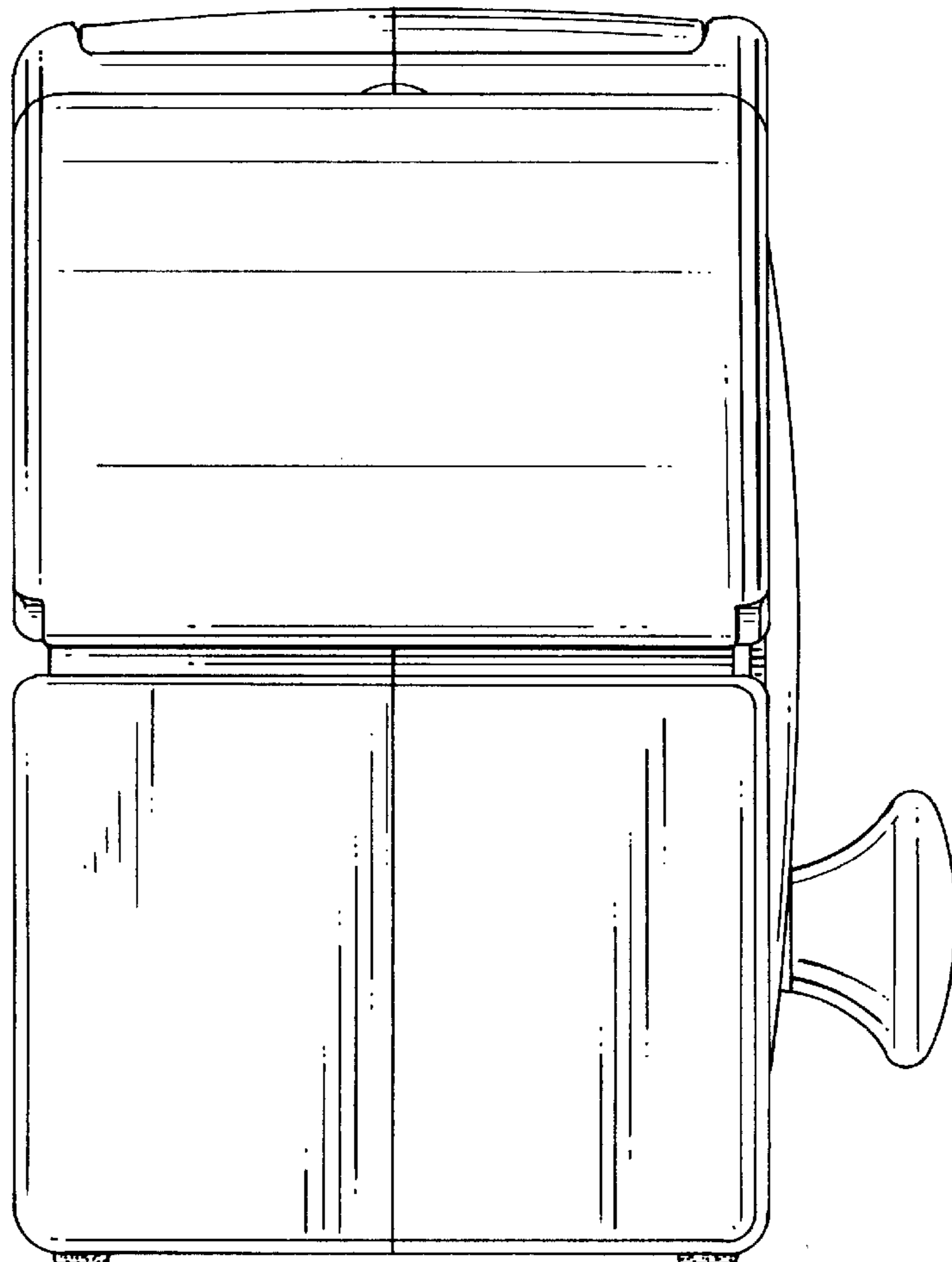


FIG. 3

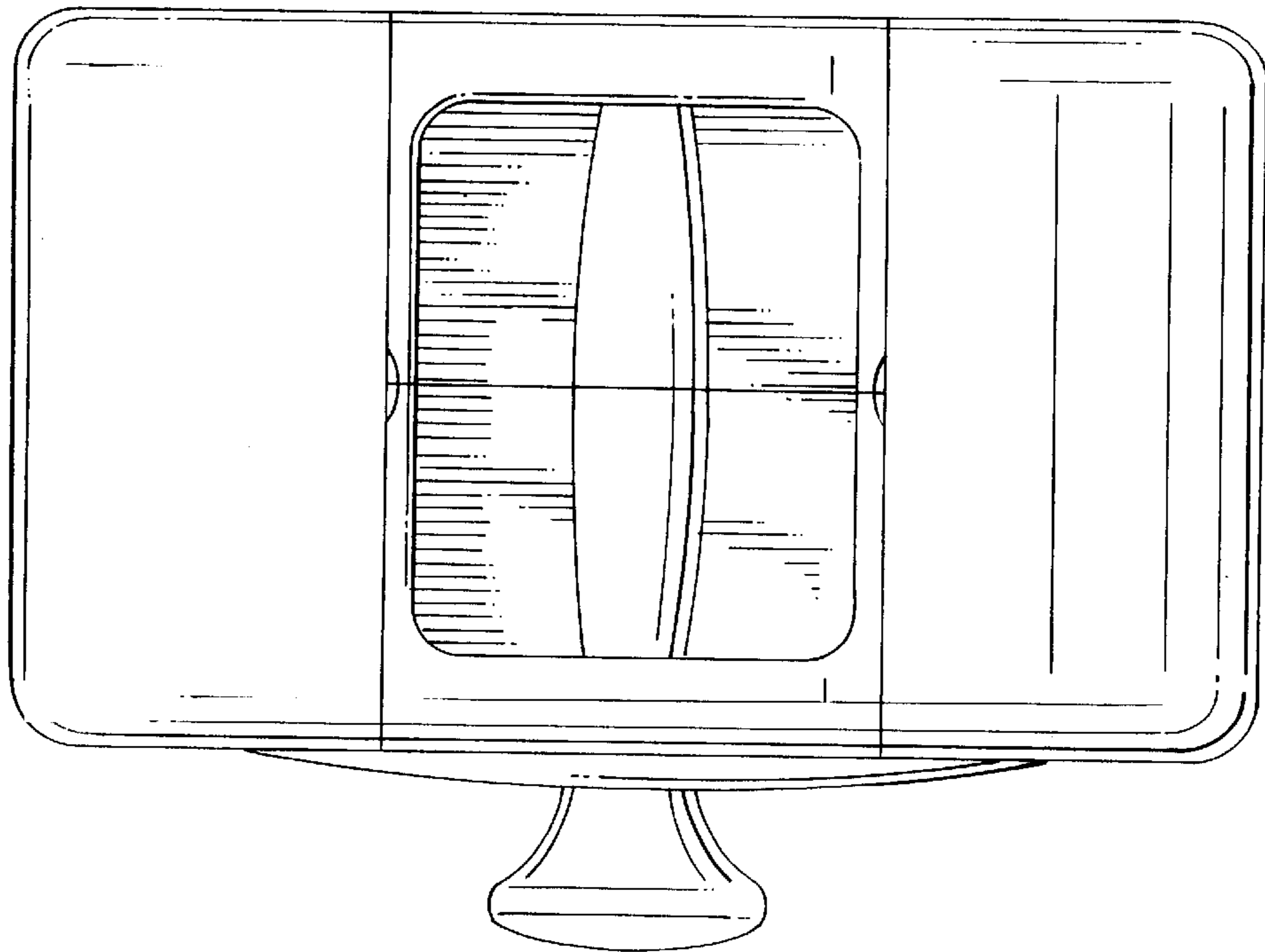


FIG. 4

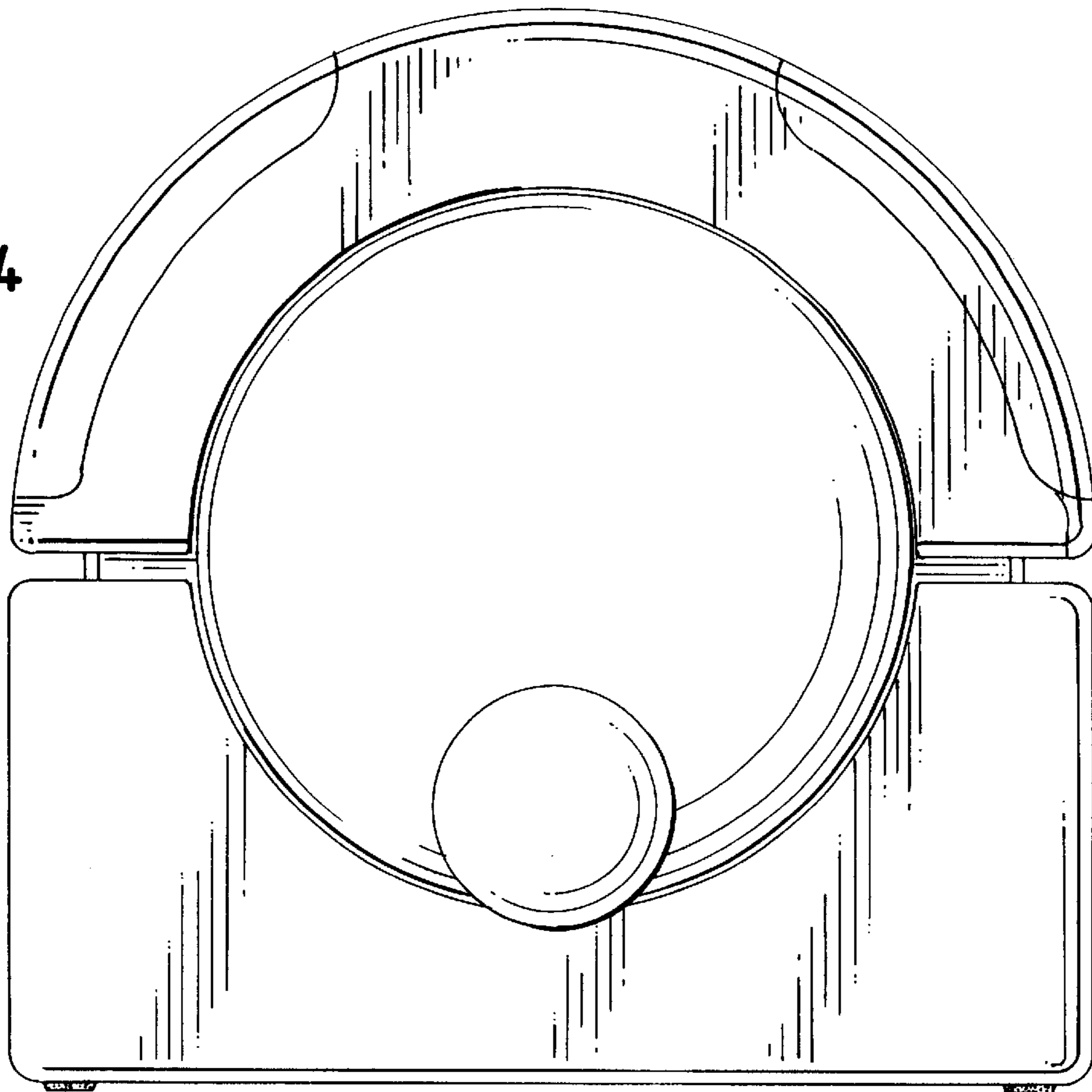


FIG. 5

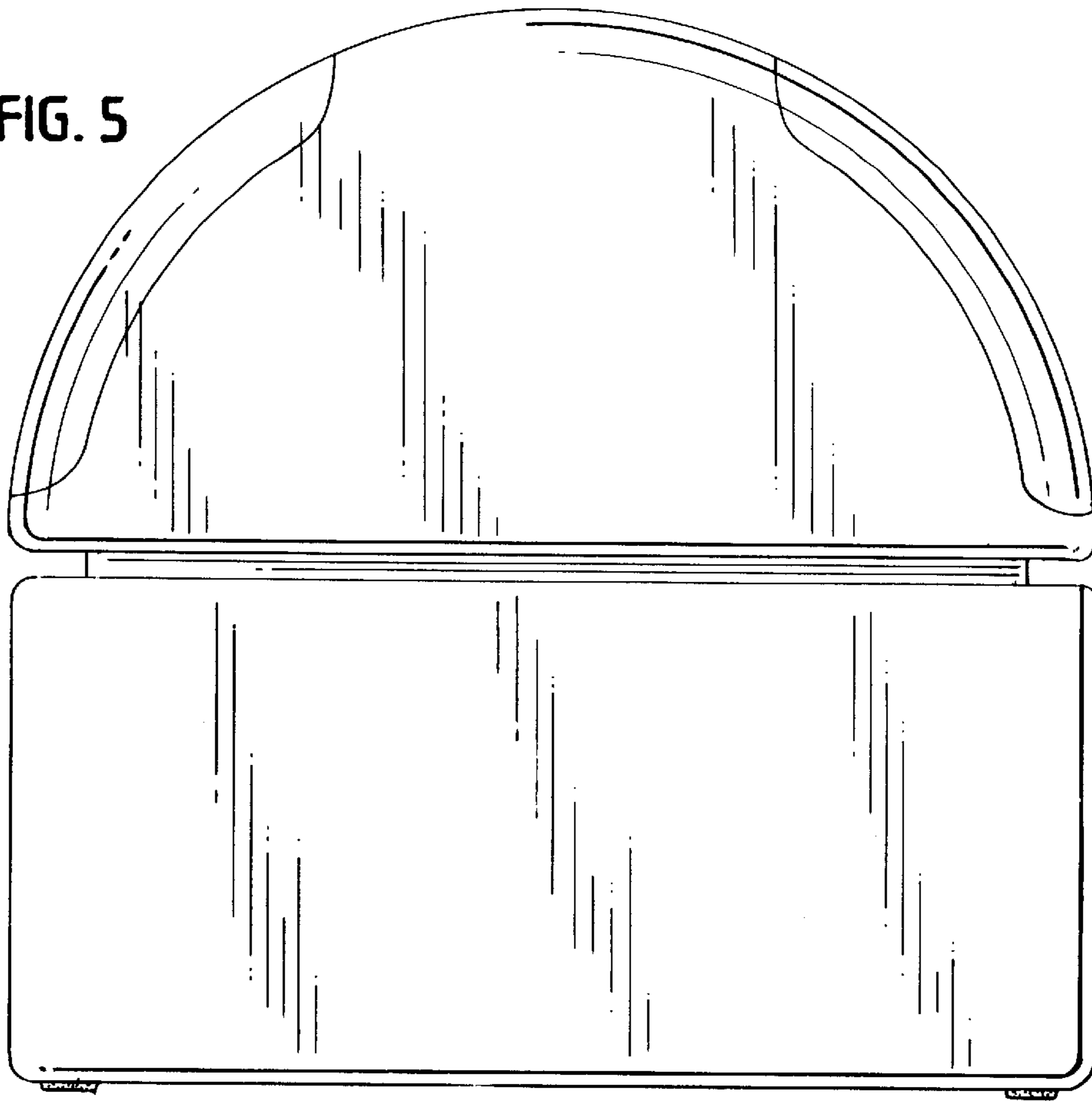


FIG. 6

