



US00D443652S

(12) **United States Design Patent**  
**Sachs et al.**

(10) **Patent No.:** **US D443,652 S**

(45) **Date of Patent:** **\*\* Jun. 12, 2001**

(54) **DISTRIBUTING MACHINE**

(75) Inventors: **Oscar Sachs**, Dollard-des-Ormeaux;  
**David Shimansky**, Montreal, both of  
(CA)

(73) Assignee: **Top 24 Inc.**, Dollars-des Ormeaux (CA)

(\*\*) Term: **14 Years**

(21) Appl. No.: **29/123,551**

(22) Filed: **May 22, 2000**

(51) **LOC (7) Cl.** ..... **20-04**

(52) **U.S. Cl.** ..... **D20/4**

(58) **Field of Search** ..... D20/1-9; D6/408,  
D6/515; 194/205, 212, 255, 350; 221/75,  
92, 94-96, 126, 155, 195

(56) **References Cited**

**U.S. PATENT DOCUMENTS**

D. 265,745	*	8/1982	Krakauer	.....	D20/5 X
D. 362,463	*	9/1995	Vogelphol et al.	.....	D20/4
D. 364,646	*	11/1995	Maldanis	.....	D20/4
D. 420,705	*	2/2000	Koyanagi	.....	D20/4
4,893,705	*	1/1990	Brown	.....	D20/4 X

\* cited by examiner

*Primary Examiner*—Nanda Bondade

(74) *Attorney, Agent, or Firm*—Swabey Ogilvy Renault

(57) **CLAIM**

The ornamental design for a “distributing machine”, as shown and described.

**DESCRIPTION**

FIG. 1 is a perspective view of a distributing machine showing a first embodiment of our new design;

FIG. 2 is a top plan view thereof;

FIG. 3 is a front elevational view thereof;

FIG. 4 is a right side elevational view thereof;

FIG. 5 is a left side elevational view thereof;

FIG. 6 is a rear elevational view thereof;

FIG. 7 is a perspective view of a distributing machine showing a second embodiment of our new design;

FIG. 8 is a top plan view thereof;

FIG. 9 is a front elevational view thereof;

FIG. 10 is a right side elevational view thereof;

FIG. 11 is a left side elevational view thereof;

FIG. 12 is a rear elevational view thereof;

FIG. 13 is a perspective view of a distributing machine showing a third embodiment of our new design;

FIG. 14 is a top plan view thereof;

FIG. 15 is a front elevational view thereof;

FIG. 16 is a right side elevational view thereof;

FIG. 17 is a left side elevational view thereof;

FIG. 18 is a rear elevational view thereof;

FIG. 19 is a perspective view of a distributing machine showing a fourth embodiment of our new design;

FIG. 20 is a top plan view thereof;

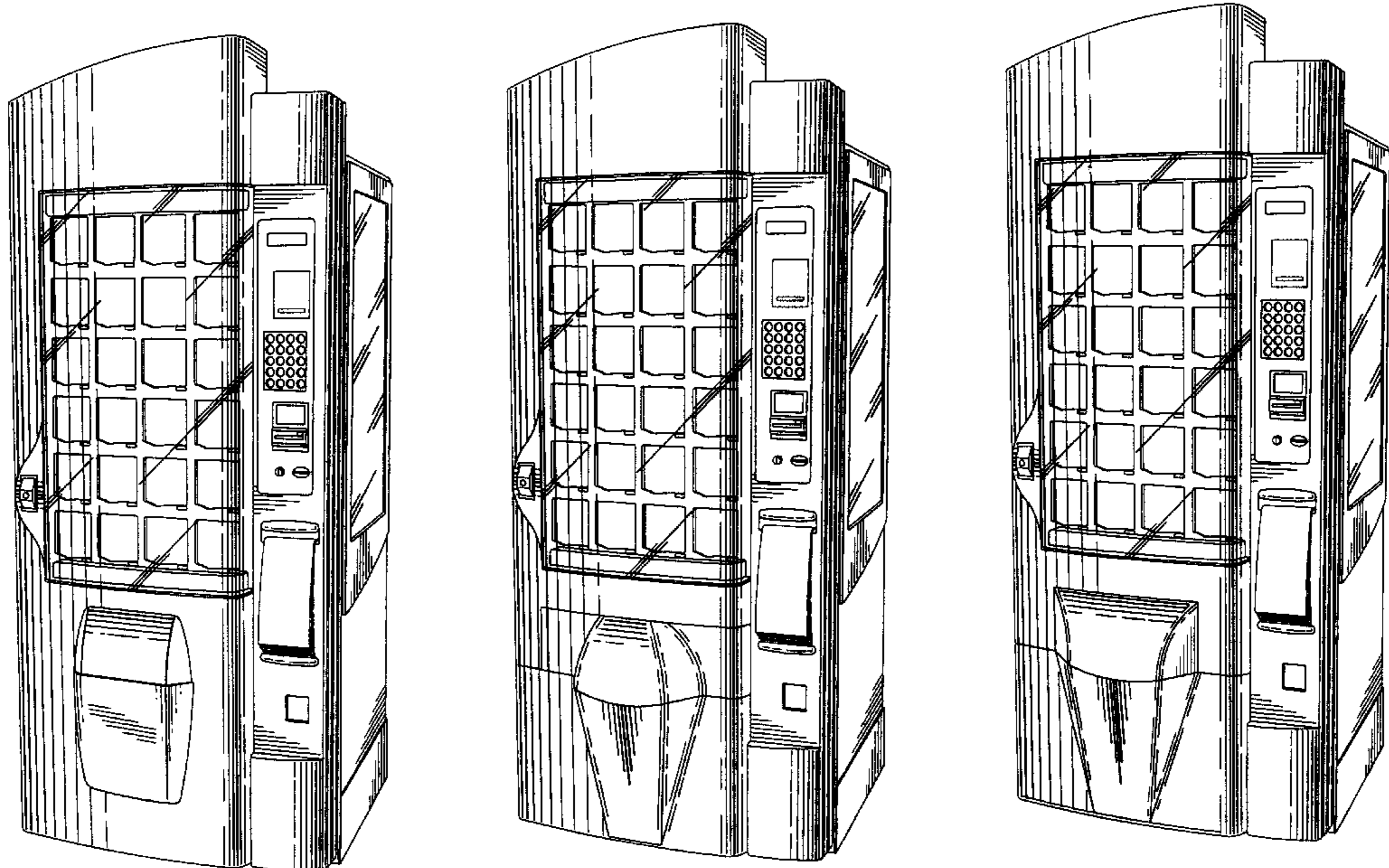
FIG. 21 is a front elevational view thereof;

FIG. 22 is a right side elevational view thereof;

FIG. 23 is a left side elevational view thereof; and,

FIG. 24 is a rear elevational view thereof.

**1 Claim, 12 Drawing Sheets**



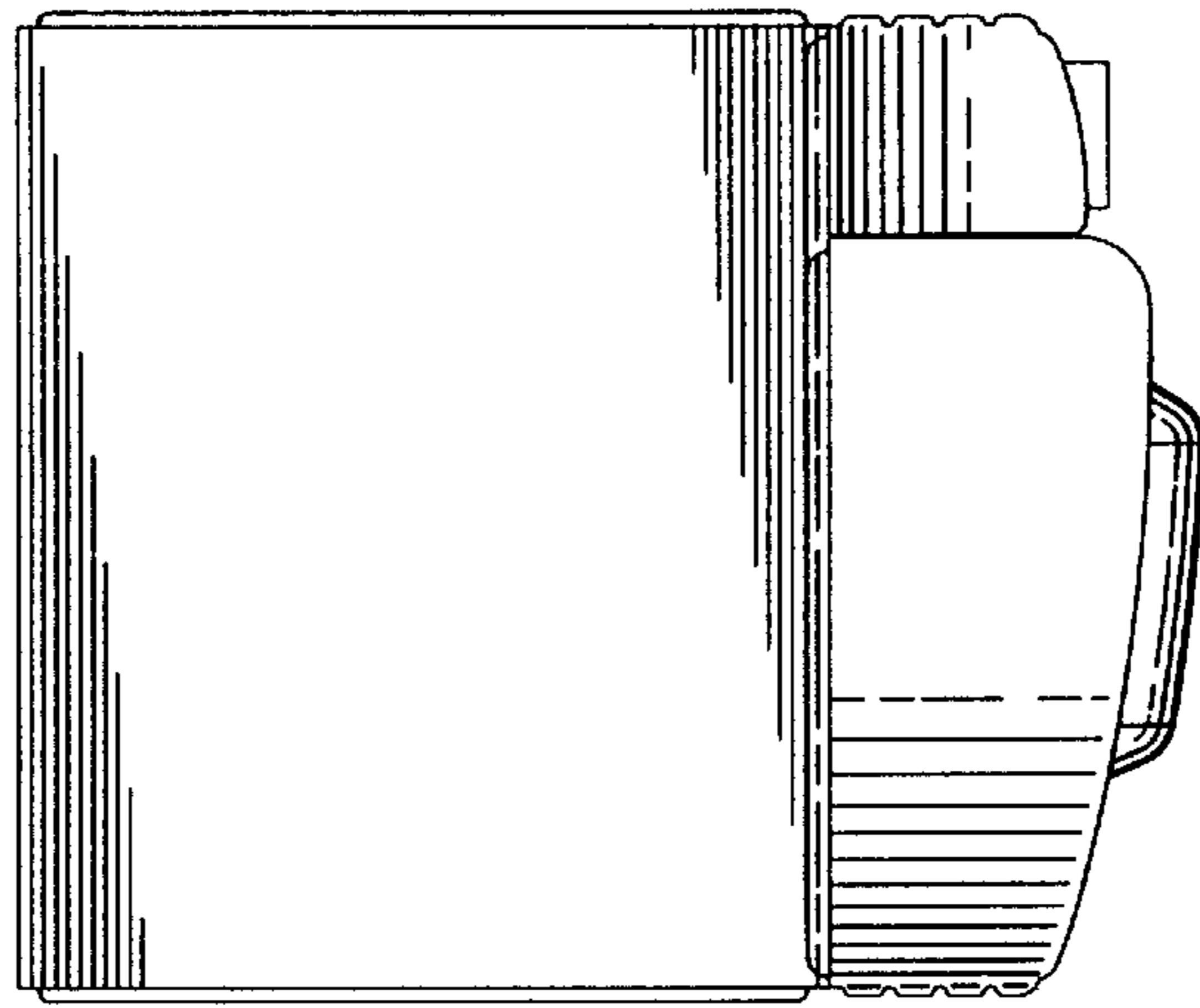


FIG. 2

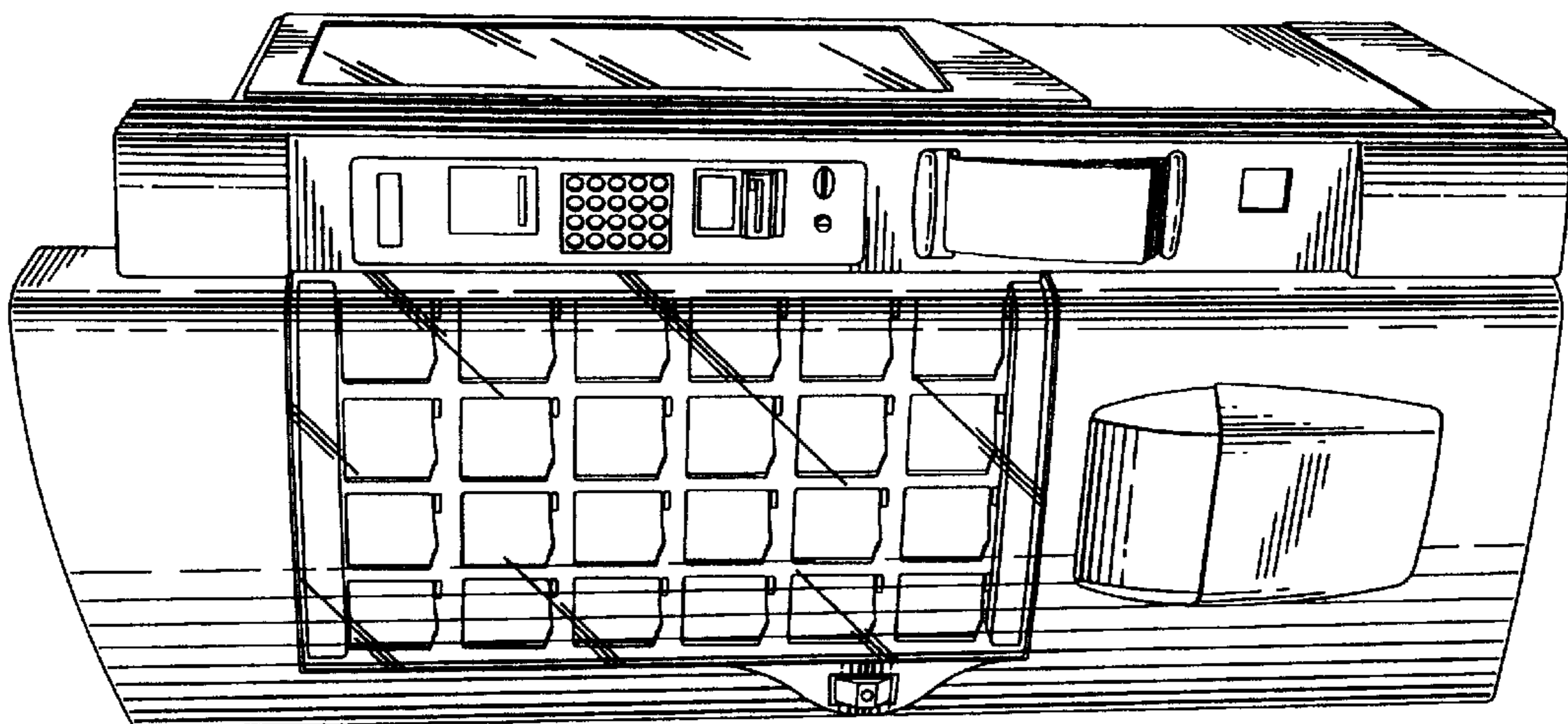


FIG. 1

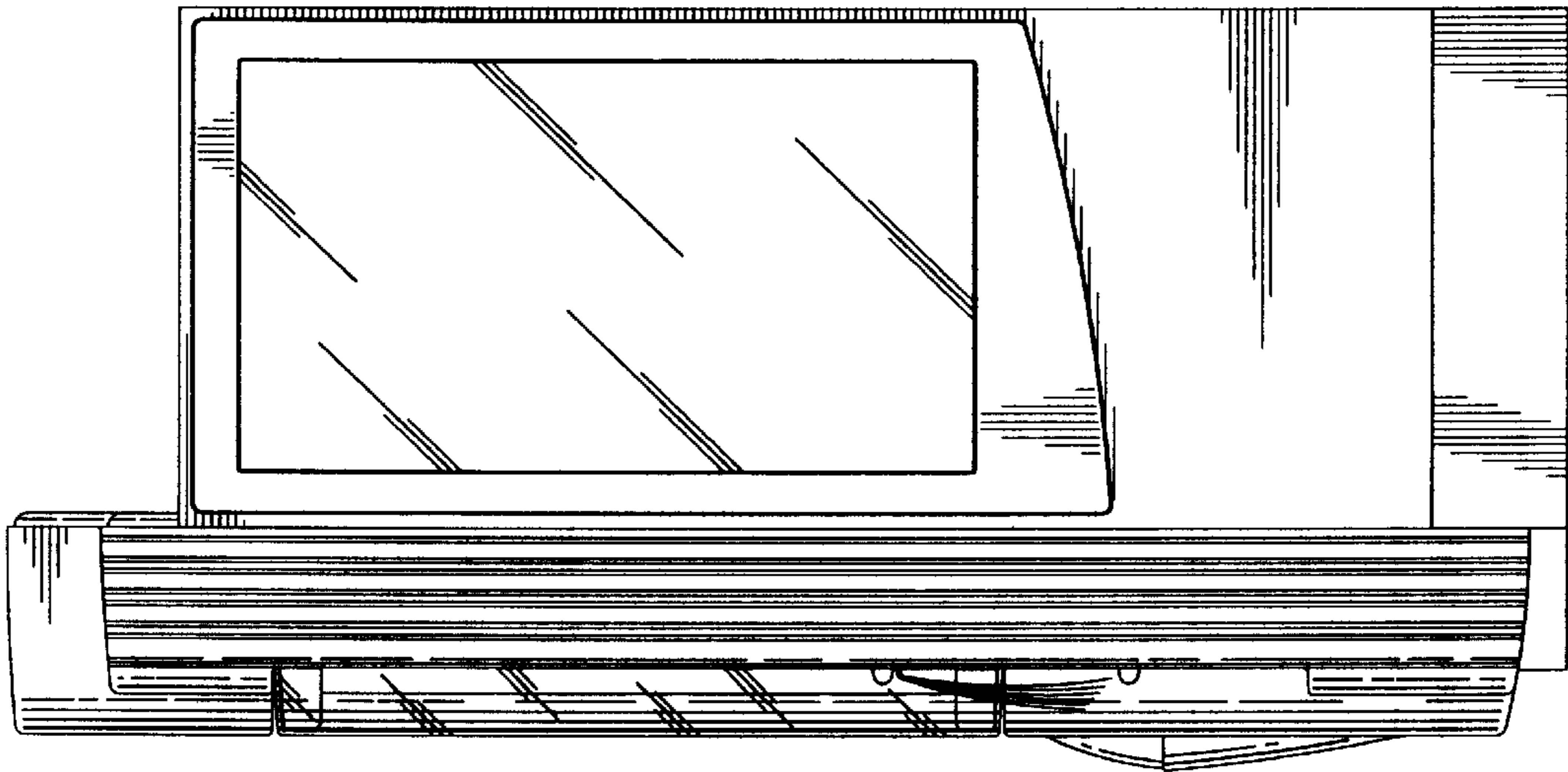


FIG. 4

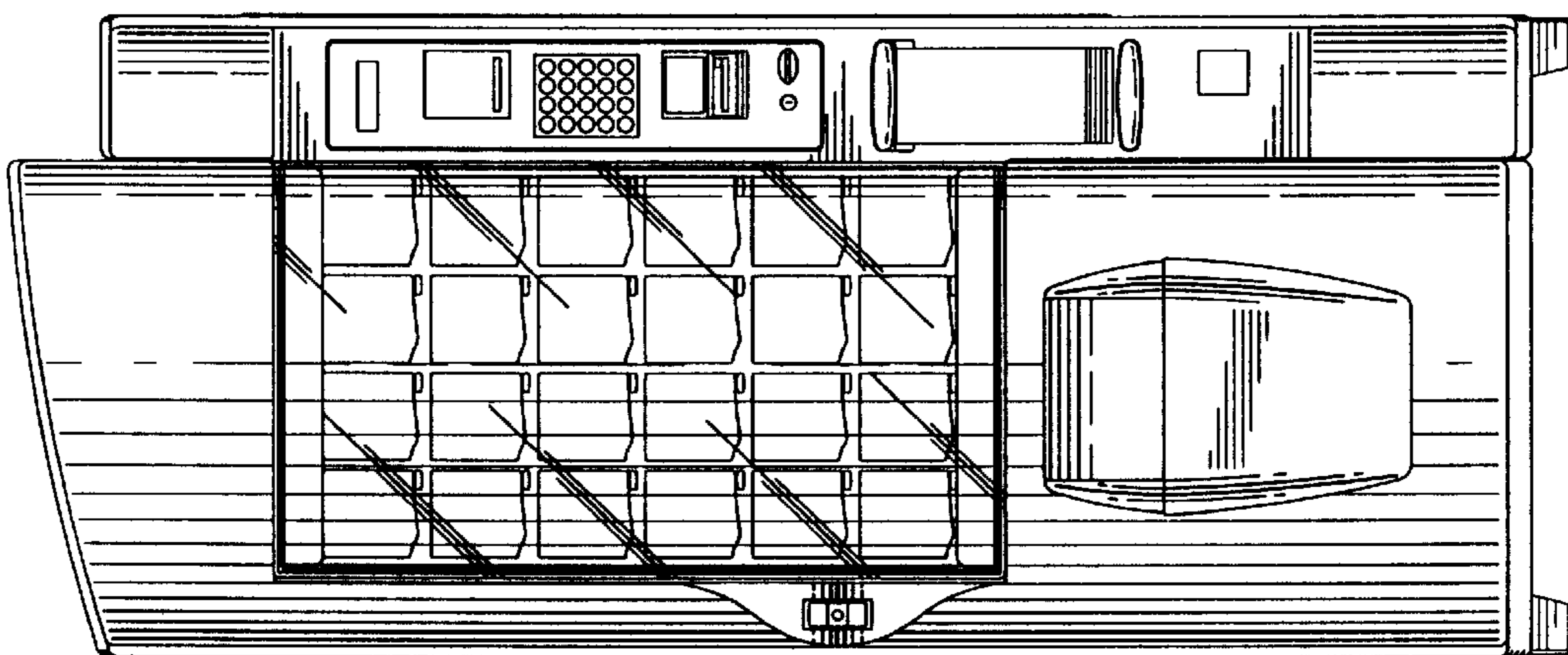


FIG. 3

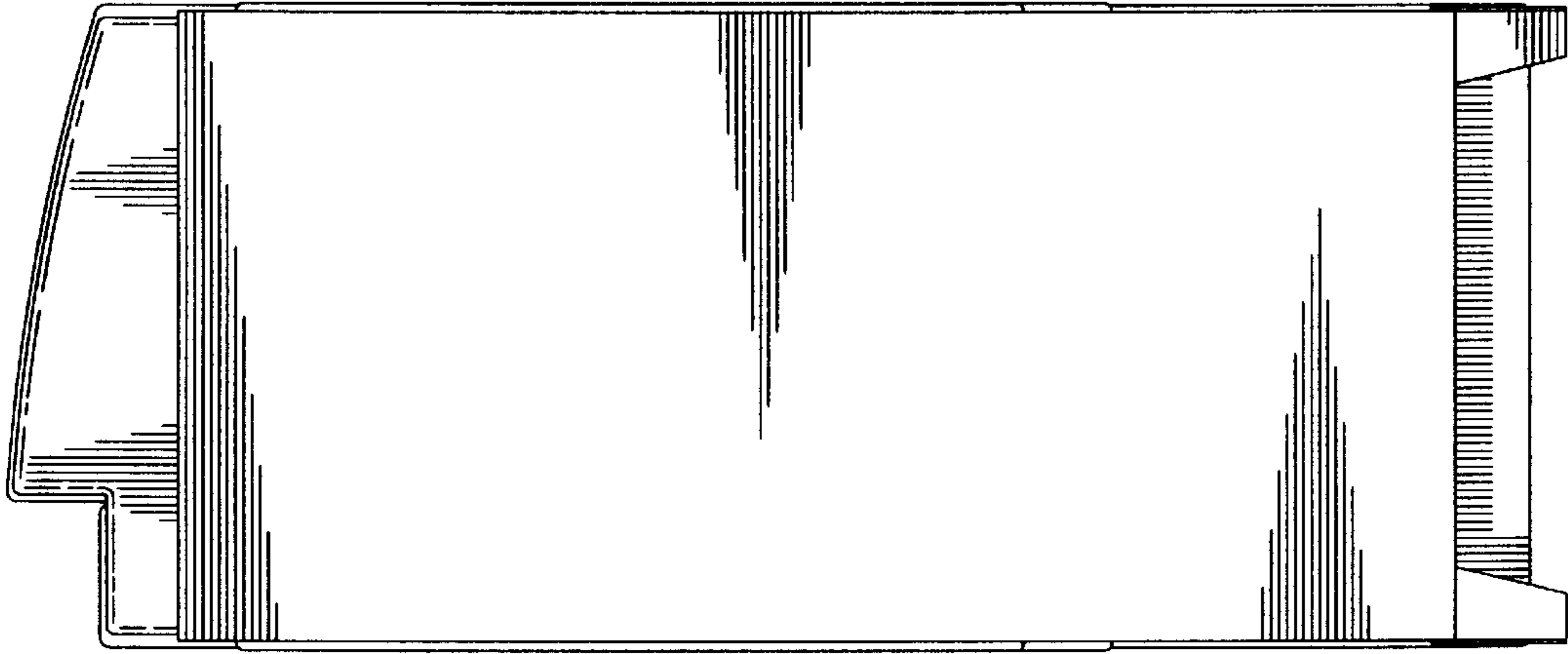


FIG. 6

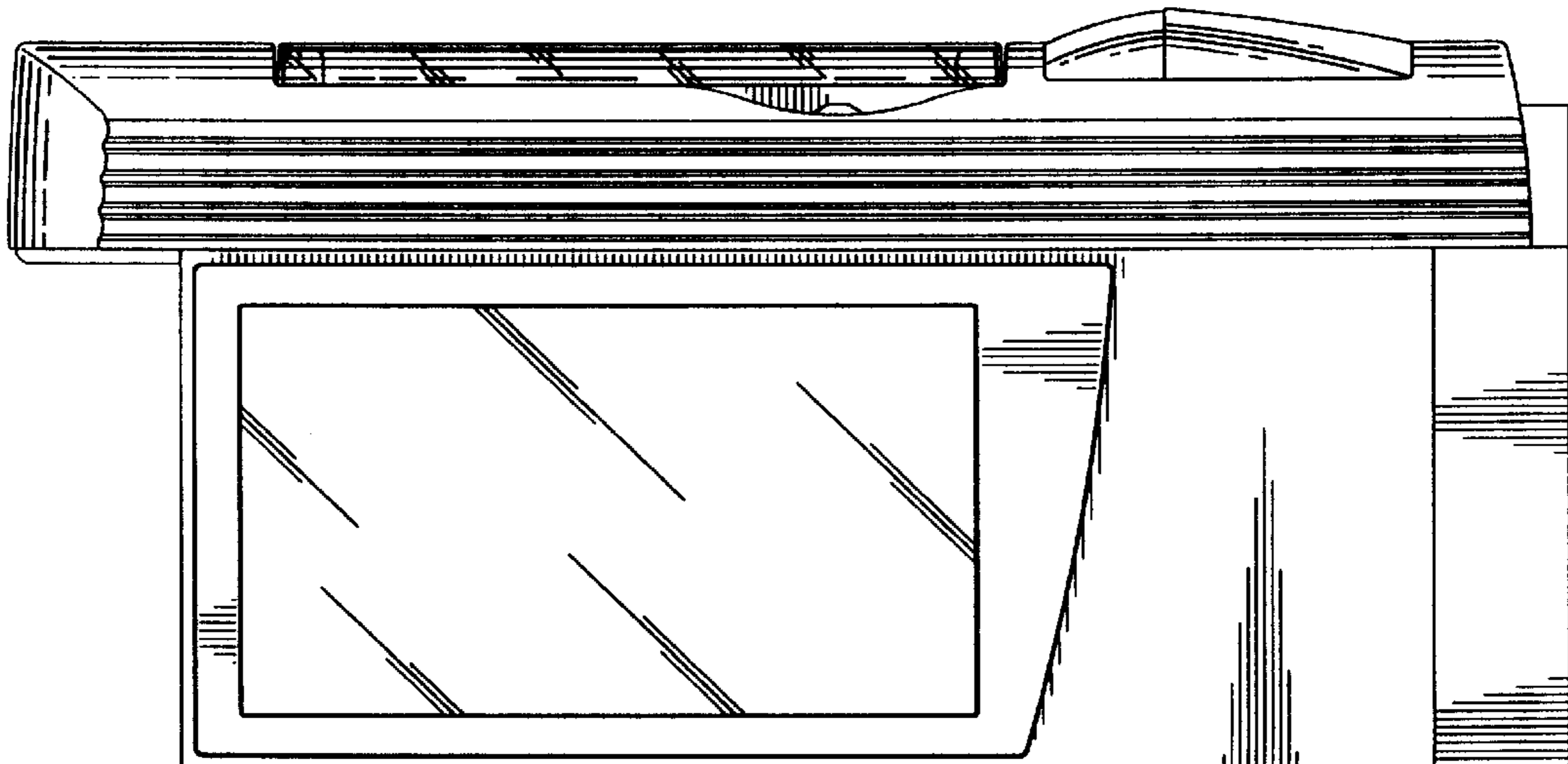


FIG. 5



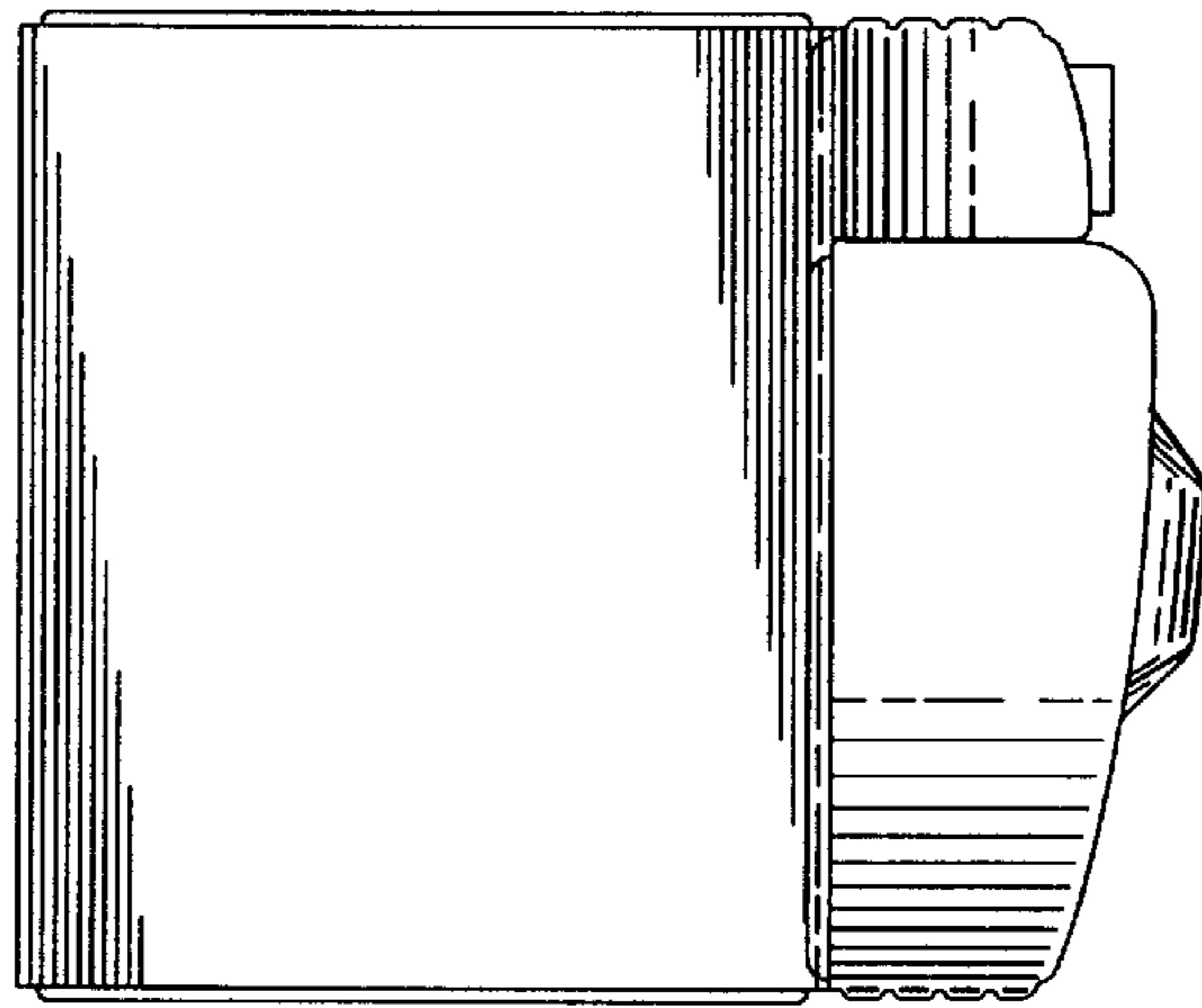


FIG. 8

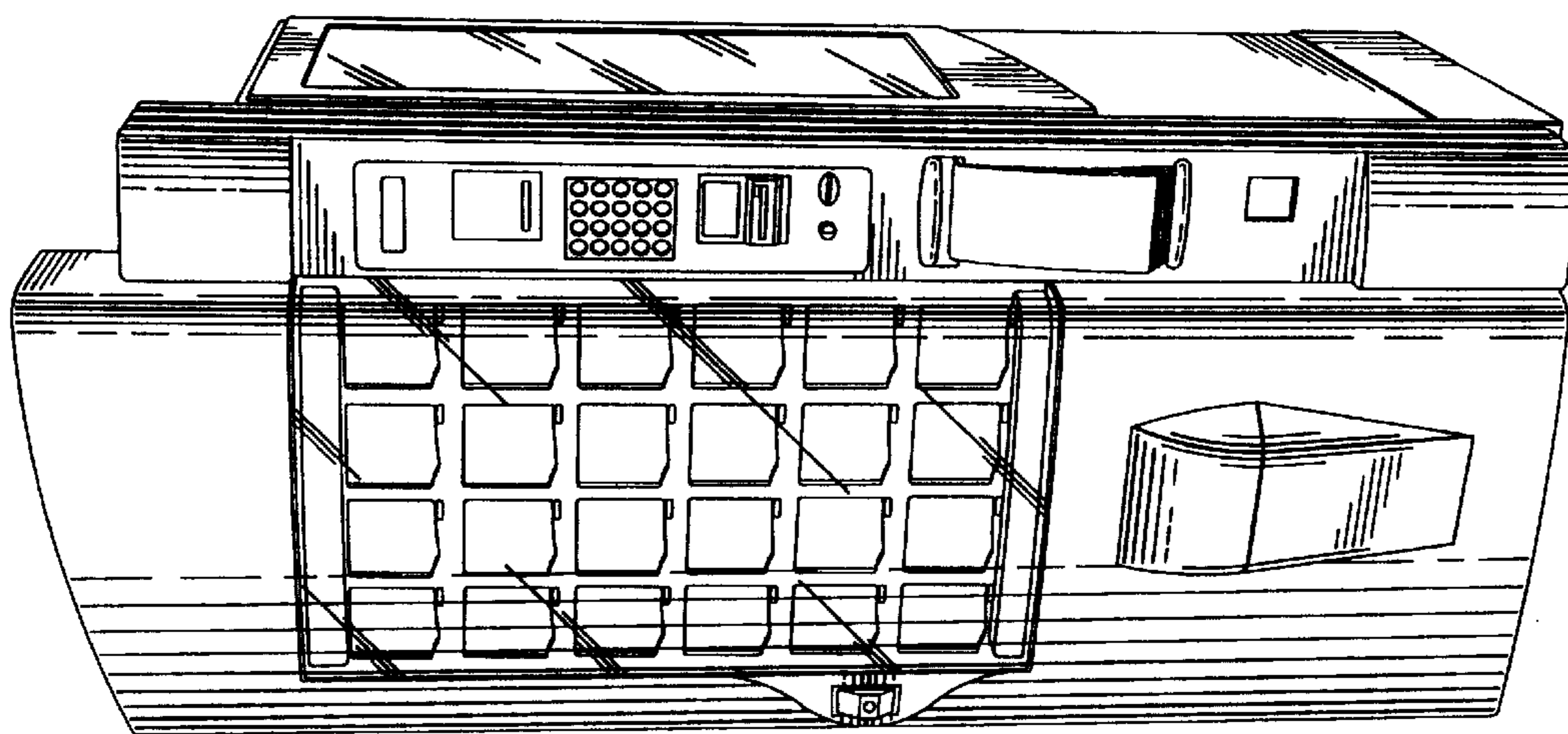


FIG. 7

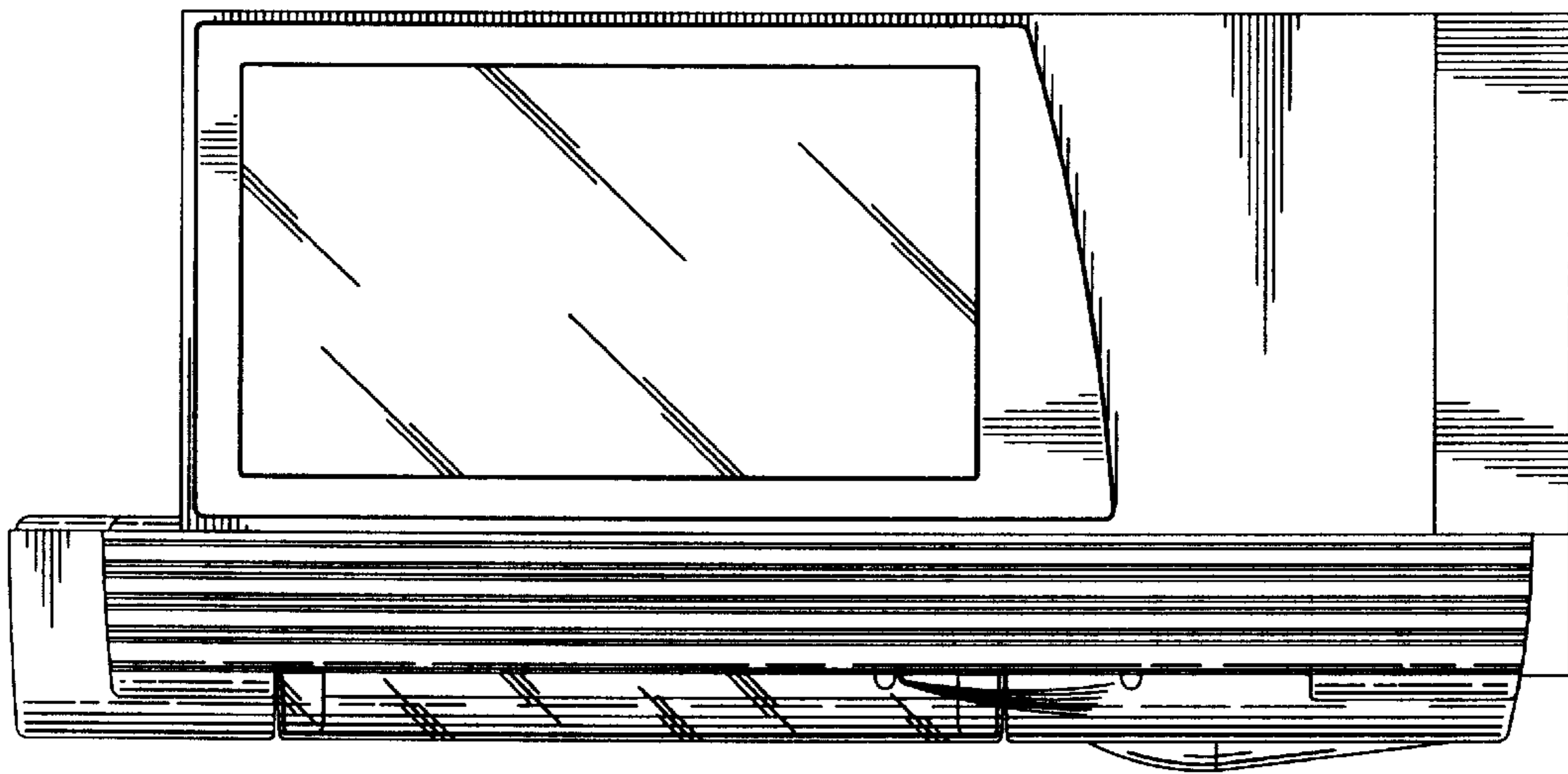


FIG. 10

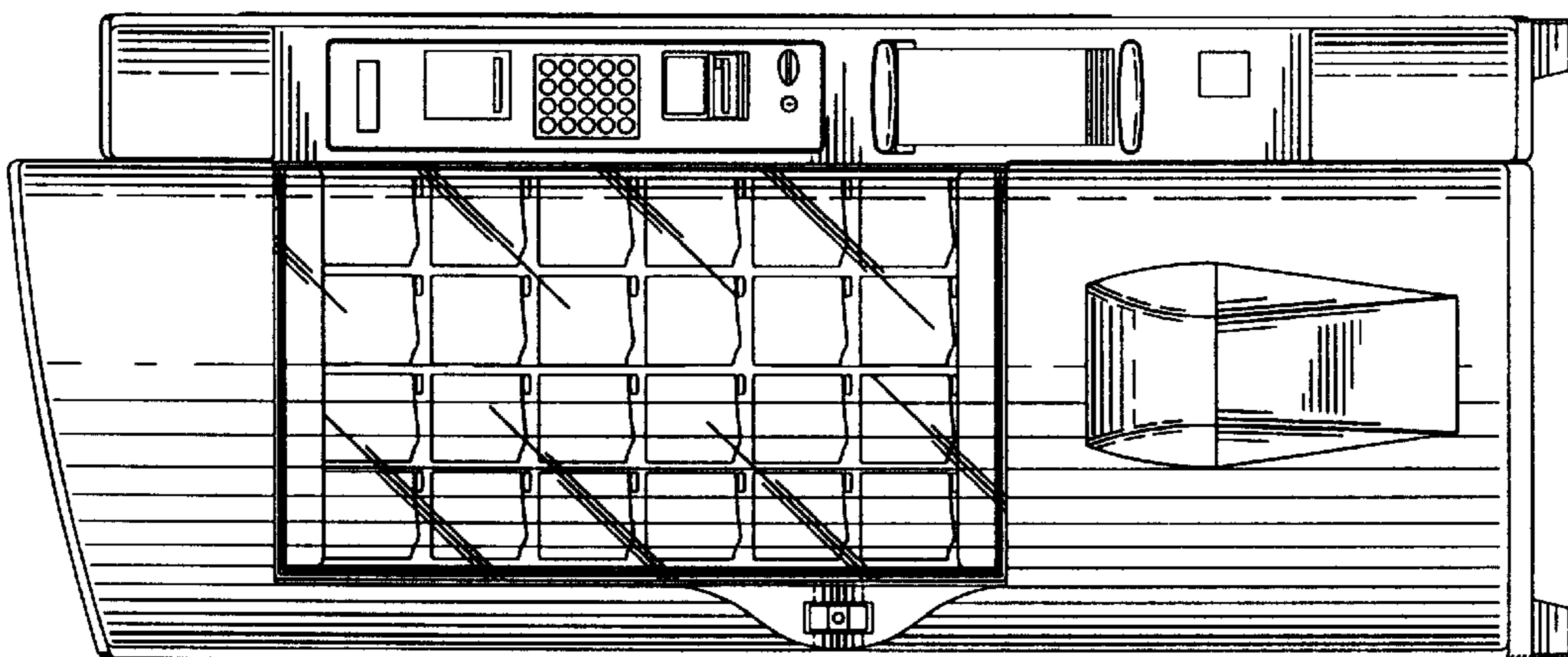


FIG. 9

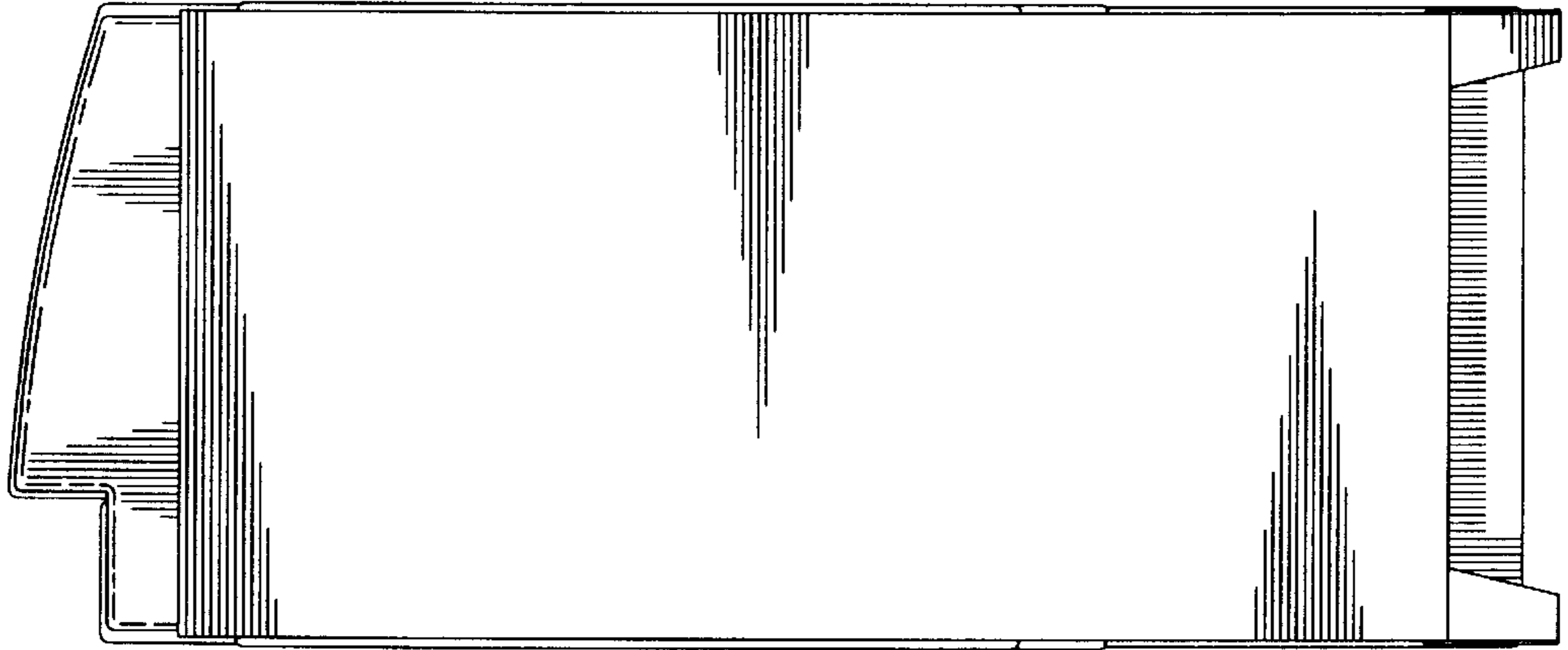


FIG. 12

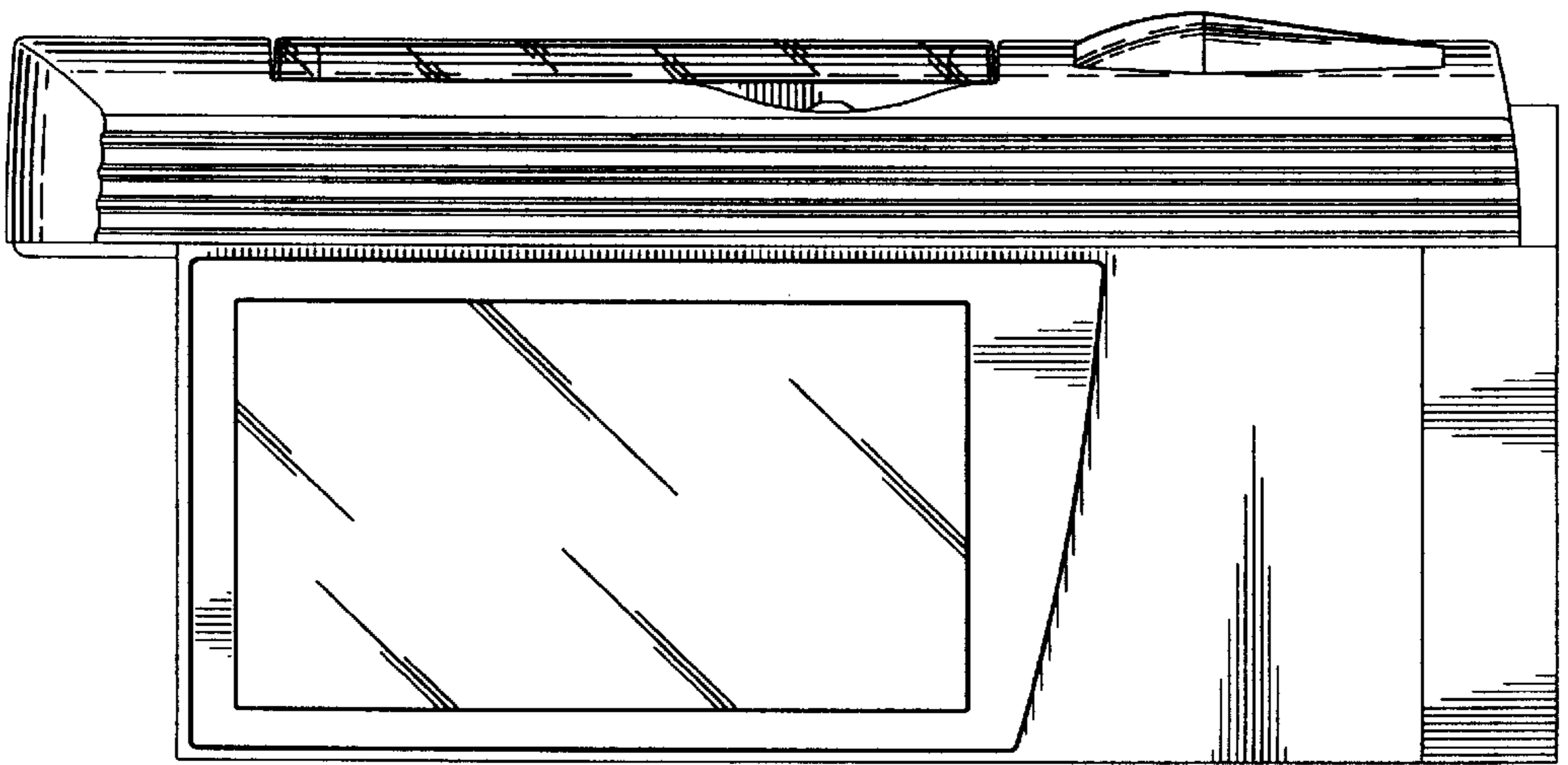


FIG. 11

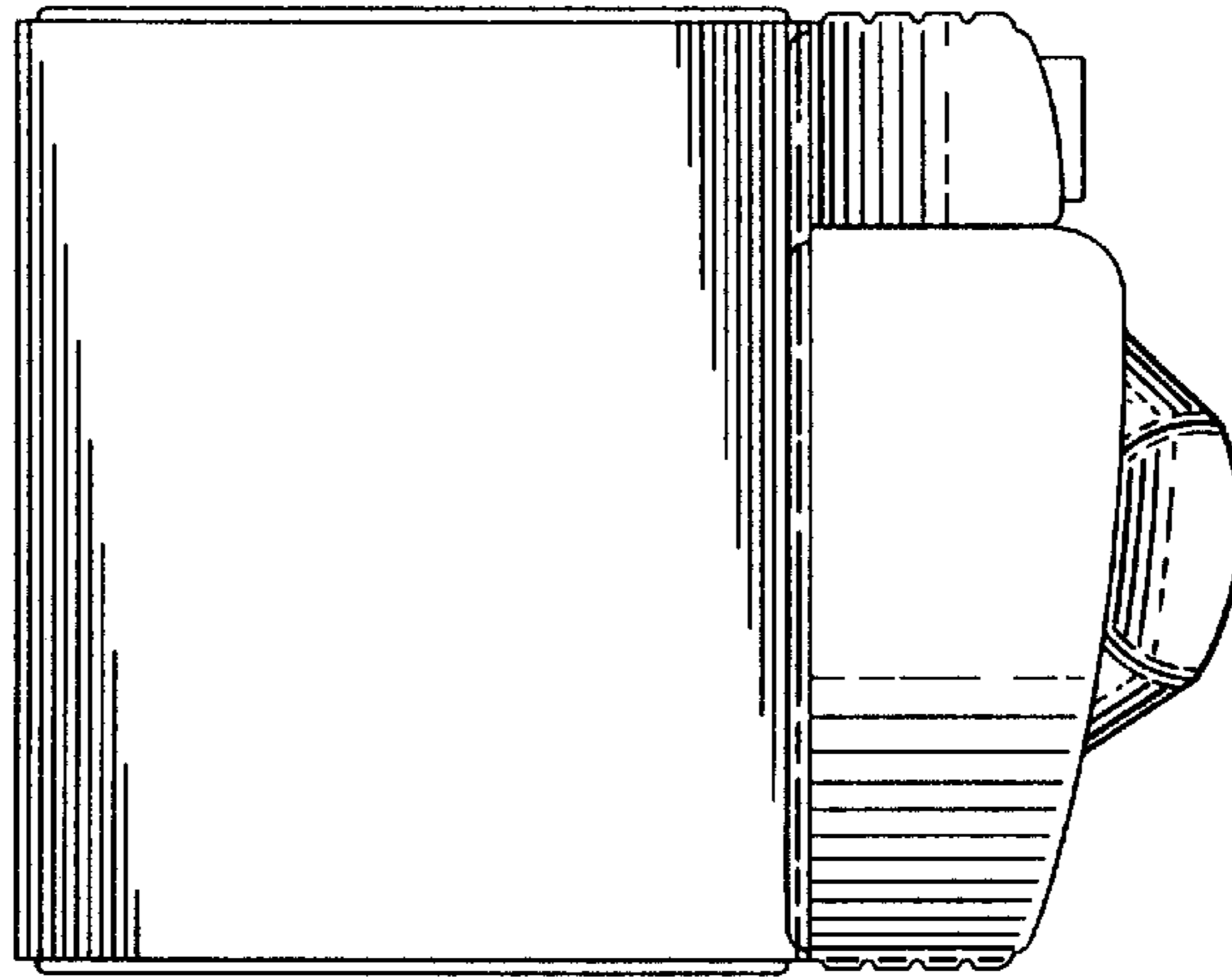


FIG. 14

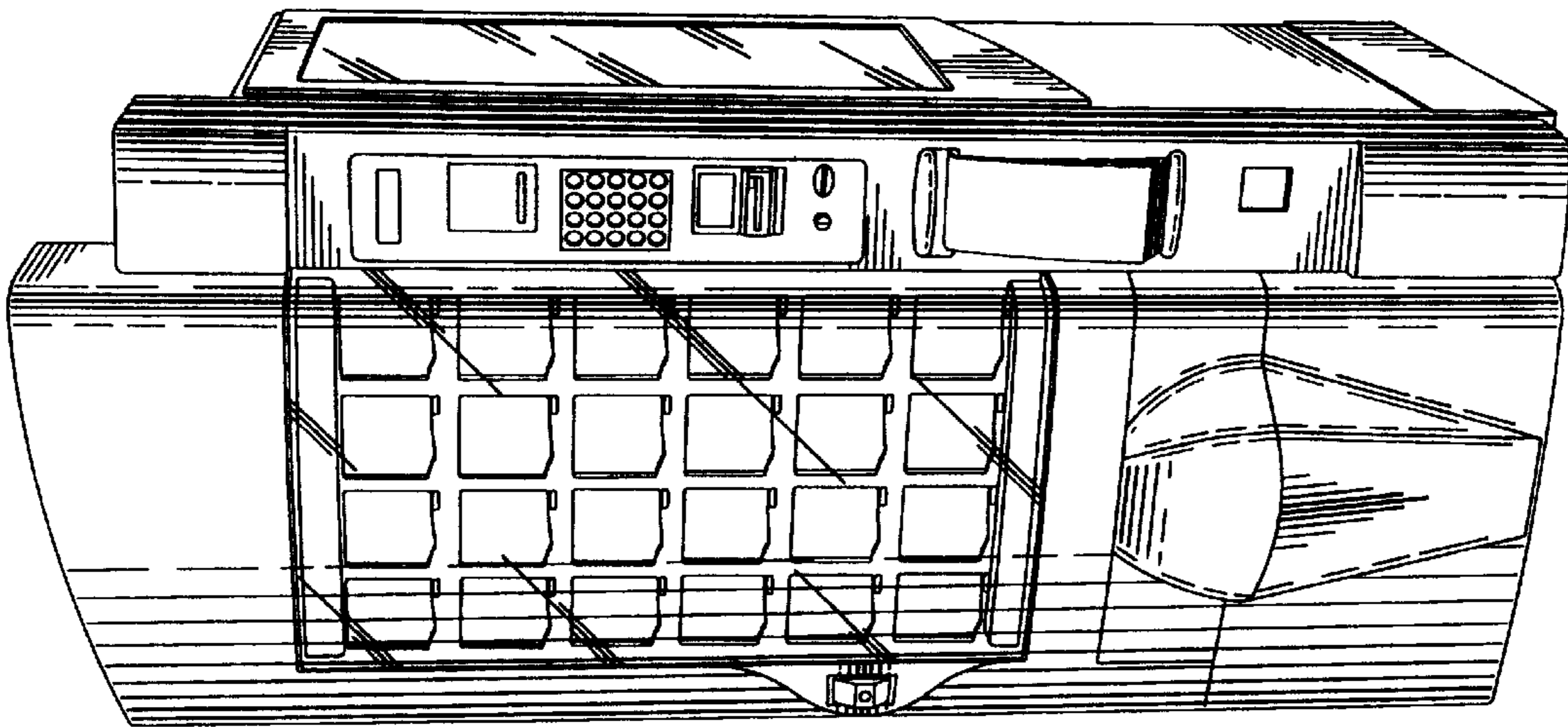


FIG. 13



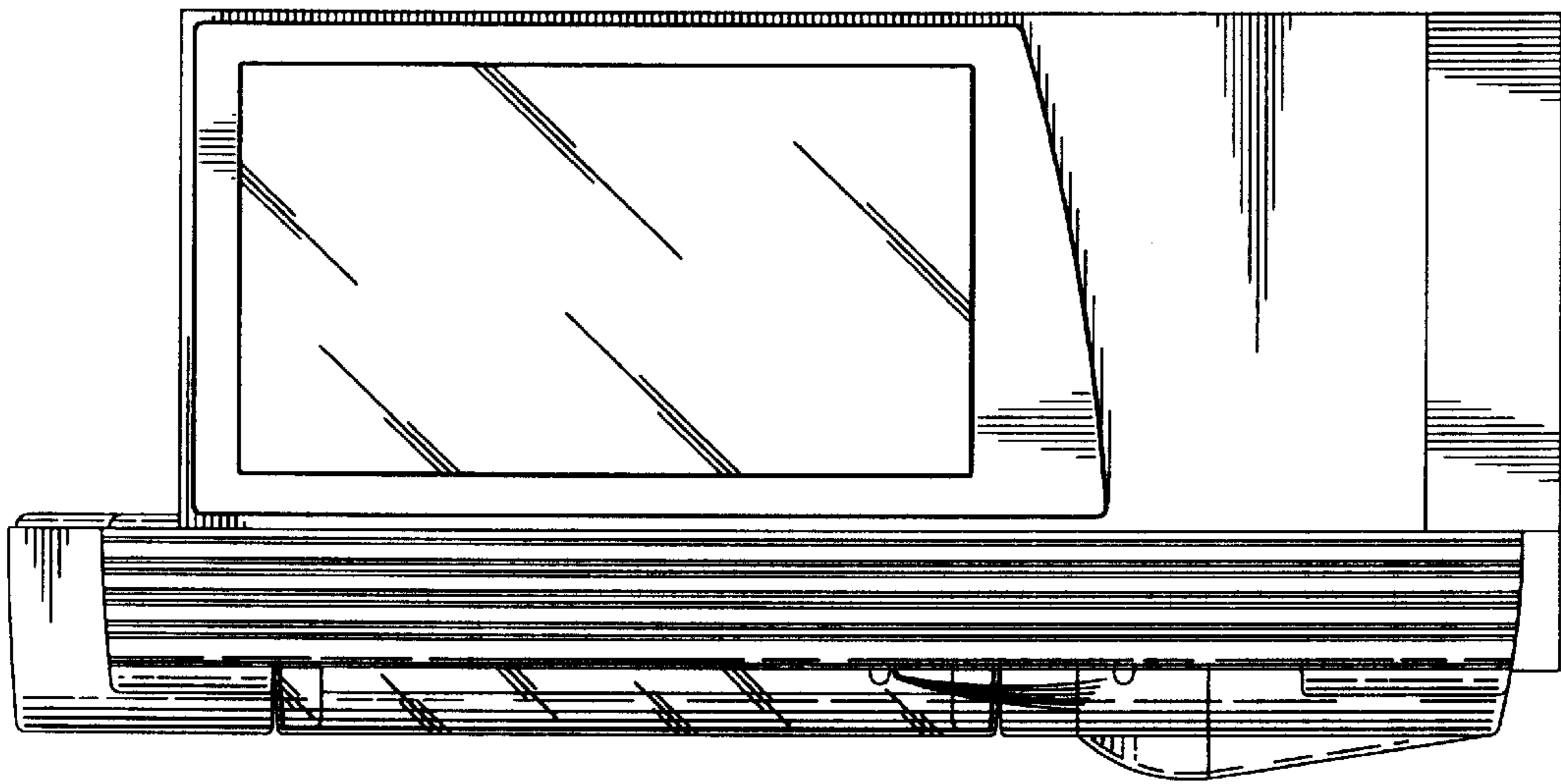


FIG. 16

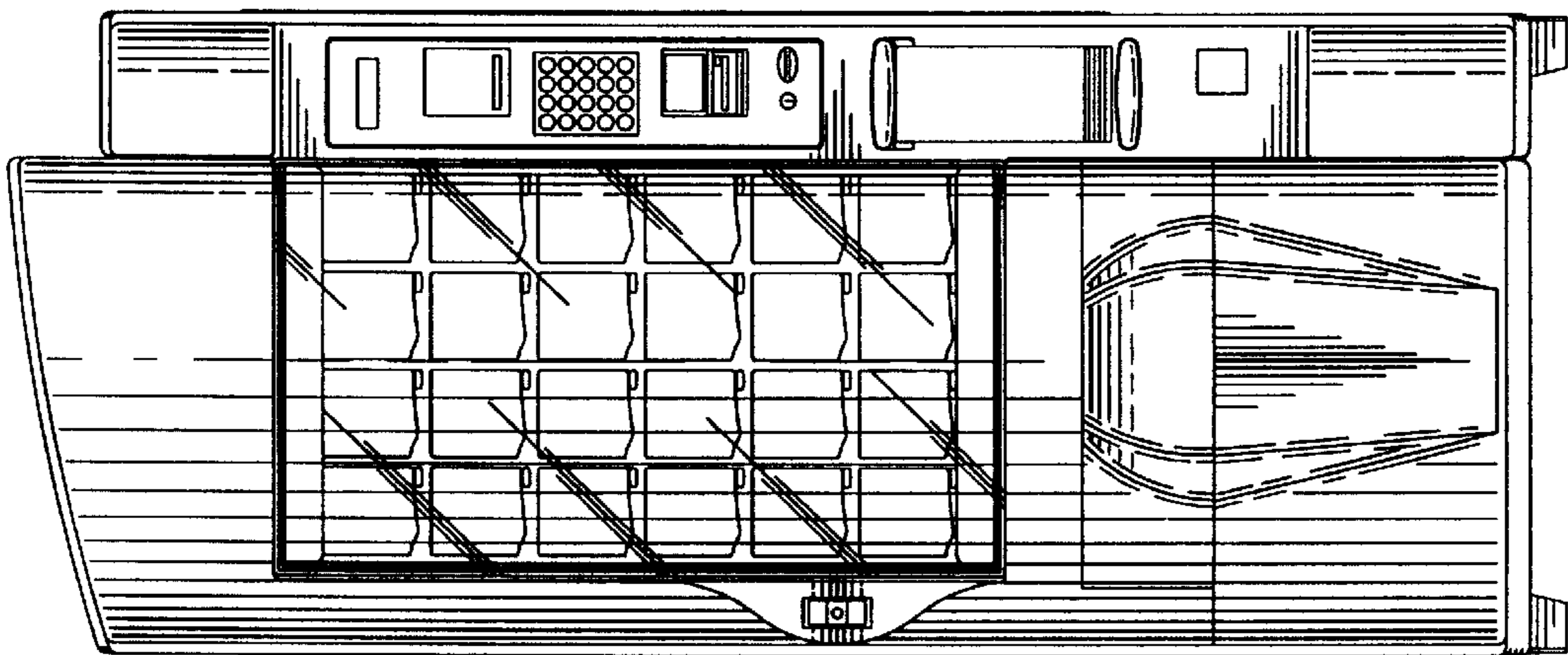


FIG. 15

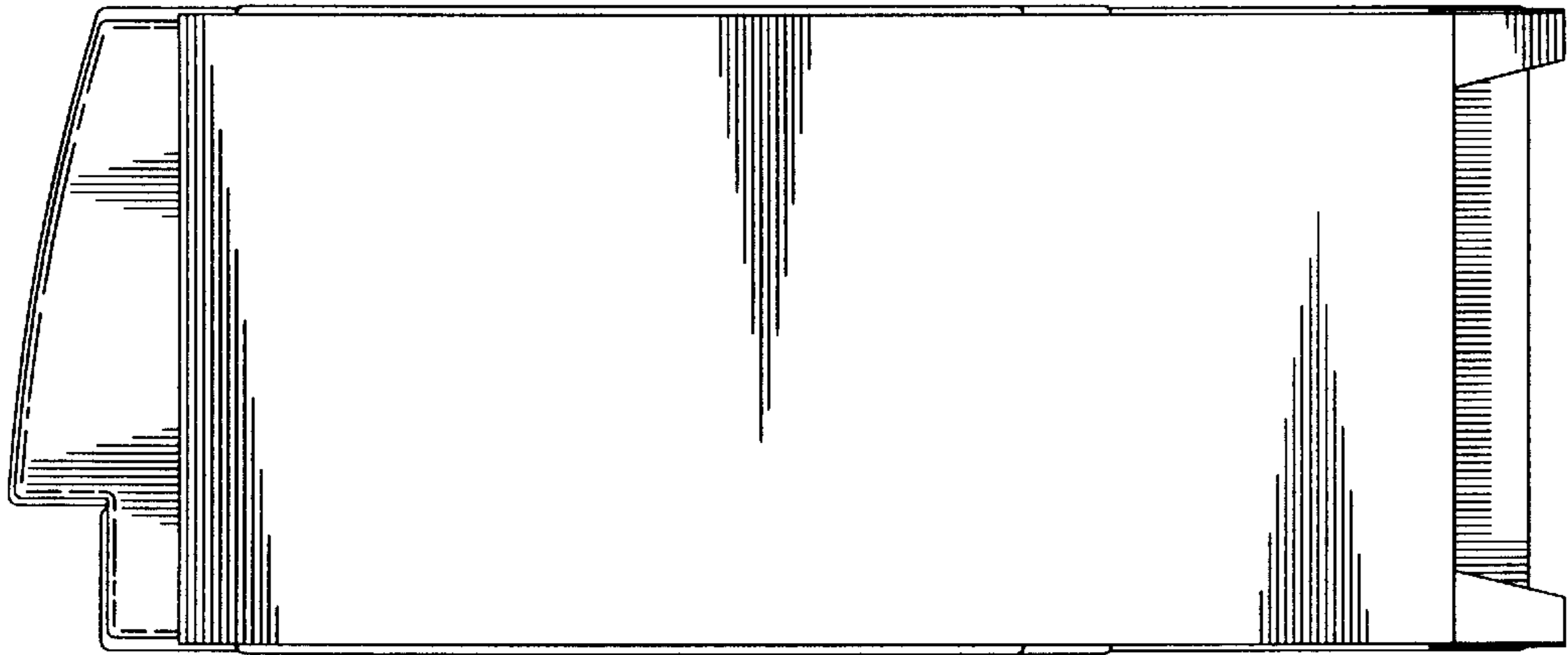


FIG. 18

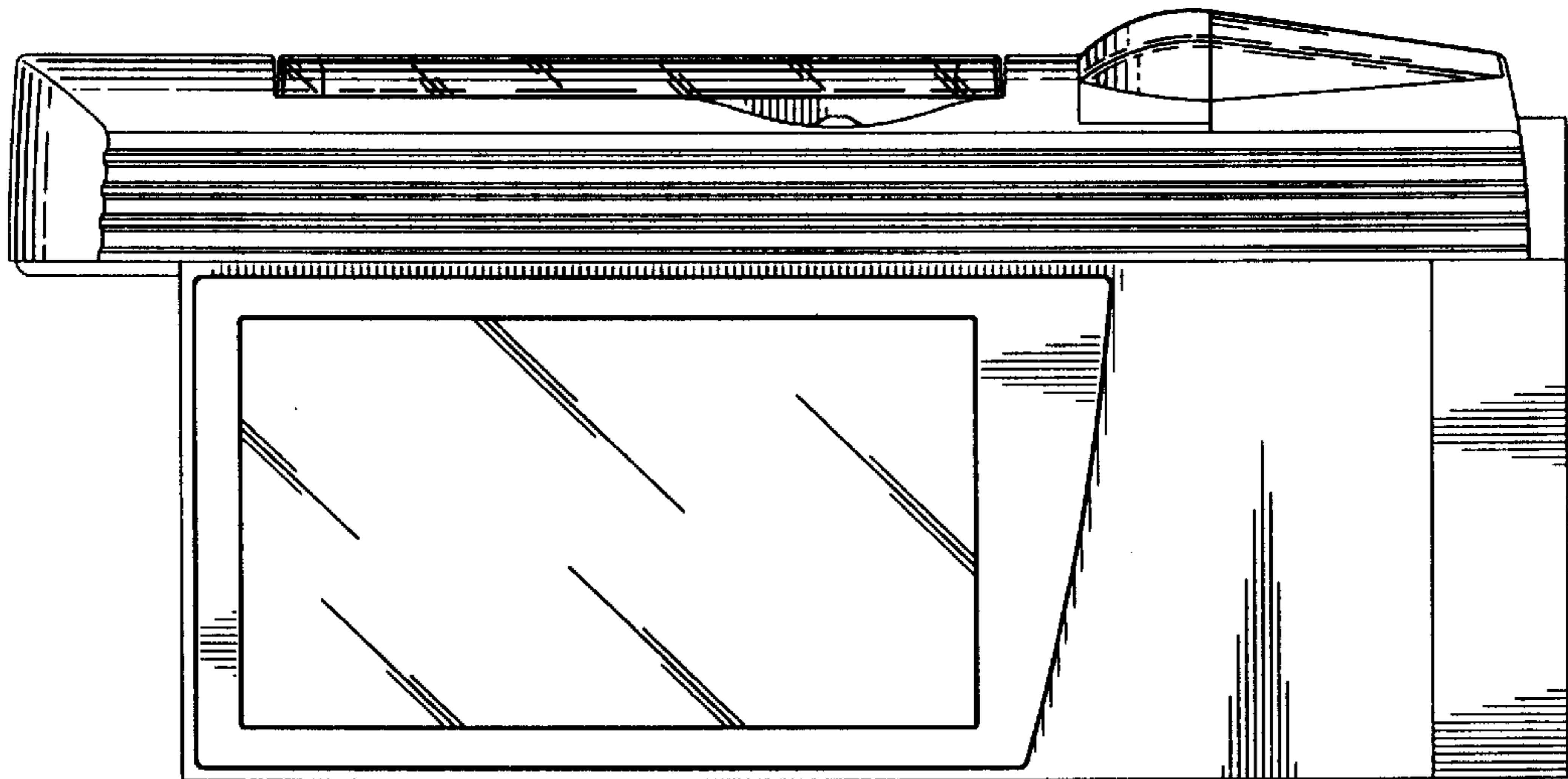


FIG. 17

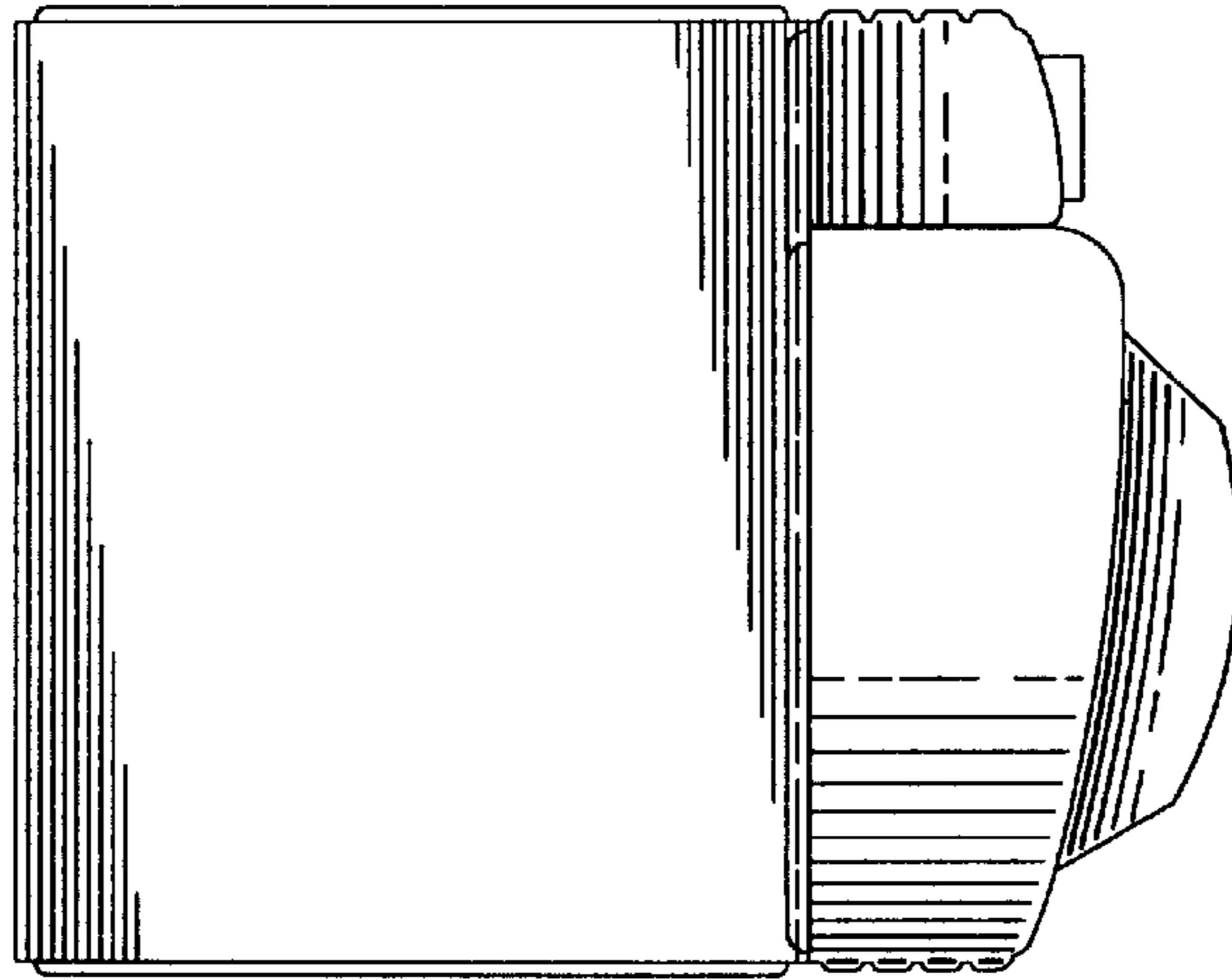


FIG. 20

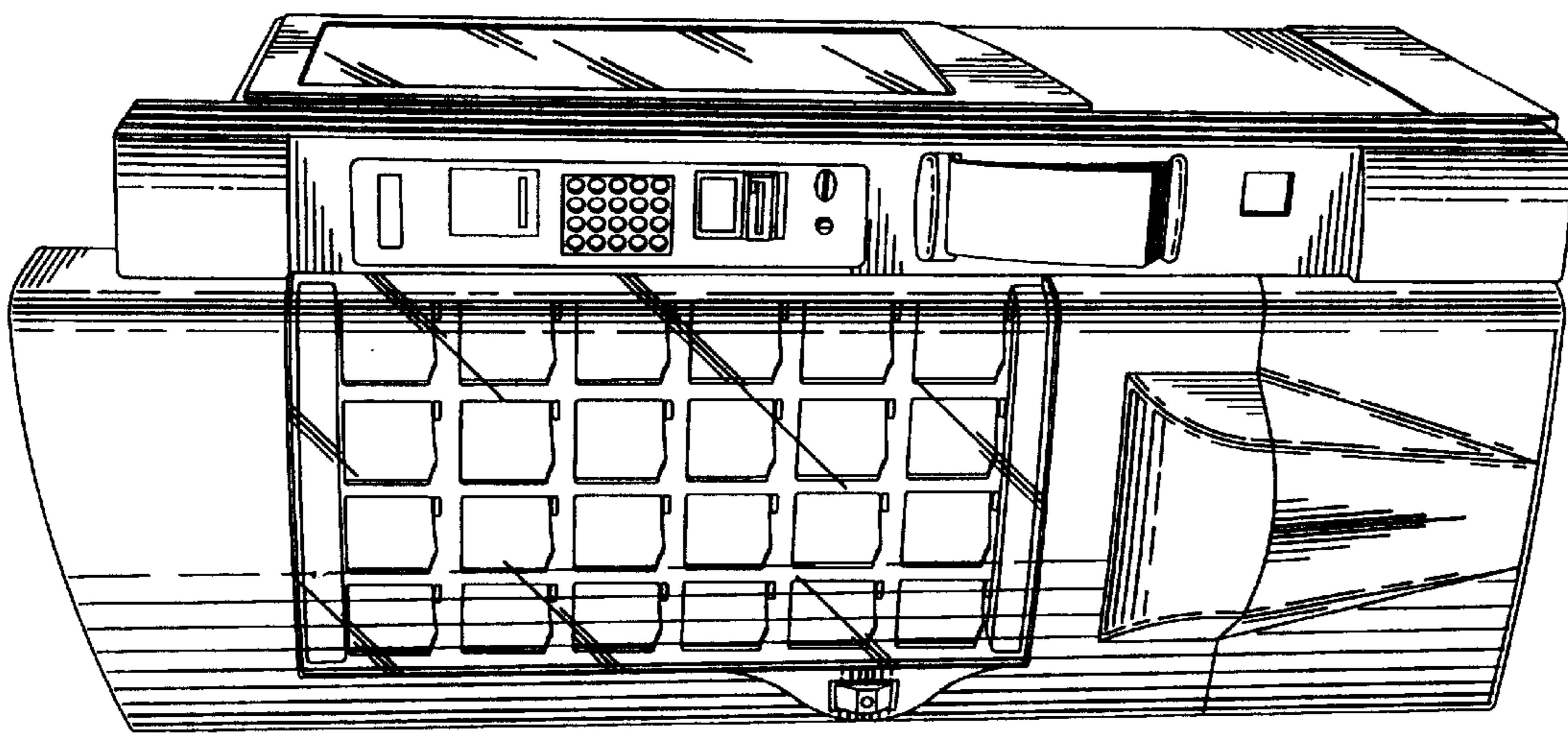


FIG. 19

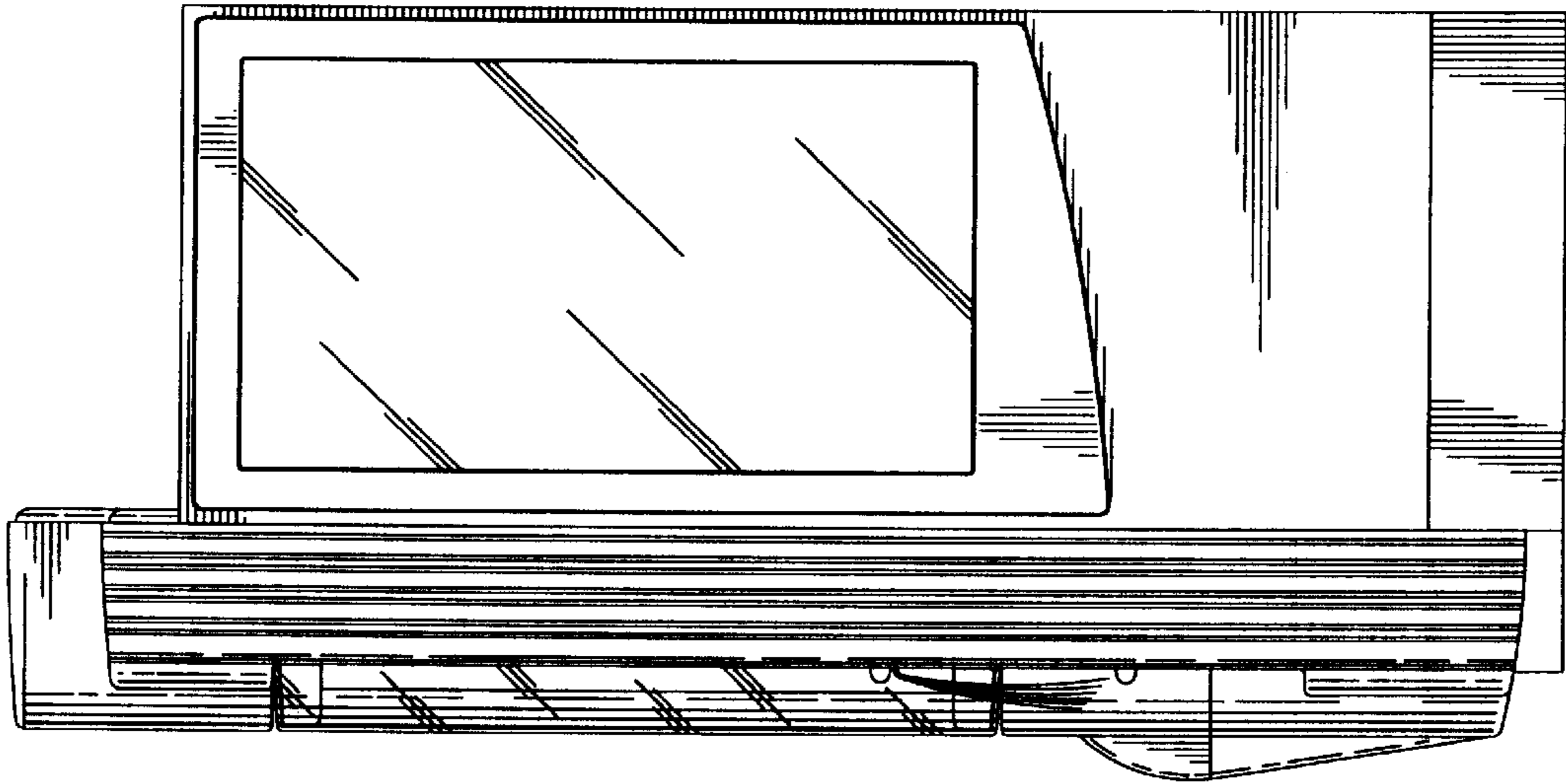


FIG. 22

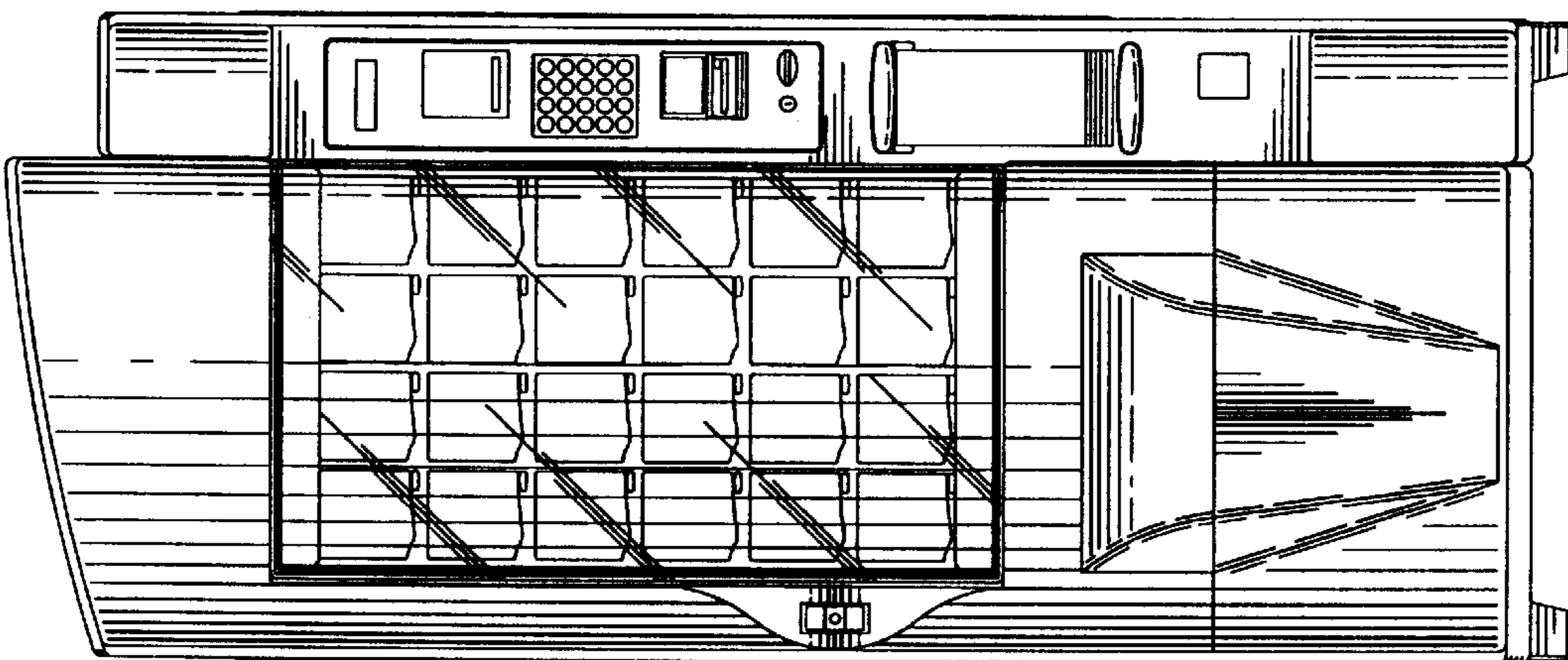


FIG. 21



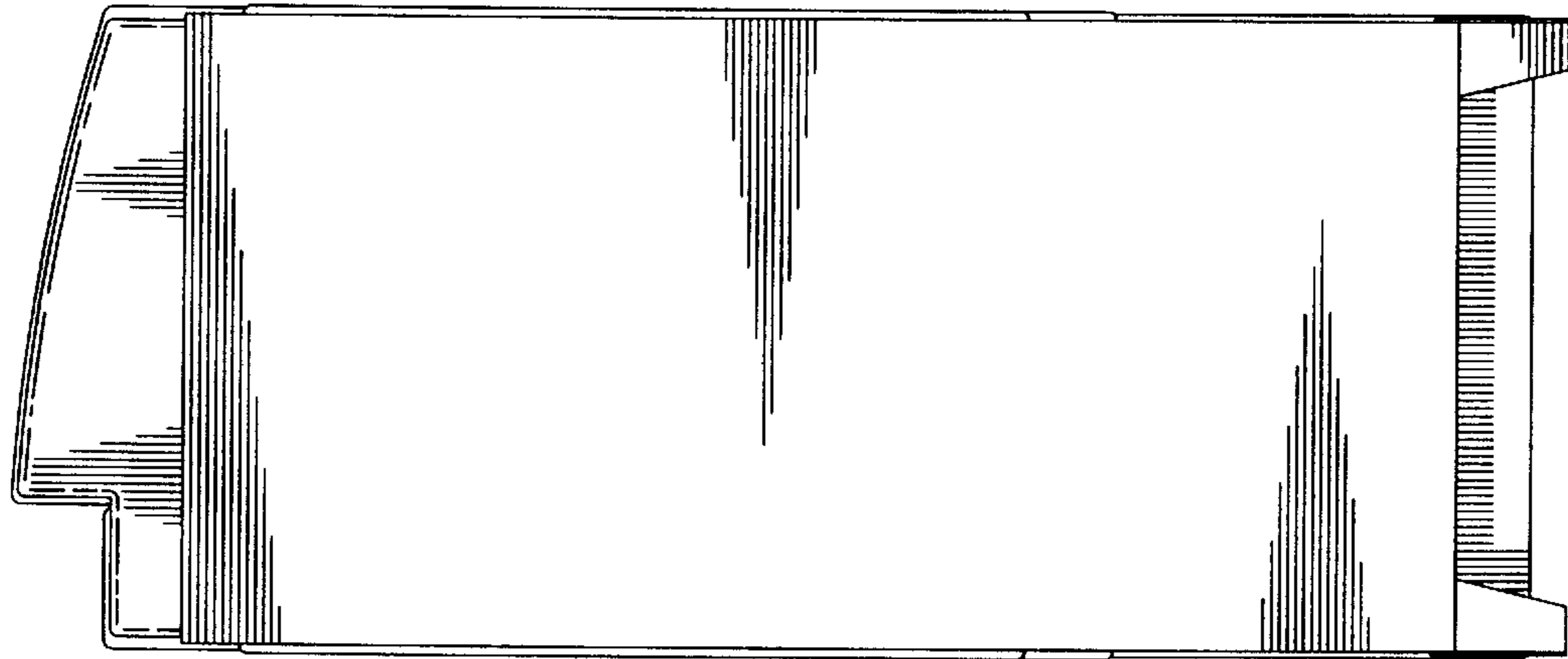


FIG. 24

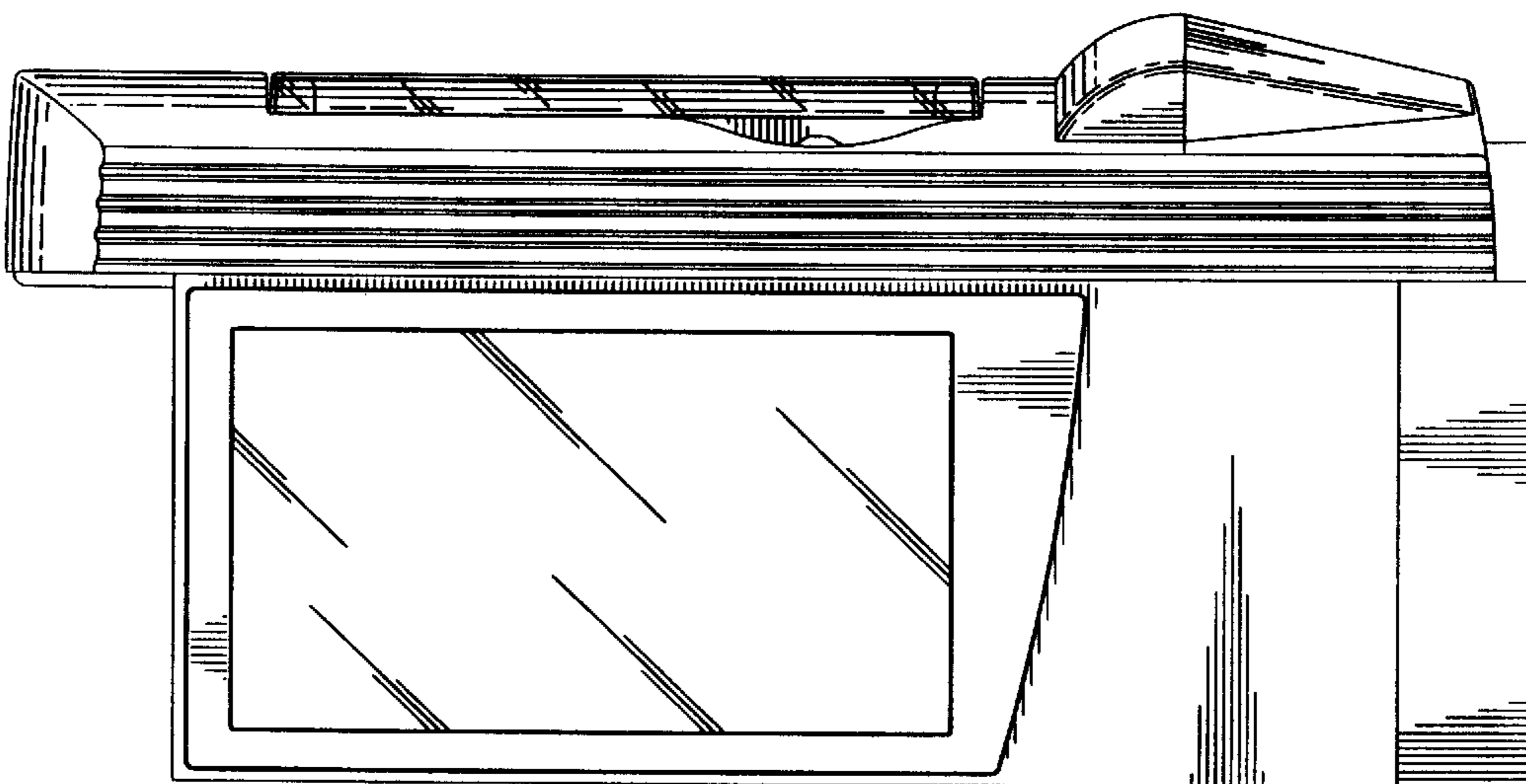


FIG. 23