



US00D443650S

(12) **United States Design Patent**  
**Greenberg**

(10) **Patent No.:** **US D443,650 S**

(45) **Date of Patent:** **\*\* Jun. 12, 2001**

(54) **DESKTOP ORGANIZER**

(76) Inventor: **Mack Greenberg**, 185 W. MacArthur Blvd., Oakland, CA (US) 94611

(\*\*) Term: **14 Years**

(21) Appl. No.: **29/122,843**

(22) Filed: **May 1, 2000**

(51) **LOC (7) Cl.** ..... **19-02**

(52) **U.S. Cl.** ..... **D19/90; D19/86; D19/95; D7/634**

(58) **Field of Search** ..... D19/65, 75, 78, D19/81-86, 90, 91, 95, 99, 100, 34.3; D7/504, 631, 632, 634; 211/10, 11, 13.1, 42, 44, 45, 50, 126.13; 206/557; D11/157, 160; D9/315

(56) **References Cited**

**U.S. PATENT DOCUMENTS**

D. 71,786	*	1/1927	Finstone	.....	D19/84
D. 155,972	*	11/1949	Craven	.....	D9/315
D. 156,933	*	1/1950	Beghetti	.....	D7/634
D. 177,688	*	5/1956	Mina	.....	D11/160
202,959	*	4/1878	Pearson	.....	211/42
D. 236,113	*	7/1975	Moore et al.	.....	D19/84
D. 421,272	*	2/2000	Patel	.....	D19/90

\* cited by examiner

*Primary Examiner*—Martie K. Holtje  
(74) *Attorney, Agent, or Firm*—Brian Beverly

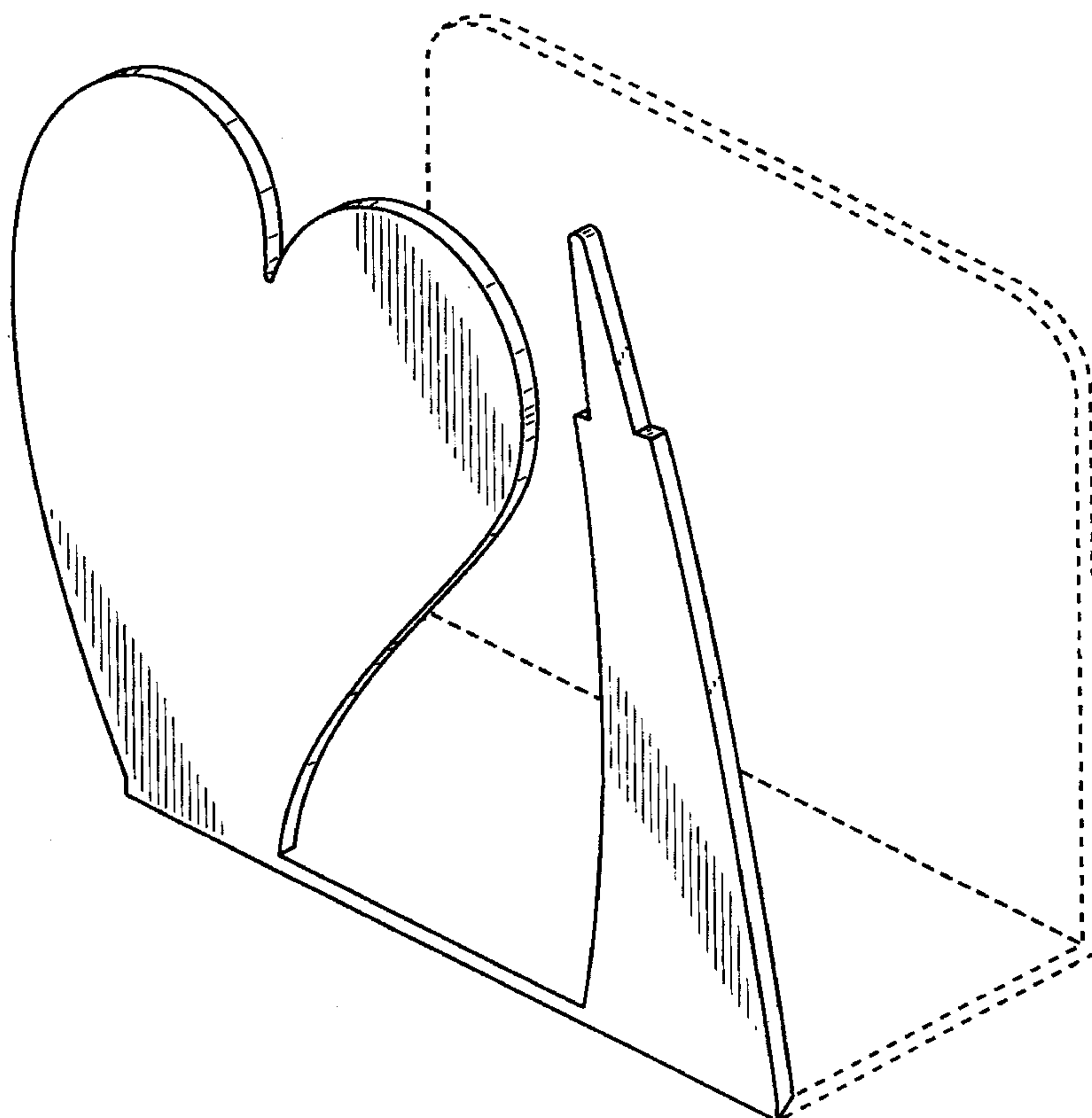
(57) **CLAIM**

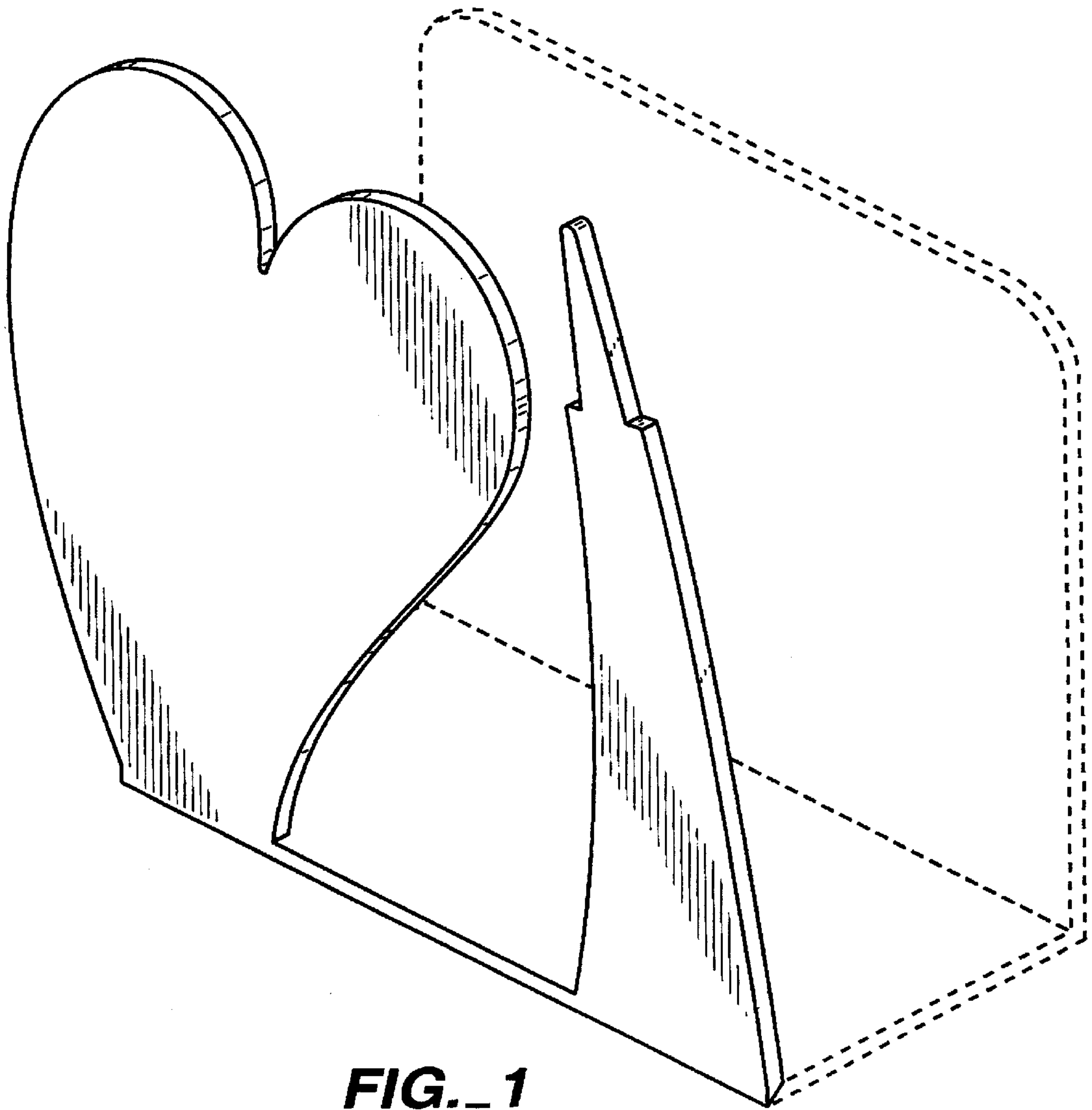
I claim the ornamental design for a desktop organizer, as shown and described.

**DESCRIPTION**

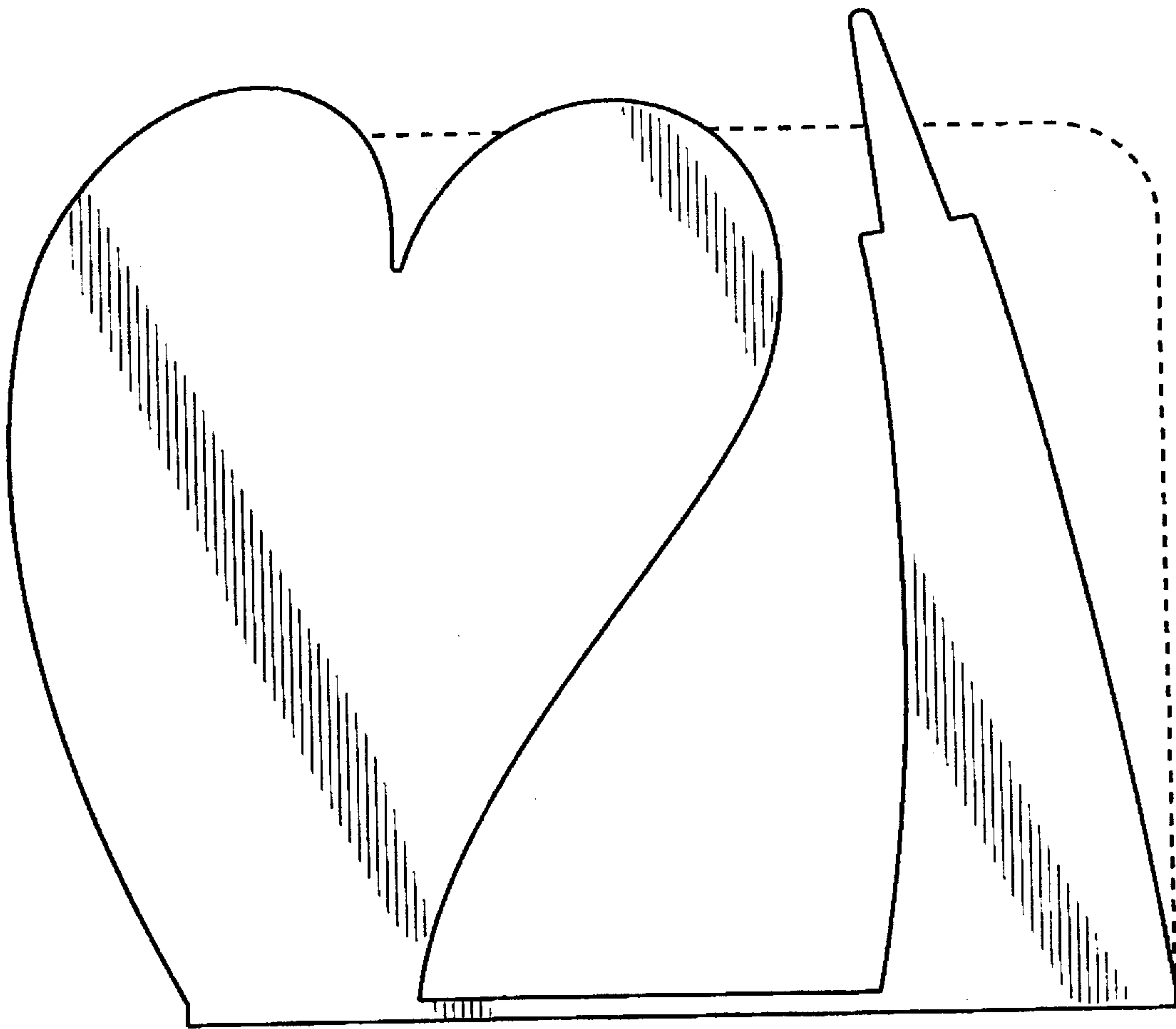
FIG. 1 is a perspective view of a desktop organizer showing my new design;  
 FIG. 2 is a front elevation view of the desktop organizer of FIG. 1;  
 FIG. 3 is a side elevation view of the desktop organizer of FIG. 1;  
 FIG. 4 is a rear elevation view of the desktop organizer of FIG. 1;  
 FIG. 5 is a side elevation from the opposite side of the desktop organizer shown in FIG. 3;  
 FIG. 6 is a top plan view of the desktop organizer of FIG. 1; and,  
 FIG. 7 is a bottom plan view of the desktop organizer of FIG. 1.  
 The structure depicted by means of broken lines in FIGS. 1, 2, 3 and 6 has been shown for illustrative purposes only and forms no part of the claimed design.

**1 Claim, 4 Drawing Sheets**

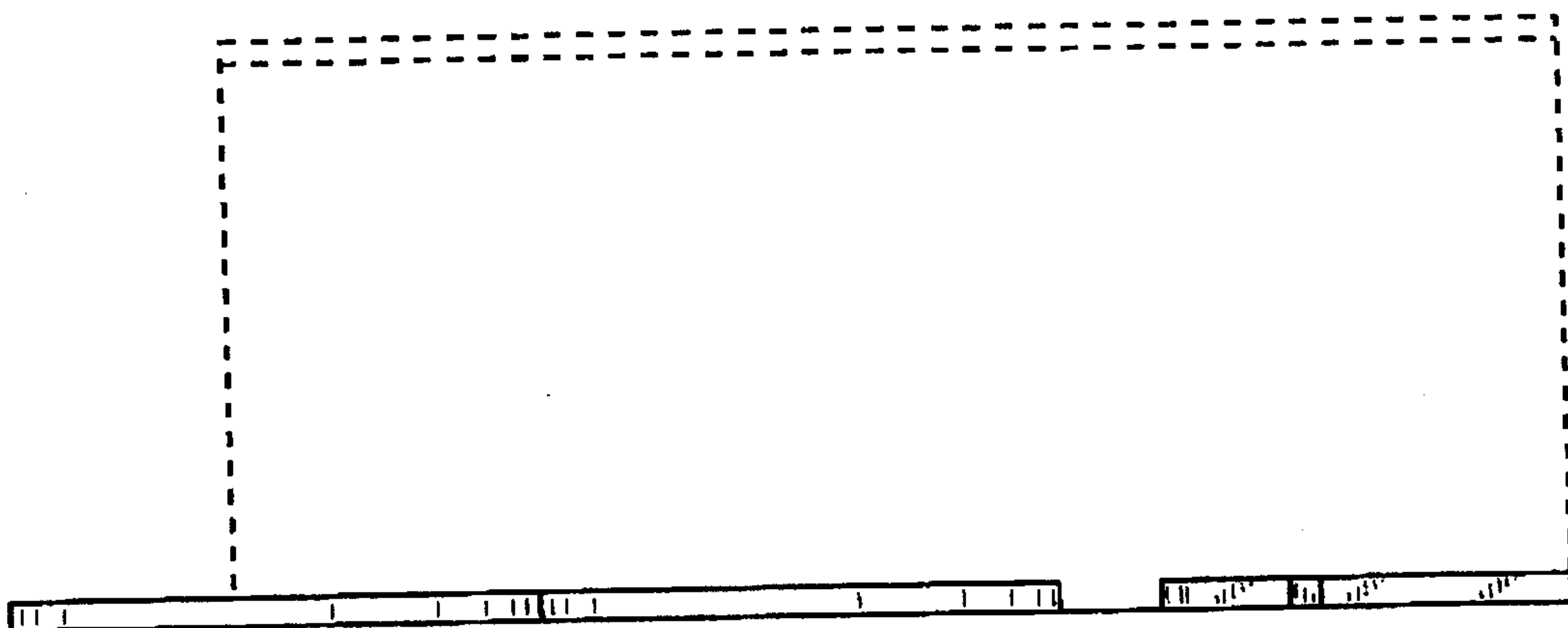




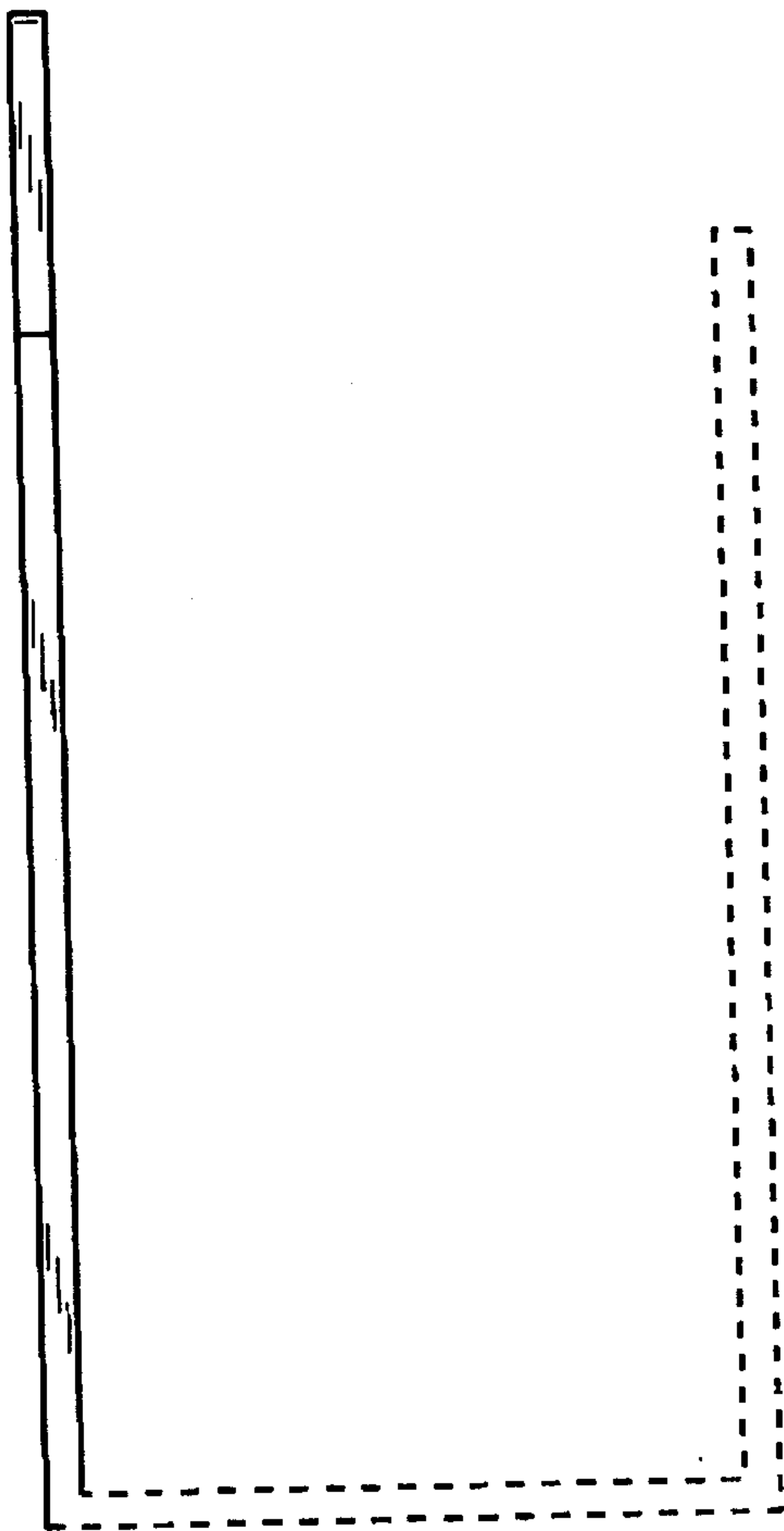
**FIG. 1**



**FIG.\_2**



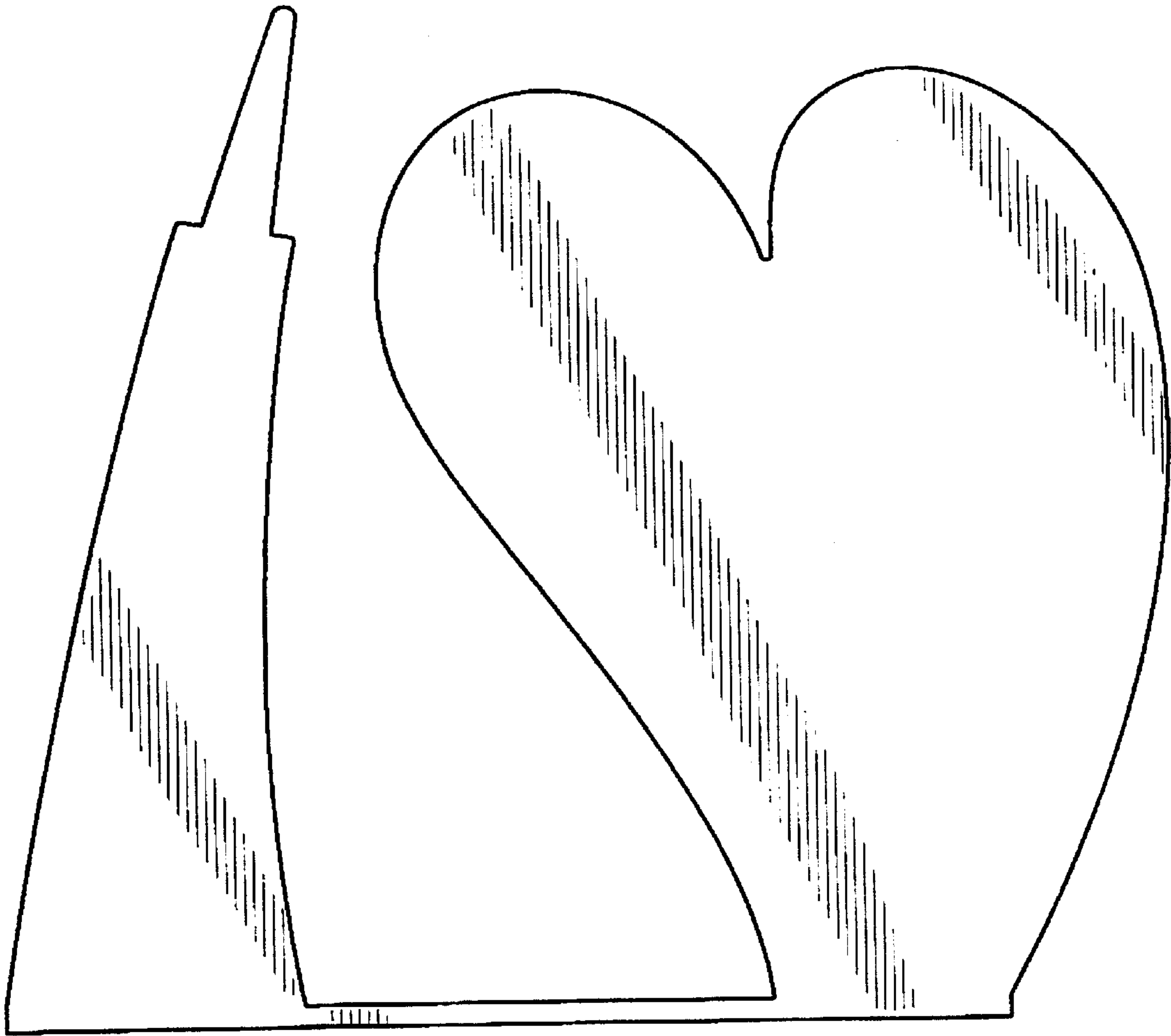
**FIG.\_6**



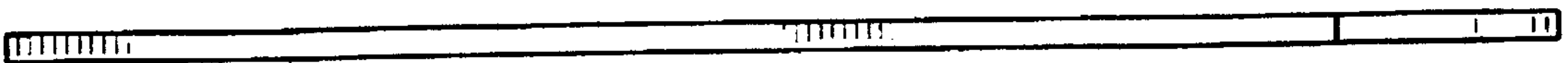
**FIG. 3**



**FIG. 5**



**FIG. 4**



**FIG. 7**