



US00D443648S

(12) **United States Design Patent**  
**Bobinsky**

(10) **Patent No.:** **US D443,648 S**

(45) **Date of Patent:** **\*\* Jun. 12, 2001**

(54) **WRITING AID**

(76) **Inventor:** **Robert F. Bobinsky**, 1724 Bristol Walk, Hoffman Estates, IL (US) 60195

(\*\*) **Term:** **14 Years**

(21) **Appl. No.:** **29/115,331**

(22) **Filed:** **Dec. 13, 1999**

(51) **LOC (7) Cl.** ..... **19-06**

(52) **U.S. Cl.** ..... **D19/81; D19/36**

(58) **Field of Search** ..... D19/65, 81-85, D19/99, 100; D11/2; 211/69.1-69.9; 24/3.2, 11 CT, DIG. 11; 401/6, 7, 8, 52, 88, 195; 224/162, 183, 219, 247, 584, 901; 248/205.3

(56) **References Cited**

**U.S. PATENT DOCUMENTS**

D. 174,821	*	5/1955	Laudani	.....	401/7
D. 206,684	*	1/1967	Bevilacqua	.....	D21/398 X
1,482,647	*	2/1924	Gise	.....	24/3.2
1,603,044	*	10/1926	Gise	.....	401/6

1,840,563	*	1/1932	Brosius, Jr.	.....	24/11 CT
2,165,625	*	7/1939	Fessel	.....	224/219
2,793,617	*	5/1957	Palmer	.....	401/195 X
3,627,182	*	12/1971	Calkins	.....	224/584

\* cited by examiner

*Primary Examiner*—Martie K. Holtje

(57) **CLAIM**

The ornamental design for a writing aid, as shown and described.

**DESCRIPTION**

FIG. 1 is a front elevational view of the writing aid showing my new design;  
FIG. 2 is a rear elevational view thereof;  
FIG. 3 is a right side view thereof;  
FIG. 4 is a left side view thereof;  
FIG. 5 is a top plan view thereof;  
FIG. 6 is a bottom plan view thereof; and,  
FIG. 7 is a perspective view thereof.

**1 Claim, 4 Drawing Sheets**

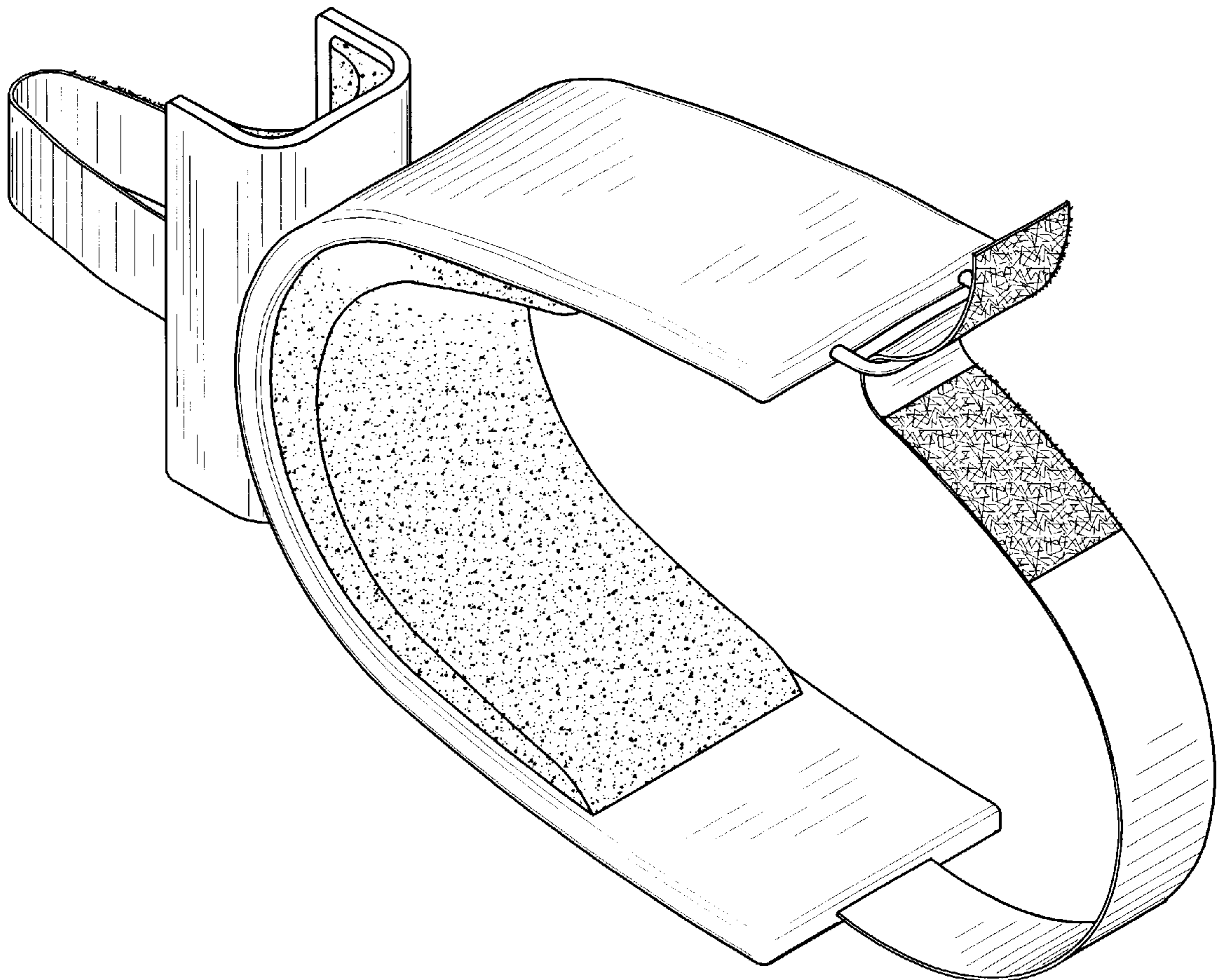


FIG. 1

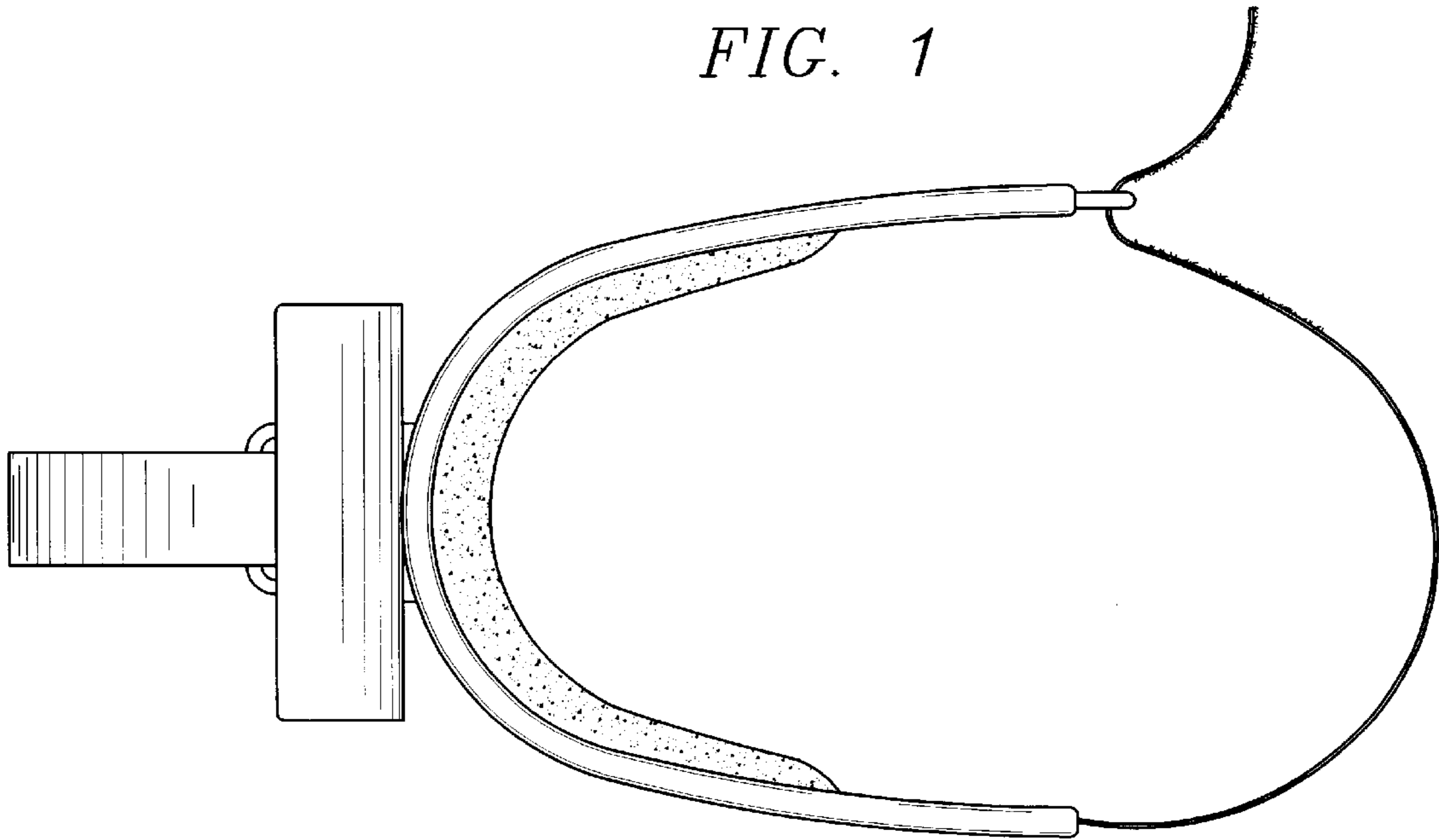
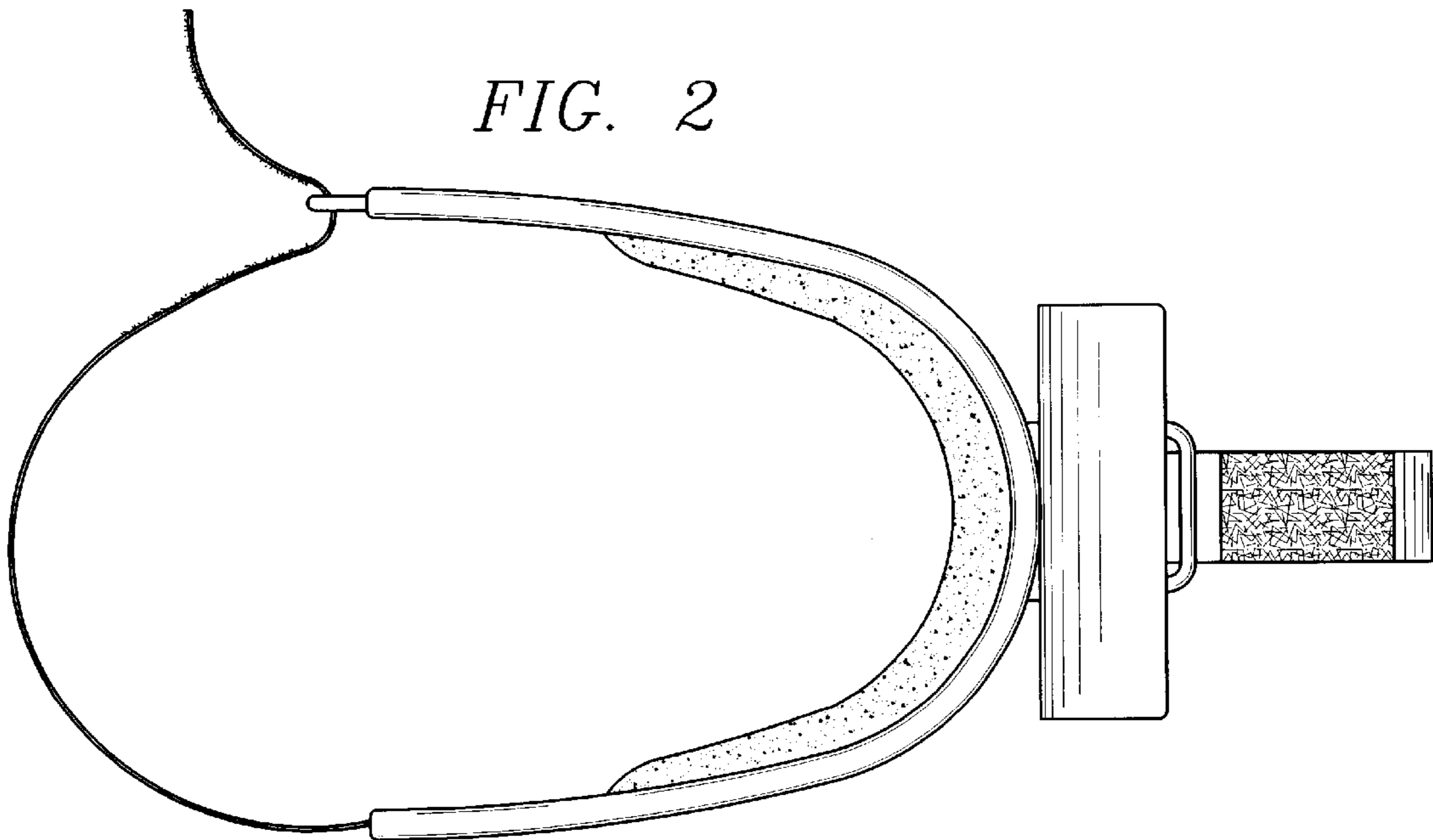
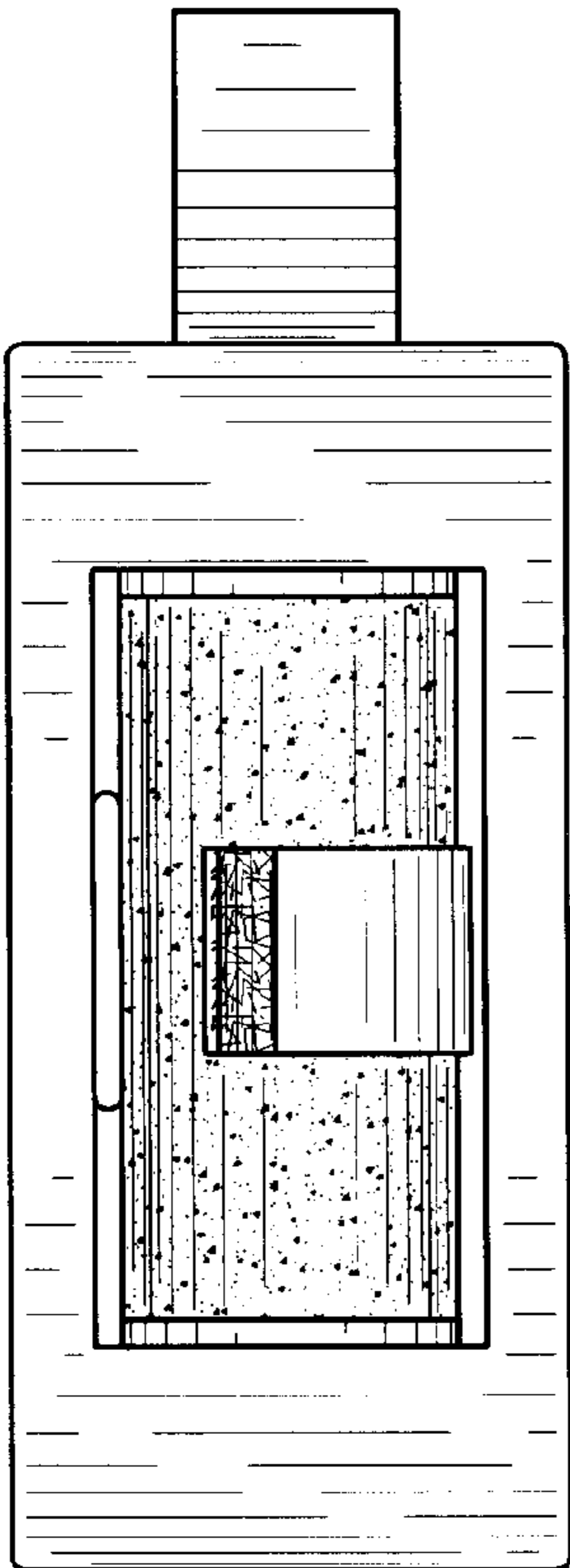


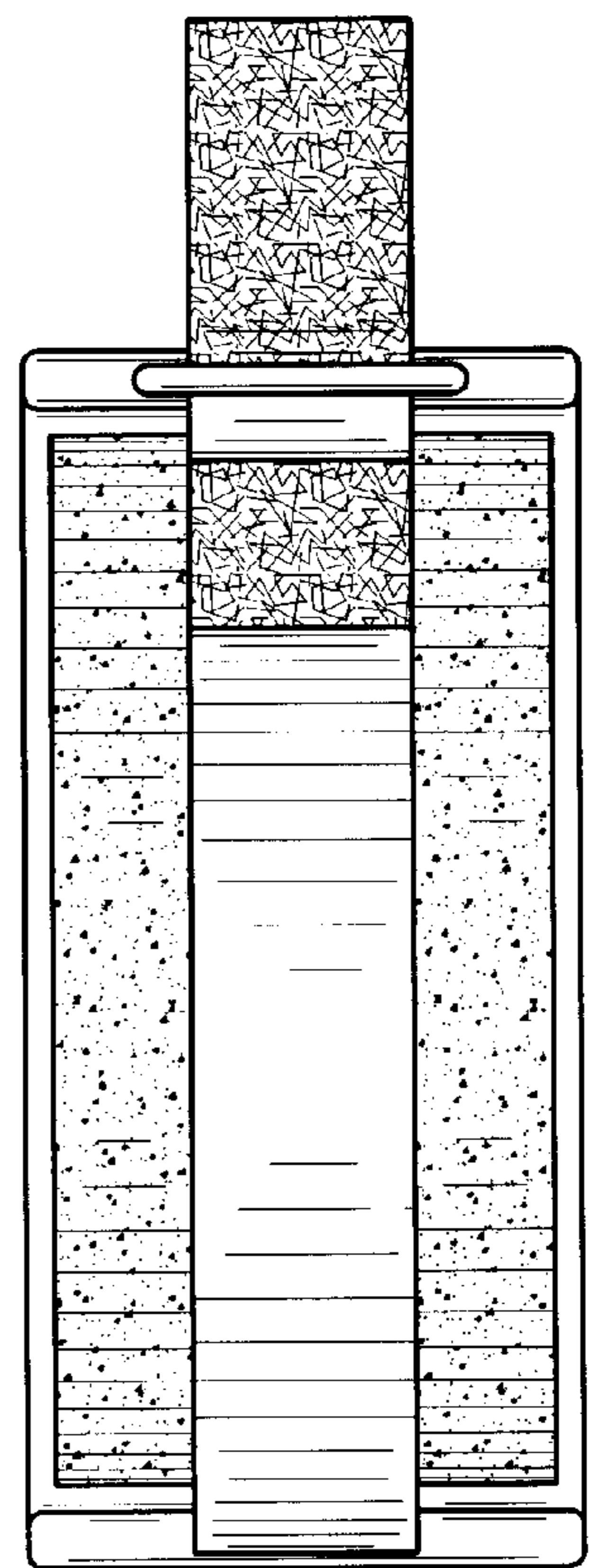
FIG. 2



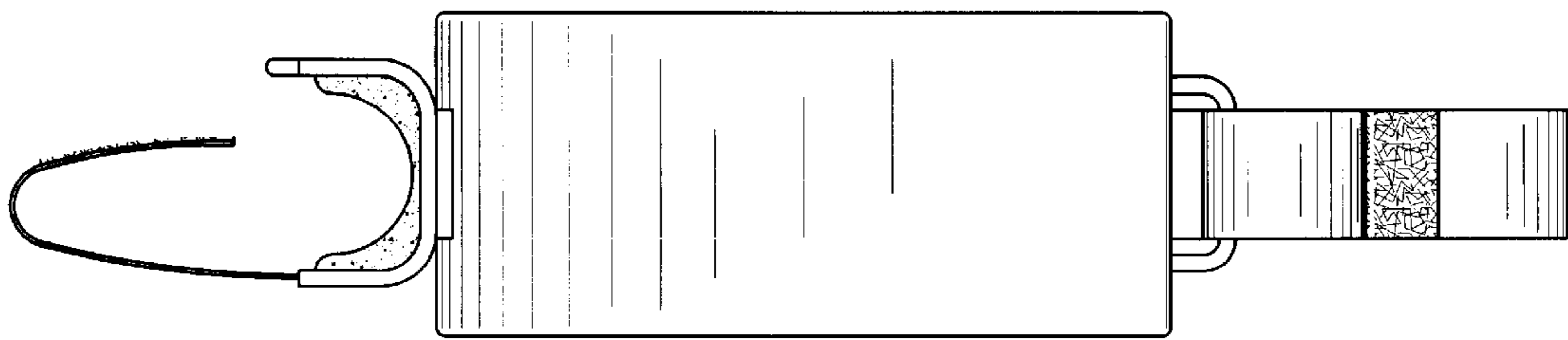
*FIG. 3*



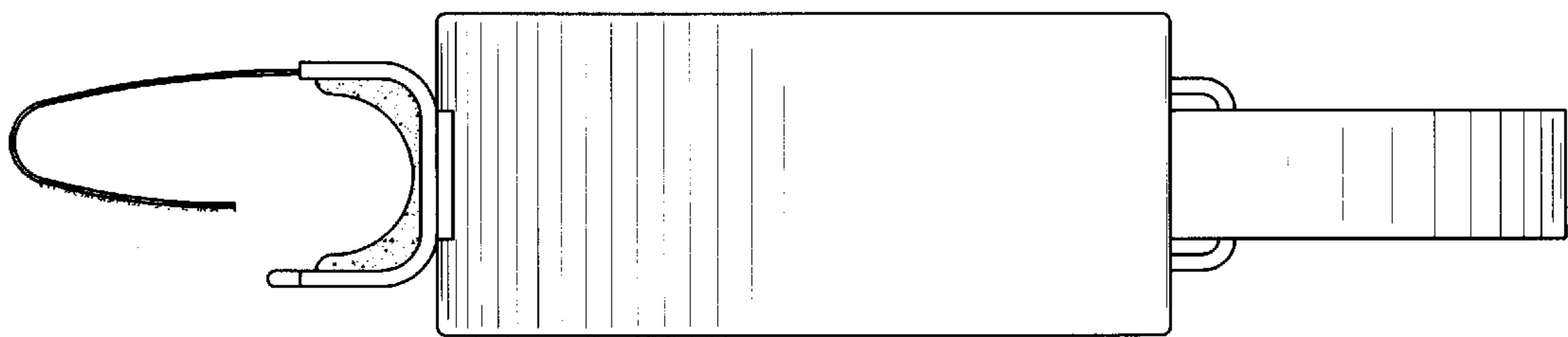
*FIG. 4*



*FIG. 5*



*FIG. 6*



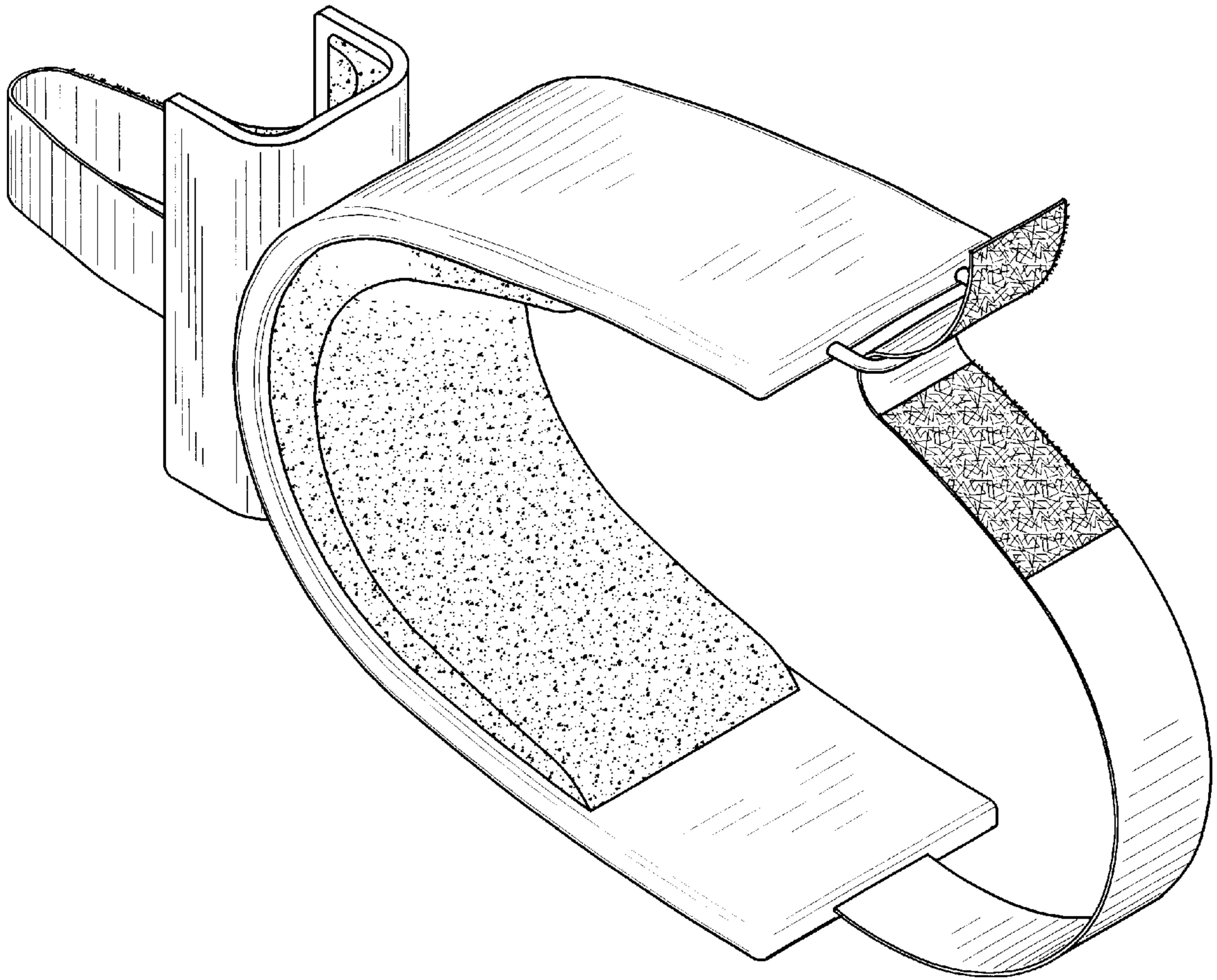


FIG. 7