



US00D443641S

(12) **United States Design Patent**
Mader

(10) **Patent No.:** **US D443,641 S**

(45) **Date of Patent:** **** Jun. 12, 2001**

(54) **COMBINED INK DABBER AND ADHESIVE STICK**

(76) **Inventor:** **Suzan H Mader**, 2327 E. Main Rd.,
Portsmouth, RI (US) 02871

(**) **Term:** **14 Years**

(21) **Appl. No.:** **29/130,652**

(22) **Filed:** **Oct. 6, 2000**

(51) **LOC (7) Cl.** **19-06**

(52) **U.S. Cl.** **D19/36; D19/51; D19/69**

(58) **Field of Search** D19/67-69, 35,
D19/36, 41-51, 53-58, 66, 65, 81-85;
222/92; 401/16, 17, 19, 23, 25, 29, 34,
52, 195, 202, 262, 243-247; D28/7; D18/15

(56) **References Cited**

U.S. PATENT DOCUMENTS

D. 175,548	*	9/1955	Kane	D19/36
D. 205,330		7/1966	Capezzuto	.	
D. 279,992	*	8/1985	Gribb	D19/43
D. 330,388	*	10/1992	Choi	D19/36
D. 410,673	*	6/1999	Martin et al.	D18/15
D. 422,748	*	4/2000	Lang	D28/7
2,488,179	*	11/1949	Engel	401/6
3,369,543	*	2/1968	Ronco	222/92 X
3,393,963		7/1968	Nadai	.	
3,436,163		4/1969	Calabrese et al.	.	

4,035,090	*	7/1977	Bavaveas	401/25
4,557,618	*	12/1985	Iwata et al.	401/34
4,863,171		9/1989	Rocheleau	.	
5,222,823		6/1993	Conforti	.	
5,927,880		7/1999	Allison et al.	.	

* cited by examiner

Primary Examiner—Martie K. Holtje

(57) **CLAIM**

The ornamental design for a combined ink dabber and adhesive stick, as shown and described.

DESCRIPTION

FIG. 1 is a front elevational view of the combined ink dabber and adhesive stick of the present invention, the rear, left and right views being mirror images thereof;

FIG. 2 is a top plan view of the combined ink dabber and adhesive stick of FIG. 1;

FIG. 3 is a bottom plan view of the combined ink dabber and adhesive stick of FIG. 1;

FIG. 4 is a front elevational view in an alternate position (dapper cap attached) of the combined ink dabber and adhesive stick of FIG. 1; and,

FIG. 5 is a front elevational view of an alternate embodiment of FIG. 1 (with tape dispenser) of the combined ink dabber and adhesive stick.

1 Claim, 2 Drawing Sheets

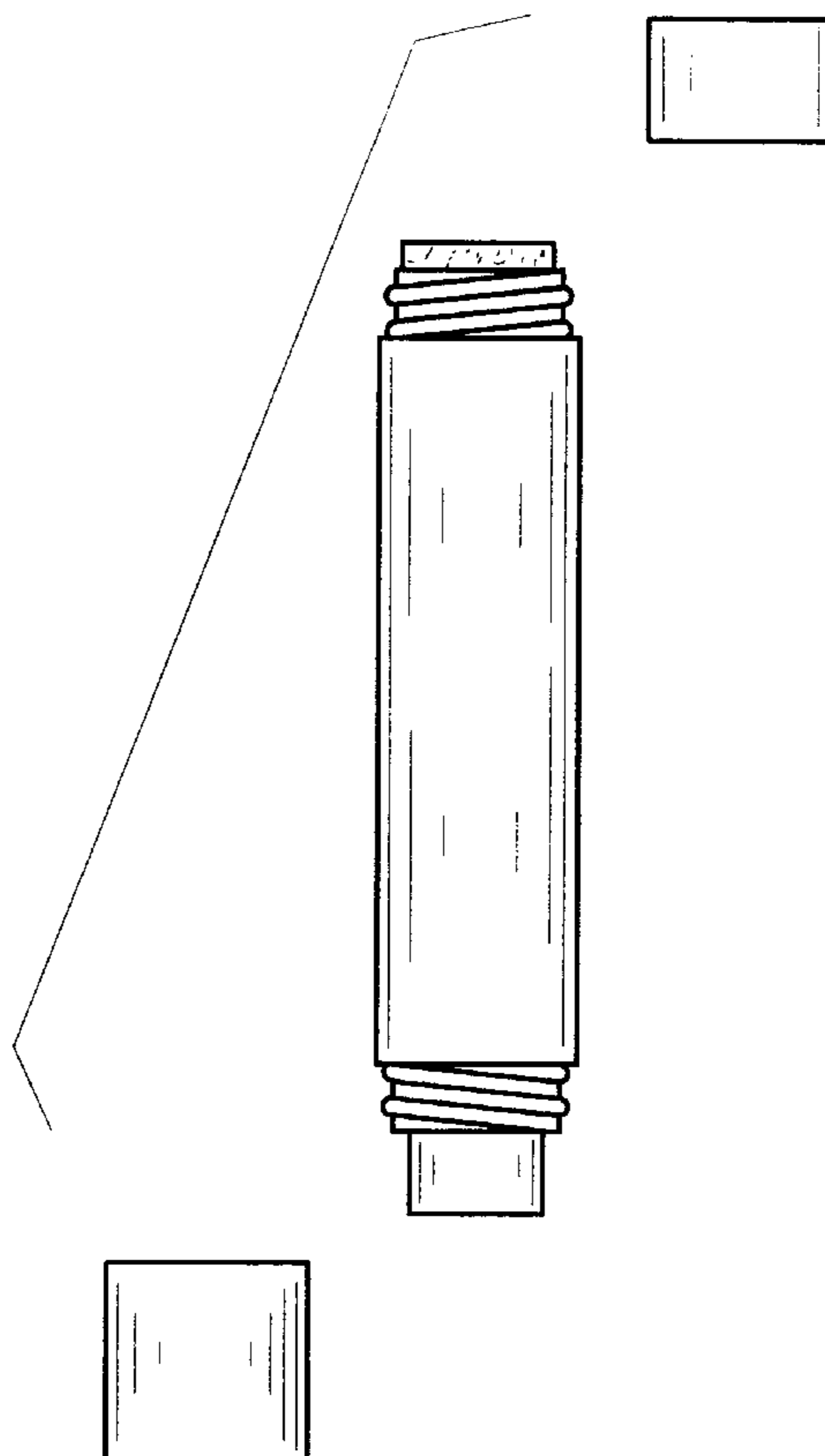


FIG. 1

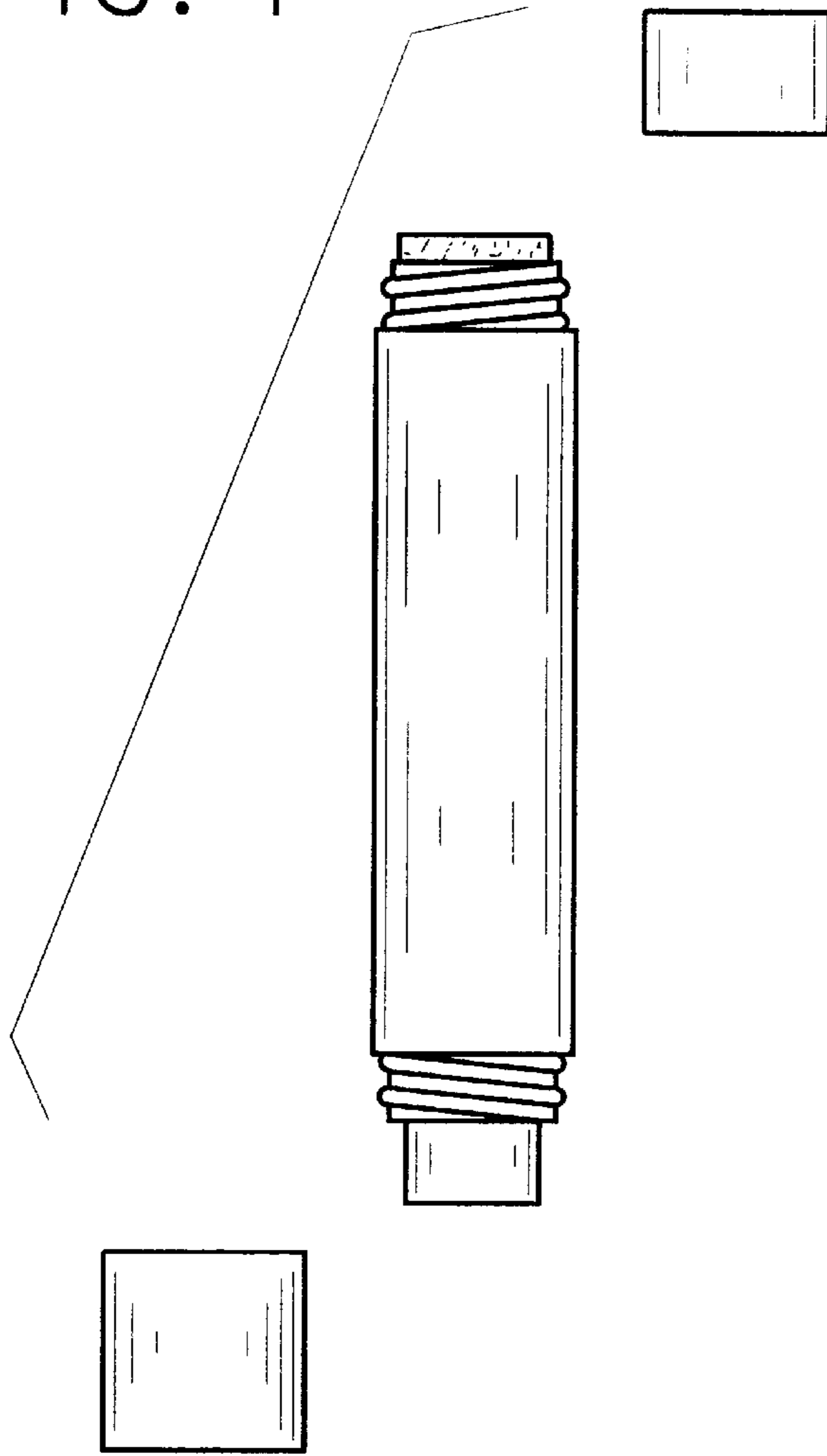


FIG. 3

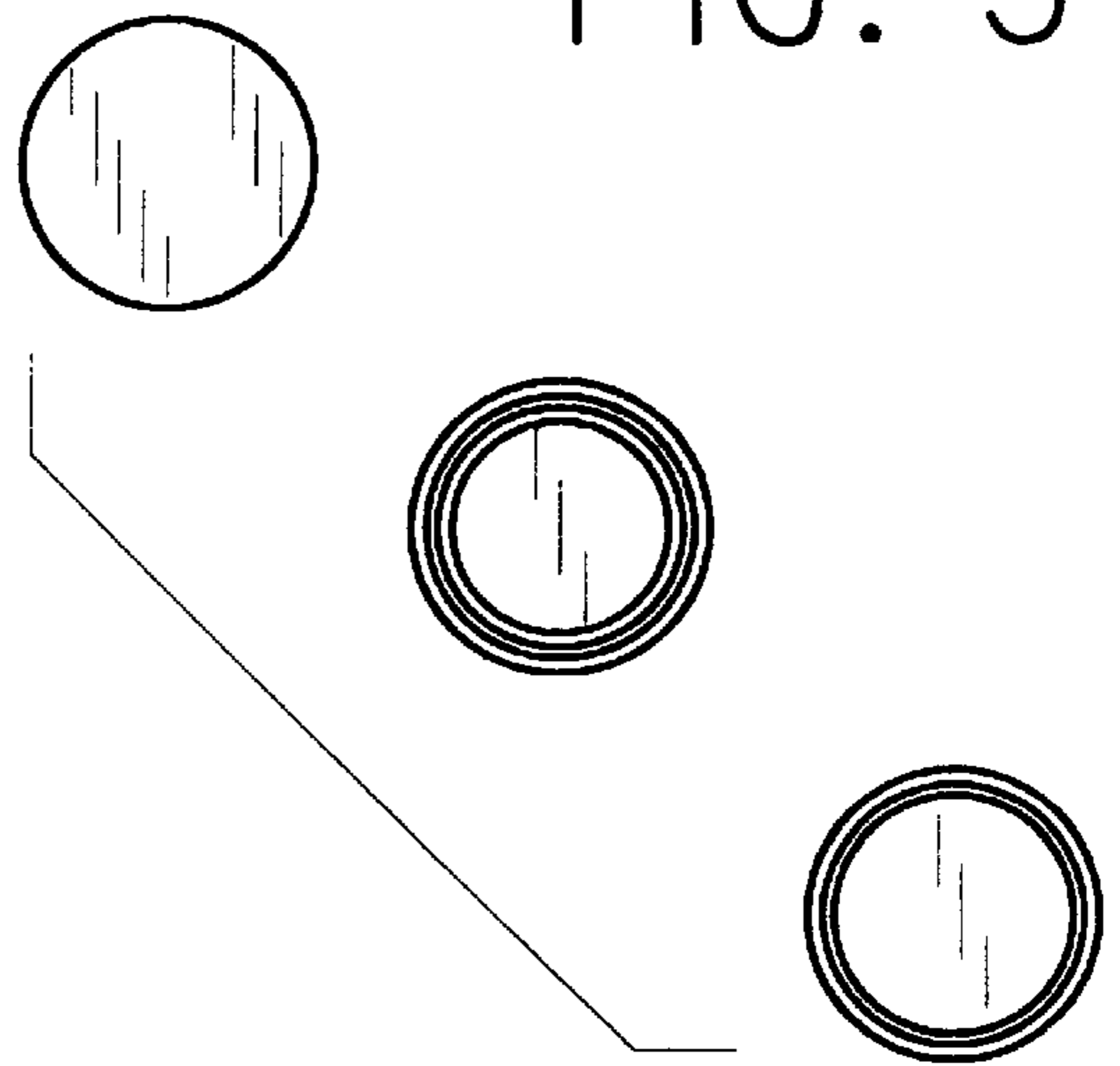
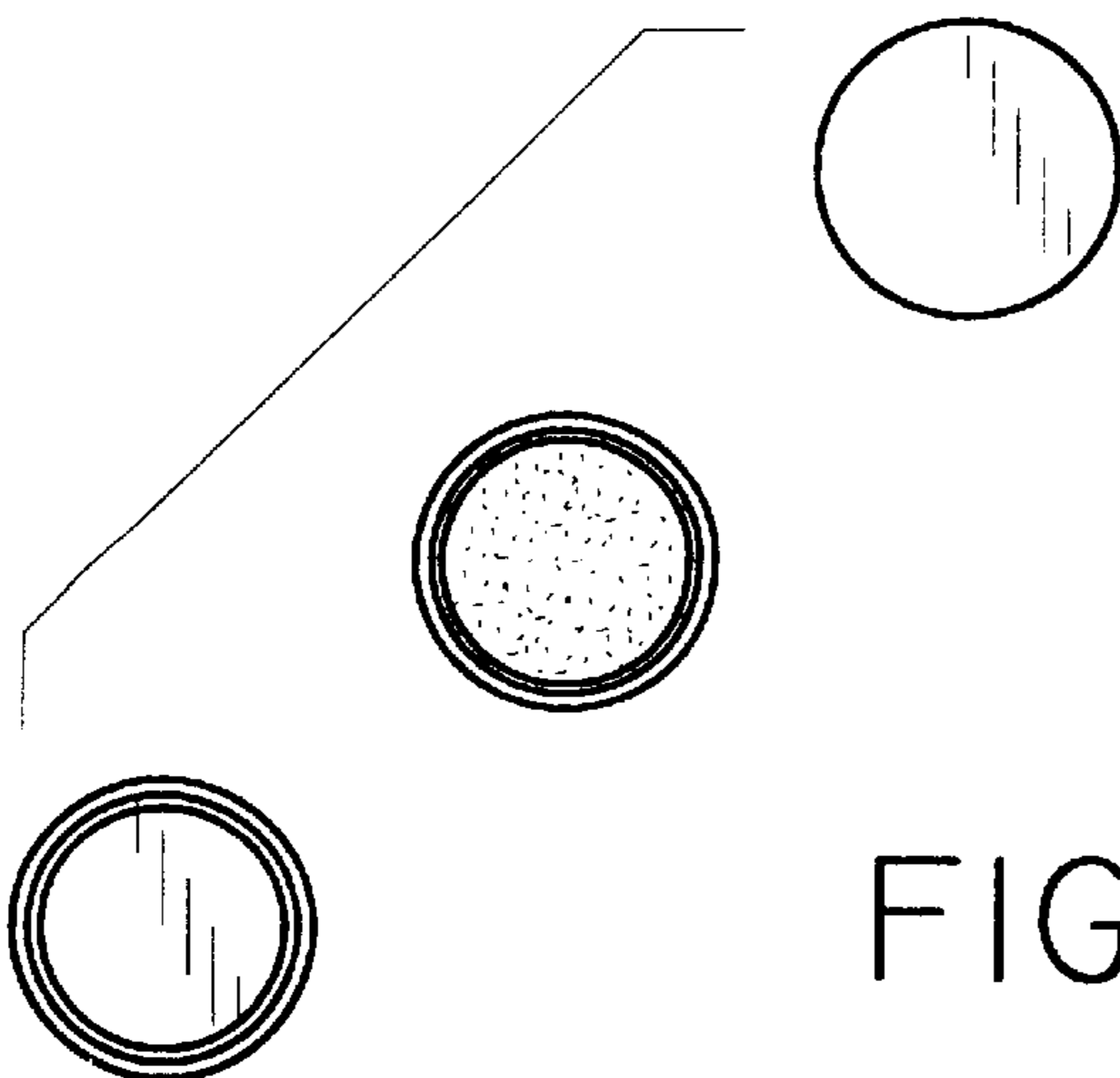


FIG. 2



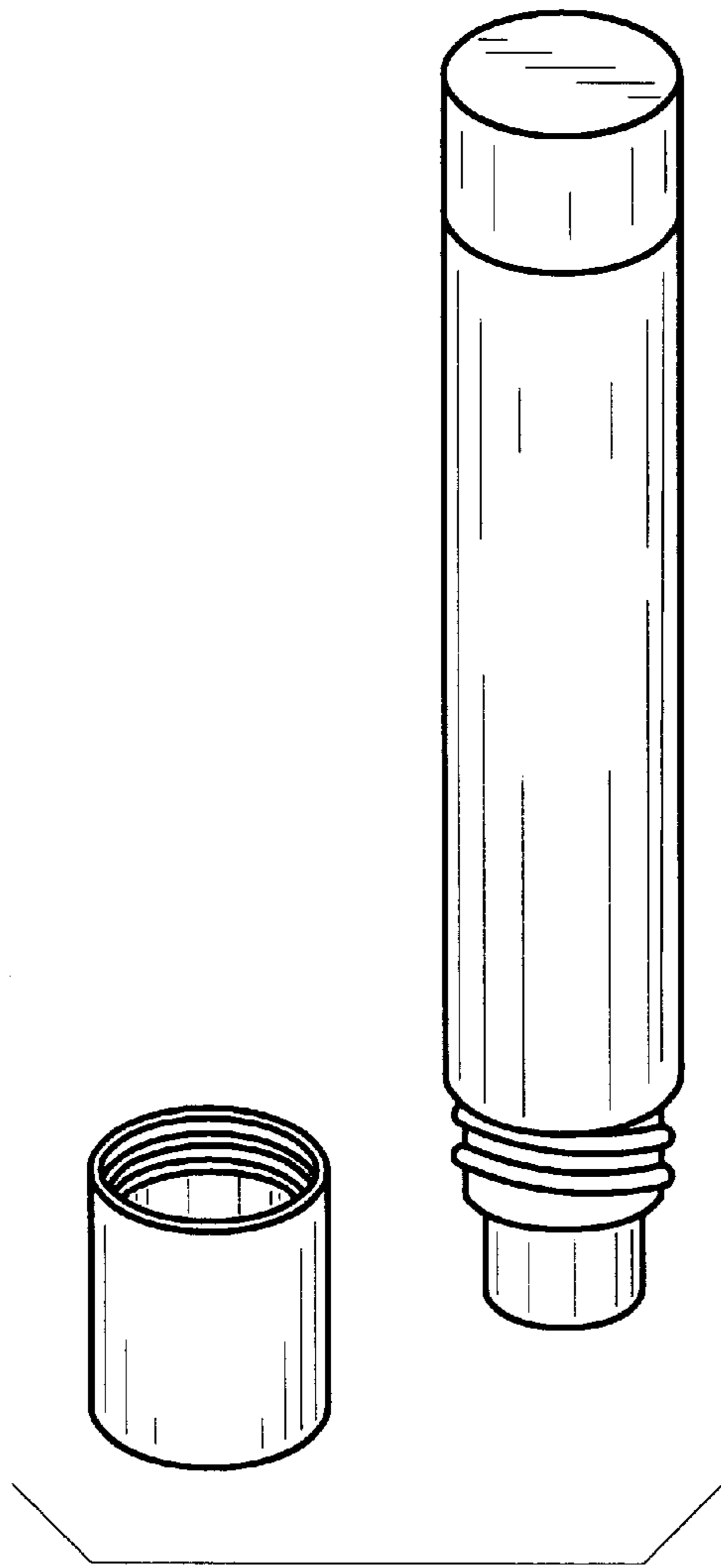


FIG. 4

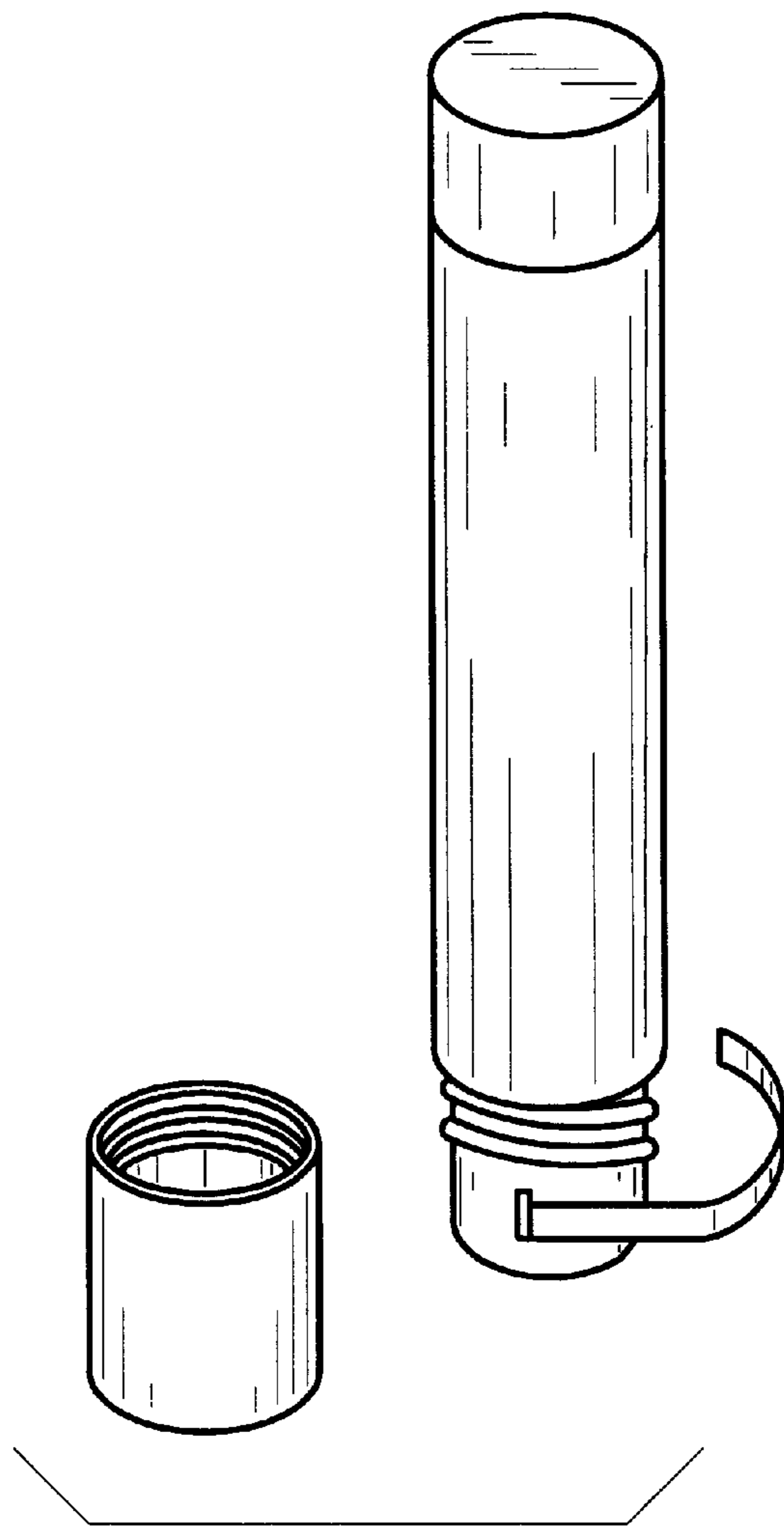


FIG. 5