



US00D443639S

(12) **United States Design Patent**  
**Chou et al.**

(10) **Patent No.:** **US D443,639 S**

(45) **Date of Patent:** **\*\* Jun. 12, 2001**

(54) **INK CARTRIDGE FOR A PRINTER**

(75) Inventors: **Ching-yu Chou; Alan Yeh**, both of Hsin Chu (TW)

(73) Assignee: **Wisertek International Corp. (TW)**

(\*\*) Term: **14 Years**

(21) Appl. No.: **29/119,537**

(22) Filed: **Mar. 3, 2000**

(51) **LOC (7) Cl.** ..... **18-02**

(52) **U.S. Cl.** ..... **D18/56**

(58) **Field of Search** ..... D18/36-39, 56;  
347/86, 87

(56) **References Cited**

**U.S. PATENT DOCUMENTS**

- D. 365,596 \* 12/1995 Miyazawa et al. .... D18/56
- D. 378,760 \* 4/1997 Shinada et al. .... D18/56
- D. 382,296 \* 8/1997 Shinada et al. .... D18/56
- D. 390,261 \* 2/1998 Miyazawa et al. .... D18/56
- D. 397,143 \* 8/1998 Kobayashi et al. .... D18/56

- D. 400,575 \* 11/1998 Kobayashi et al. .... D18/56
- D. 425,112 \* 5/2000 Shinada et al. .... D18/56
- D. 425,285 \* 5/2000 Shinada et al. .... 347/86
- D. 431,833 \* 10/2000 Umemura ..... D18/56
- 6,102,533 \* 8/2000 Nozawa et al. .... 347/86

\* cited by examiner

*Primary Examiner*—Cathy Anne MacCormac

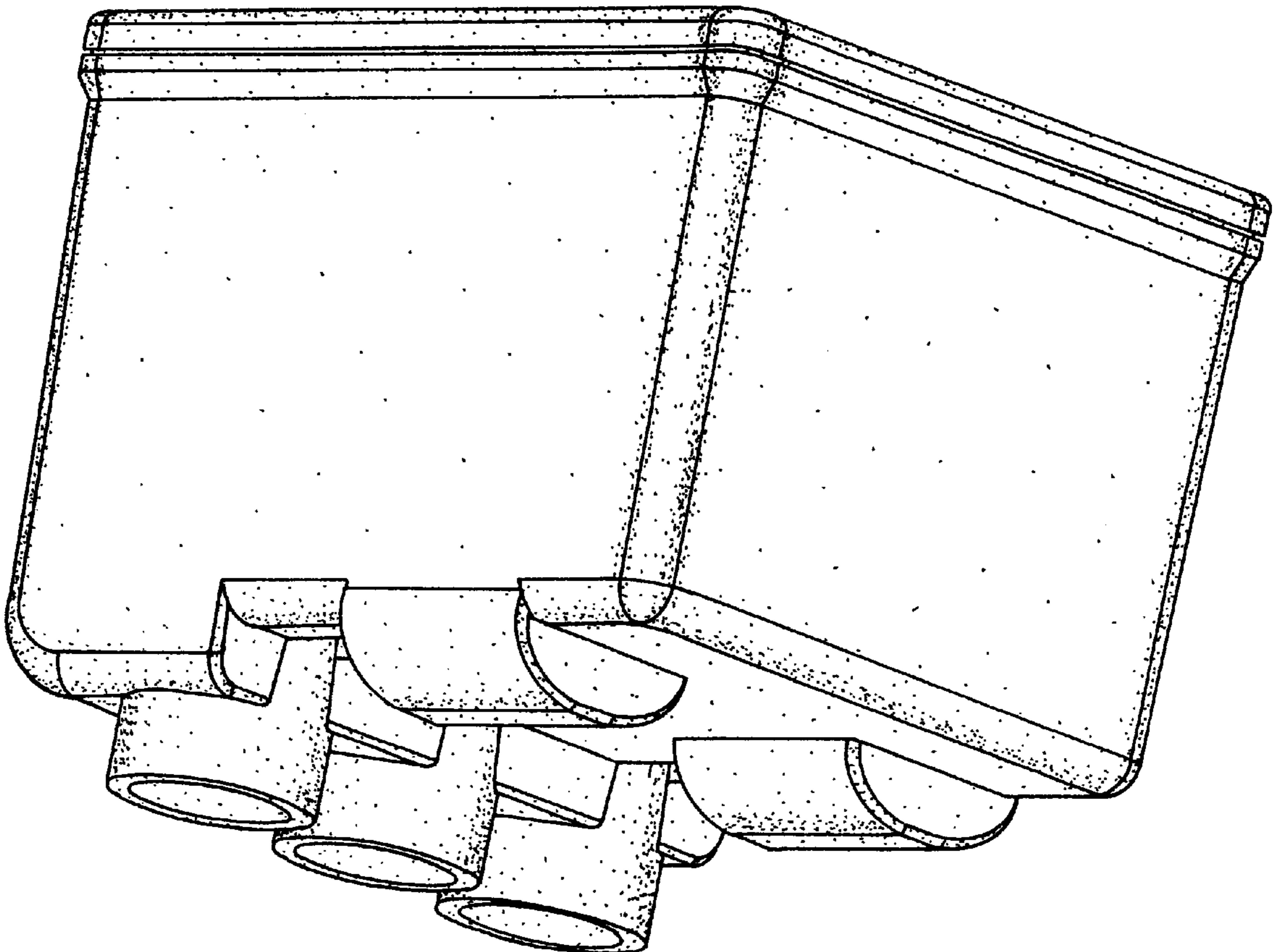
(57) **CLAIM**

The ornamental design for an ink cartridge for a printer, as shown and described.

**DESCRIPTION**

FIG. 1 is a perspective view of an ink cartridge for an printer that shows our new design;  
 FIG. 2 is a right side view thereof;  
 FIG. 3 is a top plane view thereof;  
 FIG. 4 is a front elevational view thereof;  
 FIG. 5 is a bottom plane view thereof;  
 FIG. 6 is a left side view thereof; and,  
 FIG. 7 is a rear elevational view thereof.

**1 Claim, 4 Drawing Sheets**



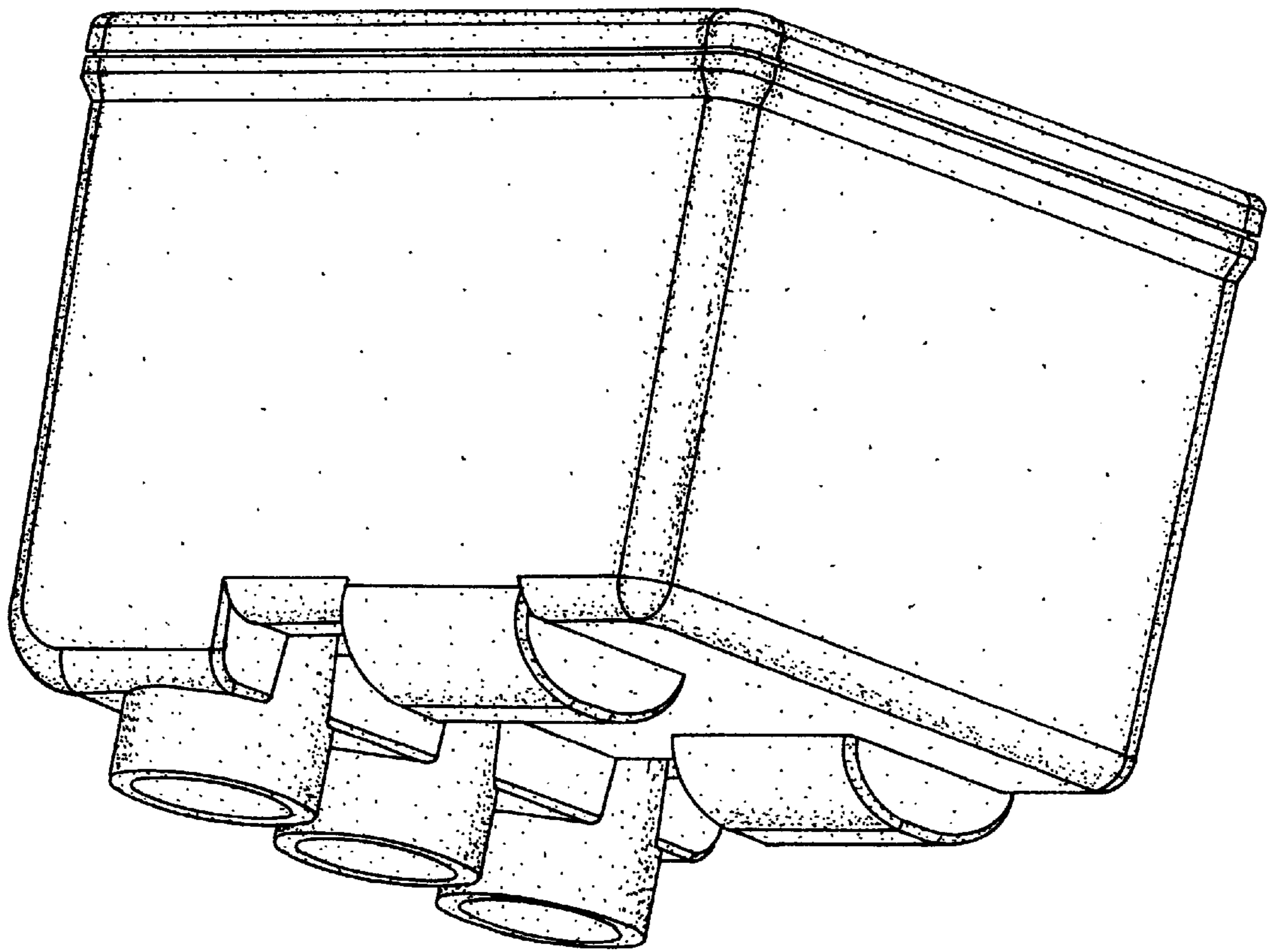


FIG. 1

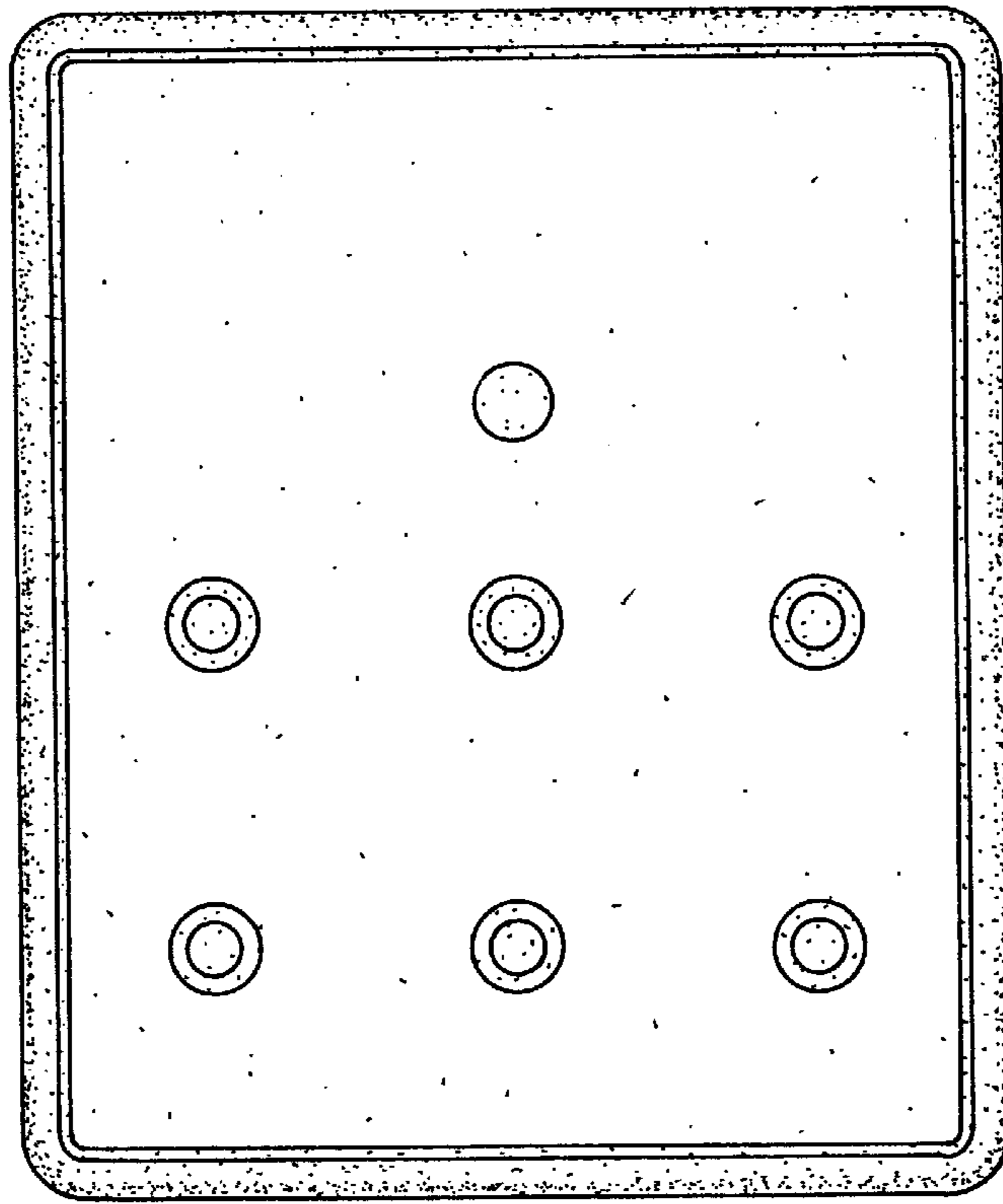


FIG. 3

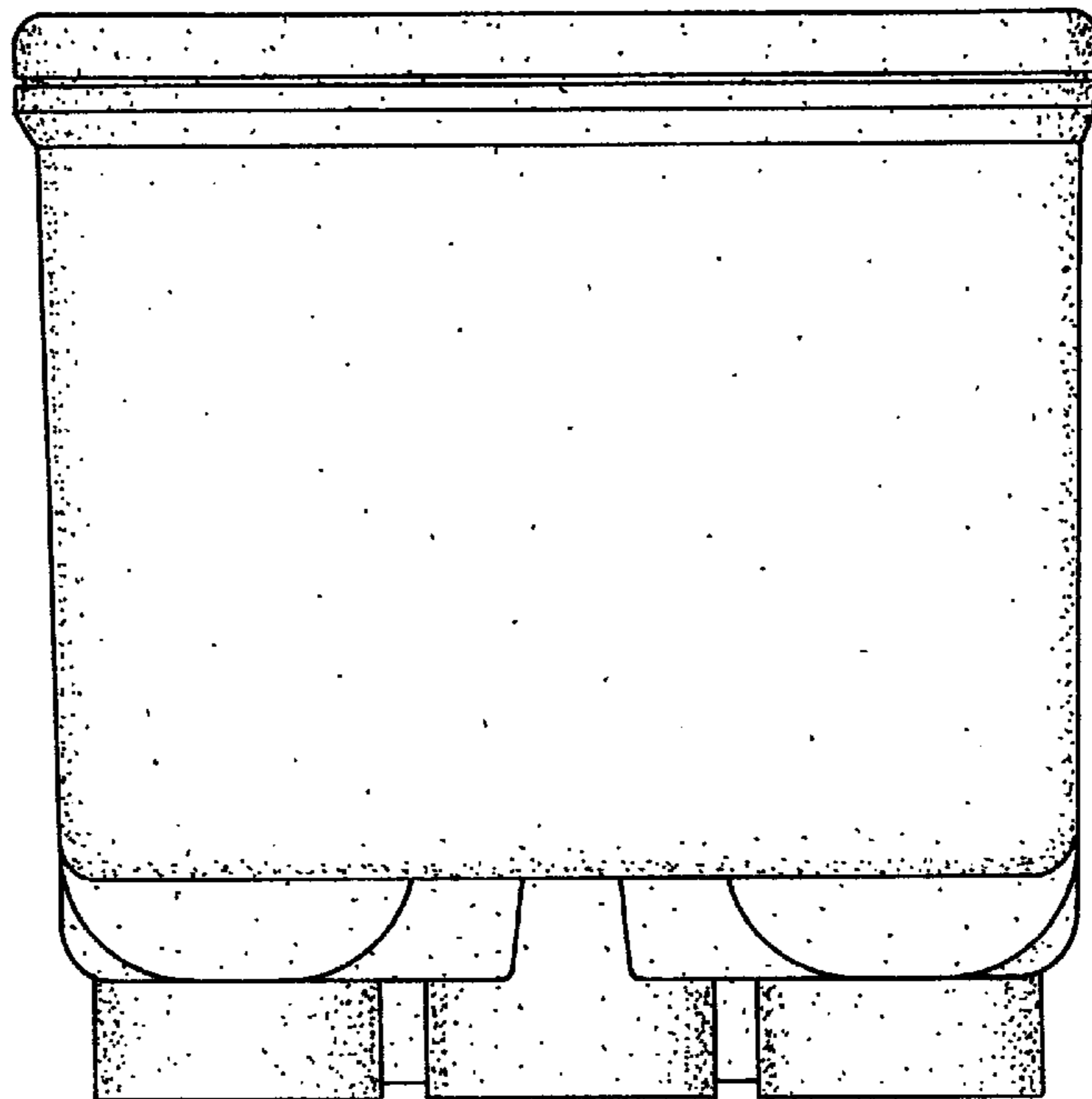


FIG. 2

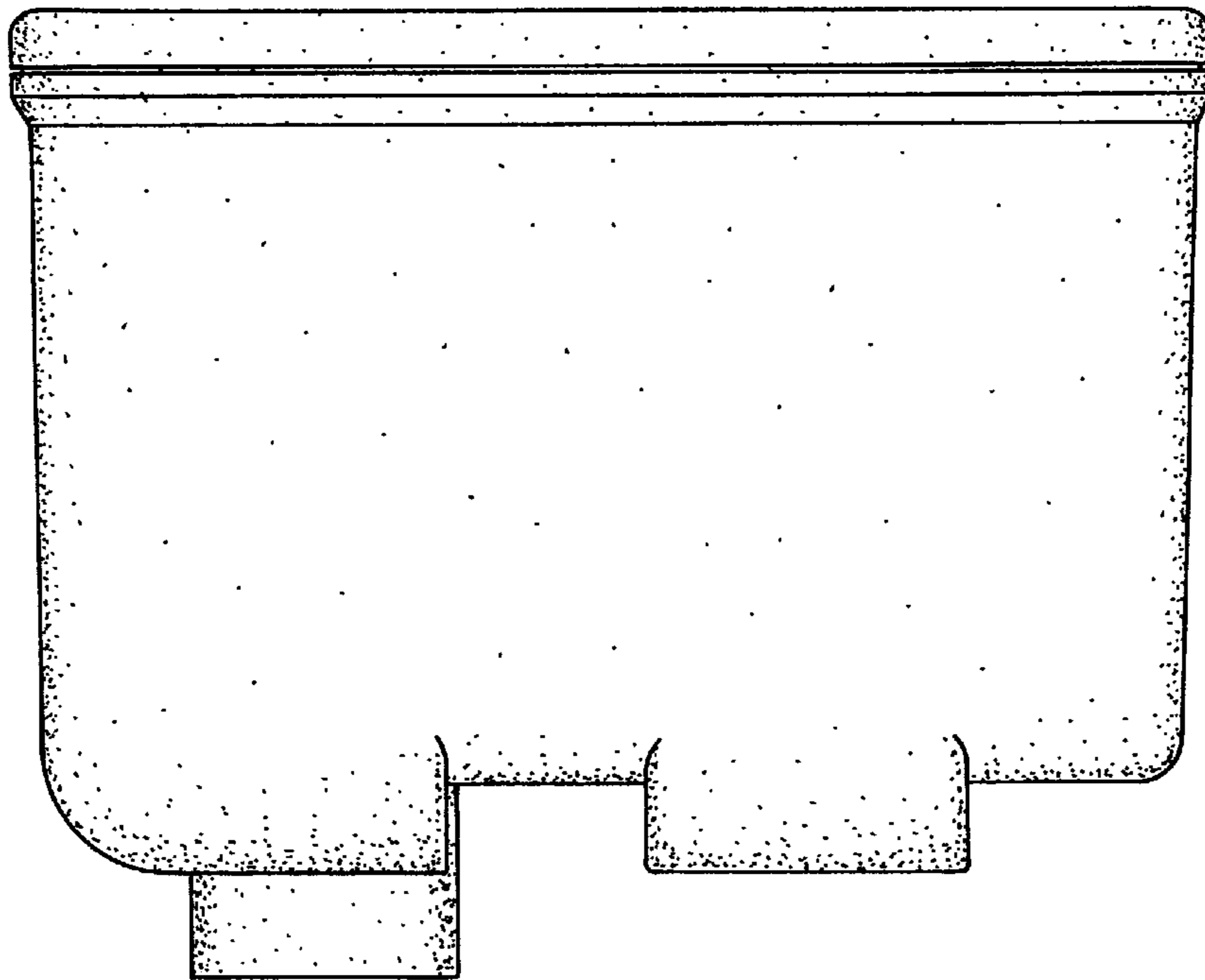


FIG. 4

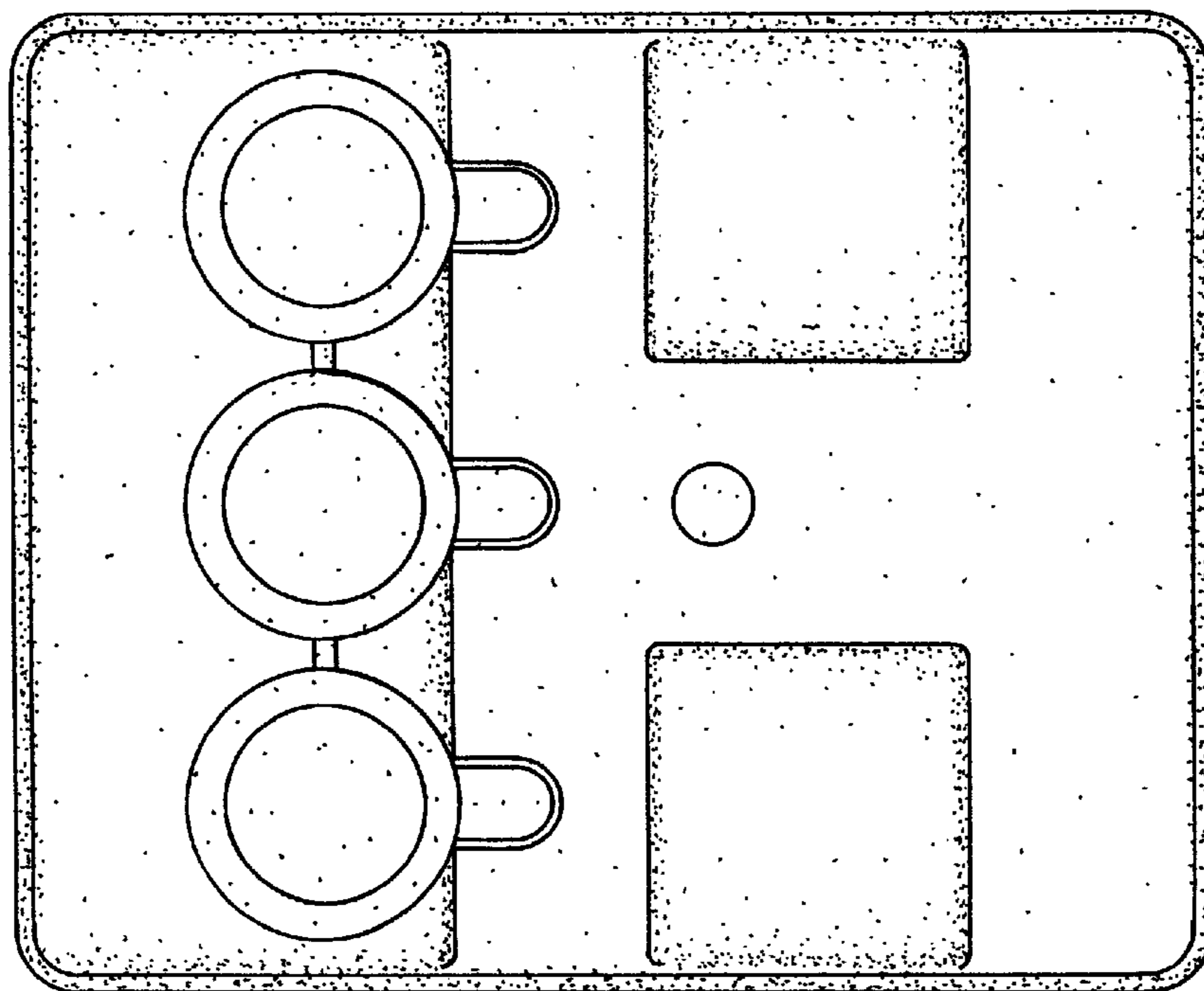


FIG. 5

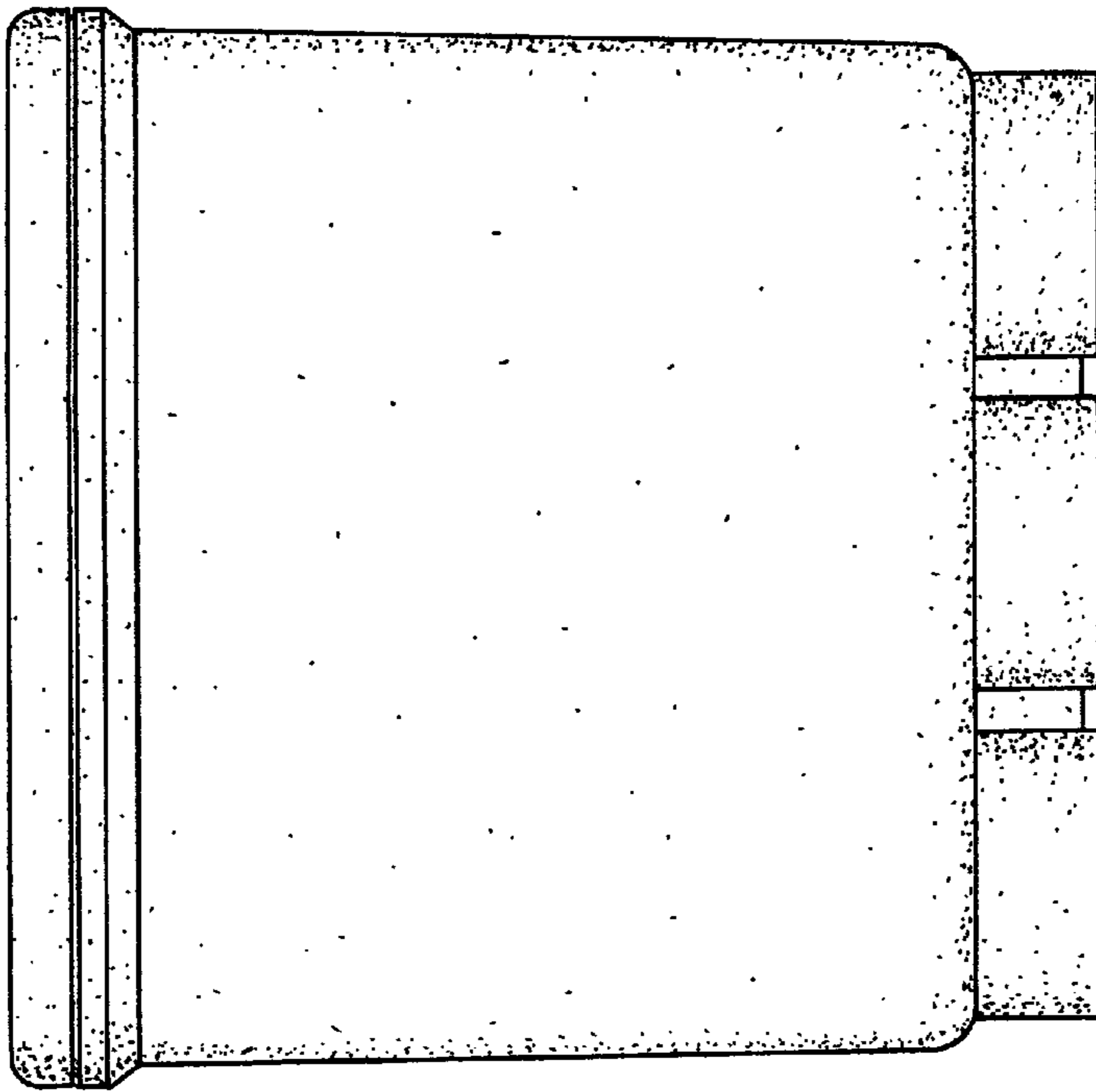


FIG. 6

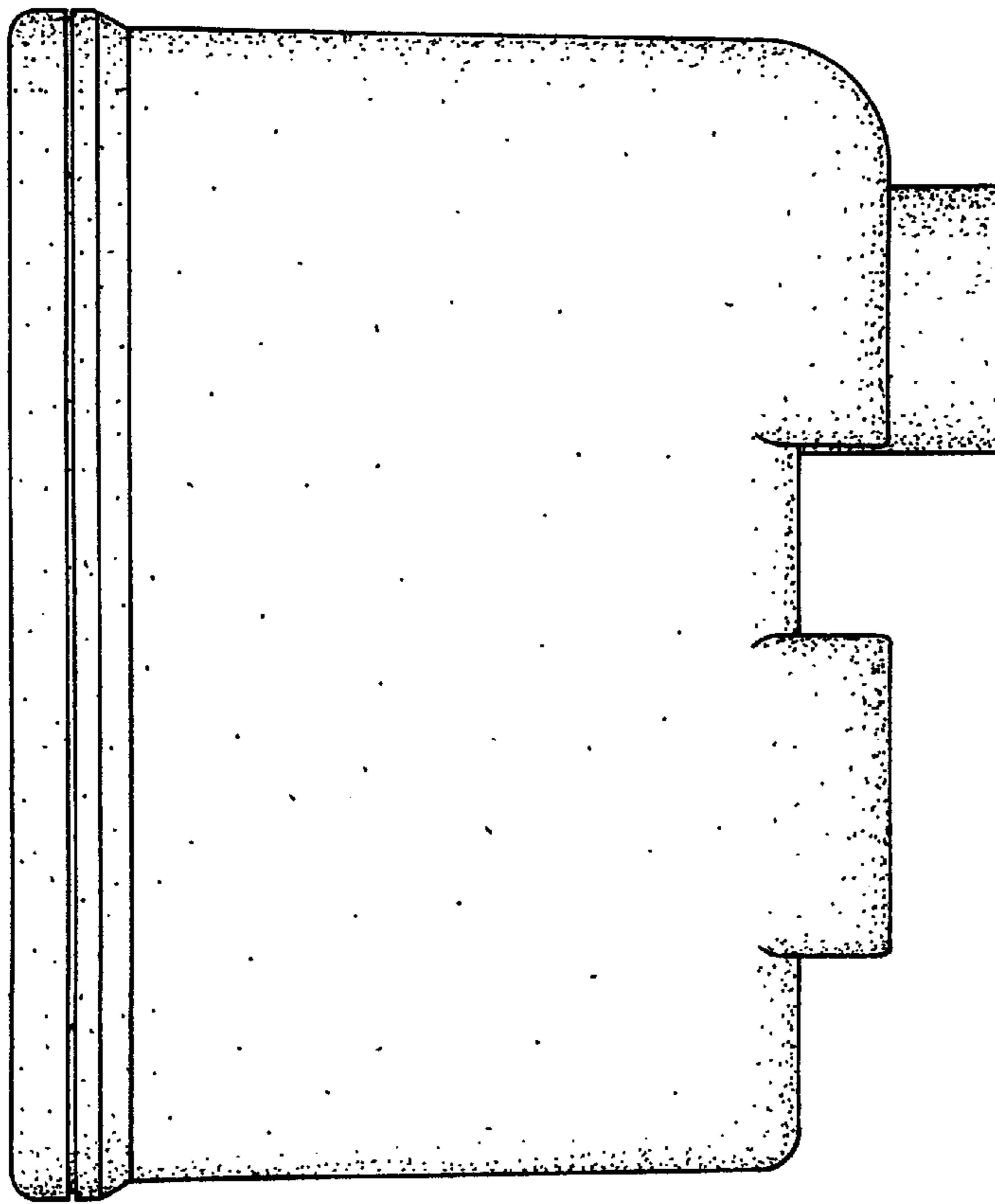


FIG. 7