



US00D443638S

(12) **United States Design Patent**
Kobayashi et al.

(10) **Patent No.: US D443,638 S**

(45) **Date of Patent: ** Jun. 12, 2001**

(54) **PRINTER FOR COMPUTER**

D. 425,552 * 5/2000 Kobayashi et al. D18/54
D. 427,235 * 6/2000 Kaseno et al. D18/54

(75) Inventors: **Makoto Kobayashi; Toshihiro Hayakawa**, both of Nagano (JP)

FOREIGN PATENT DOCUMENTS

(73) Assignee: **Seiko Epson Corporation**, Tokyo (JP)

979210 4/1997 (JP) .
979210-1 4/1997 (JP) .

(**) Term: **14 Years**

* cited by examiner

(21) Appl. No.: **29/116,561**

Primary Examiner—Cathy Anne MacCormac
(74) *Attorney, Agent, or Firm*—Stroock & Stroock & Lavan LLP

(22) Filed: **Jan. 5, 2000**

(30) **Foreign Application Priority Data**

(57) **CLAIM**

Jul. 5, 1999 (JP) 11-17842

The ornamental design for a printer for computer, as shown and described.

(51) **LOC (7) Cl. 14-02**

DESCRIPTION

(52) **U.S. Cl. D18/54**

(58) **Field of Search** D18/50, 54-55,
D18/36-39; D14/462-470; 400/613, 613.1-613.4,
691-694, 690.1-690.4

FIG. 1 is a front perspective view of a printer for computer showing our new design;
FIG. 2 is a top plan view thereof;
FIG. 3 is a front elevational view thereof;
FIG. 4 is a right side elevational view thereof;
FIG. 5 is a left side elevational view thereof;
FIG. 6 is a rear elevational view thereof;
FIG. 7 is a bottom plan view thereof; and,
FIG. 8 is an another front perspective view in a different position.

(56) **References Cited**

U.S. PATENT DOCUMENTS

D. 376,814 * 12/1996 Asai et al. D18/50
D. 382,583 * 8/1997 Takahashi et al. D18/55
D. 387,085 * 12/1997 Masujima et al. D18/54
D. 389,861 * 1/1998 Kobayashi et al. D18/55
D. 400,571 * 11/1998 Shimizu D18/54
D. 400,918 * 11/1998 Kobayashi et al. D18/55

1 Claim, 5 Drawing Sheets

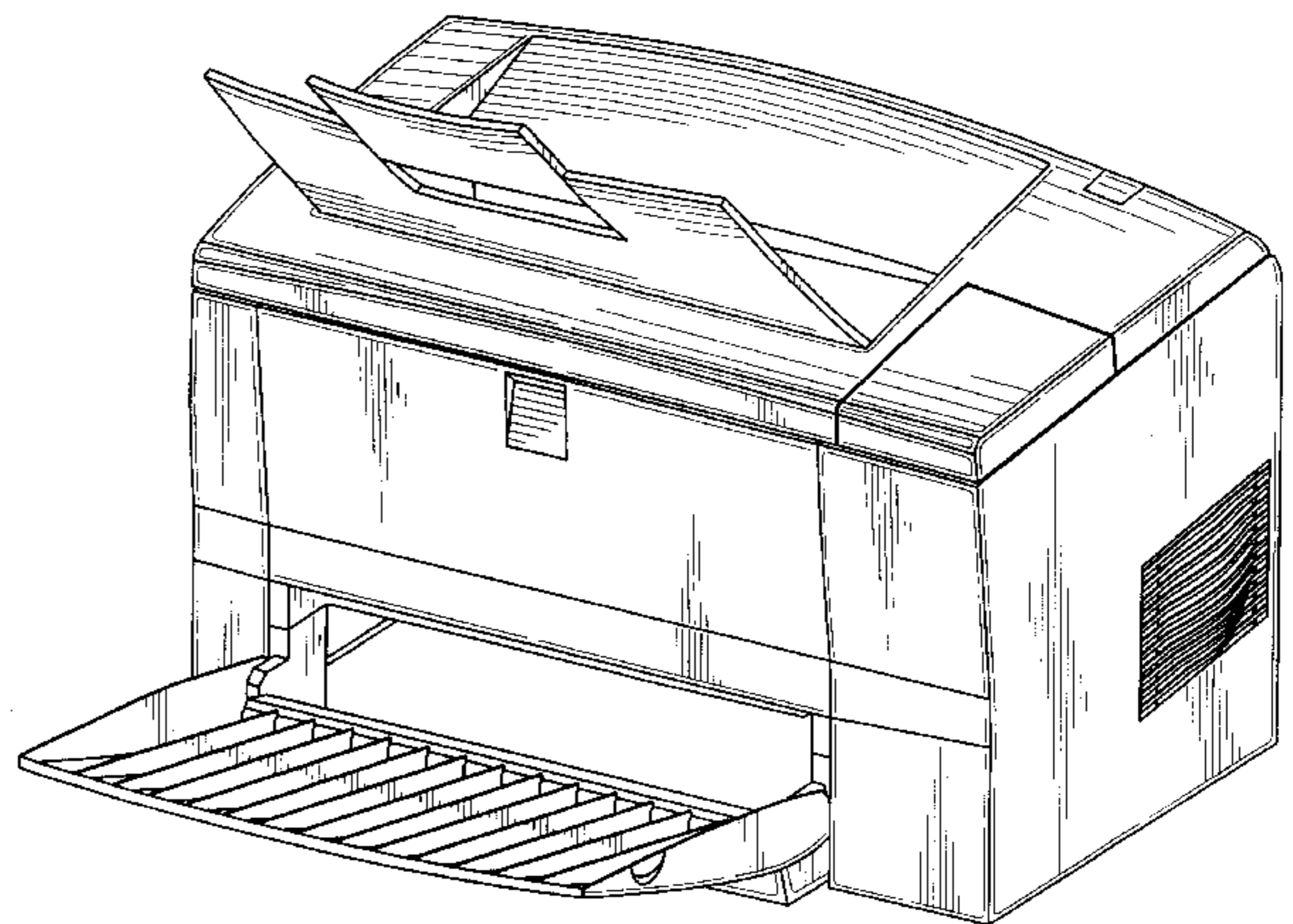
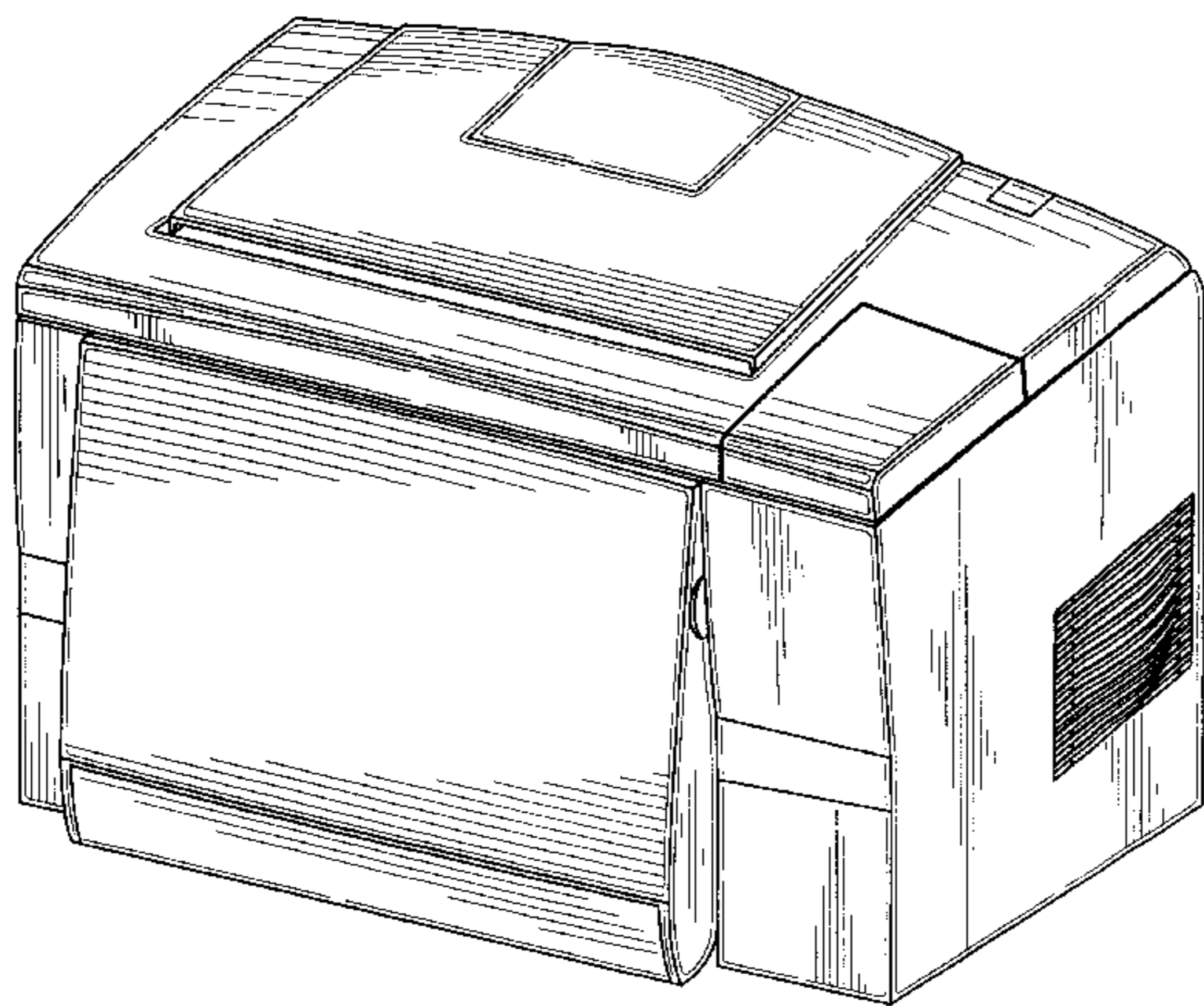


FIG. 1

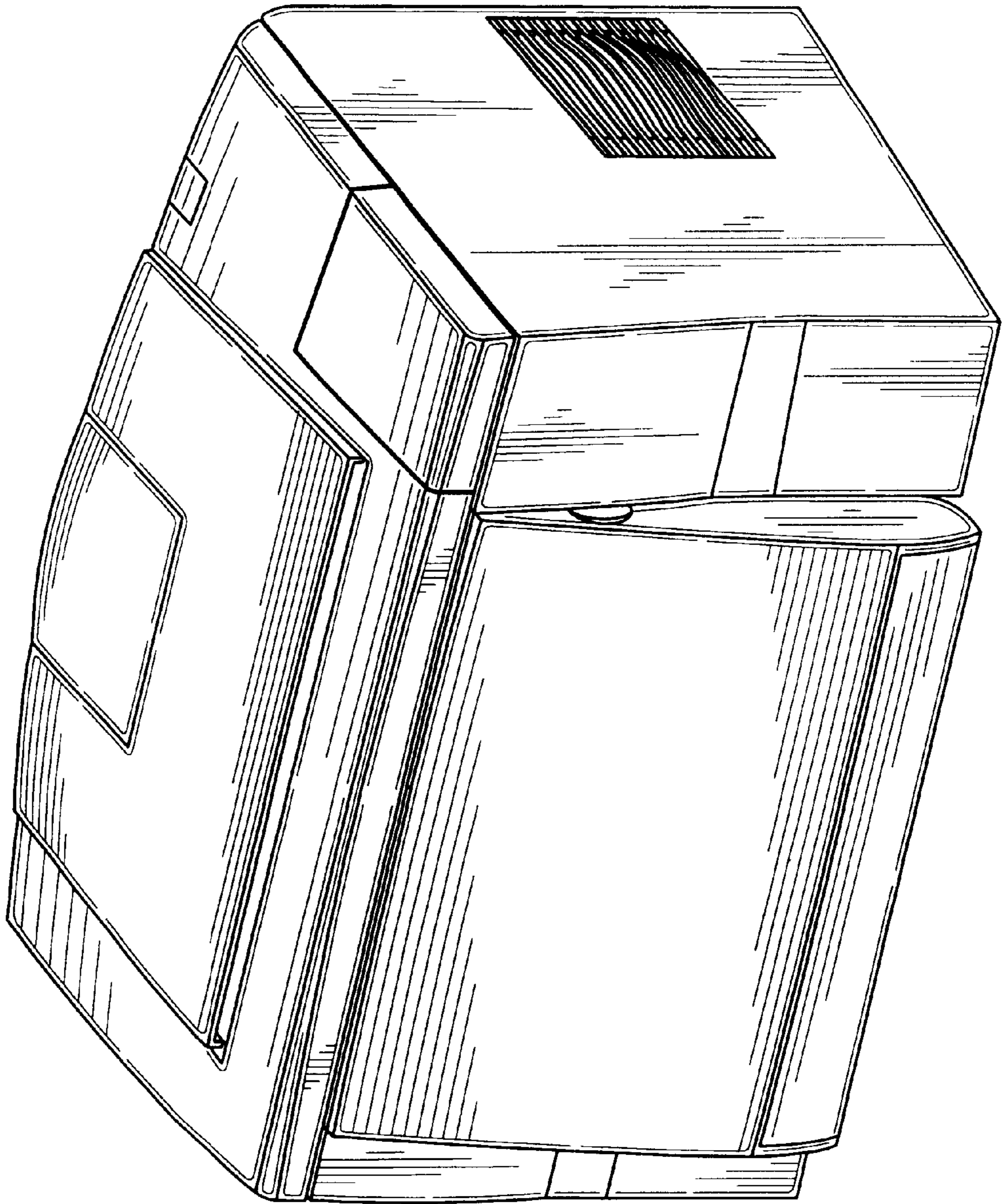


FIG. 2

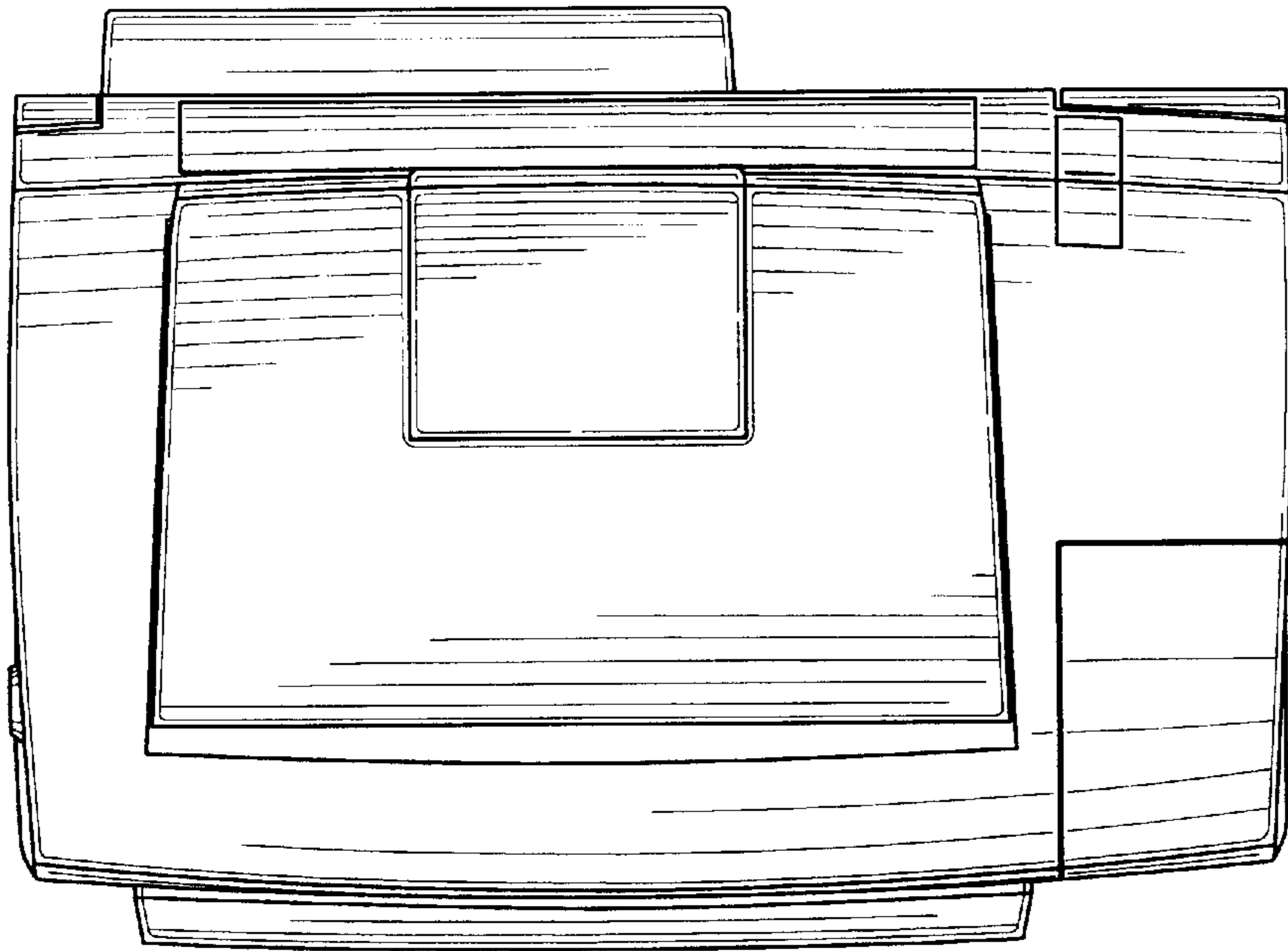


FIG. 3

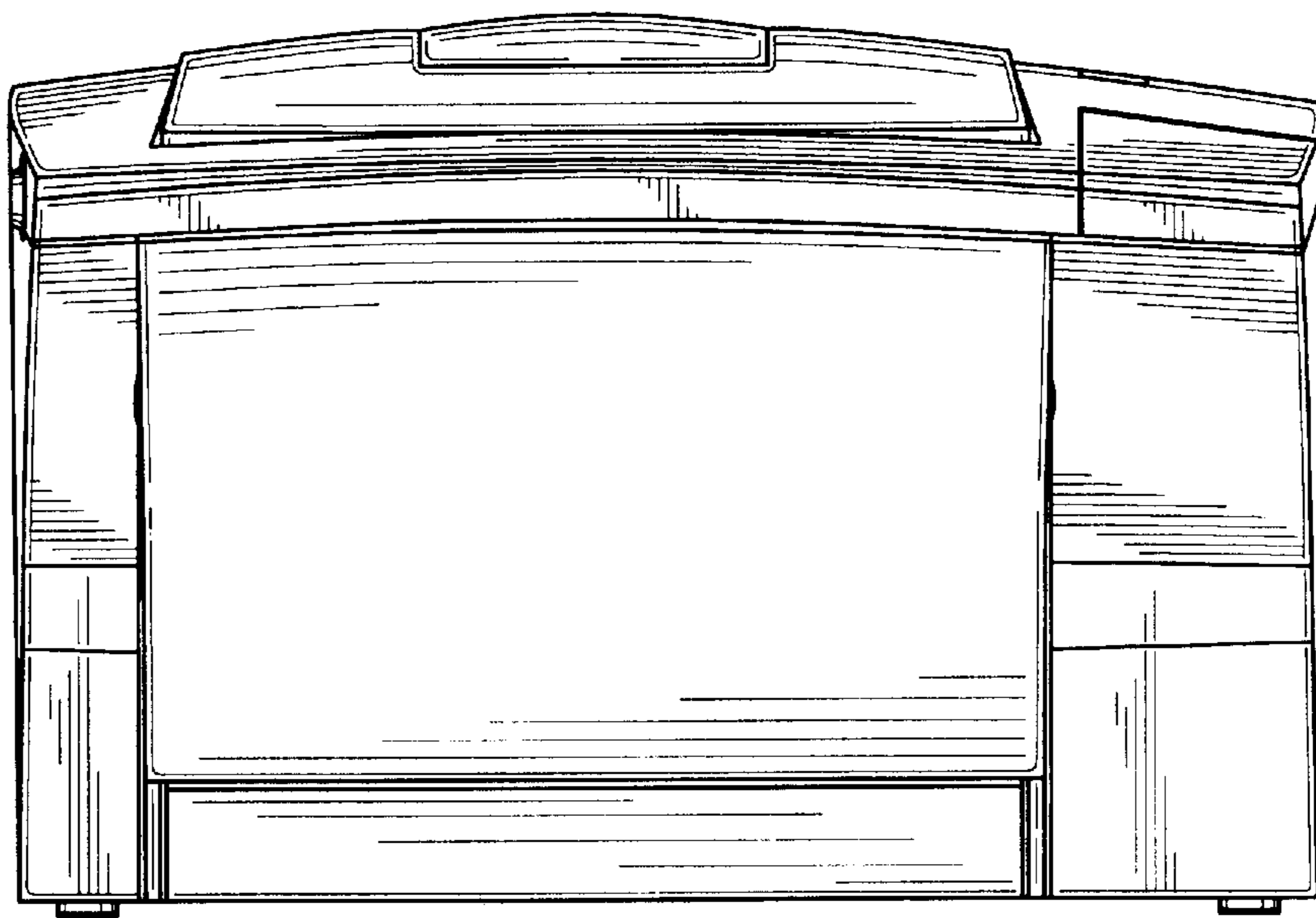


FIG. 4

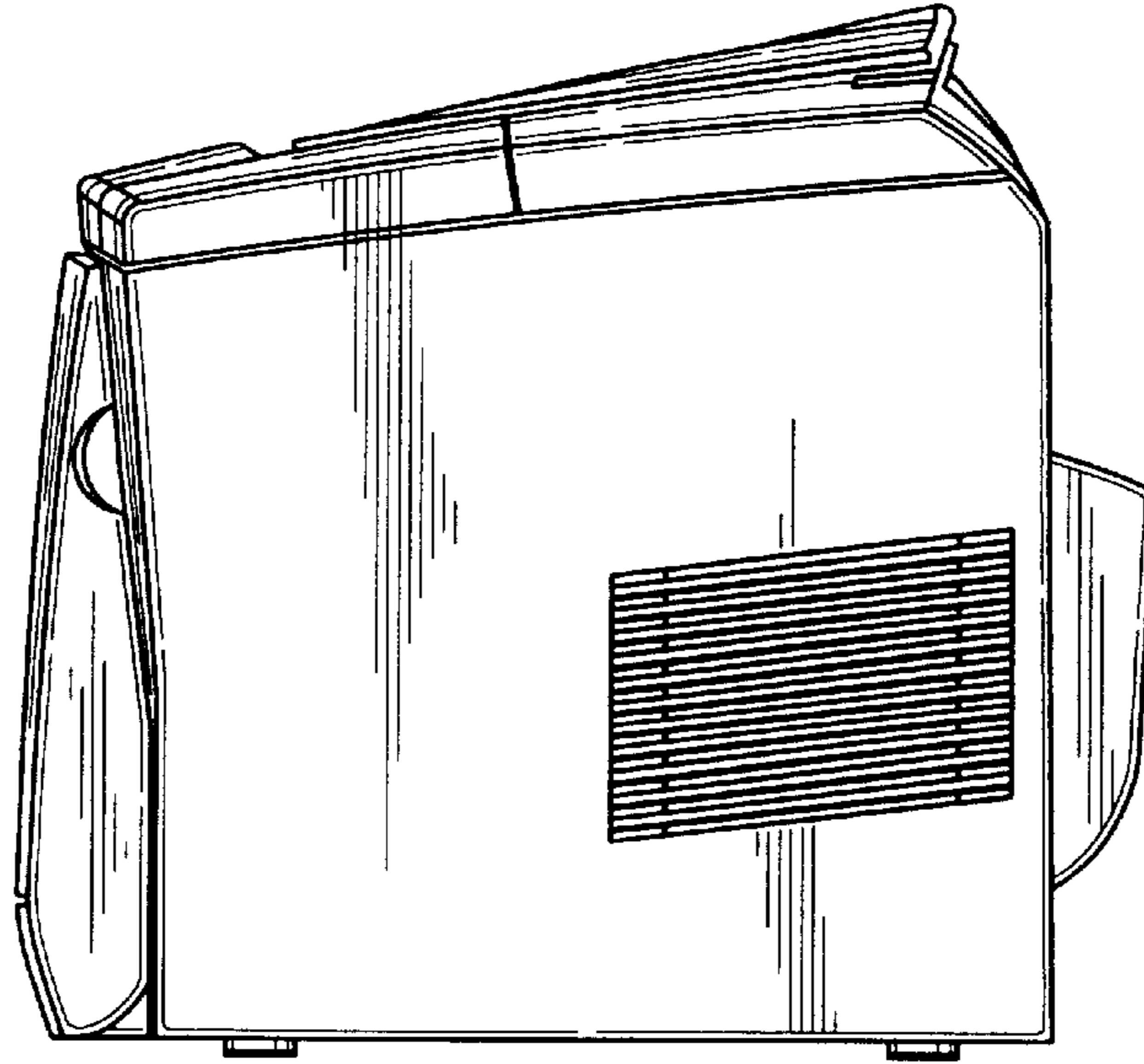


FIG. 5

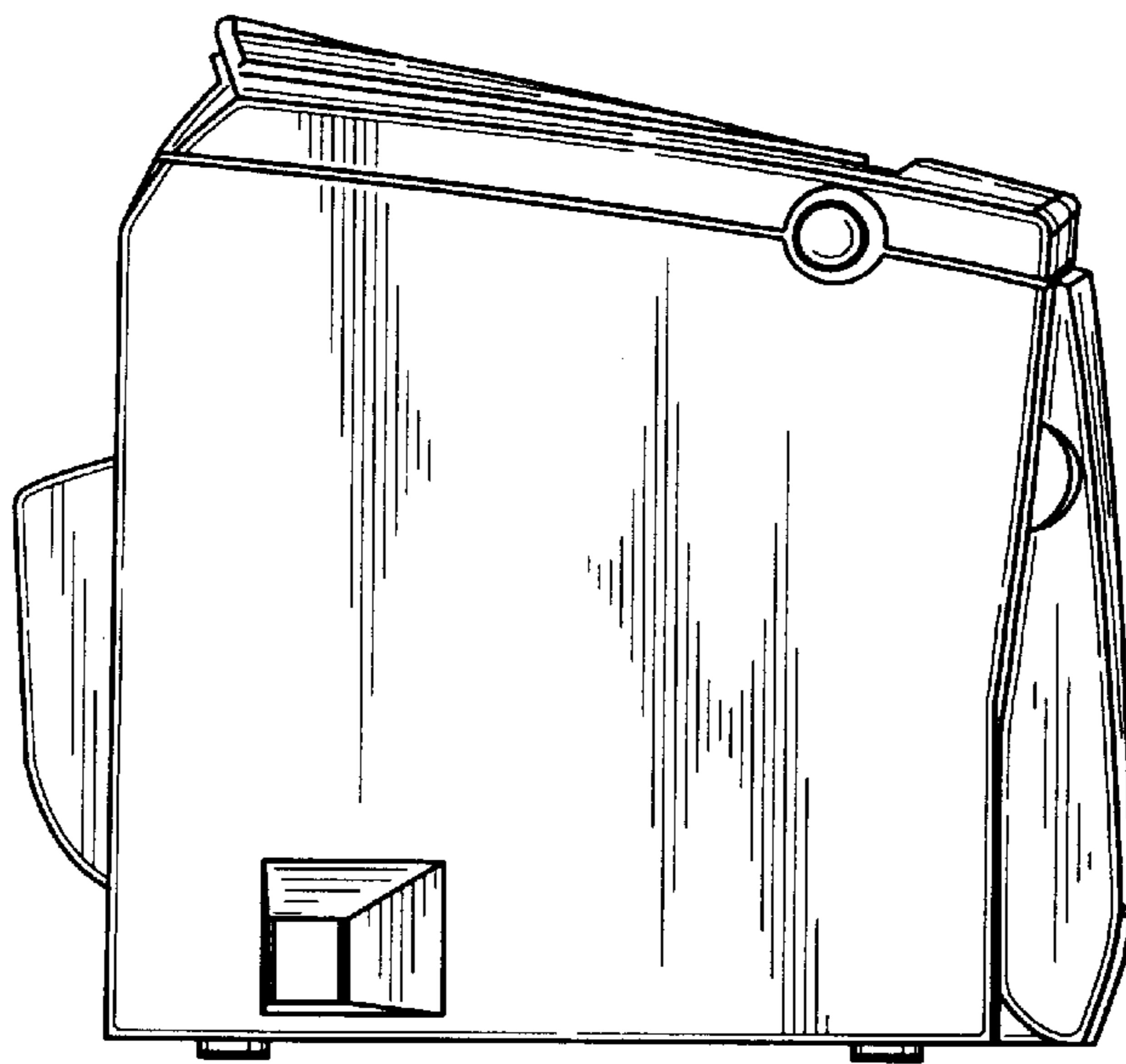


FIG. 6

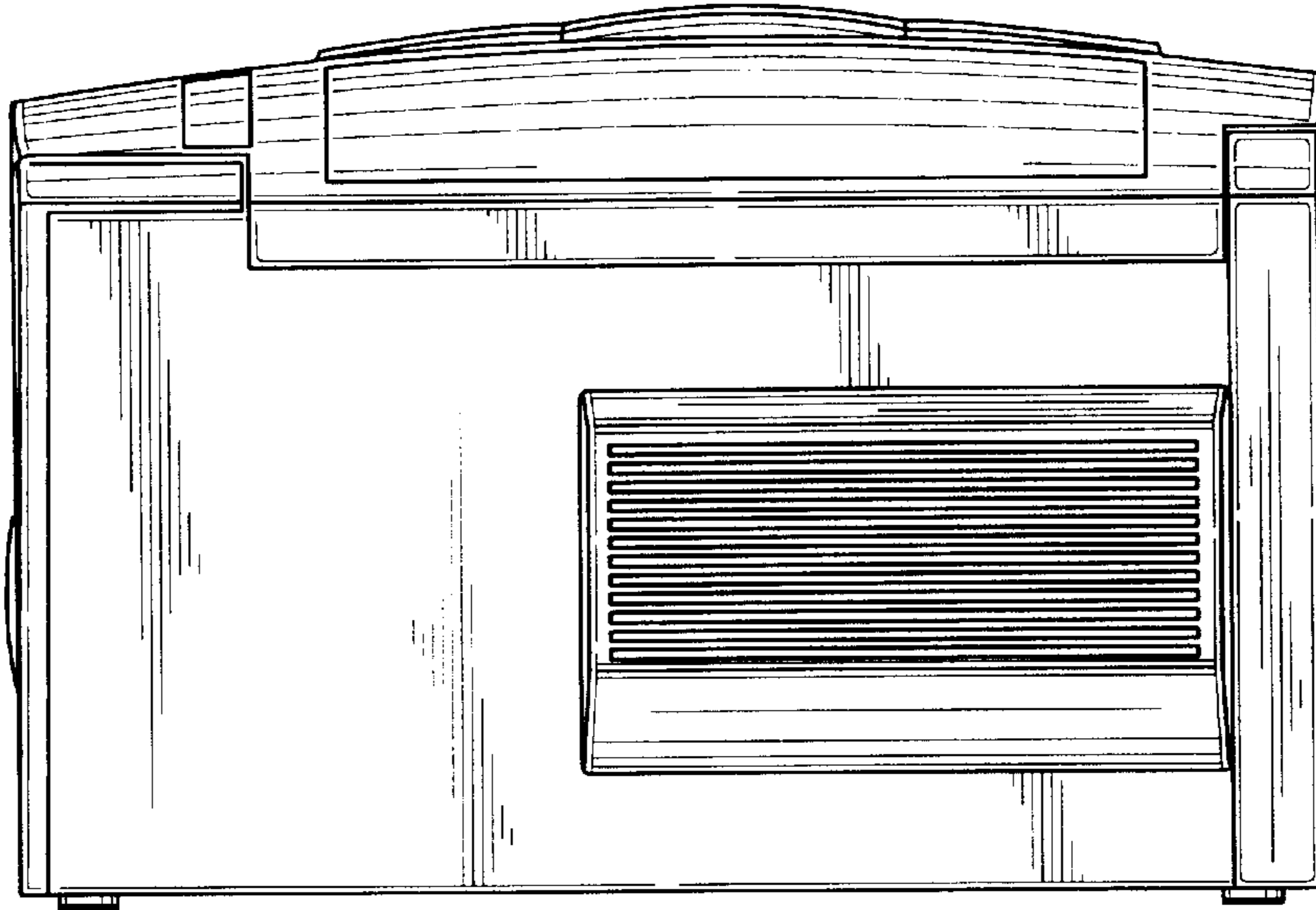


FIG. 7

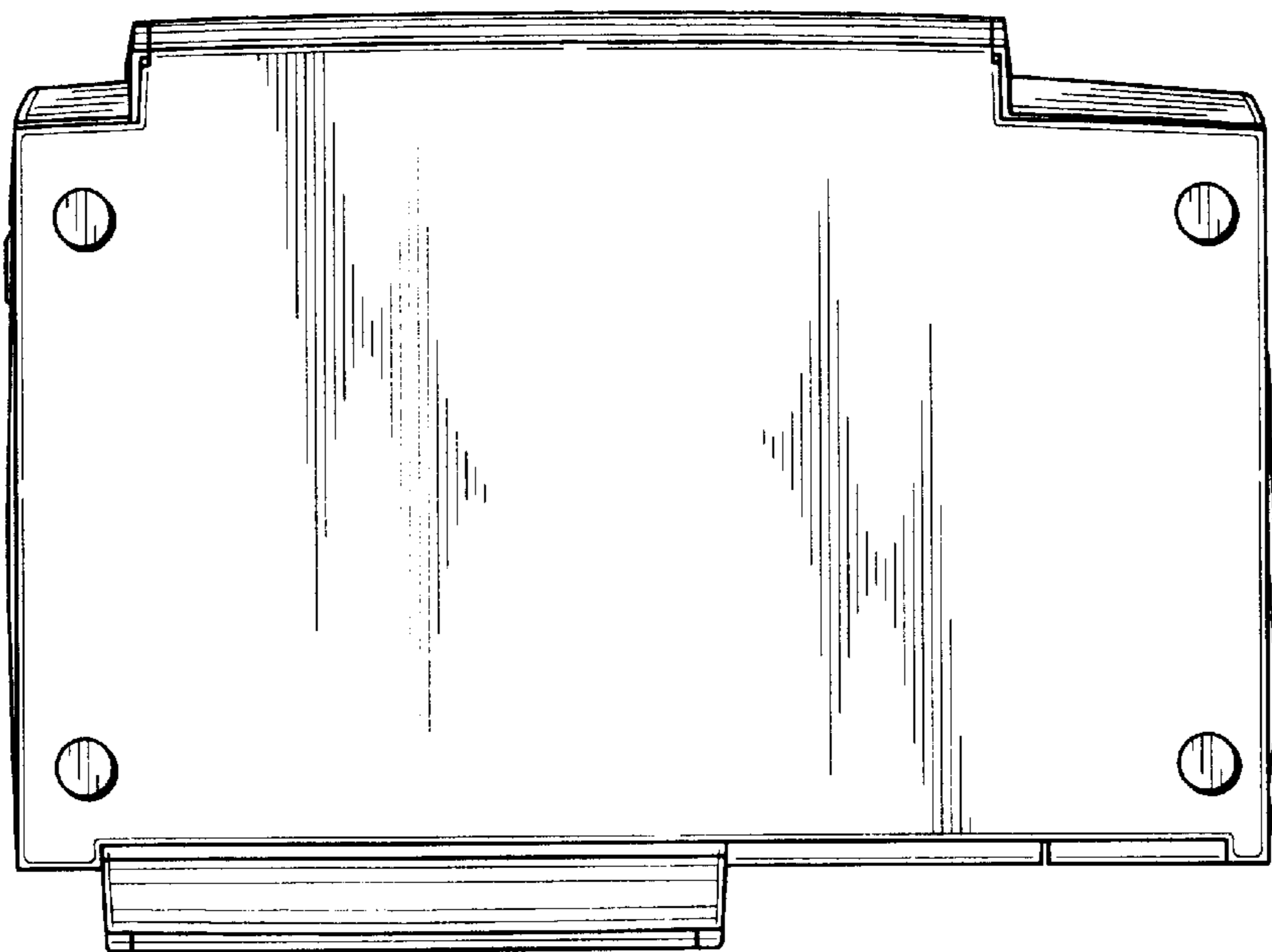


FIG. 8

