



US00D443634S

(12) **United States Design Patent**
Hefty

(10) **Patent No.:** **US D443,634 S**

(45) **Date of Patent:** **** Jun. 12, 2001**

(54) **BOOK BINDER**

D. 380,488 * 7/1997 Elstad et al. D18/34
4,986,713 * 1/1991 Zoltner et al. 381/21.1

(76) **Inventor:** **John B. Hefty**, 1232 Paula Cir., Gulf Breeze, FL (US) 32561

* cited by examiner

(**) **Term:** **14 Years**

Primary Examiner—Ruth McInroy
Assistant Examiner—Gregory Andoll

(21) **Appl. No.:** **29/075,311**

(74) *Attorney, Agent, or Firm*—George A. Bode; Bode & Associates

(22) **Filed:** **Aug. 18, 1997**

(57) **CLAIM**

Related U.S. Application Data

The ornamental design for a book binder, as shown and described.

(63) Continuation-in-part of application No. 08/502,386, filed on Jul. 14, 1995, now Pat. No. 5,692,866.

DESCRIPTION

(51) **LOC (7) Cl.** **18-04**

FIG. 1 is a right side elevational view of a book binder showing my new design;

(52) **U.S. Cl.** **D18/34**

FIG. 2 is a bottom plan view thereof;

(58) **Field of Search** D18/34; 281/21.1; 412/9, 10, 33

FIG. 3 is a top plan view thereof;

FIG. 4 is a left side elevational view thereof;

FIG. 5 is a rear elevational view thereof;

FIG. 6 is a front elevational view thereof; and,

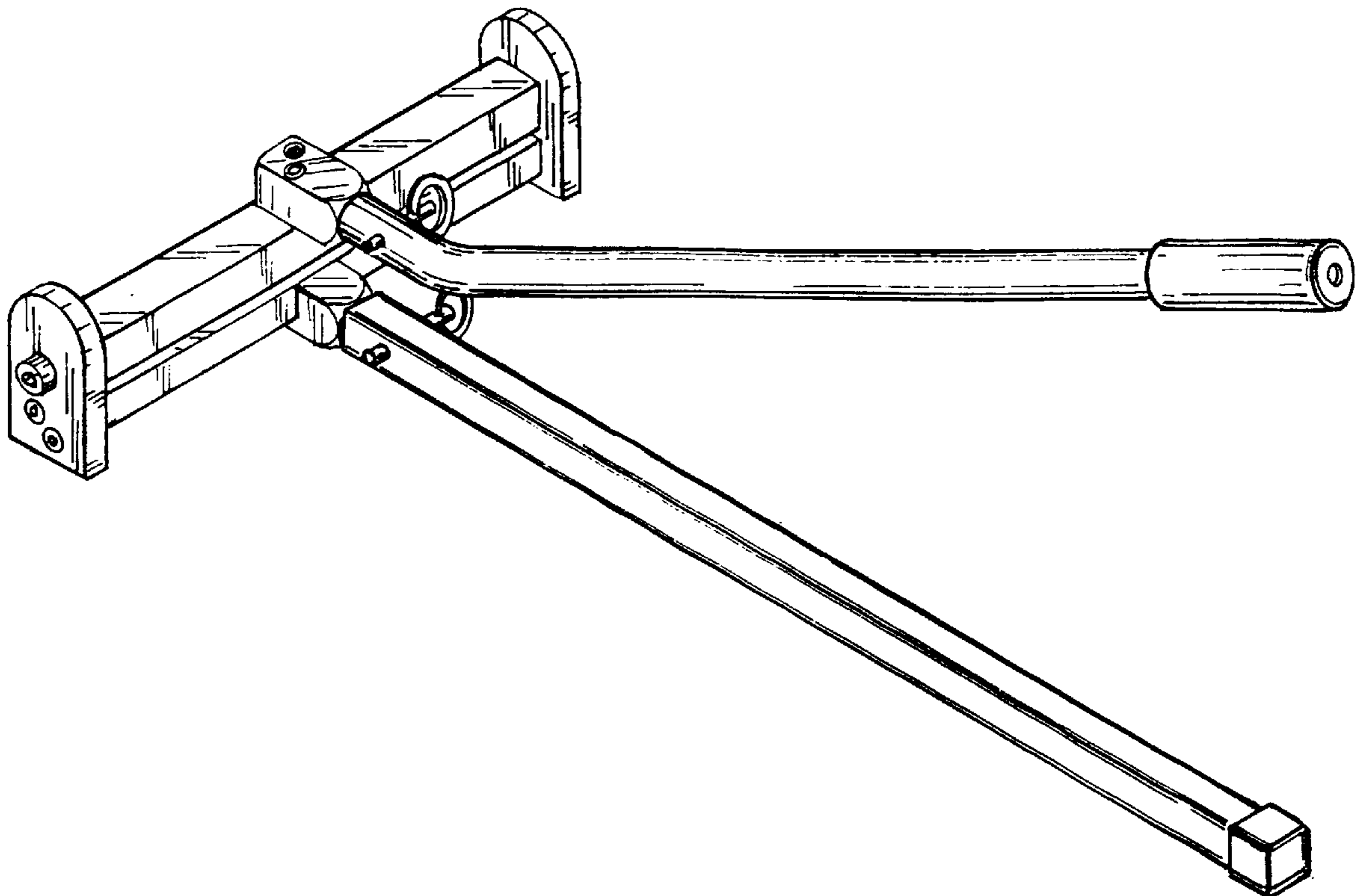
FIG. 7 is a top, front and left side perspective view thereof.

(56) **References Cited**

U.S. PATENT DOCUMENTS

D. 369,179 * 4/1996 Botta et al. D18/34
D. 377,804 * 2/1997 Beijin D18/34

1 Claim, 4 Drawing Sheets



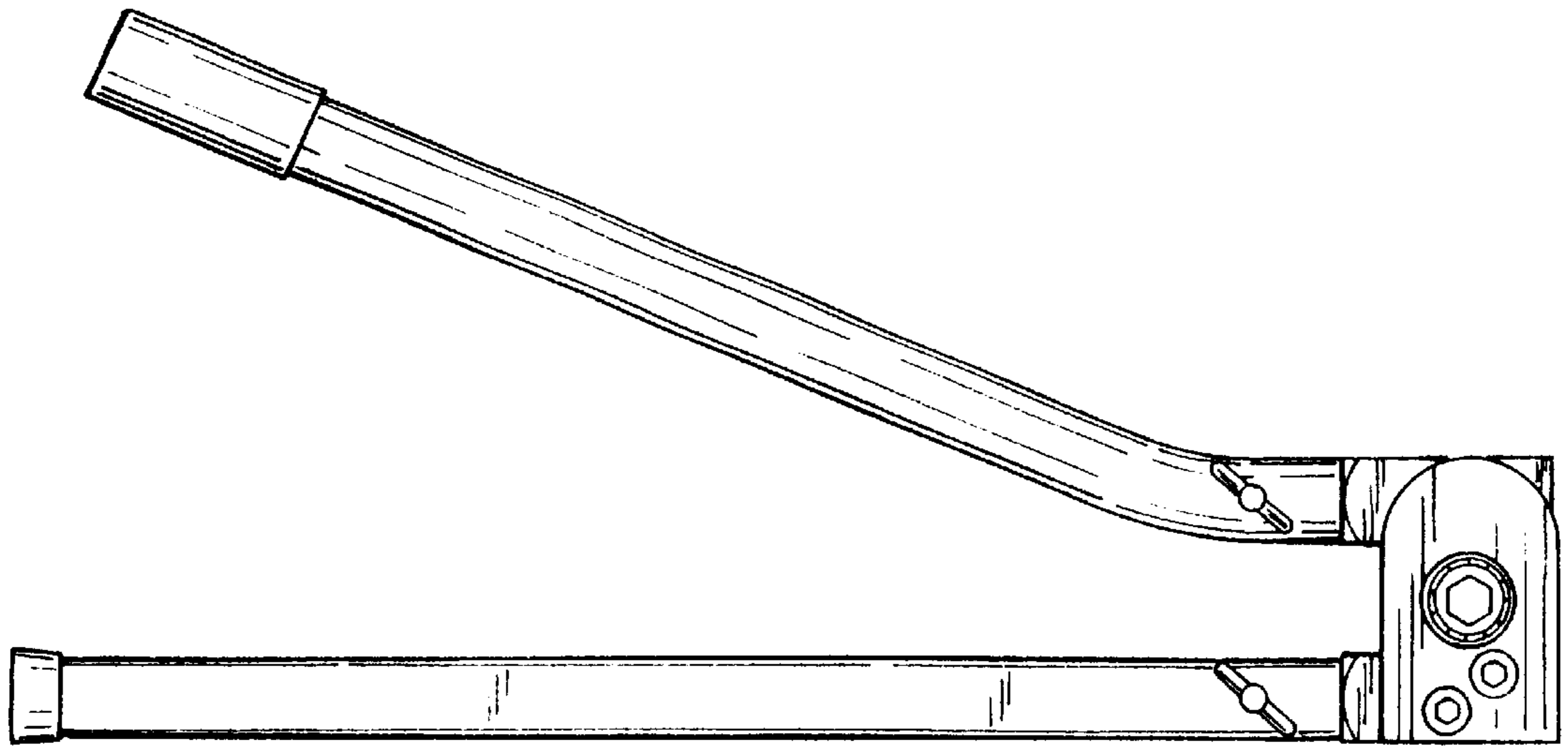


FIG. 1

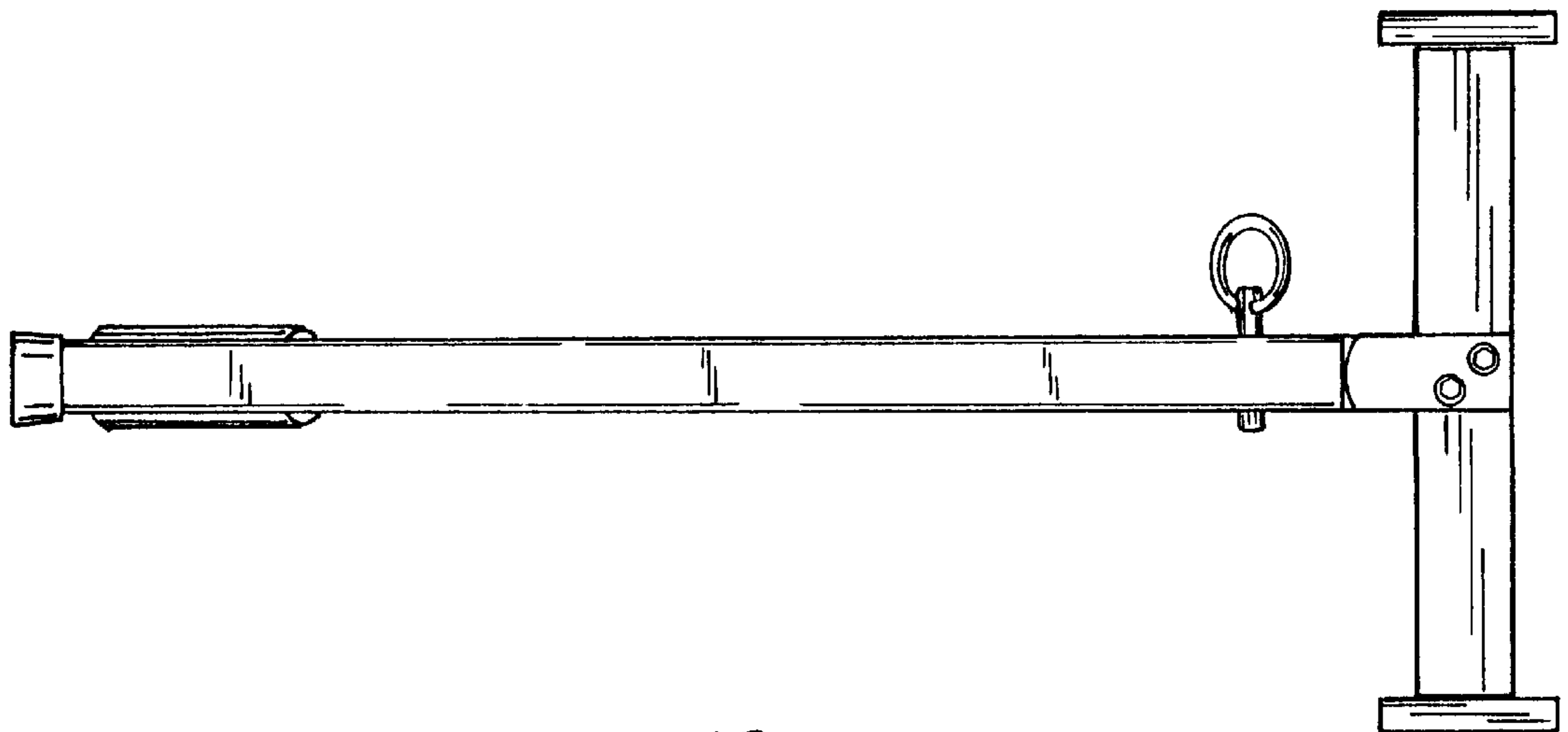


FIG. 2

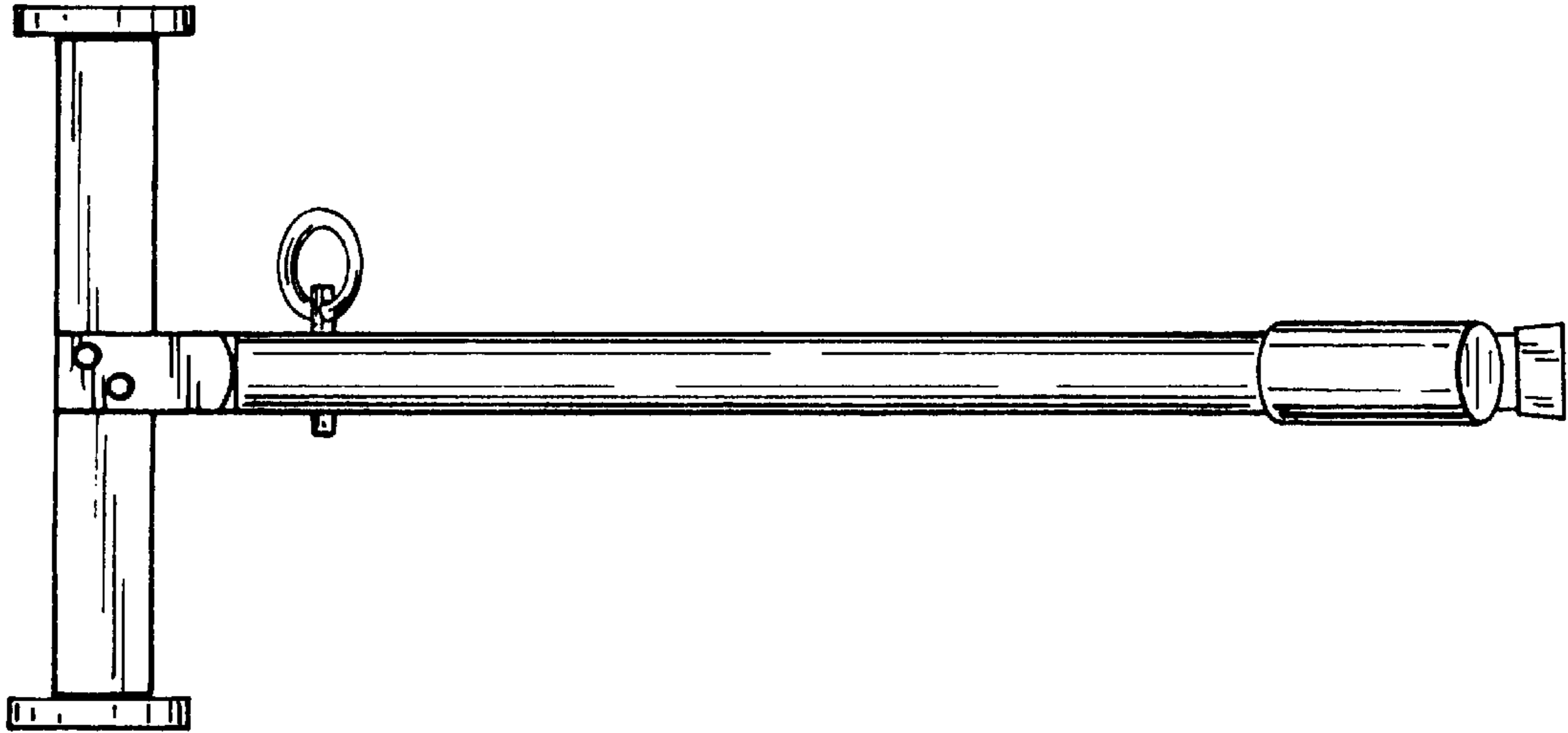


FIG. 3

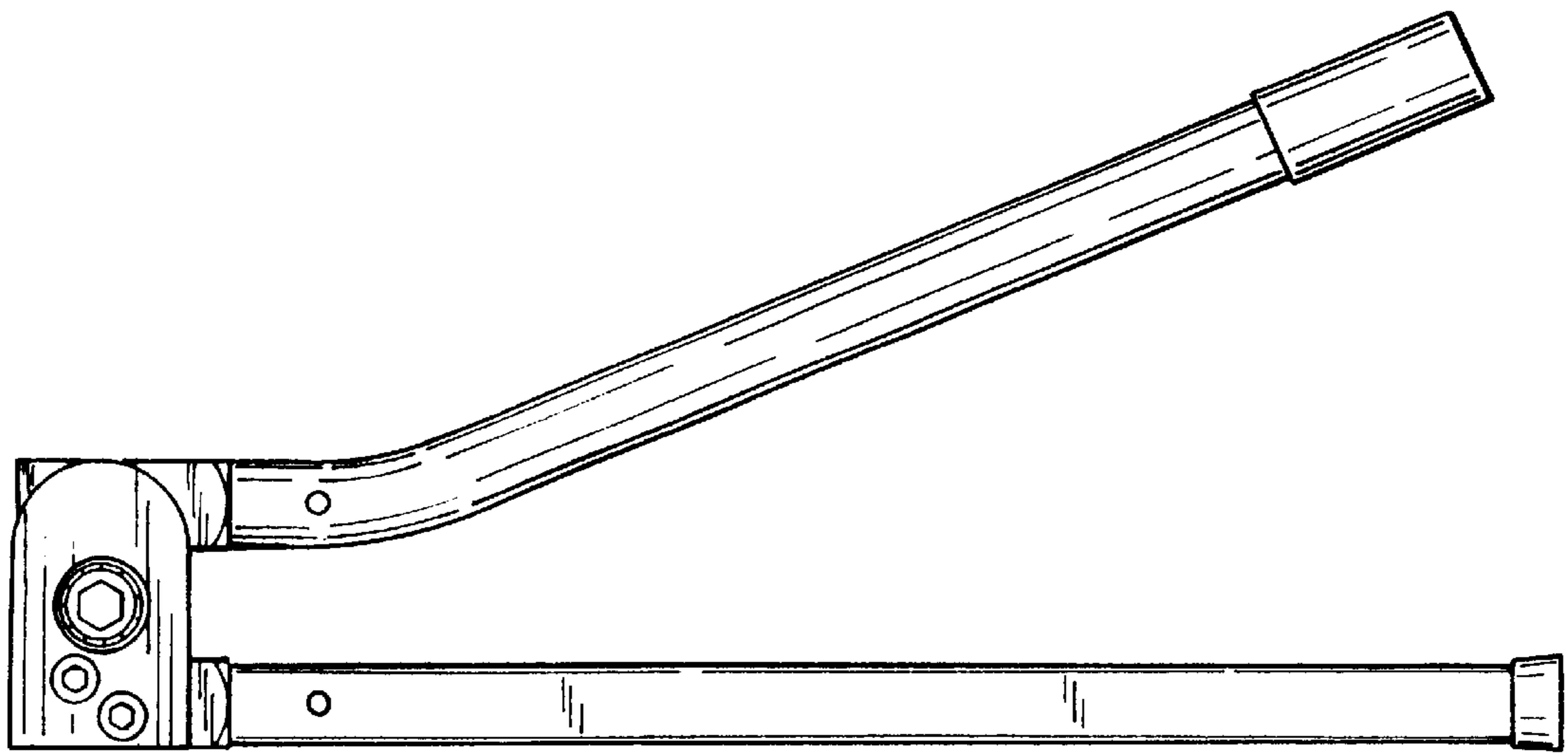


FIG. 4

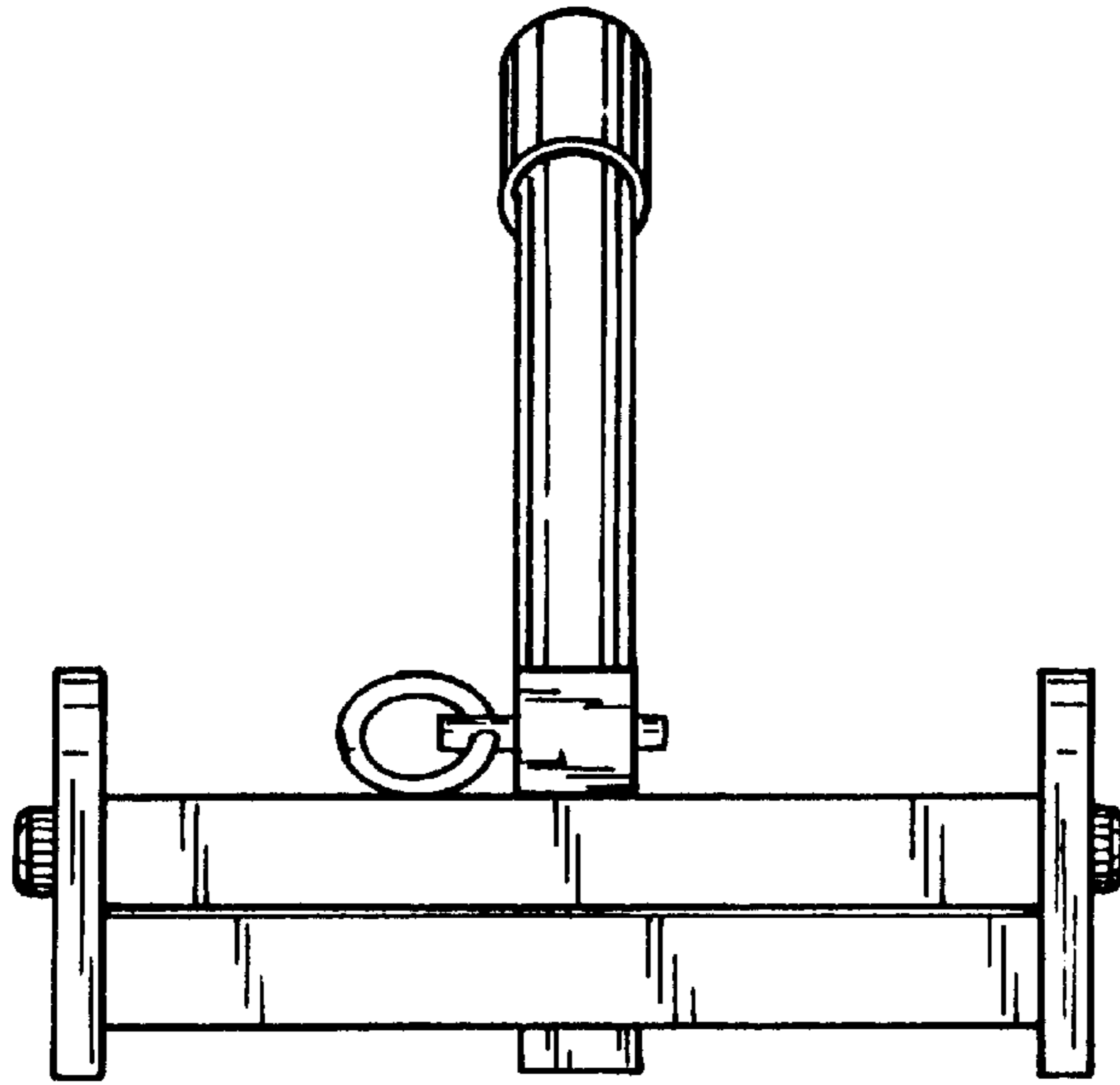


FIG. 5

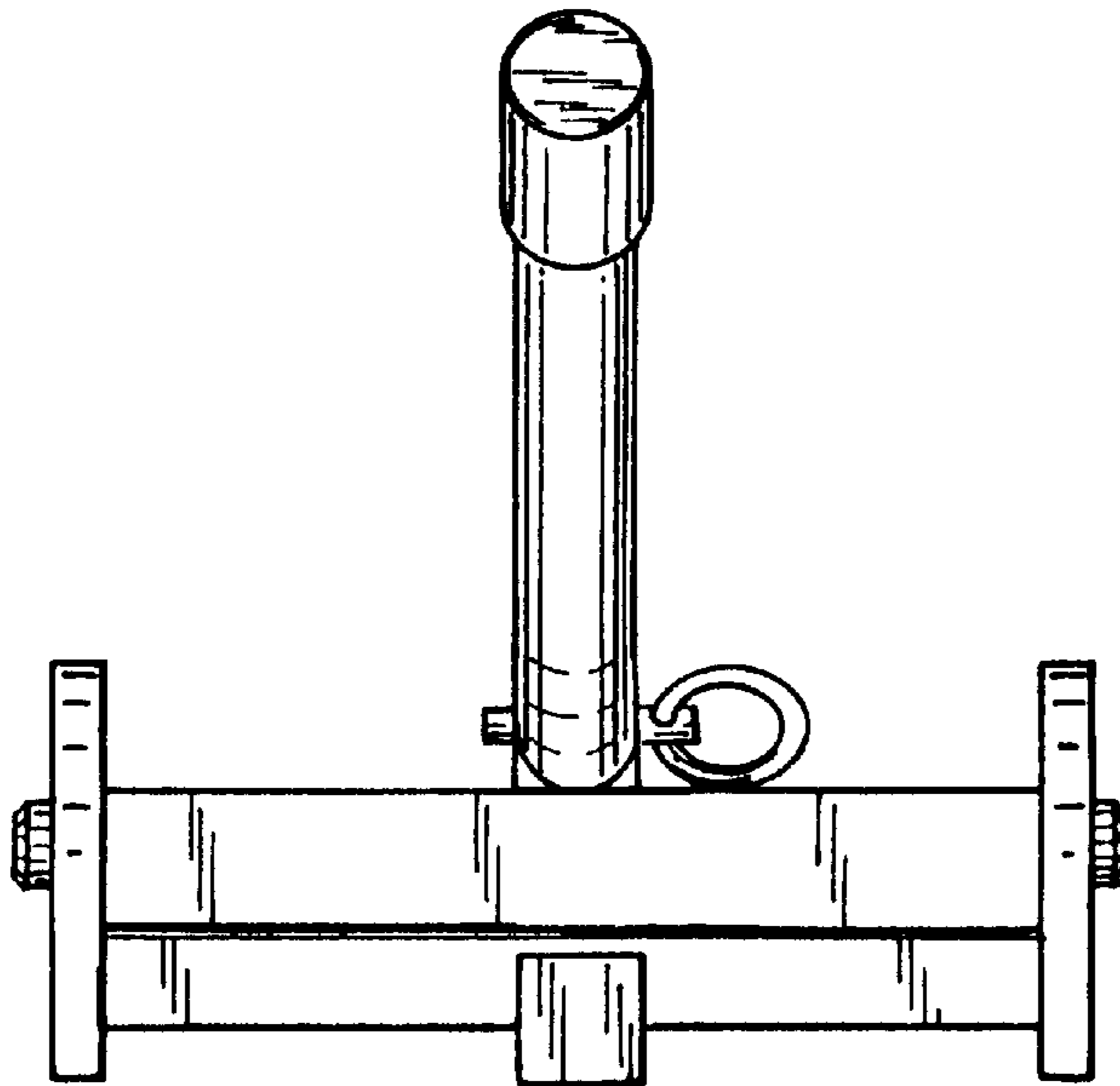


FIG. 6

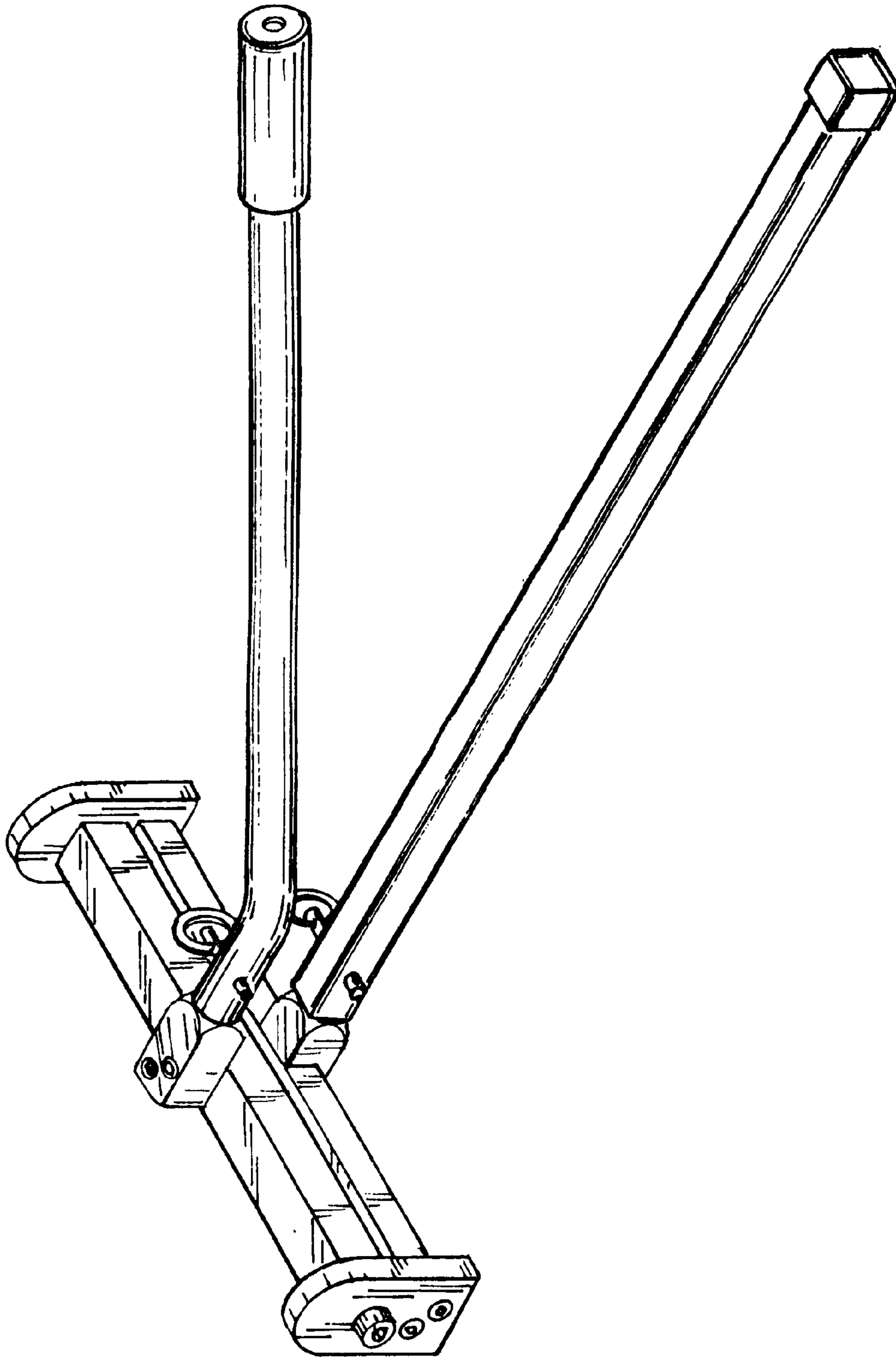


FIG. 7