



US00D443632S

(12) **United States Design Patent**
Johansson

(10) **Patent No.:** **US D443,632 S**

(45) **Date of Patent:** **** Jun. 12, 2001**

(54) **CAMERA ADAPTOR FRAME**

(75) **Inventor:** **Jan Johansson, Göteborg (SE)**

(73) **Assignee:** **Victor Hasselblad AB (SE)**

(**) **Term:** **14 Years**

(21) **Appl. No.:** **29/102,034**

(22) **Filed:** **Mar. 16, 1999**

(30) **Foreign Application Priority Data**

Sep. 14, 1998 (SE) 98-1832

(51) **LOC (7) Cl.** **16-05**

(52) **U.S. Cl.** **D16/237**

(58) **Field of Search** D3/263; D16/200,
D16/218, 219, 237; 396/373, 437, 439,
535, 536, 538

(56) **References Cited**

U.S. PATENT DOCUMENTS

50,555 *	10/1865	Burcaw	396/439
D. 380,296 *	7/1997	Smith	D16/237
3,719,132 *	3/1973	Urano	396/373
4,505,560 *	3/1985	Kozai	396/538

* cited by examiner

Primary Examiner—Adir Aronovich

(74) *Attorney, Agent, or Firm*—Lerner, David, Littenberg, Krumholz & Mentlik, LLP

(57) **CLAIM**

The ornamental design for a camera adaptor frame, as shown and described.

DESCRIPTION

FIG. 1 is a top, perspective view of a camera adaptor frame in accordance with the design of the present invention;

FIG. 2 is a front, elevational view of the camera adaptor frame shown in FIG. 1;

FIG. 3 is a rear, elevational view of the camera adaptor frame shown in FIG. 1;

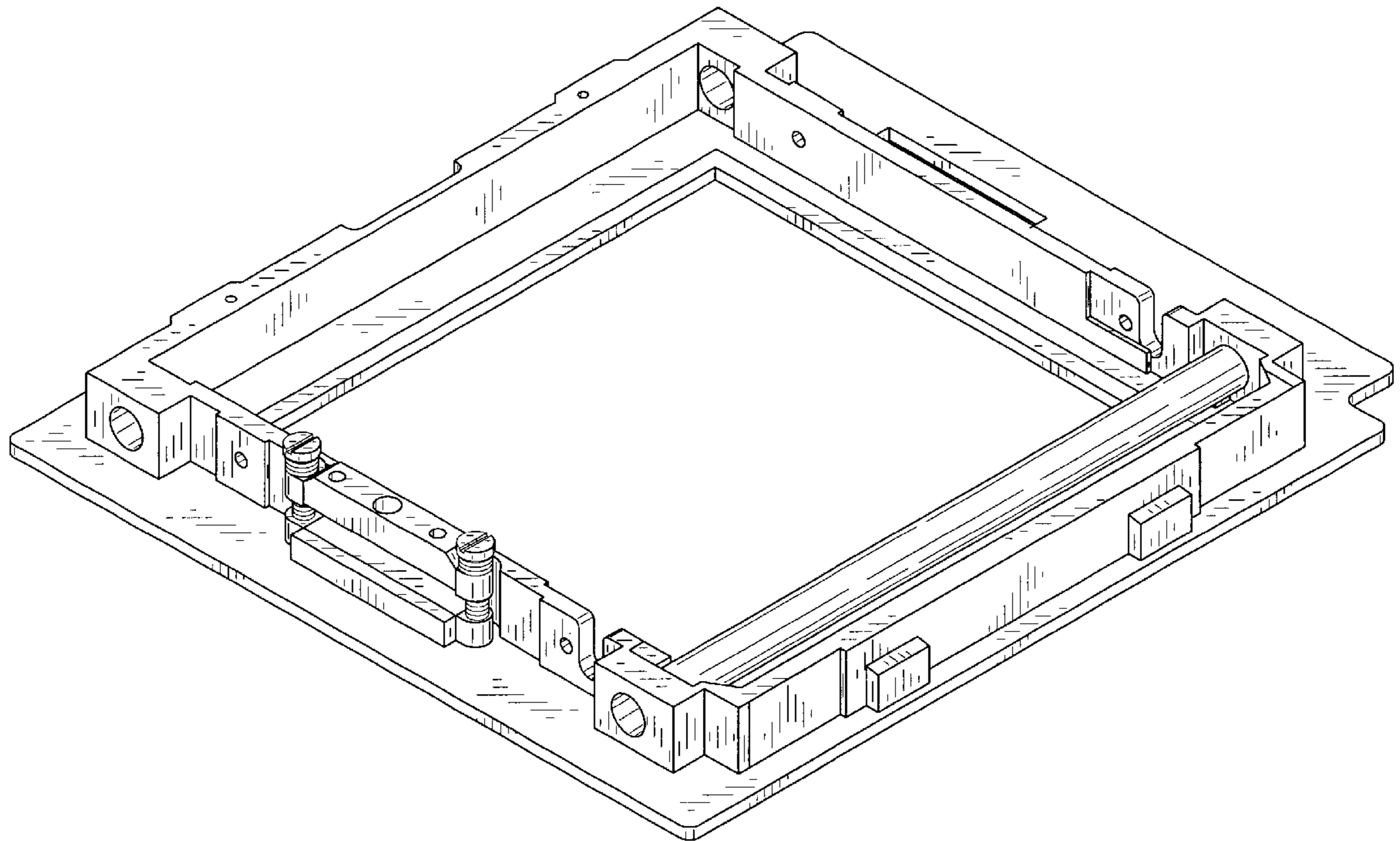
FIG. 4 is a top, elevational view of the camera adaptor frame shown in FIG. 1;

FIG. 5 is a bottom, elevational view of the camera adaptor frame shown in FIG. 1;

FIG. 6 is a right side, elevational view of the camera adaptor frame shown in FIG. 1; and,

FIG. 7 is a left side, elevational view of the camera adaptor frame shown in FIG. 1.

1 Claim, 3 Drawing Sheets



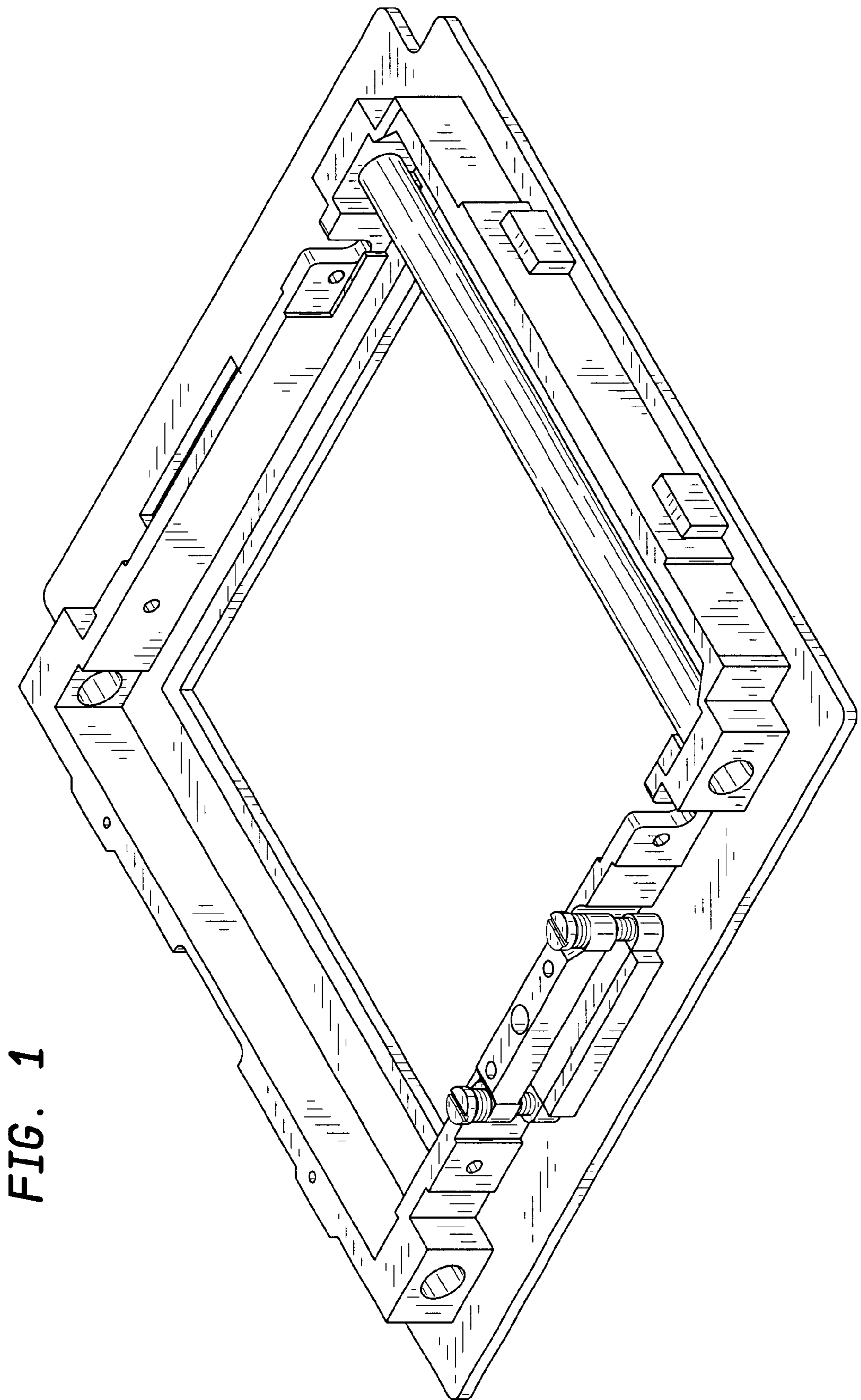


FIG. 1

FIG. 2

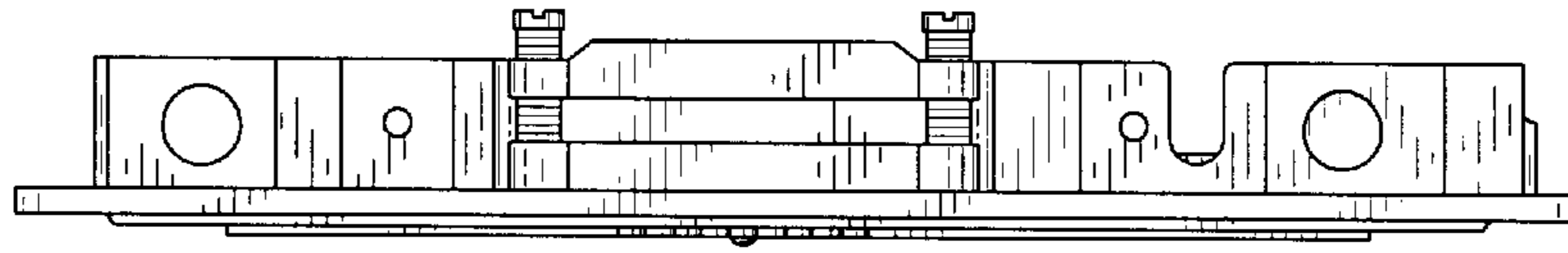


FIG. 3

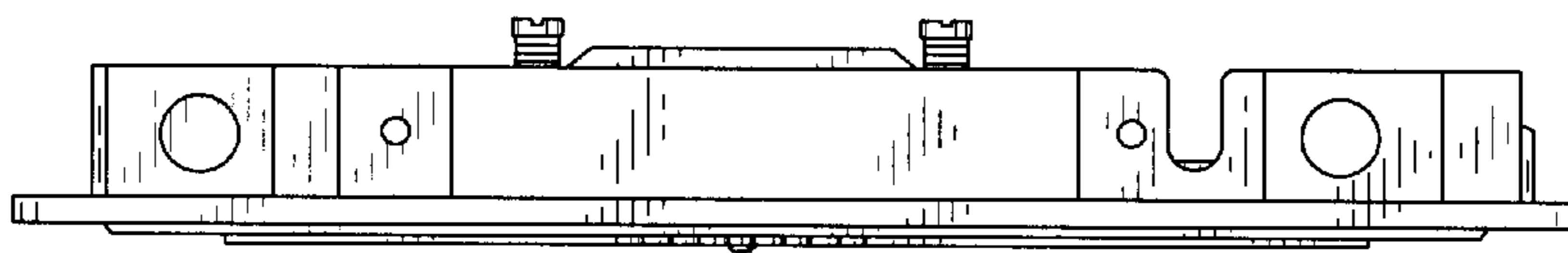


FIG. 4

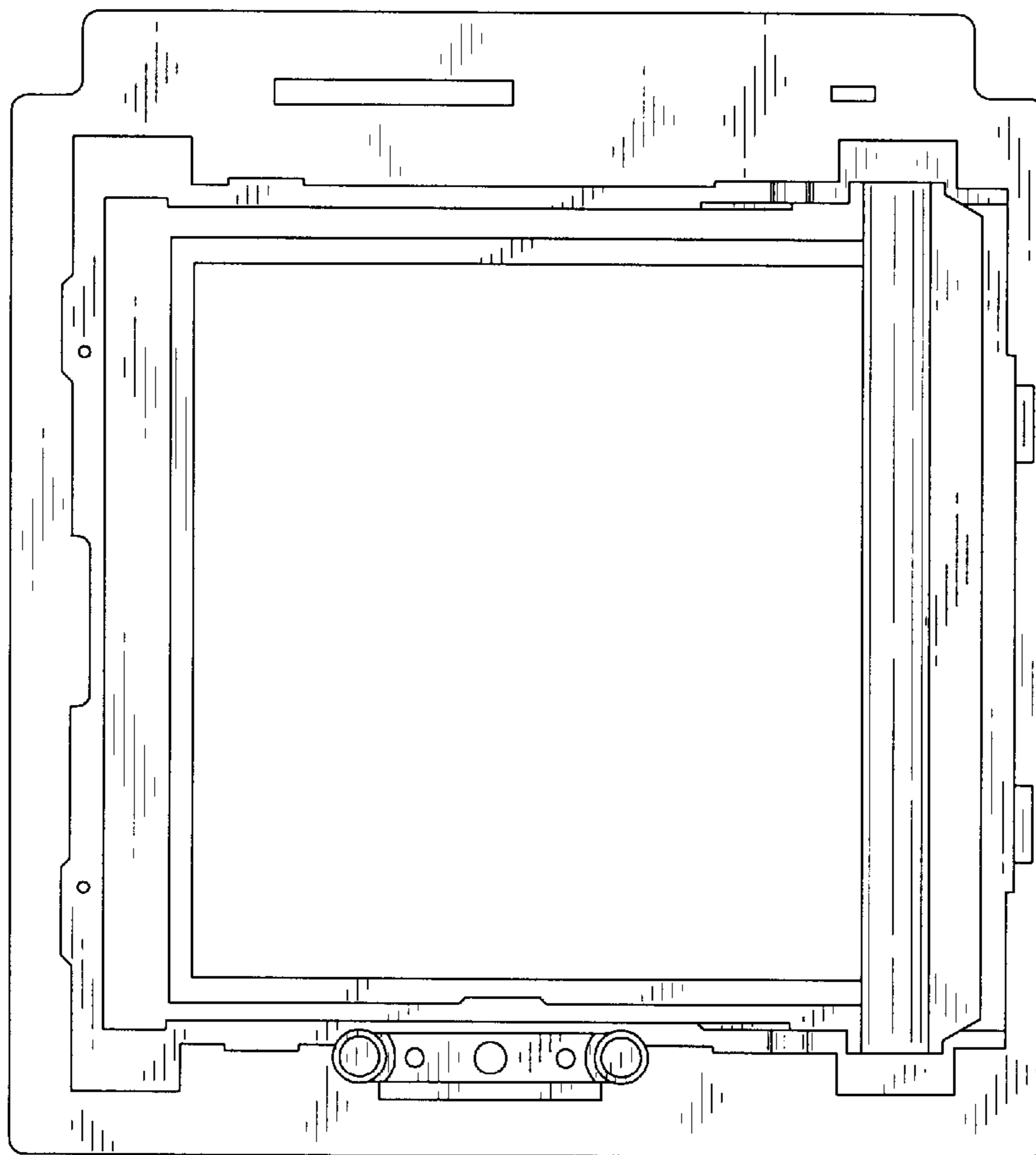


FIG. 5

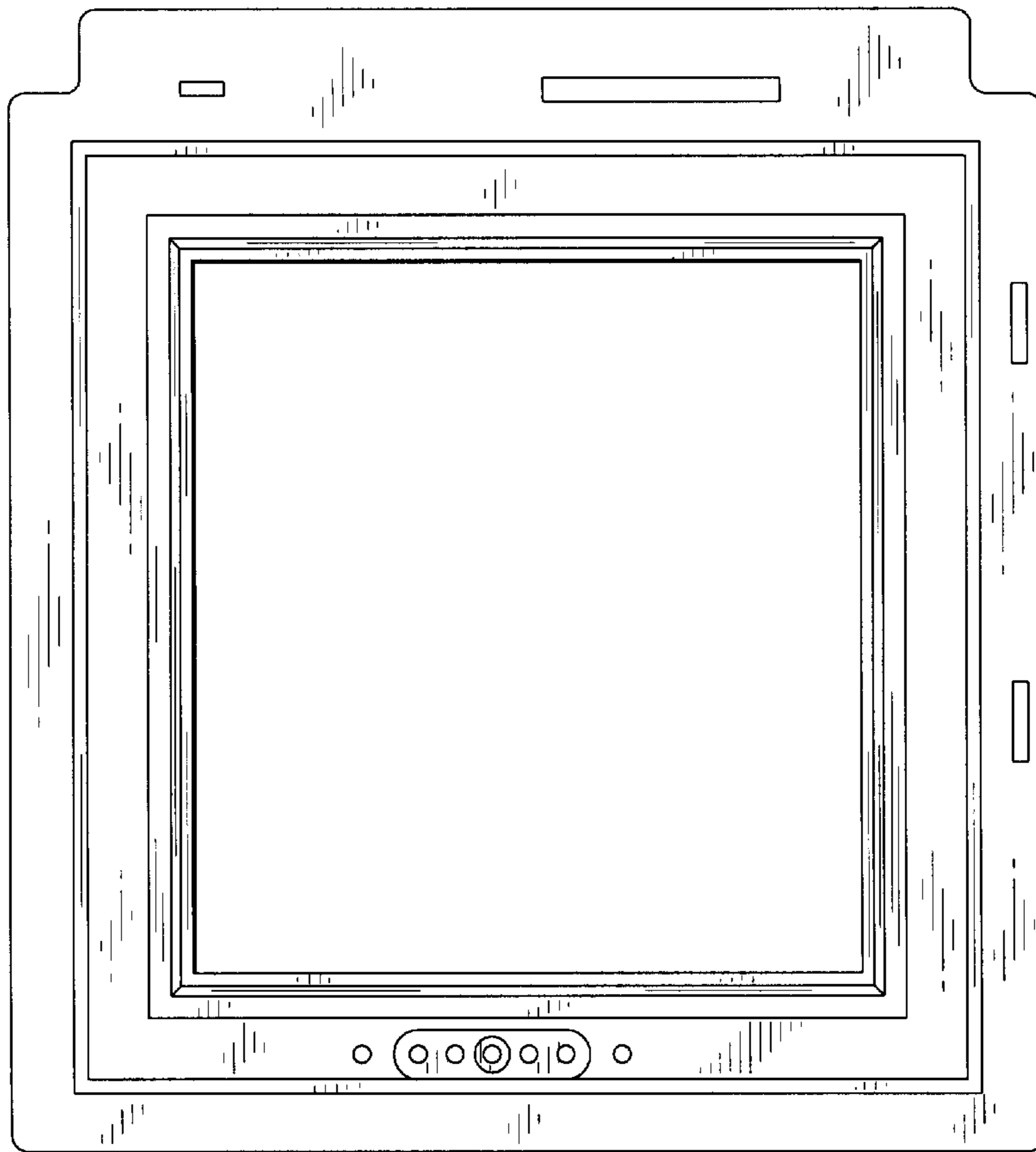


FIG. 6

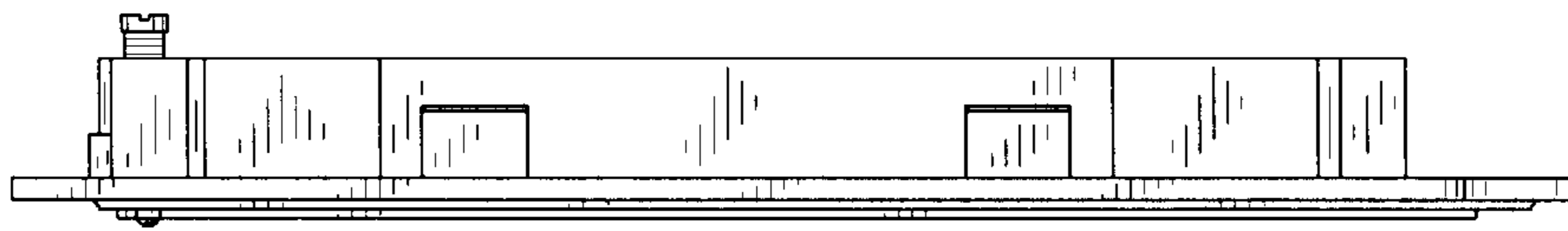


FIG. 7

