



US00D443630S

(12) **United States Design Patent**
Salvatori

(10) **Patent No.:** **US D443,630 S**

(45) **Date of Patent:** **** Jun. 12, 2001**

(54) **PORTABLE IMAGE PROJECTION SYSTEM**

(75) Inventor: **Phillip H. Salvatori**, Salem, OR (US)

(73) Assignee: **InFocus Corporation**, Wilsonville, OR (US)

(**) Term: **14 Years**

(21) Appl. No.: **29/122,869**

(22) Filed: **May 4, 2000**

(51) **LOC (7) Cl.** **16-02**

(52) **U.S. Cl.** **D16/230**

(58) **Field of Search** D16/200-206,
D16/208, 209, 213, 221, 225, 230; 353/115,
119, 122

(56) **References Cited**

U.S. PATENT DOCUMENTS

D. 260,997	*	9/1981	Asaki et al.	D16/209
D. 314,580	*	2/1991	Shinano	D16/202
D. 391,940	*	3/1998	Sakata	D16/213
D. 409,644	*	5/1999	Uehara	D16/234
D. 420,031	*	2/2000	Yamano	D16/230

OTHER PUBLICATIONS

Sharp Catalog, Aug. 1993 p. 7 (T2Z projector).*

* cited by examiner

Primary Examiner—Adir Aronovich

(74) *Attorney, Agent, or Firm*—Stoel Rives LLP

(57) **CLAIM**

The ornamental design for a portable image projection system, as shown and described.

DESCRIPTION

FIG. 1 is a right side, front perspective view of a portable image projection system showing my new design; FIG. 2 is a right side, rear perspective view thereof; FIG. 3 is a left side, rear perspective view thereof; FIGS. 4 and 5 are respective front and rear side elevation views thereof; FIGS. 6 and 7 are respective top and bottom plan views thereof; and, FIGS. 8 and 9 are respective right and left side elevation views thereof.

The broken lines are shown to illustrate the environment only and form no part of the claimed design.

1 Claim, 3 Drawing Sheets

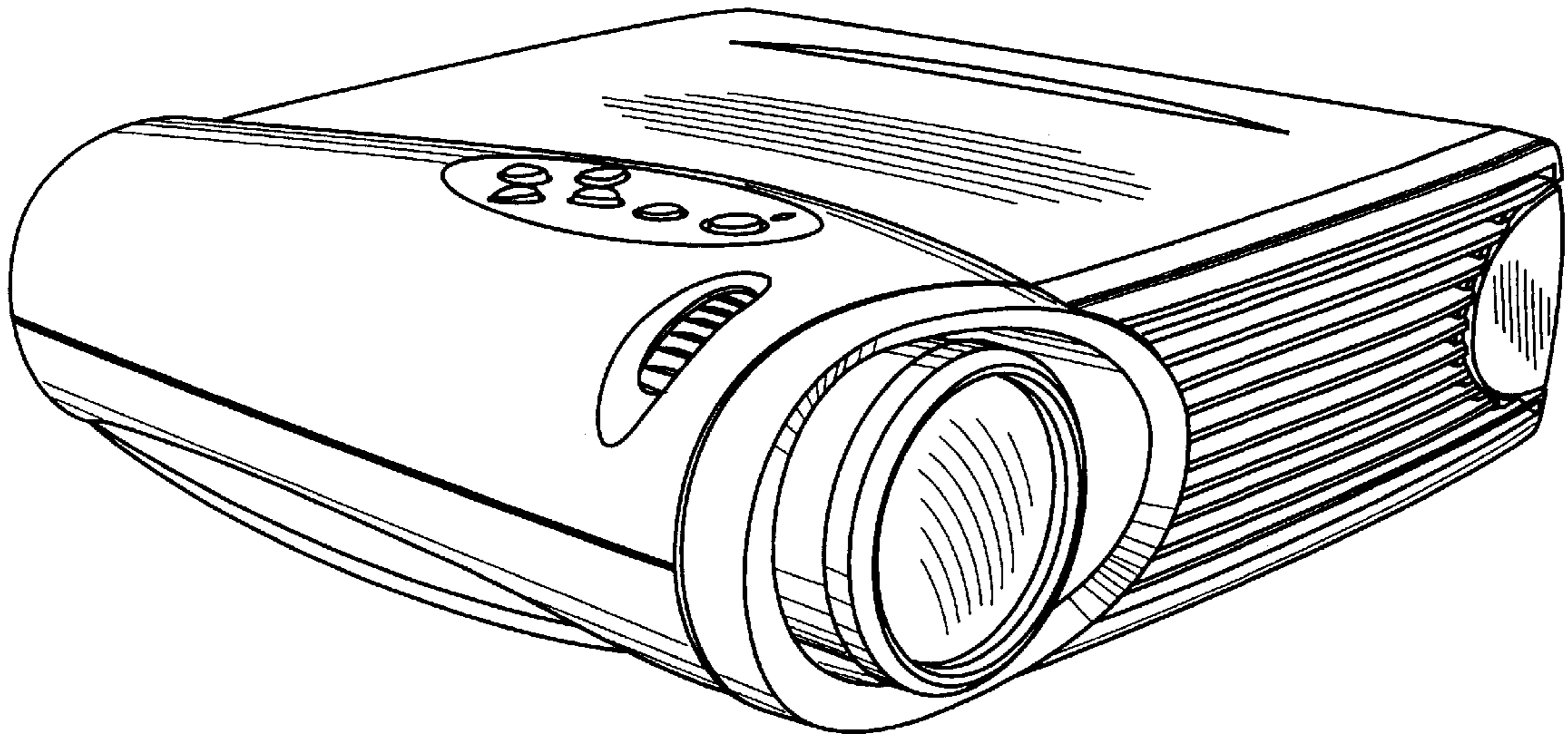


FIG. 1

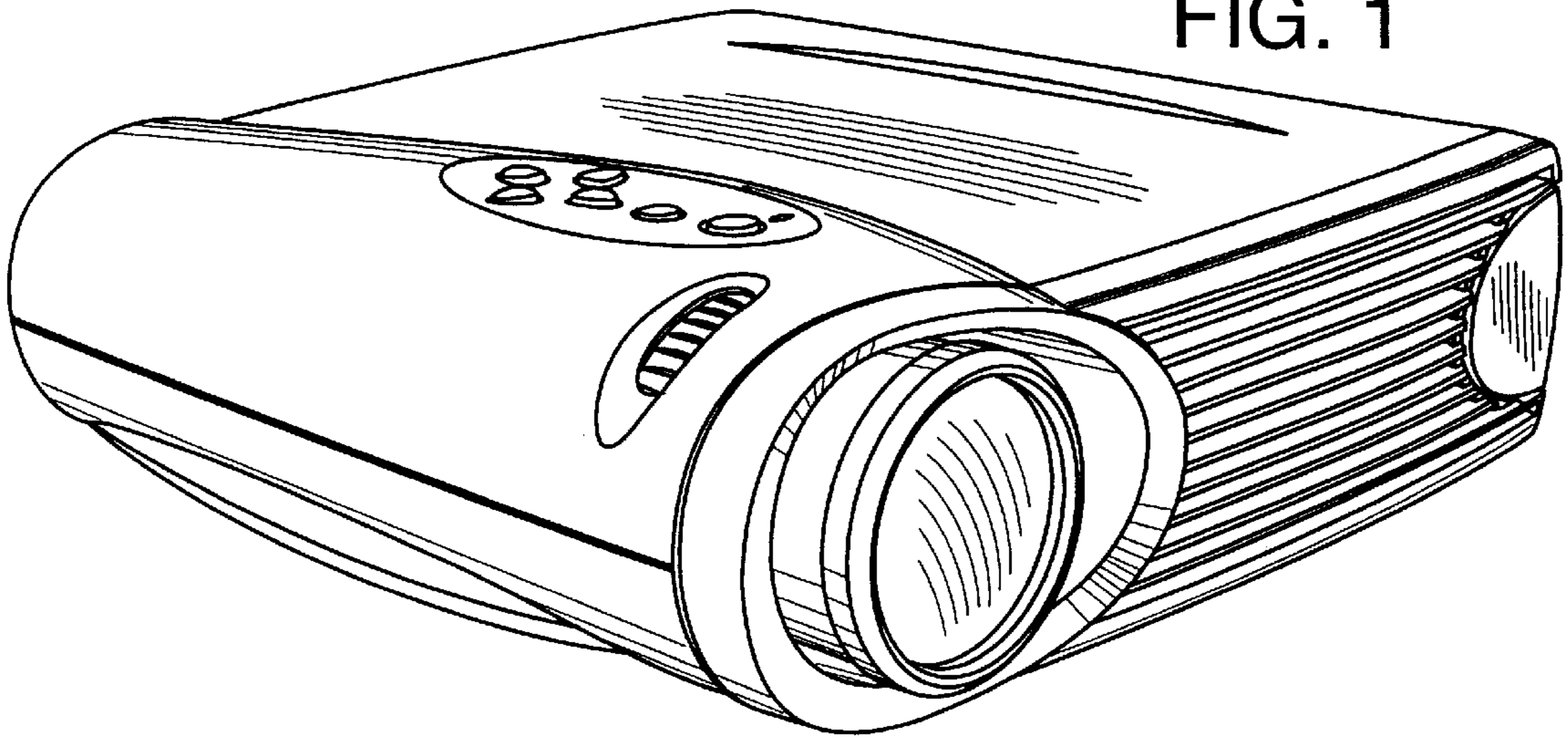


FIG. 2

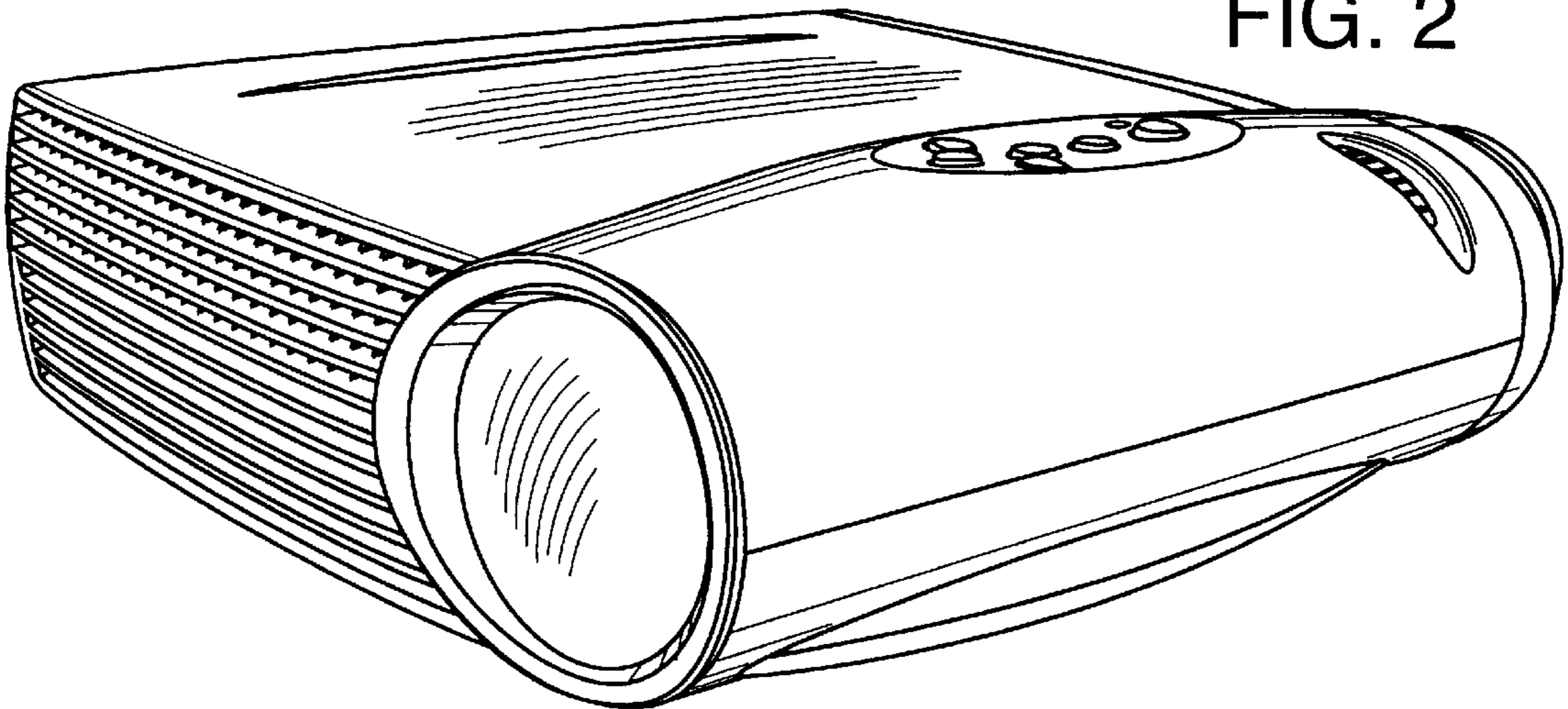


FIG. 3

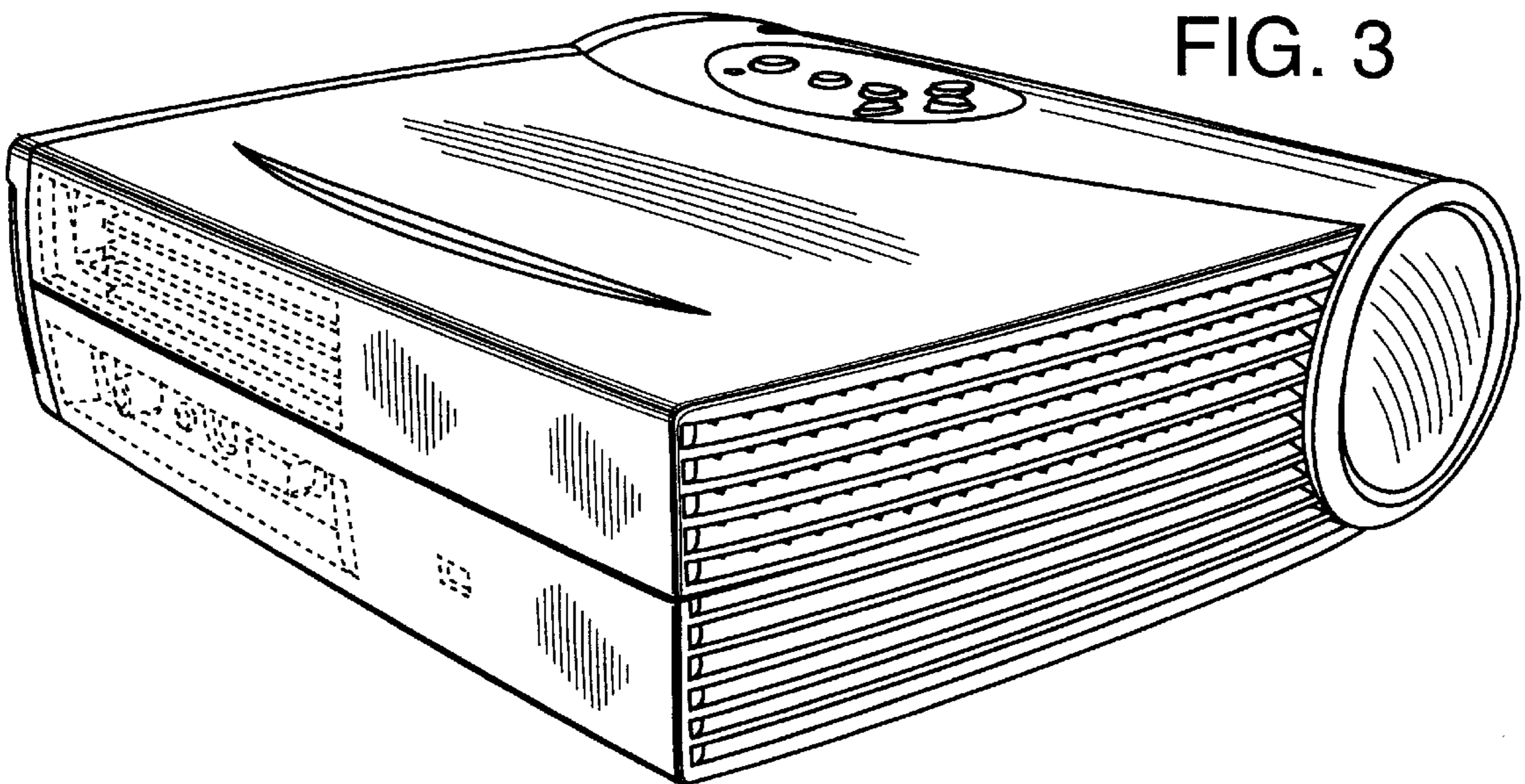


FIG. 4

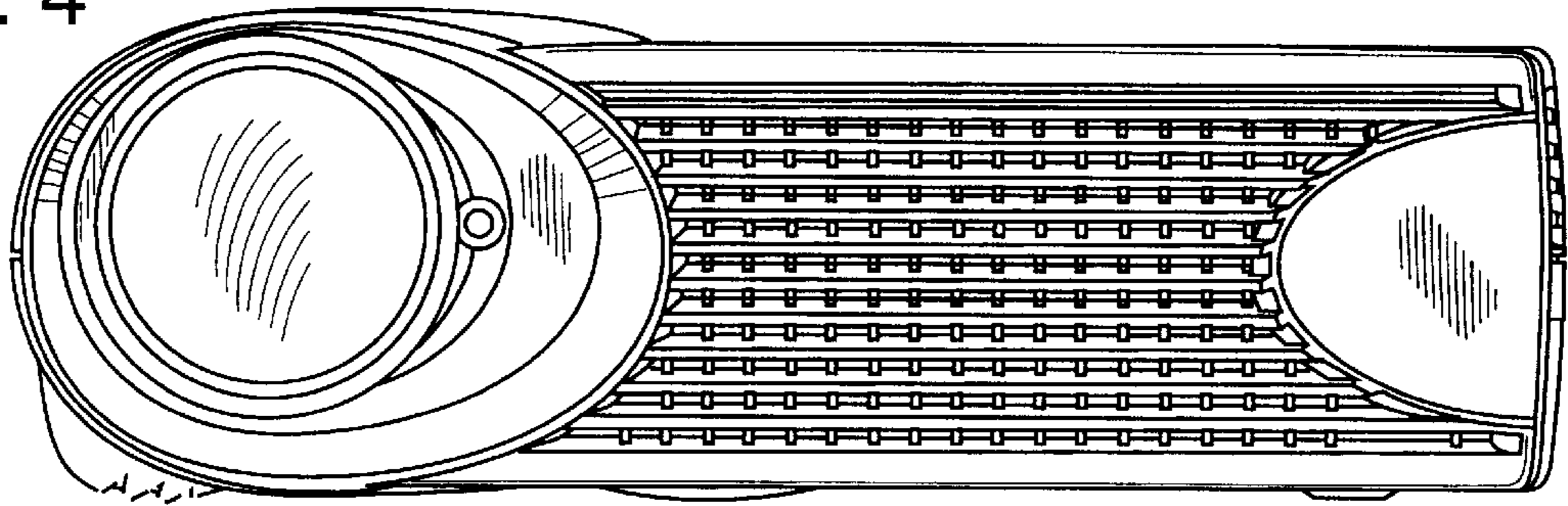


FIG. 5

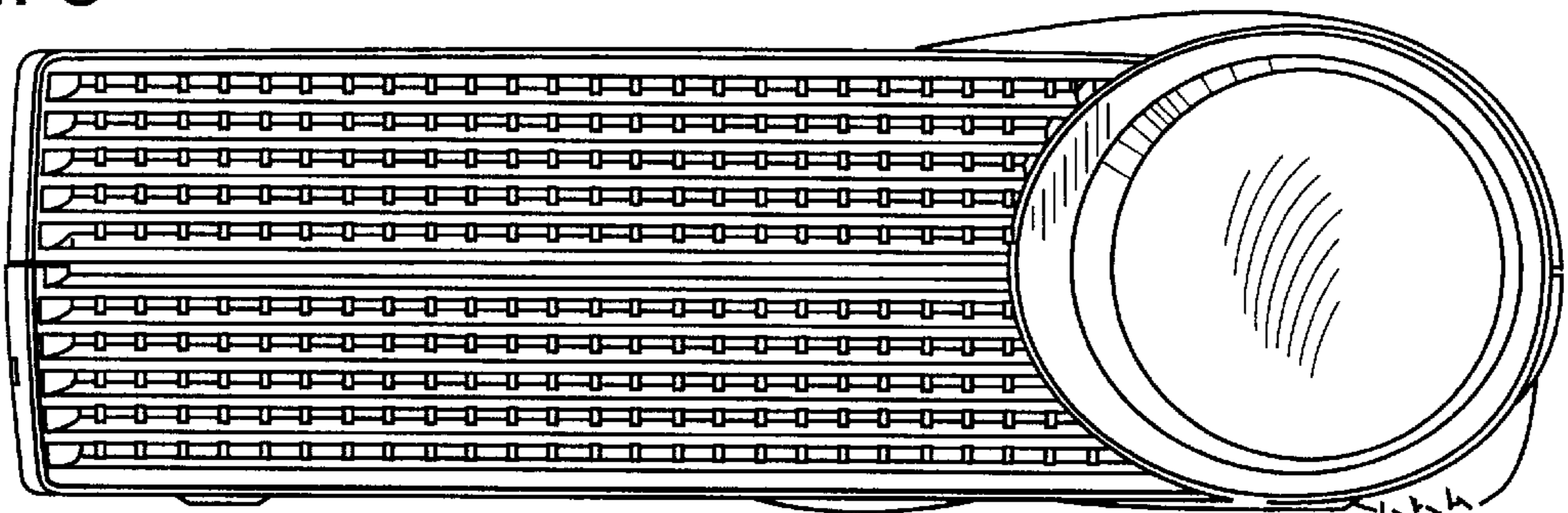


FIG. 8

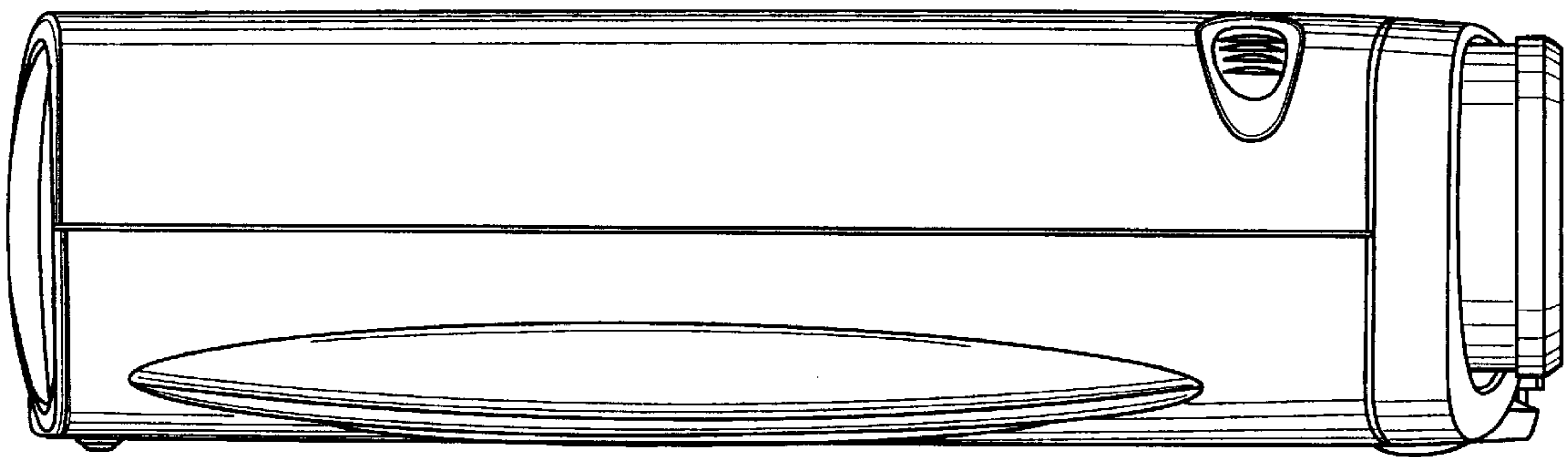


FIG. 9

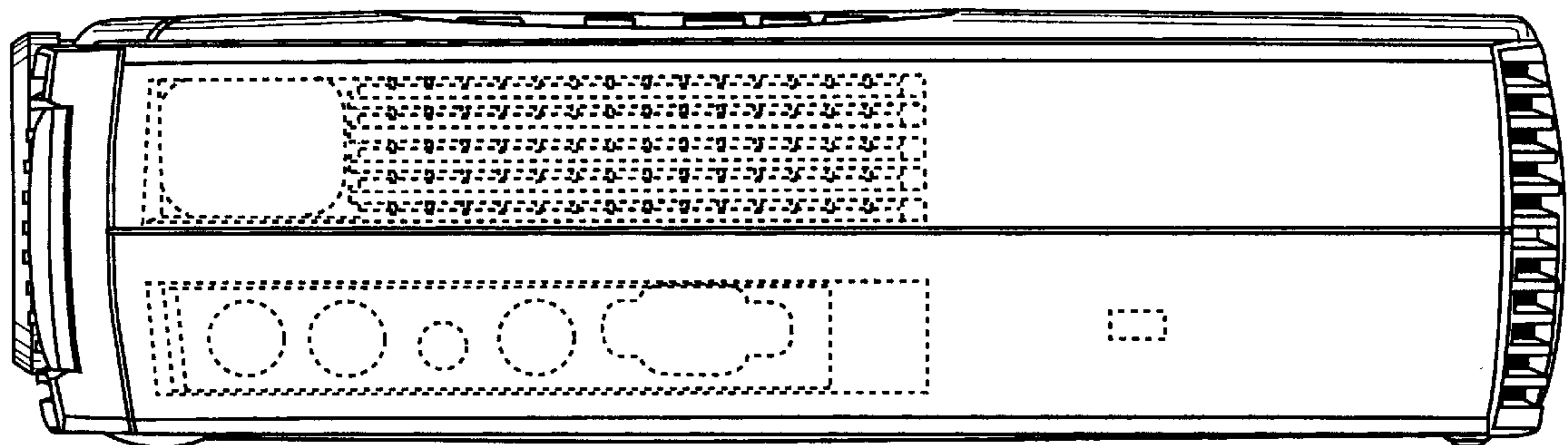


FIG. 6

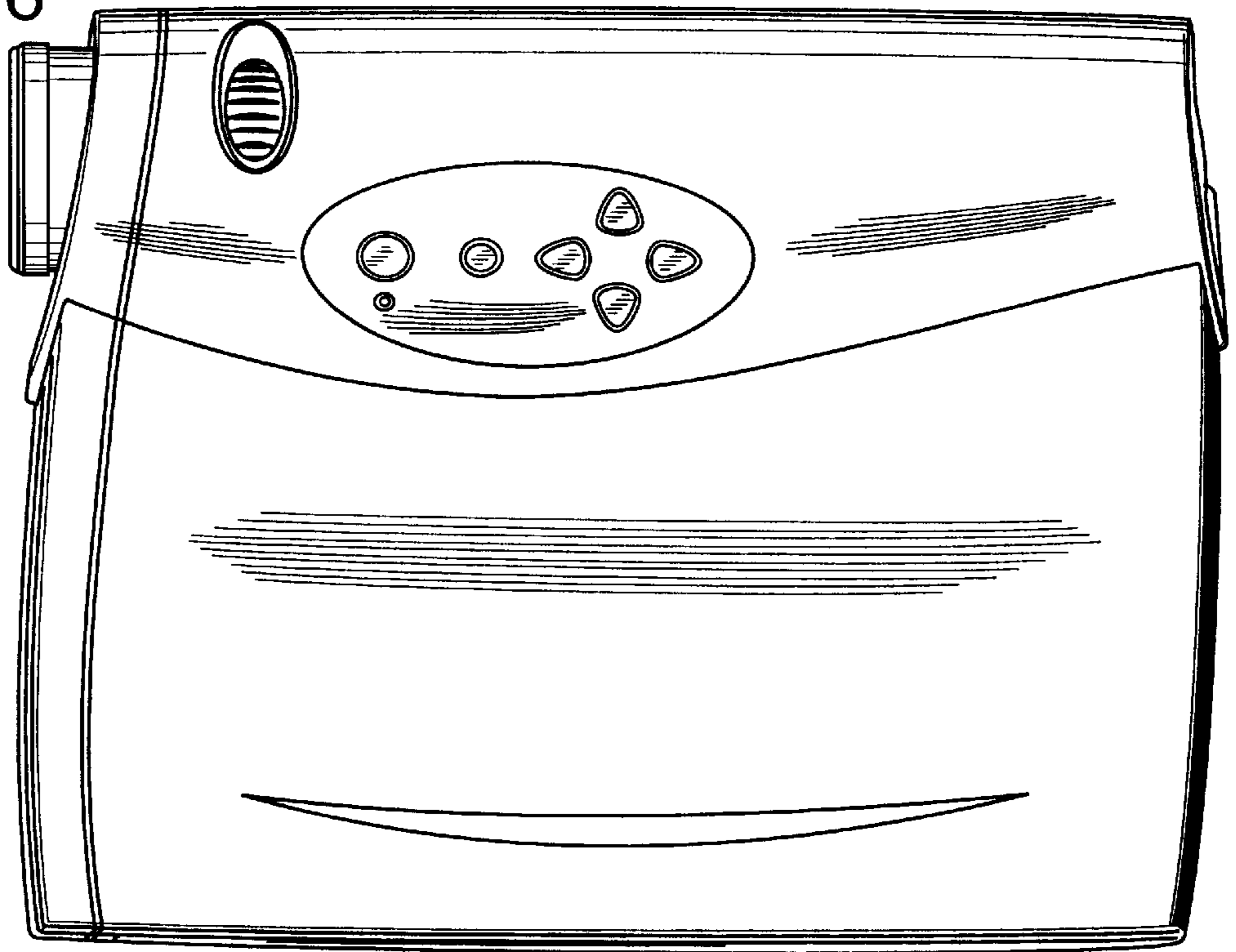


FIG. 7

