



US00D443629S

(12) **United States Design Patent**
Suzuki

(10) **Patent No.:** **US D443,629 S**

(45) **Date of Patent:** **** Jun. 12, 2001**

(54) **VIDEO CAMERA**

(75) Inventor: **Akio Suzuki**, Tokyo (JP)

(73) Assignee: **Sony Corporation**, Tokyo (JP)

(**) Term: **14 Years**

(21) Appl. No.: **29/121,727**

(22) Filed: **Apr. 13, 2000**

(51) **LOC (7) Cl.** **16-01**

(52) **U.S. Cl.** **D16/202**

(58) **Field of Search** **D16/200-208;**
348/373-376; 352/242, 243; 358/906; 396/535-541

(56) **References Cited**

U.S. PATENT DOCUMENTS

D. 384,085	*	9/1997	Harata	D16/202
D. 400,900	*	11/1998	Harata	D16/202
D. 404,047	*	1/1999	Ishii	D16/202
D. 410,016		5/1999	Maeyama	D16/202
D. 412,178	*	7/1999	Kobayashi	D16/202
D. 413,133		8/1999	Maeyama	D16/202
D. 416,928		11/1999	Sumita	D16/202
D. 417,230	*	11/1999	Sumita	D16/202
5,499,052	*	3/1996	Nakanishi et al.	348/373

OTHER PUBLICATIONS

Catalog "93", pp. 8 & 339 (CCD-TRV85K, CCD-TRV45K, CCD-TRV35E(JE) & CCD-TRV3E(JE)), Sony, Nov., 1999.

Catalog "90", pp. 8 & 332 (DCR-TRV310K, DCR-TRV110K, CCD-TRV66K, CCD-TRV46E(JE)), Sony, Nov. 1998.

* cited by examiner

Primary Examiner—Adir Aronovich

(74) *Attorney, Agent, or Firm*—Rader, Fishman & Grauer

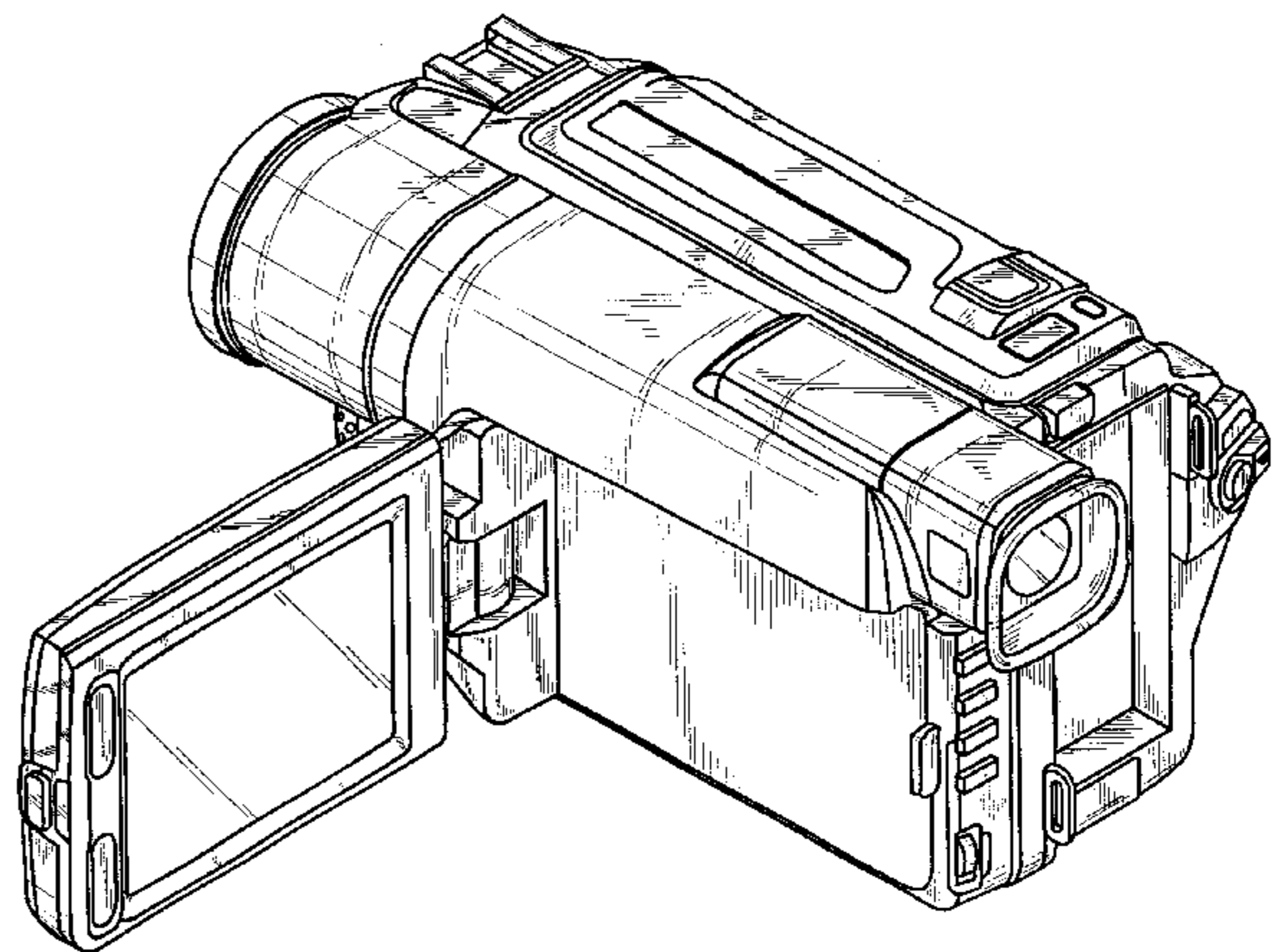
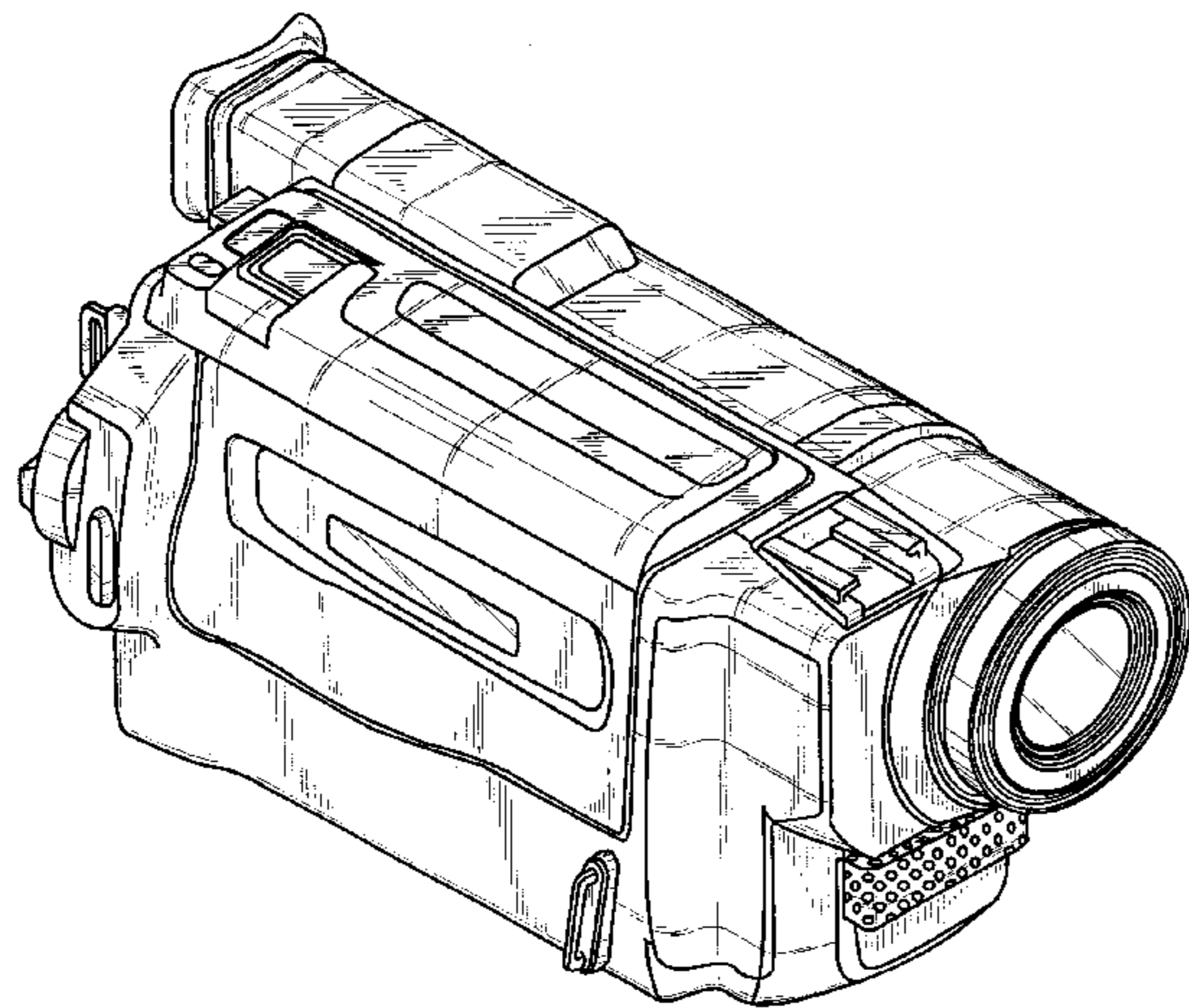
(57) **CLAIM**

The ornamental design for a video camera, as shown and described,

DESCRIPTION

FIG. 1 is a top, front perspective view of the front portion of a video camera showing my design;
FIG. 2 is a top plan view thereof;
FIG. 3 is a bottom plan view thereof;
FIG. 4 is a left side elevational view thereof;
FIG. 5 is a right side elevational view thereof;
FIG. 6 is a front elevational view thereof; and
FIG. 7 is a rear elevational view thereof.
FIG. 8 is a top, rear perspective view thereof, wherein the viewing screen shown in an extending away position;
FIG. 9 is a top, rear perspective view thereof, the viewing screen shown in the first alternate position;
FIG. 10 is a top, rear perspective view thereof, the viewing screen shown in the second alternate position; and,
FIG. 11 is a top, rear perspective view thereof, the viewing screen shown in the third alternative position.

1 Claim, 6 Drawing Sheets



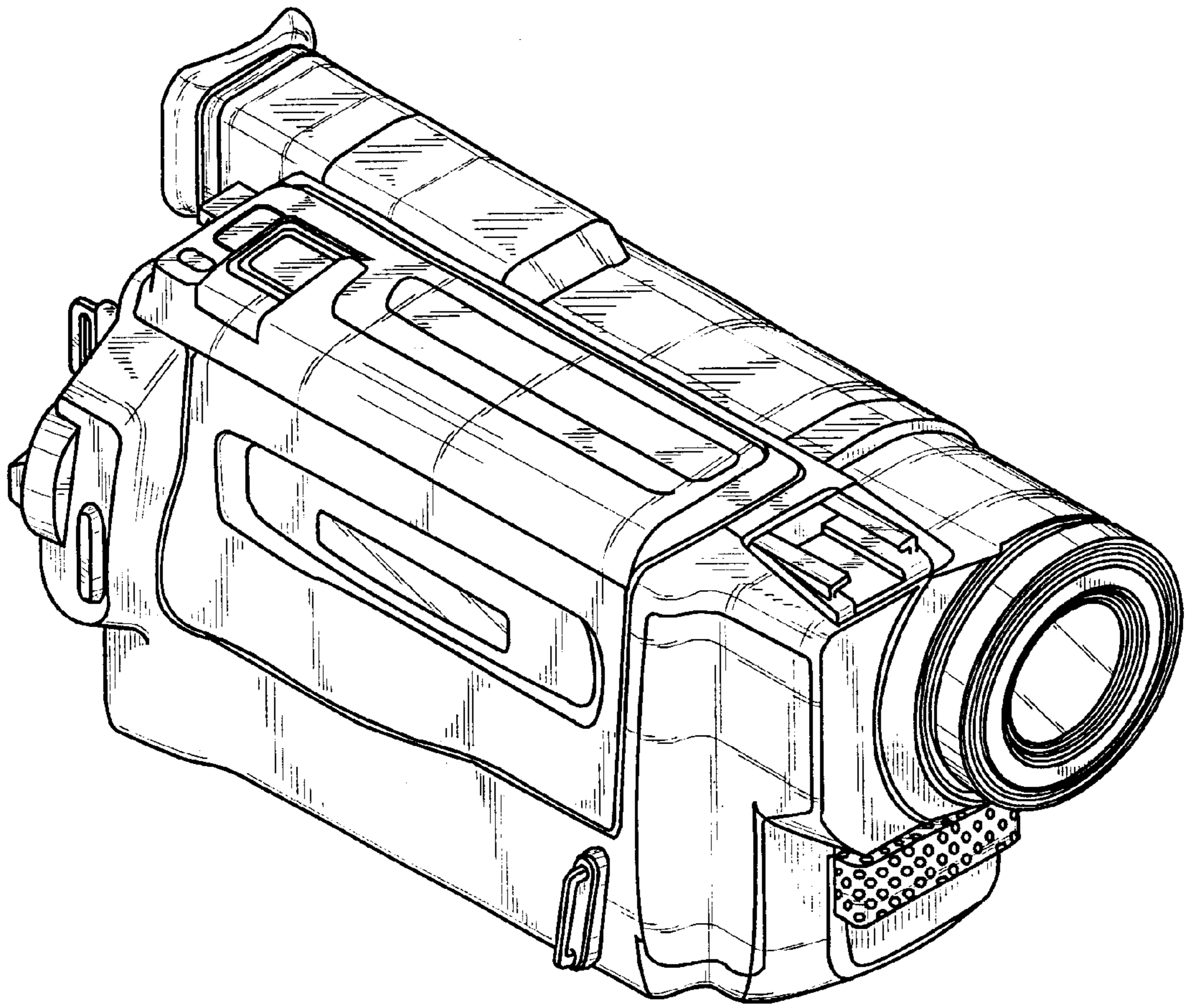


Fig. 1

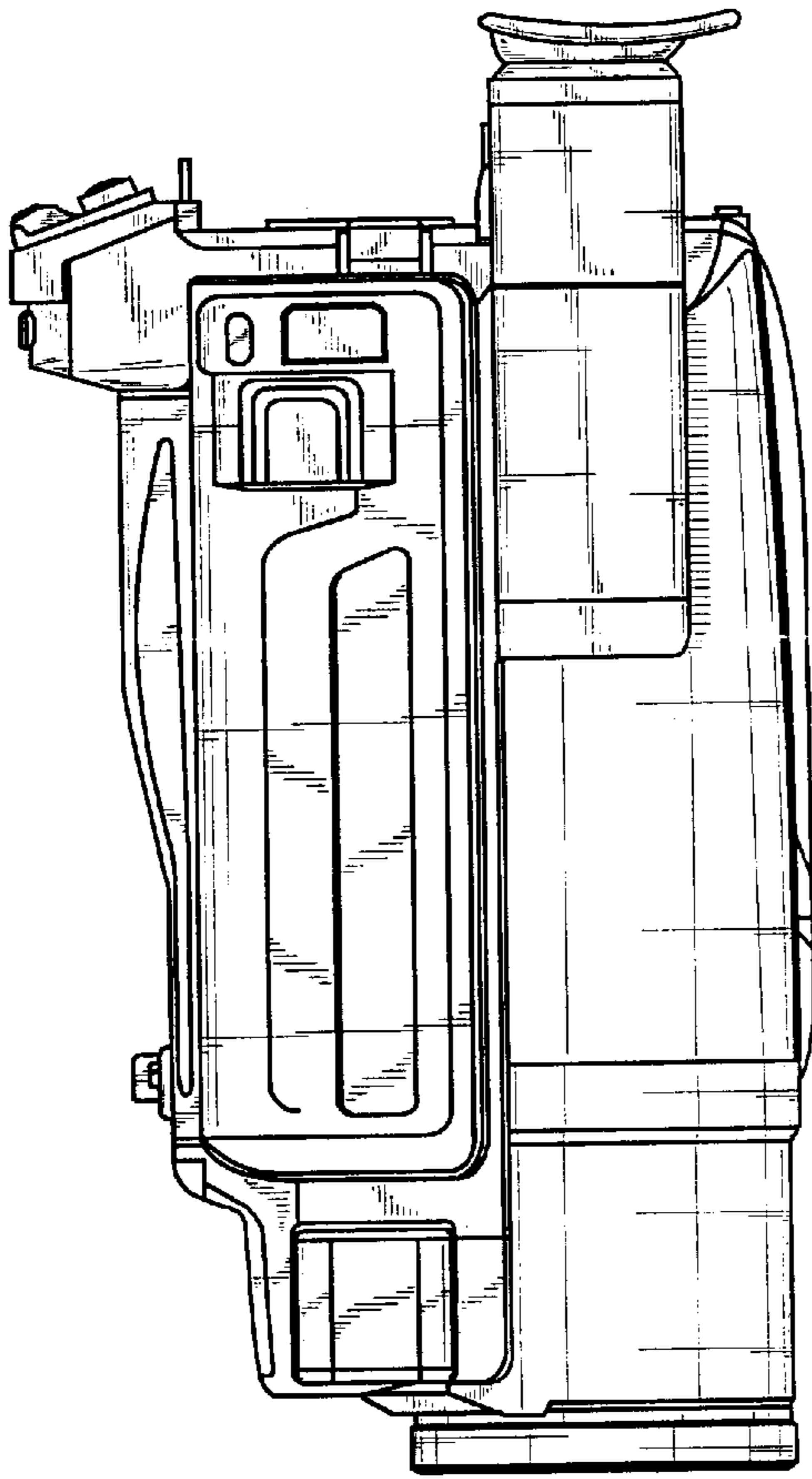


Fig. 2

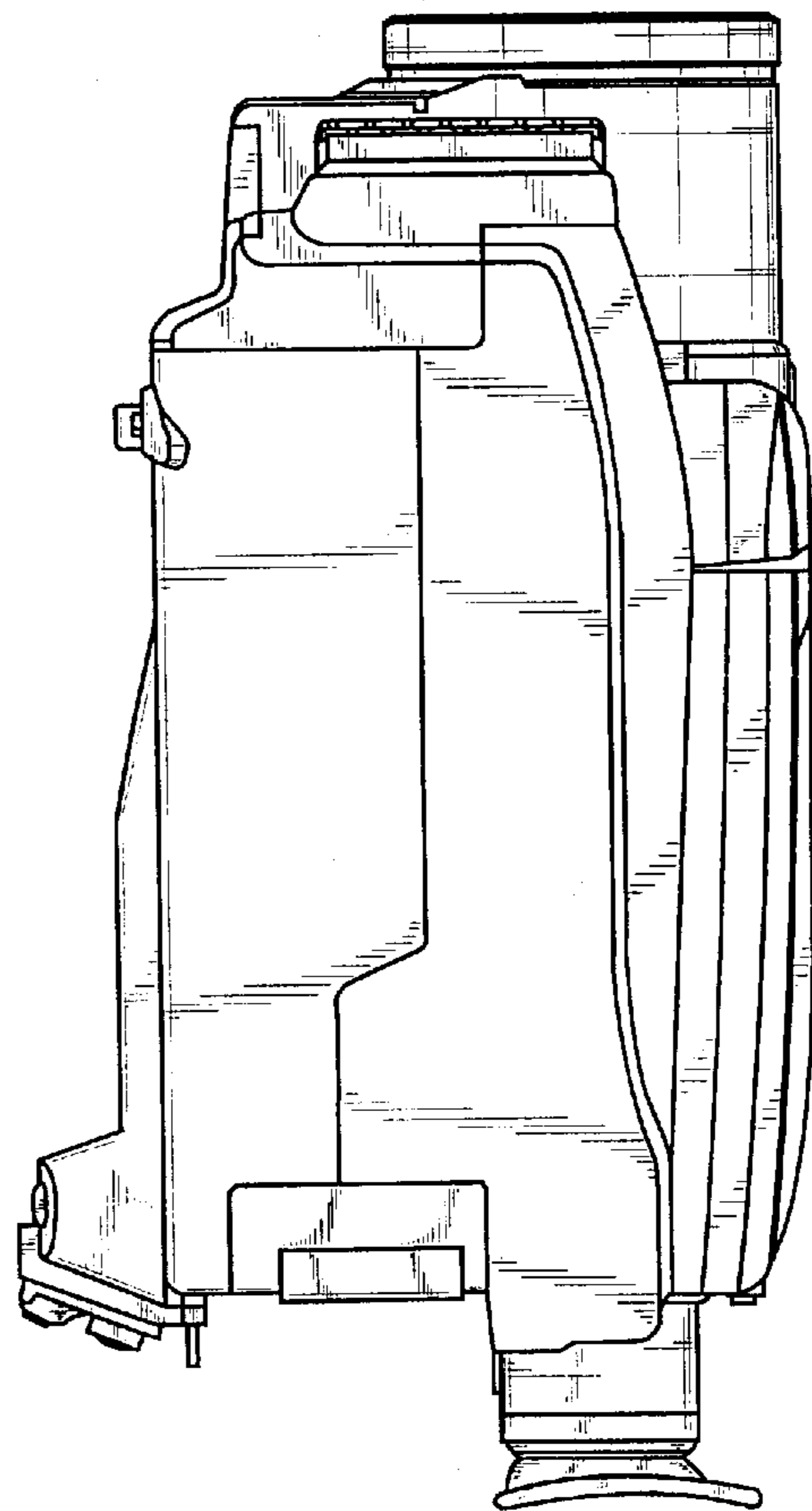


Fig. 3

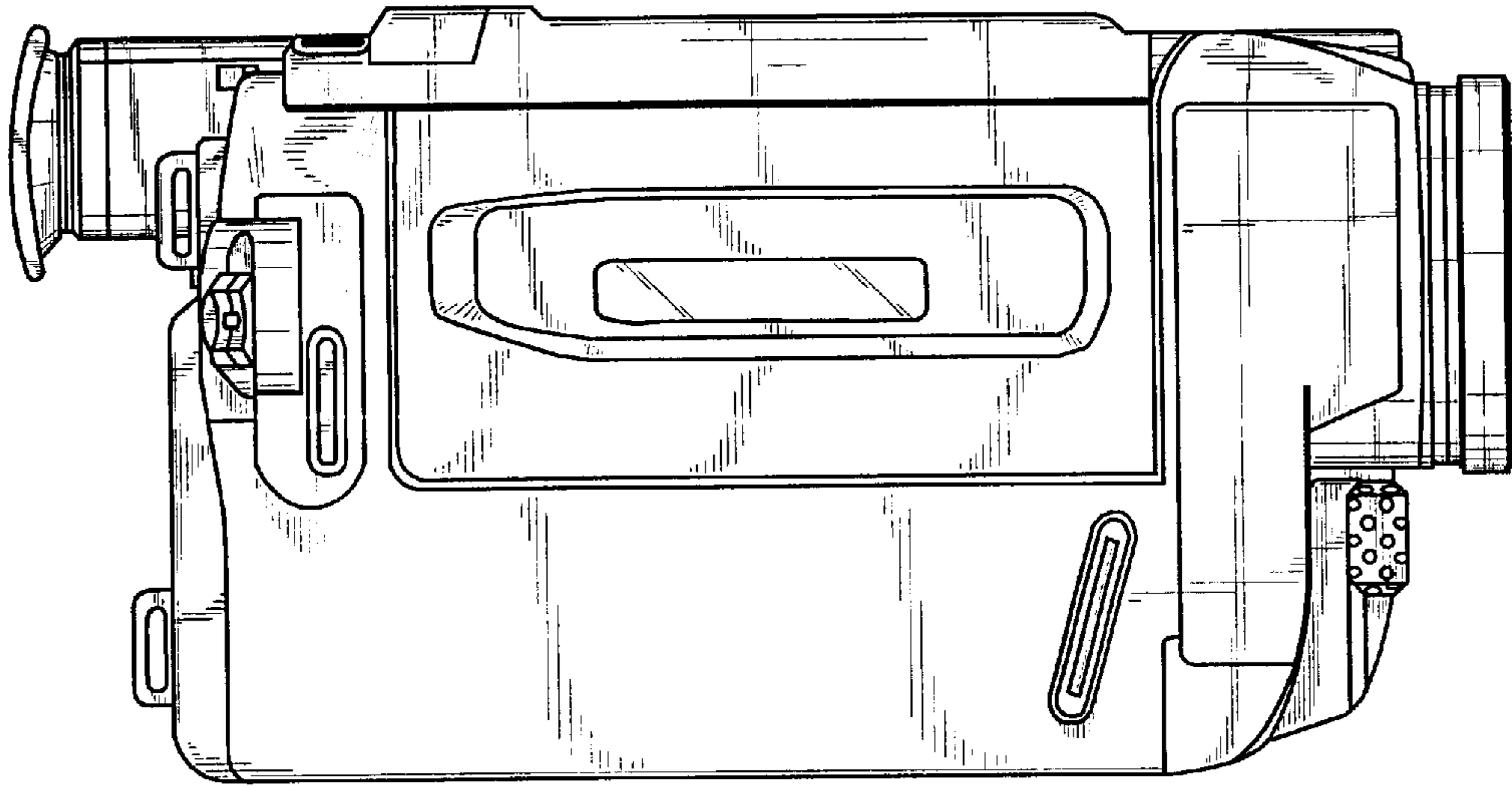


Fig. 4

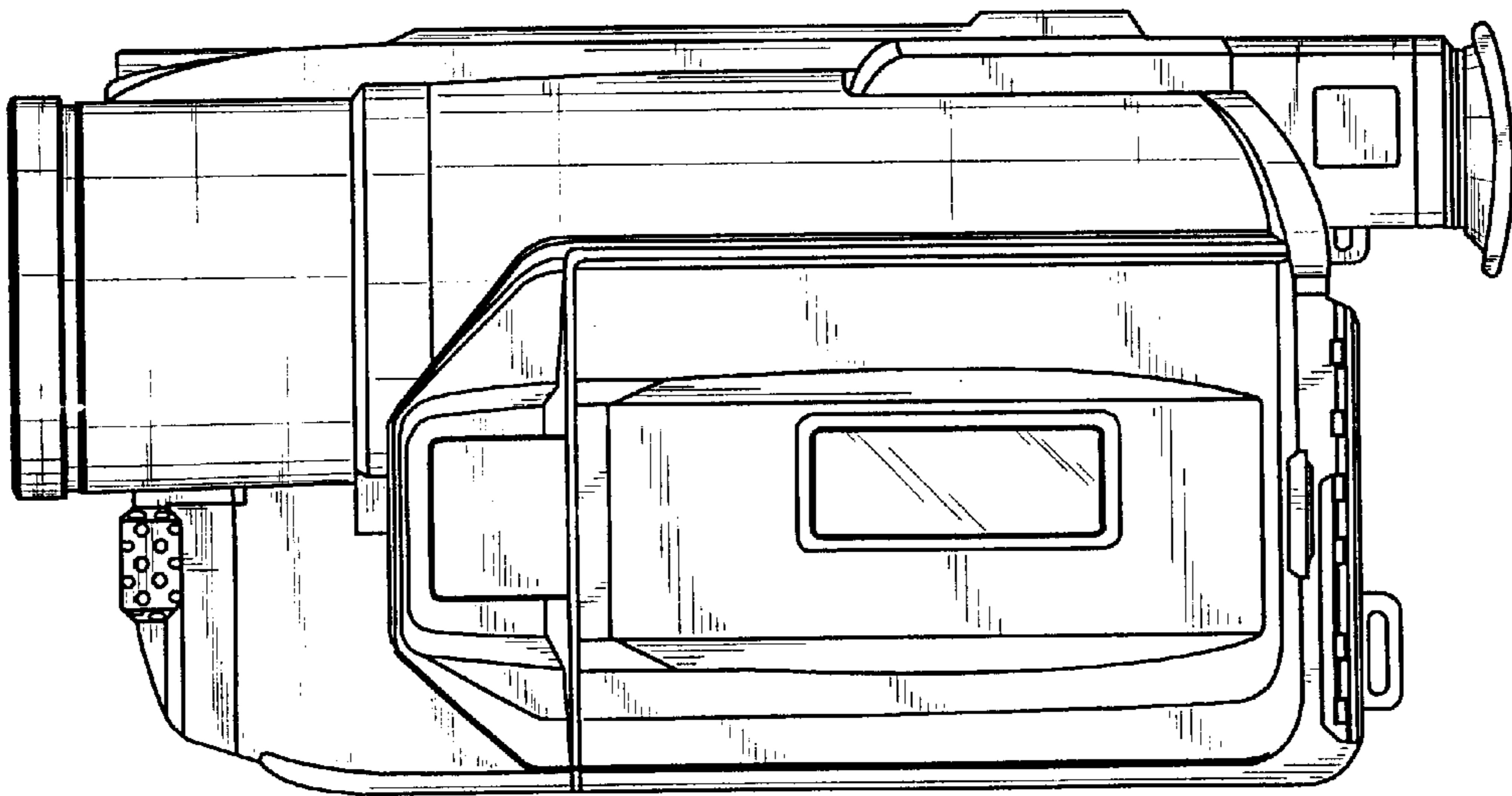


Fig. 5

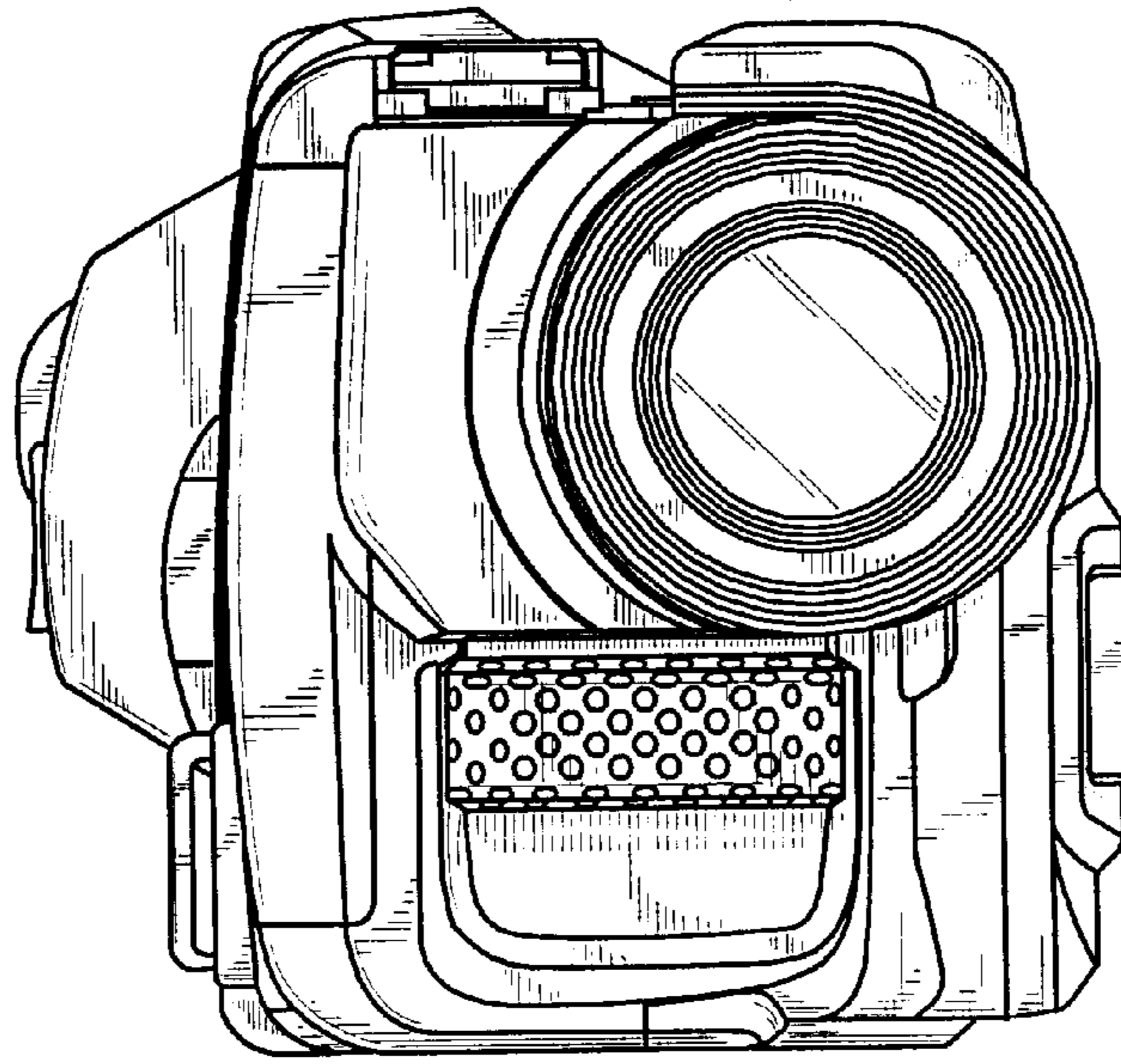


Fig. 6

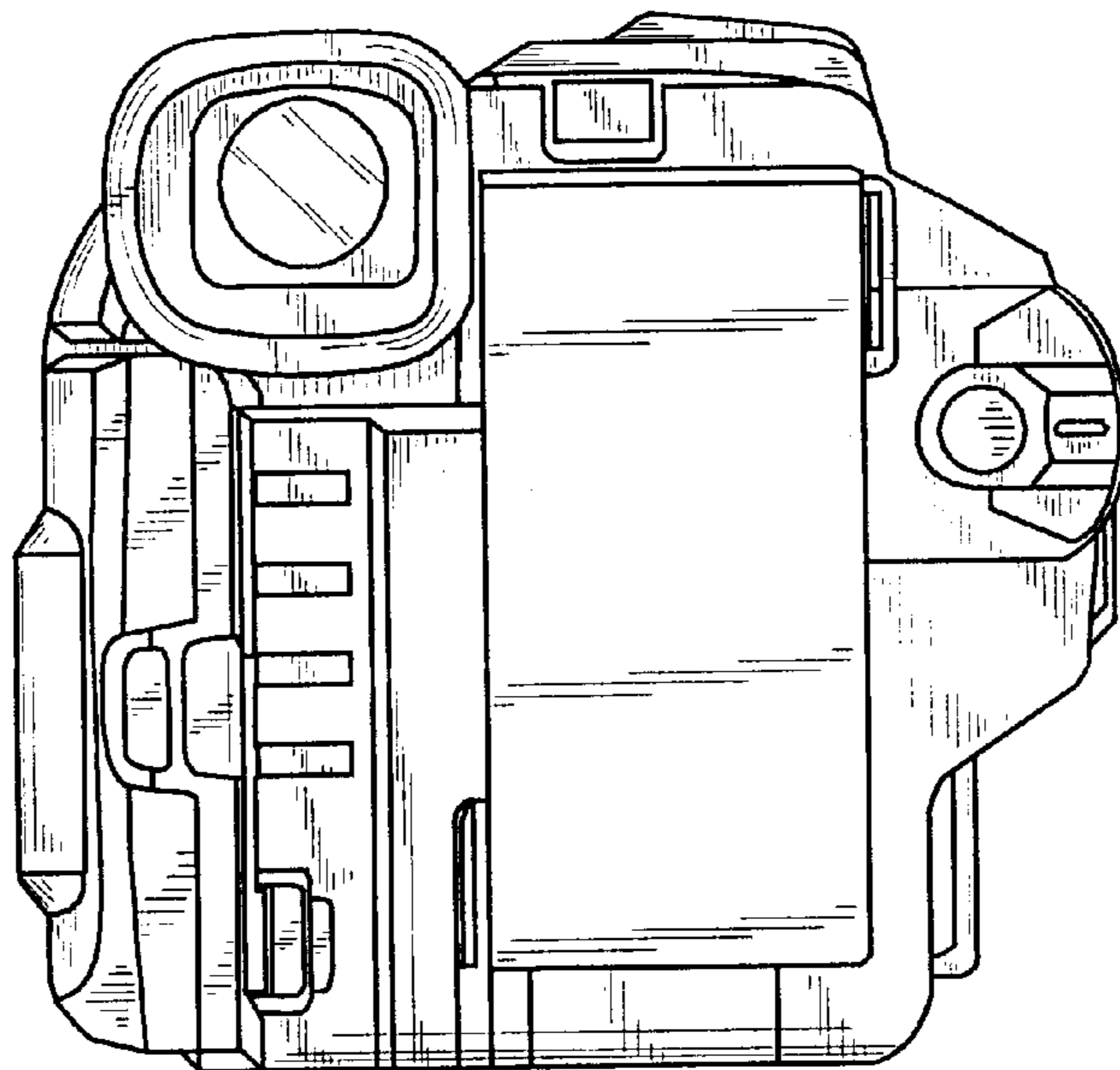


Fig. 7

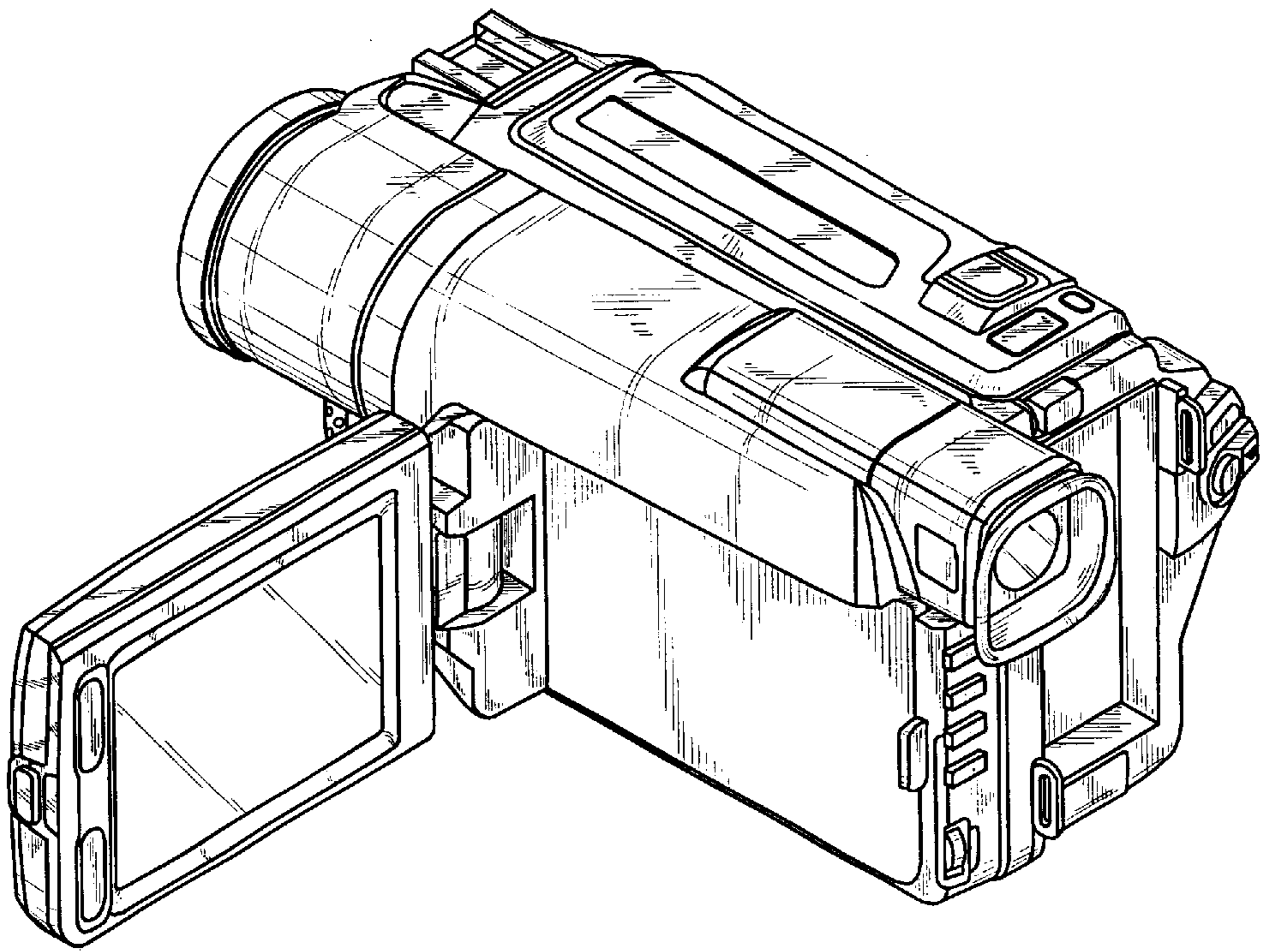


Fig. 8

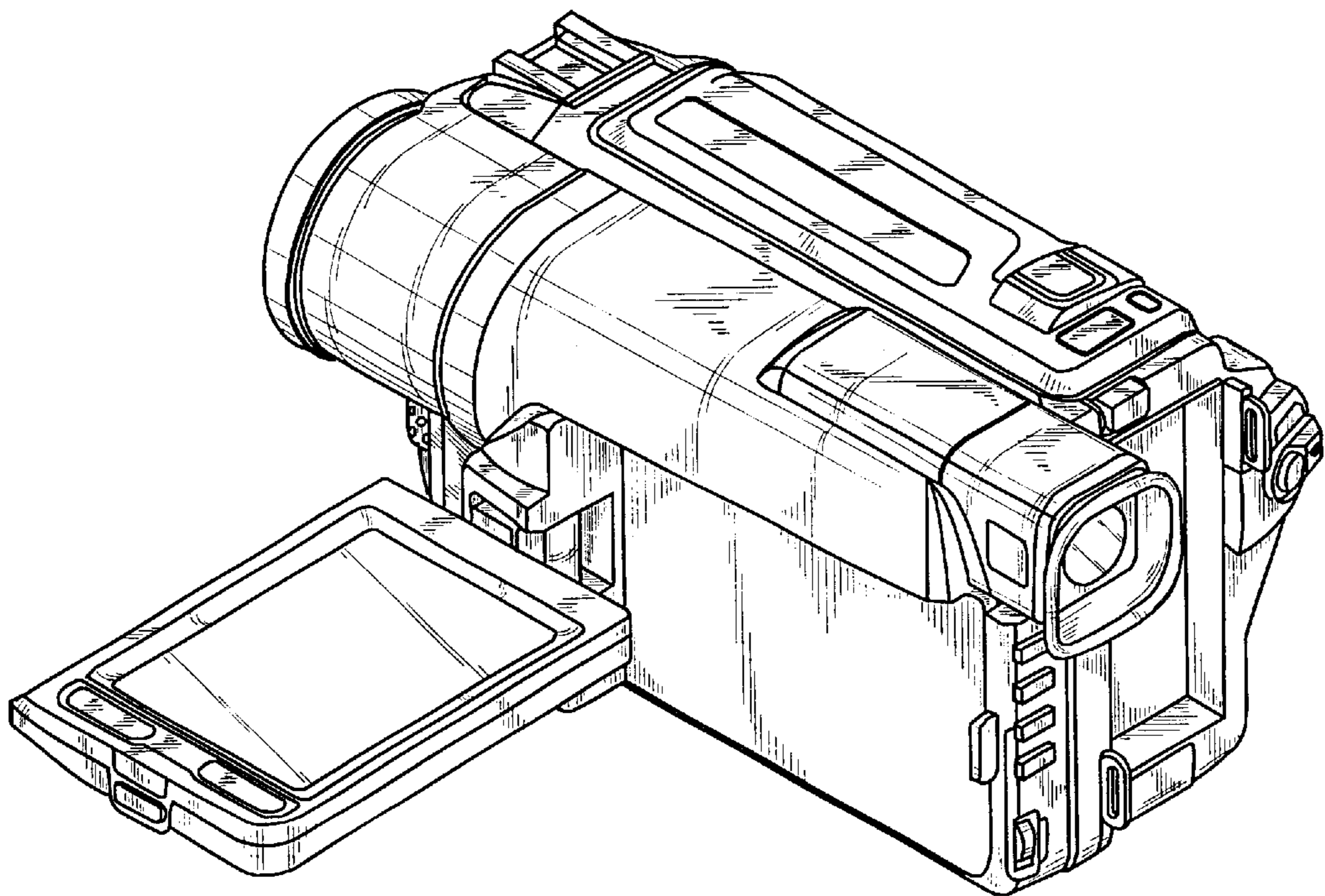


Fig. 9

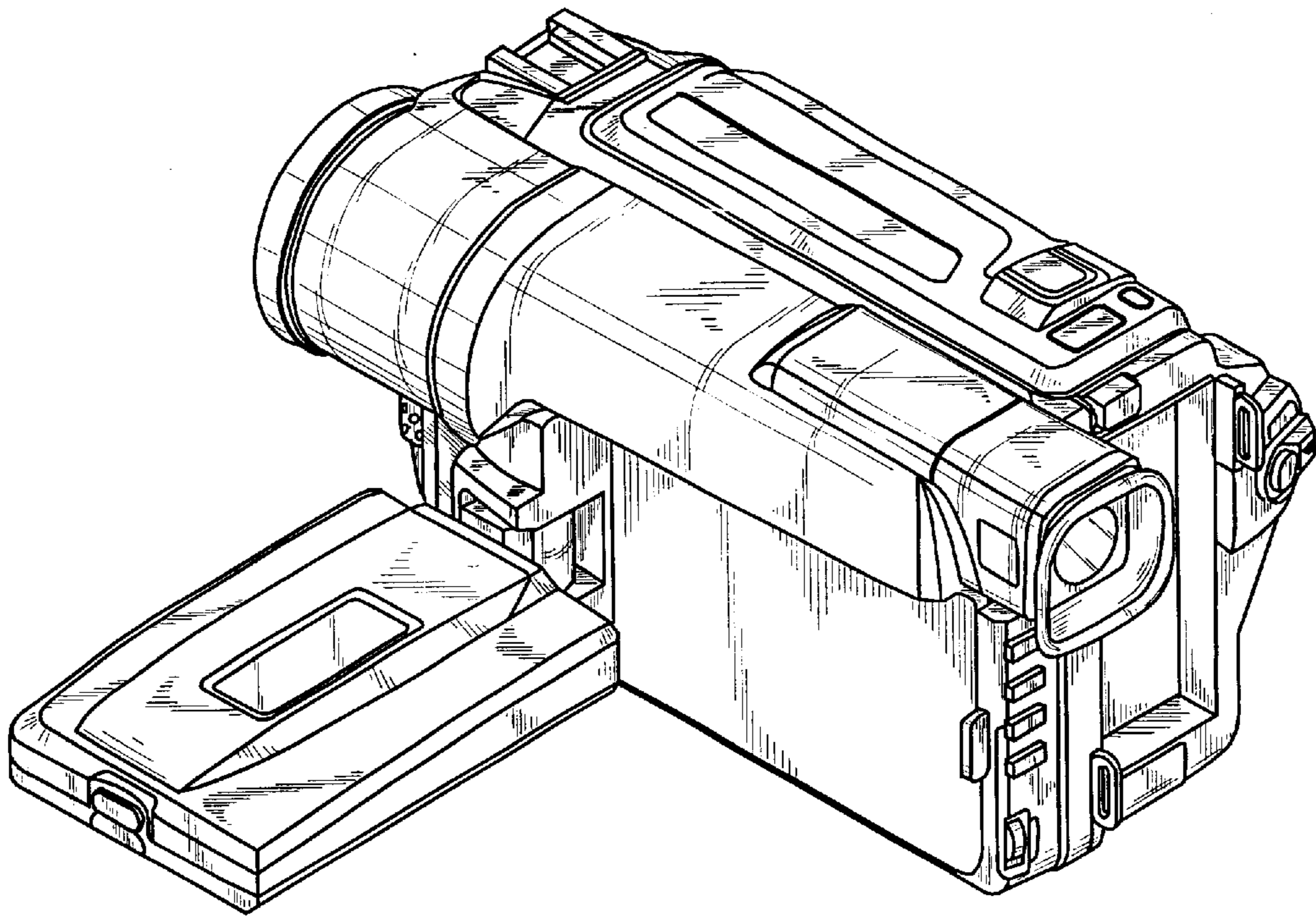


Fig. 10

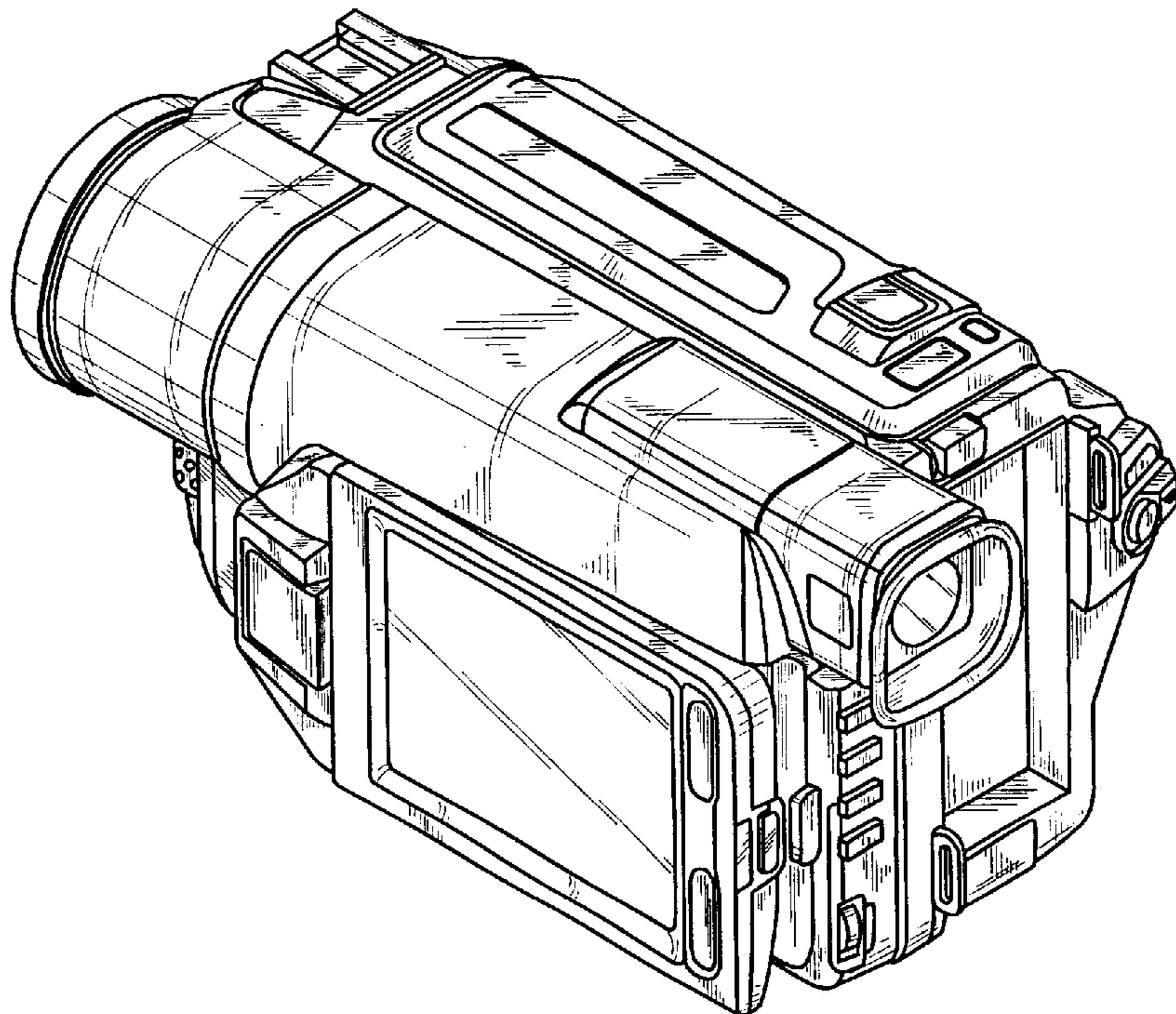


Fig. 11