



US00D443627S

(12) **United States Design Patent**
West

(10) **Patent No.:** **US D443,627 S**

(45) **Date of Patent:** **** Jun. 12, 2001**

(54) **TRACKING ROLLER**

5,449,063 9/1995 Thomas, Sr. .
5,469,958 * 11/1995 Gruettner et al. 198/834

(75) **Inventor:** **H. William West**, Cambridge, MD
(US)

FOREIGN PATENT DOCUMENTS

(73) **Assignee:** **Maryland Wire Belts, Inc.**, Church
Creek, MD (US)

62-259916 11/1987 (JP) .
977311 11/1982 (RU) .

(**) **Term:** **14 Years**

* cited by examiner

(21) **Appl. No.:** **29/127,859**

Primary Examiner—Antoine Duval Davis
(74) *Attorney, Agent, or Firm*—Burns, Doane, Swecker &
Mathis, L.L.P.

(22) **Filed:** **Aug. 15, 2000**

(57) **CLAIM**

(51) **LOC (7) Cl.** **15-09**

(52) **U.S. Cl.** **D15/148; D15/143**

(58) **Field of Search** D15/148, 149,
D15/143; 198/834, 835; 74/594.1, 594.2,
606 R, 820

The ornamental design for a tracking roller, as shown and
described.

DESCRIPTION

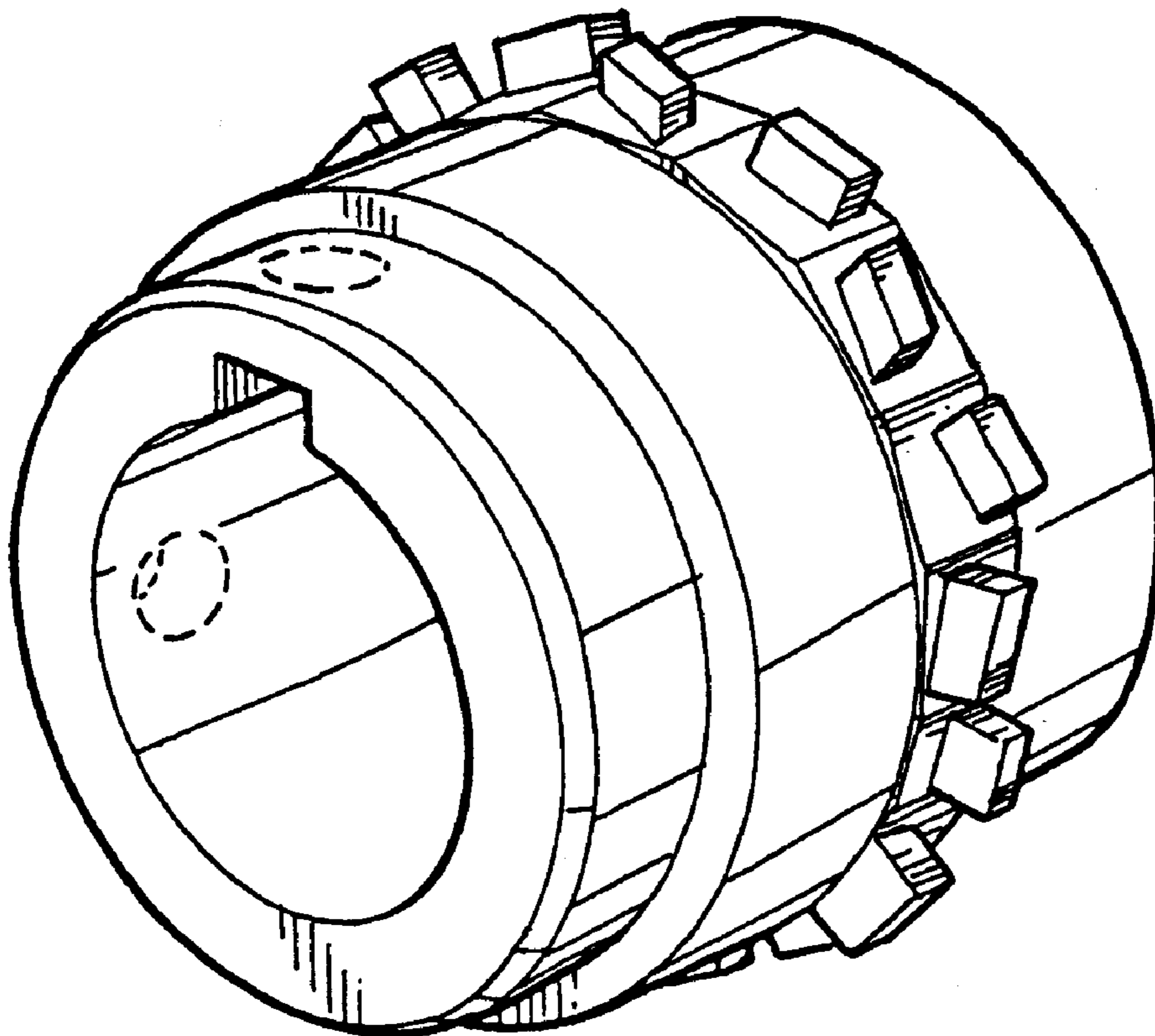
(56) **References Cited**

U.S. PATENT DOCUMENTS

D. 402,996	*	12/1998	Watanabe	D15/148 X
685,680		10/1901	Galloway et al.	.	
2,391,178		12/1945	McKnight	.	
3,050,178		8/1962	Stone	.	
3,430,506		3/1969	Stone	.	
3,972,414		8/1976	Conrad	.	
4,592,463		6/1986	Puskar	.	
5,064,045		11/1991	Leon	.	
5,213,202		5/1993	Arnold	.	

FIG. 1 is a front, top perspective view of a tracking roller
showing my new design;
FIG. 2 is a front elevational view thereof;
FIG. 3 is a side elevational view thereof;
FIG. 4 is a rear elevational view thereof;
FIG. 5 is a side elevational view of the other side thereof;
FIG. 6 is a top plan view thereof; and,
FIG. 7 is a bottom plan view thereof.
The broken line showing of the holes on the tracking roller
is for illustrative purposes only and forms no part of the
claimed design.

1 Claim, 2 Drawing Sheets



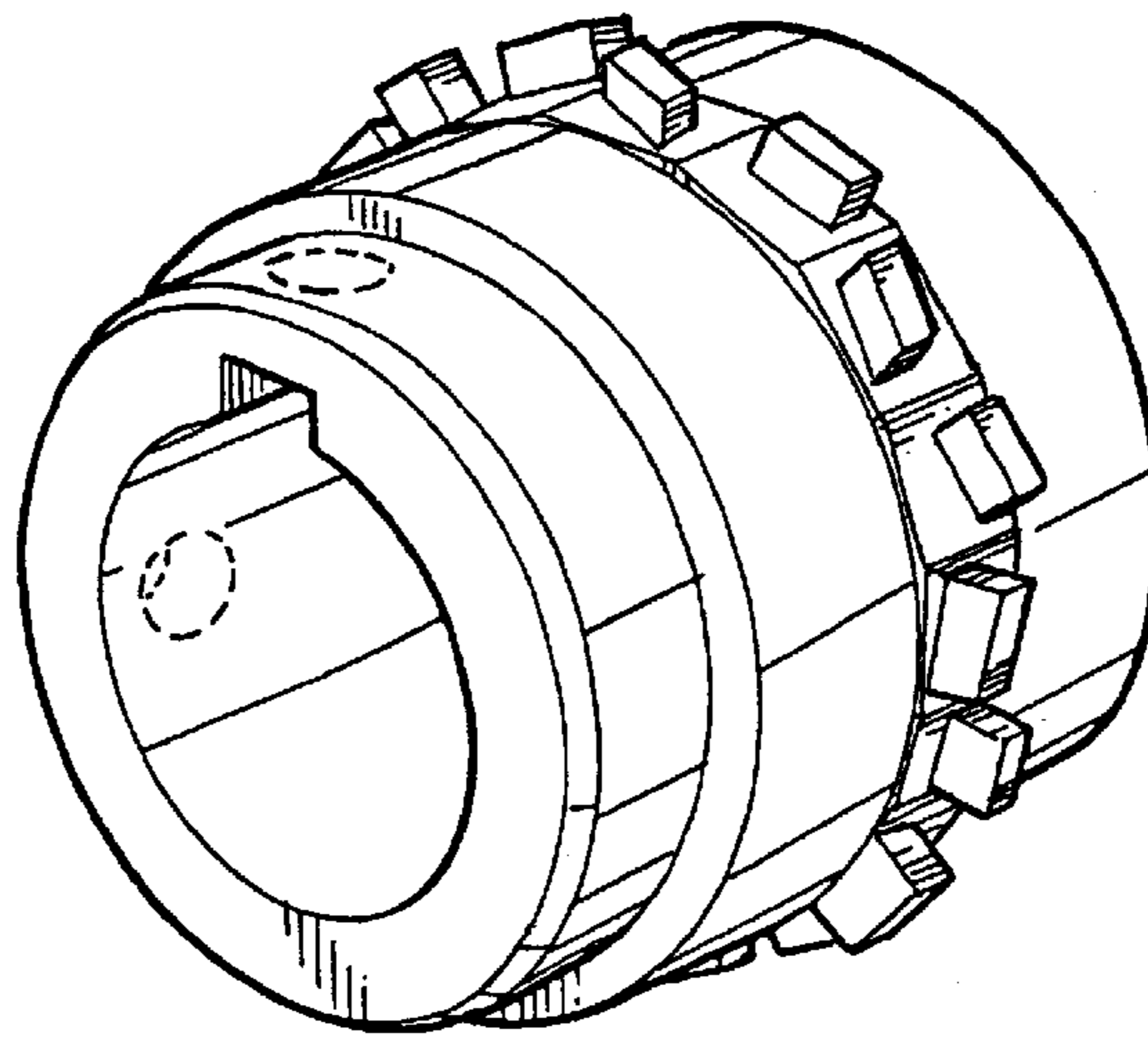


FIG. 1

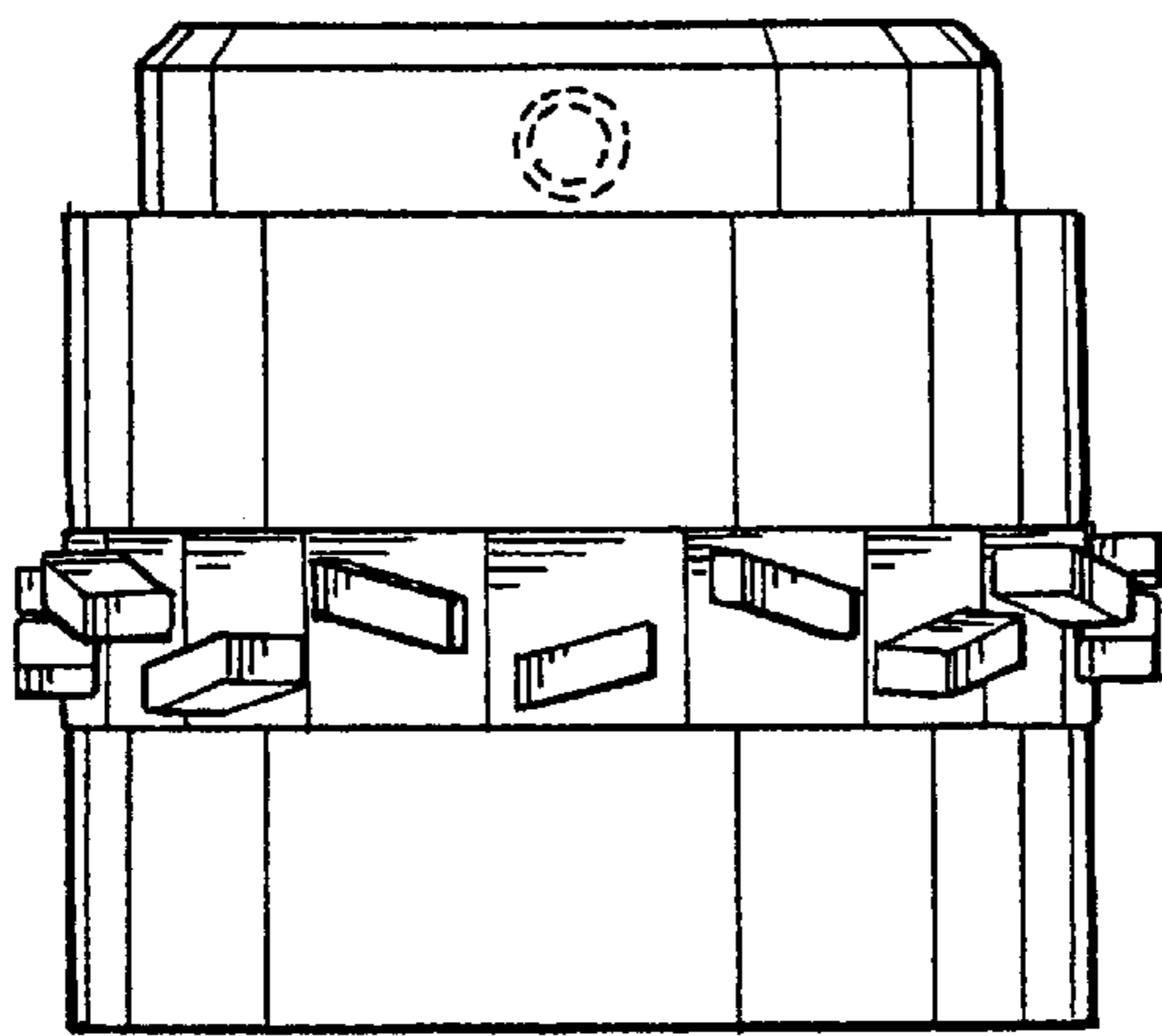


FIG. 2

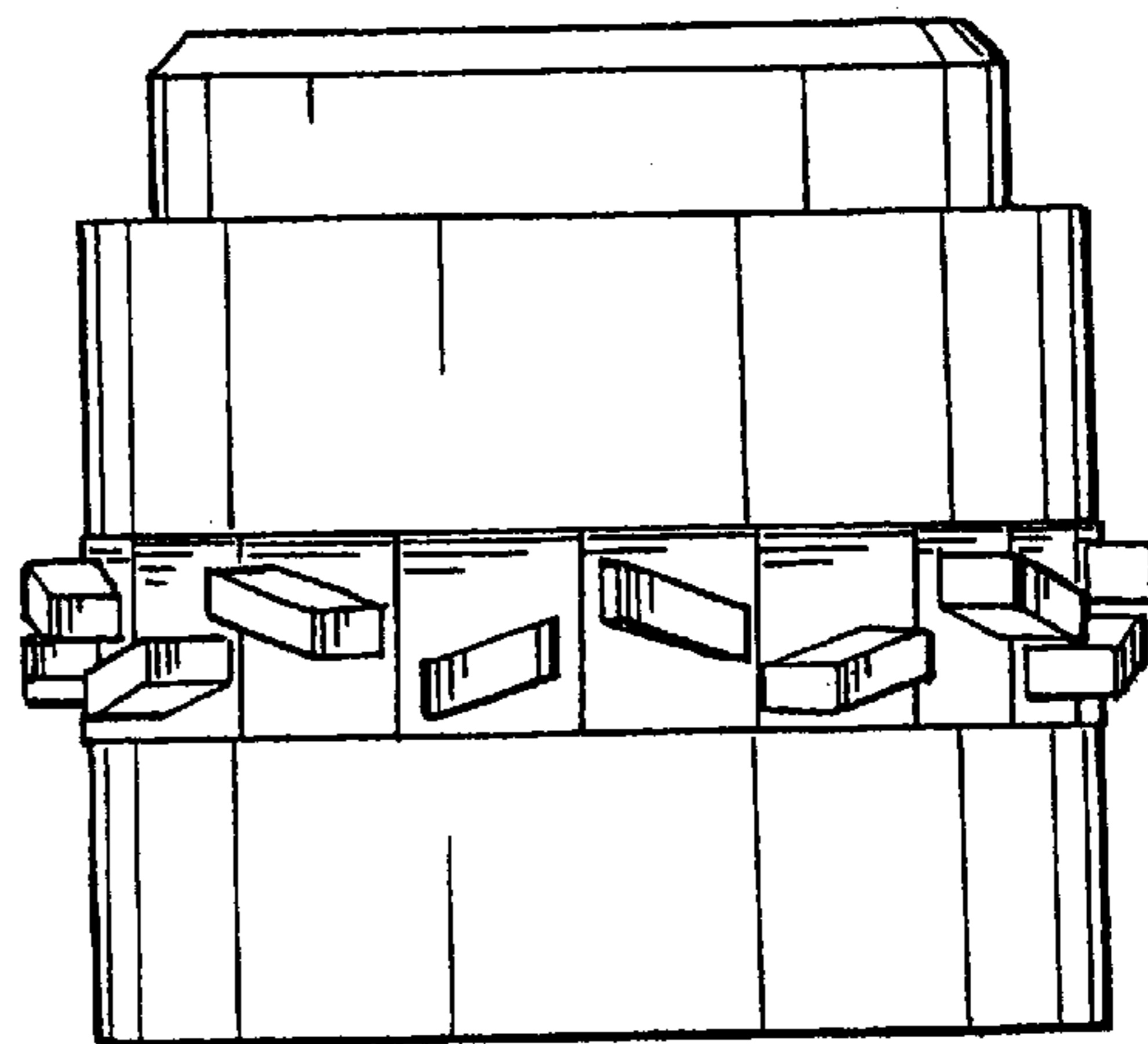


FIG. 3

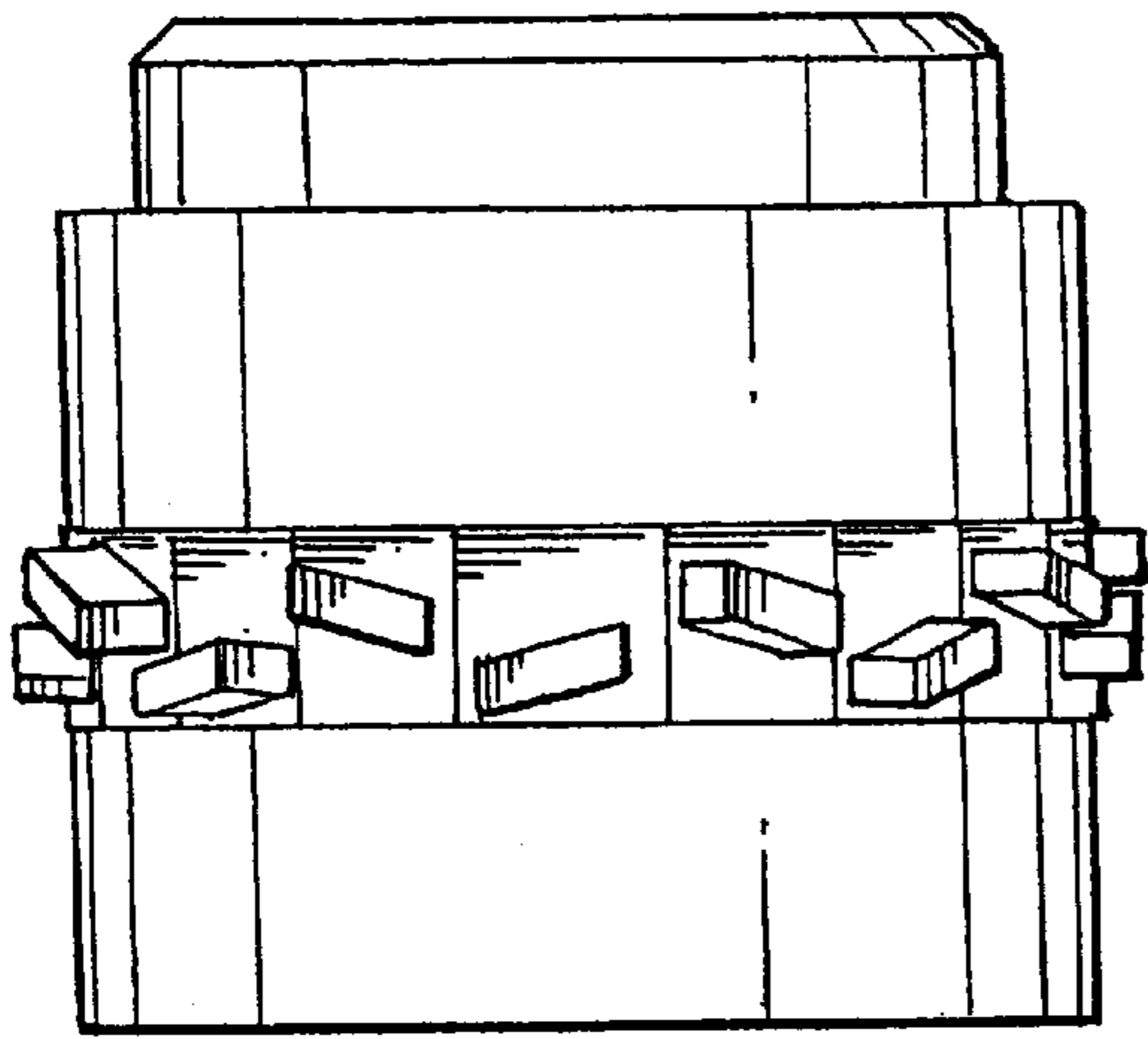


FIG. 4

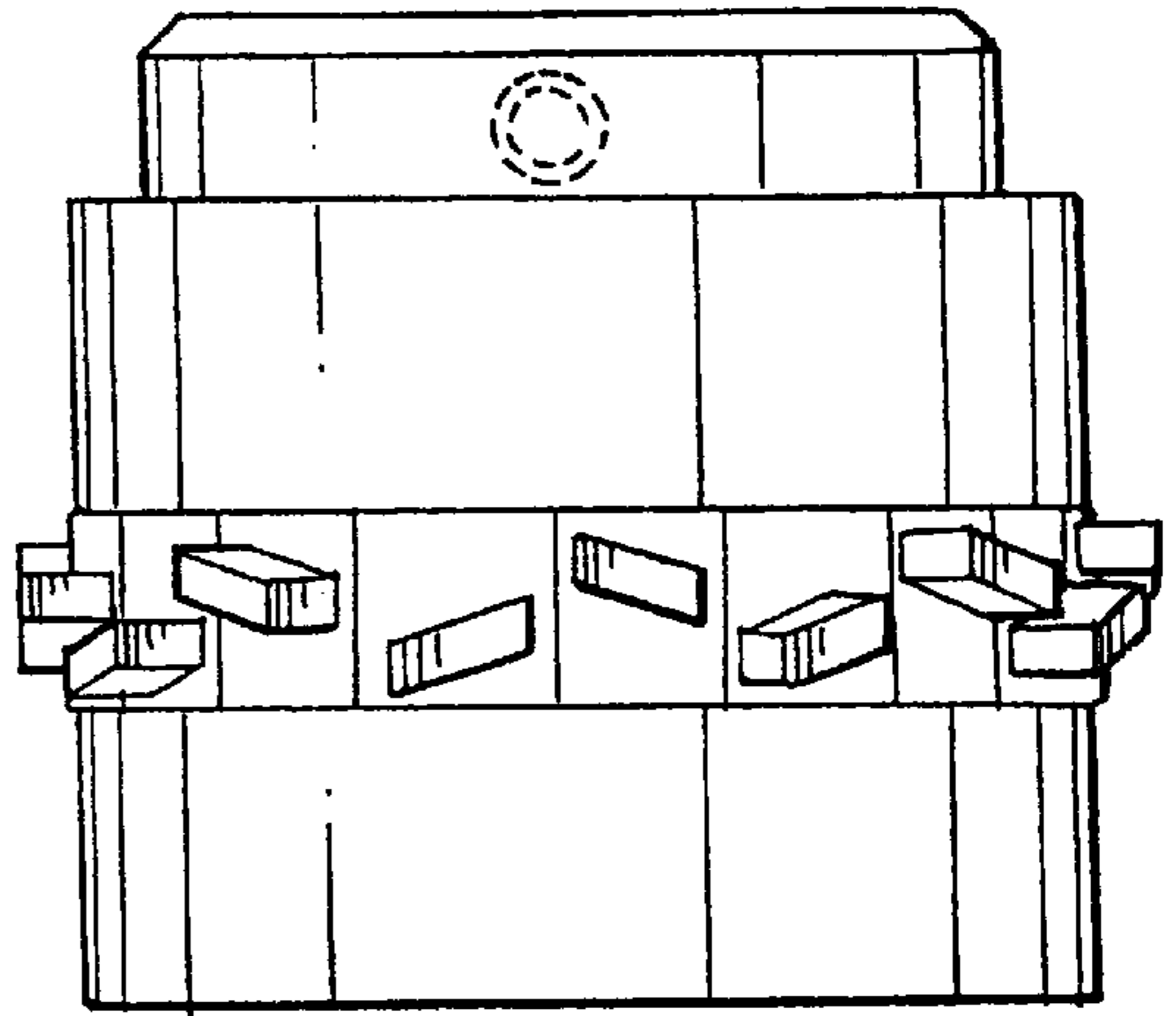


FIG. 5

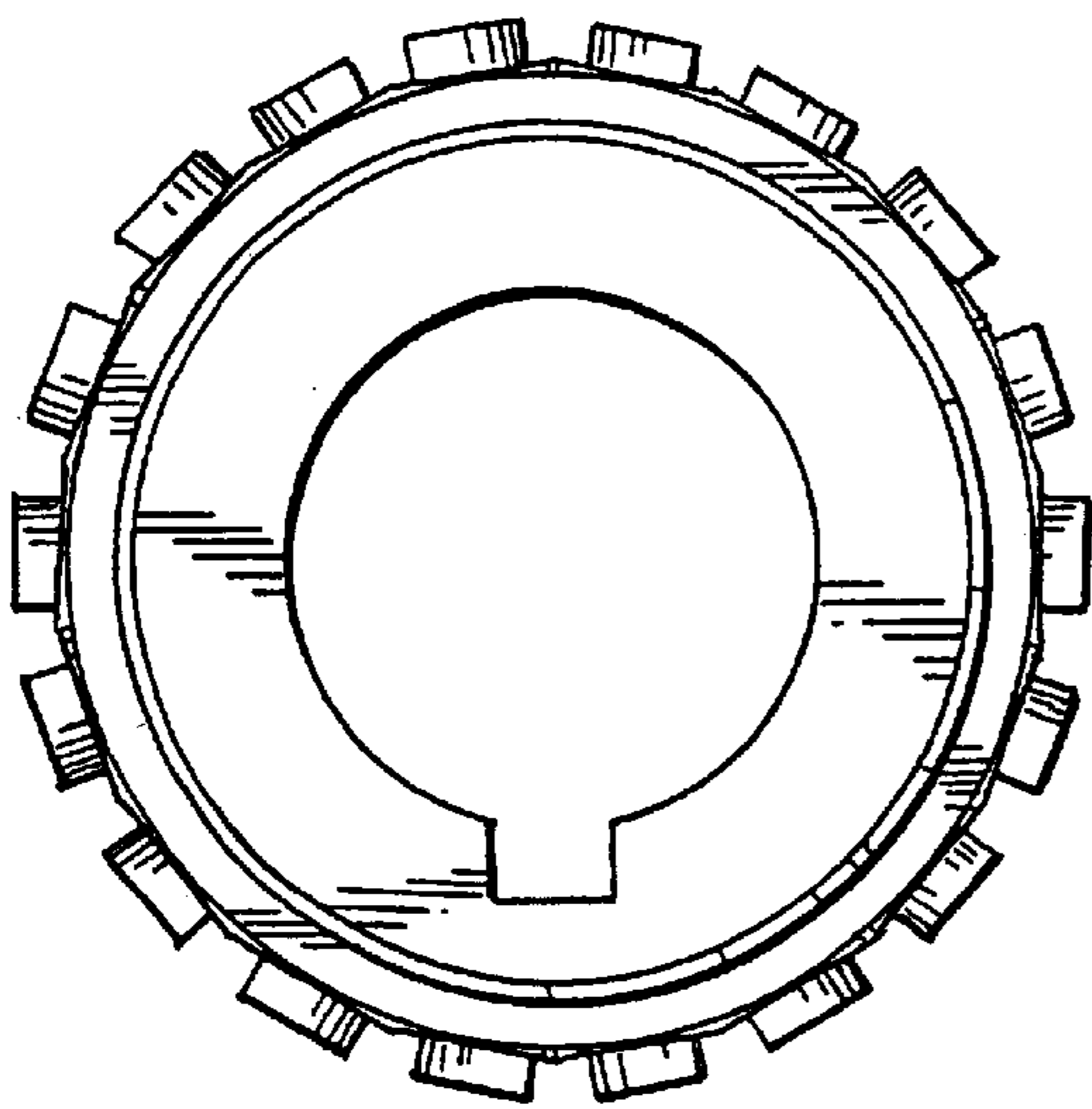


FIG. 6

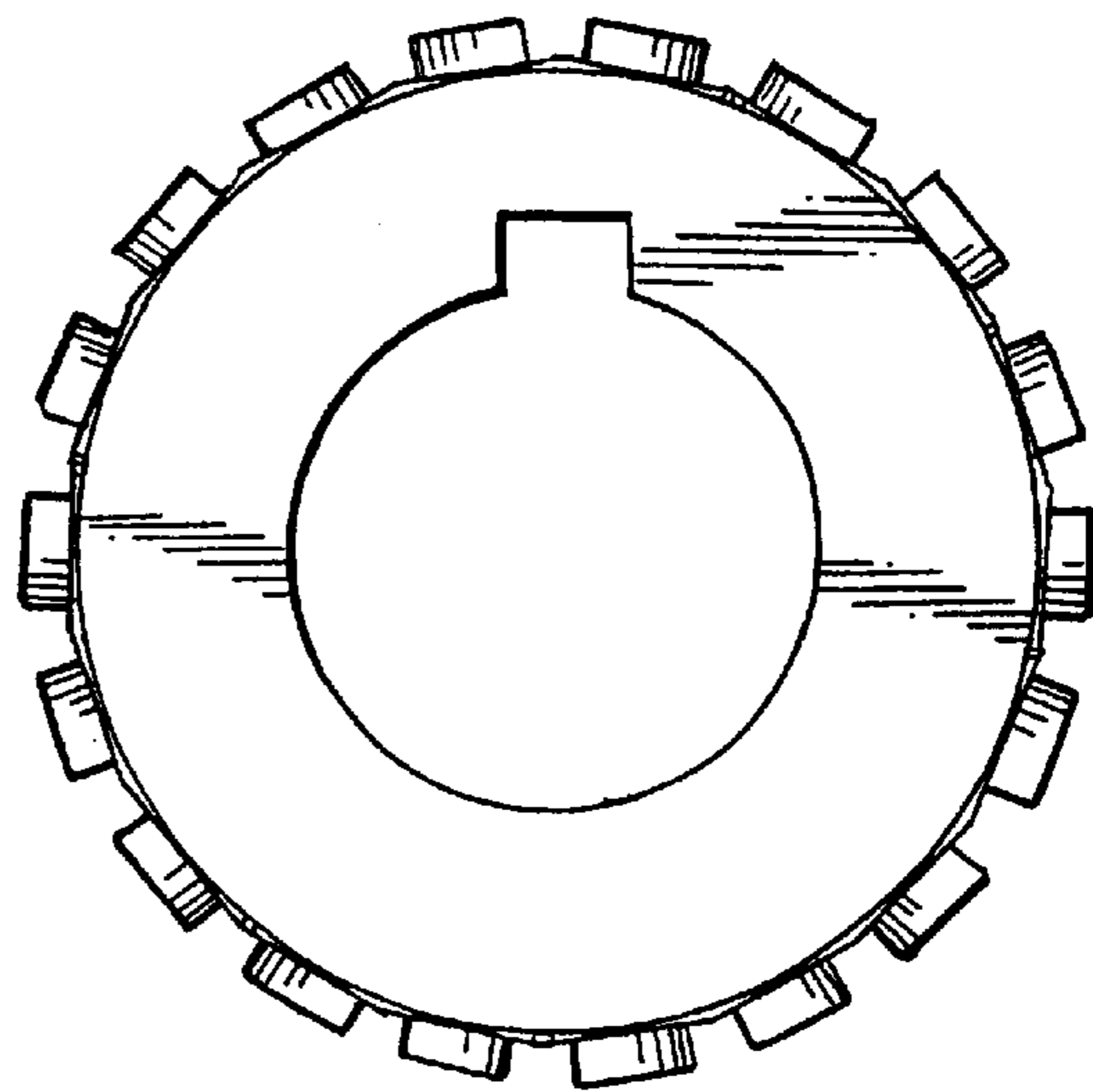


FIG. 7