



US00D443626S

(12) **United States Design Patent**  
**Martin**

(10) **Patent No.:** **US D443,626 S**

(45) **Date of Patent:** **\*\* Jun. 12, 2001**

(54) **MAGNETIC CHUCK**

(75) Inventor: **Joseph Marion Martin**, Monroe, NC (US)

(73) Assignee: **McCoy-Ellison, Inc.**, Monroe, NC (US)

(\*\*) Term: **14 Years**

(21) Appl. No.: **29/114,344**

(22) Filed: **Nov. 19, 1999**

(51) **LOC (7) Cl.** ..... **15-09**

(52) **U.S. Cl.** ..... **D15/138**

(58) **Field of Search** ..... D15/66, 72, 78,  
D15/138; 242/197, 422.8; 294/81.2, 86.41;  
335/295, 306

(56) **References Cited**

**U.S. PATENT DOCUMENTS**

D. 325,390	*	4/1992	Chang	.....	D15/138
D. 399,855	*	10/1998	Ito	.....	D15/133
969,529		9/1910	Donnelly	.	
1,506,890		9/1924	Duncan	.	
2,034,862		3/1936	Dunham	.....	242/75
2,400,062	*	5/1946	Barrett	.....	335/295
3,134,556		5/1964	Wasson	.....	242/96

3,224,702		12/1965	Jones et al.	.....	242/68.4
3,608,589	*	9/1971	Taylor	.....	139/259
4,379,277	*	4/1983	Brailon	.....	335/295
4,458,857		7/1984	Moore et al.	.....	242/197
4,591,879	*	5/1986	Yokota et al.	.....	242/422.8
4,929,012		5/1990	Slezak	.....	294/86.41
5,024,477		6/1991	Slezak	.....	294/81.2
5,163,727		11/1992	Slezak et al.	.....	294/81.2

\* cited by examiner

*Primary Examiner*—Sandra L. Morris

(74) *Attorney, Agent, or Firm*—Kennedy Covington Lobbell & Hickman, LLP

(57) **CLAIM**

The ornamental design for a magnetic chuck, as shown.

**DESCRIPTION**

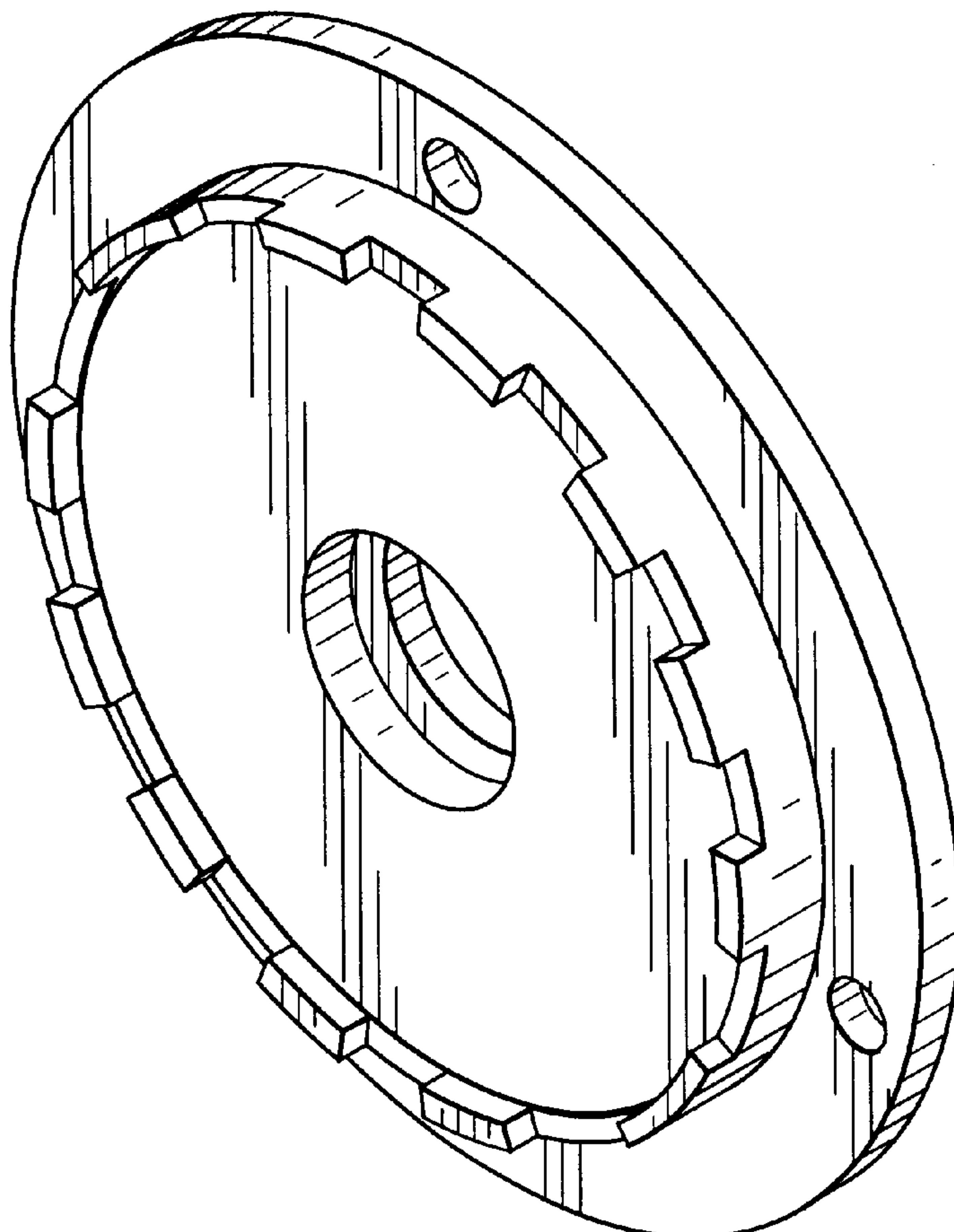
FIG. 1 is a perspective view of the design for a magnetic chuck of the present invention;

FIG. 2 is a side elevational view of the magnetic chuck of FIG. 1;

FIG. 3 is a top plan view of the magnetic chuck of FIG. 2; and,

FIG. 4 is a bottom plan view of the magnetic chuck of FIG. 2.

**1 Claim, 2 Drawing Sheets**



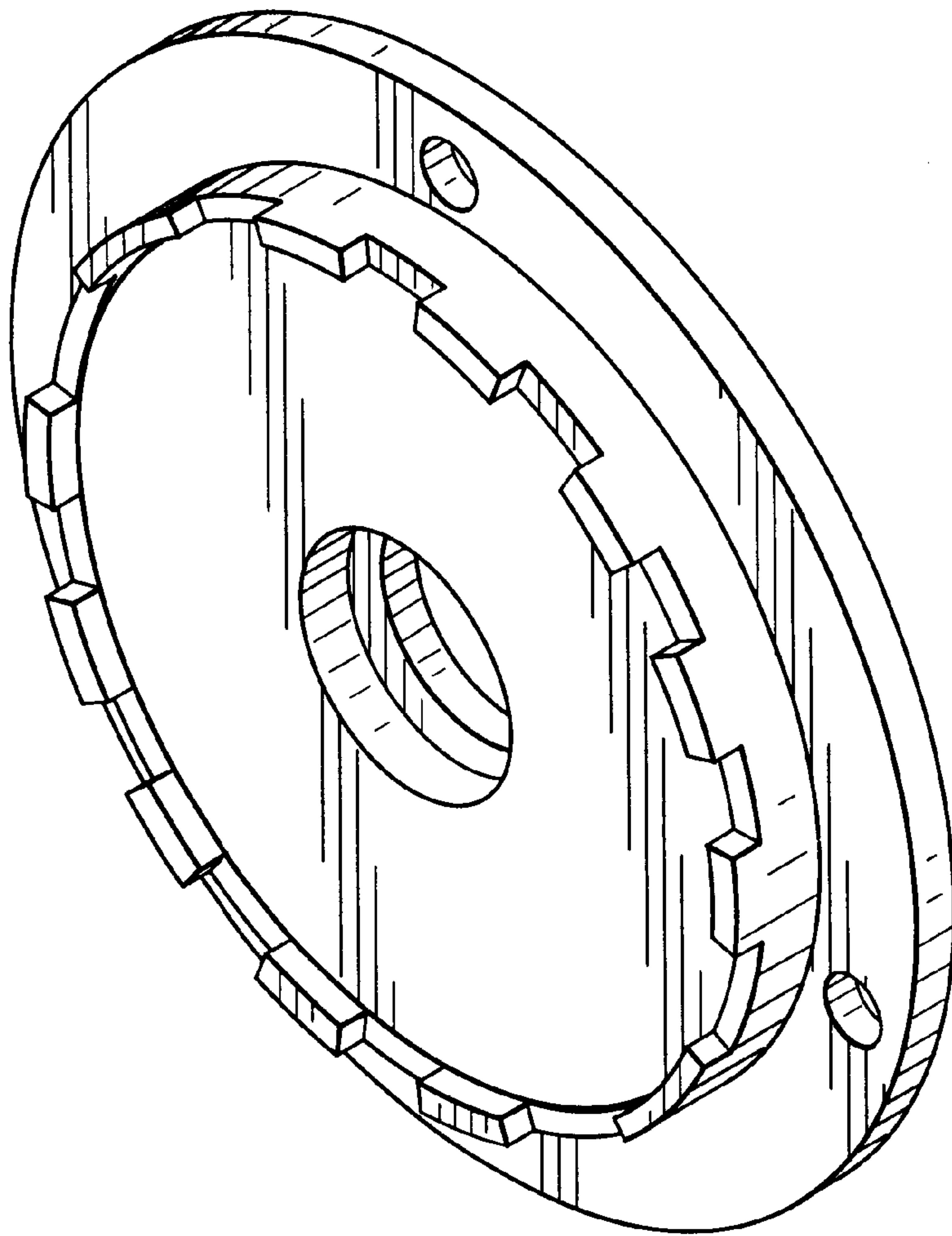


FIG. 1.

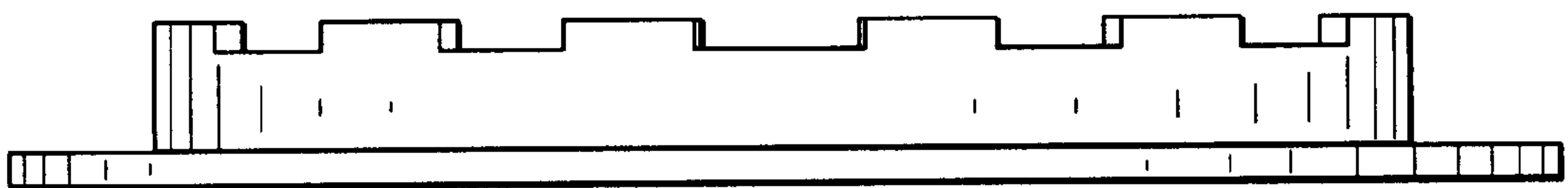


FIG. 2.

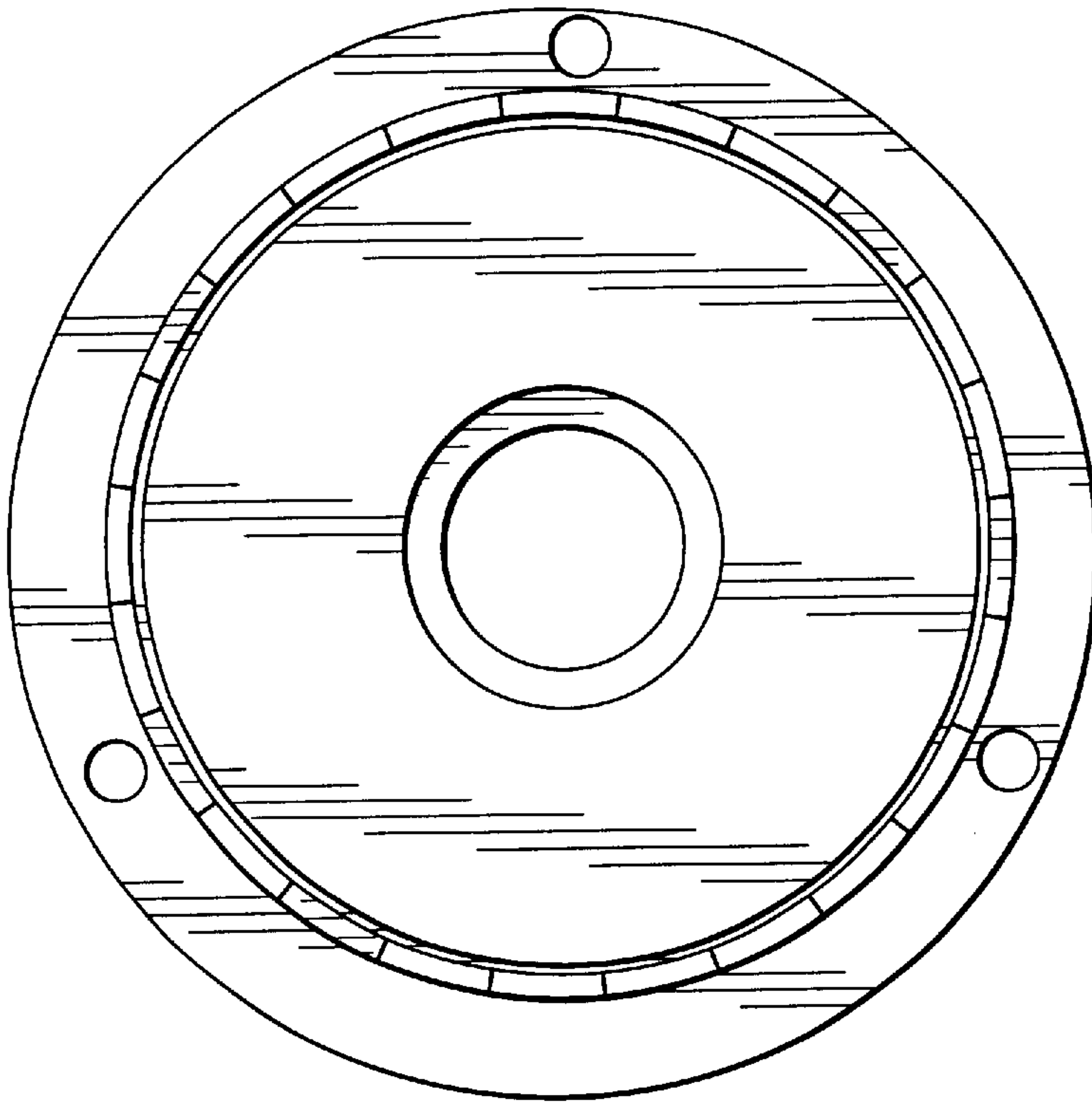


FIG. 3.

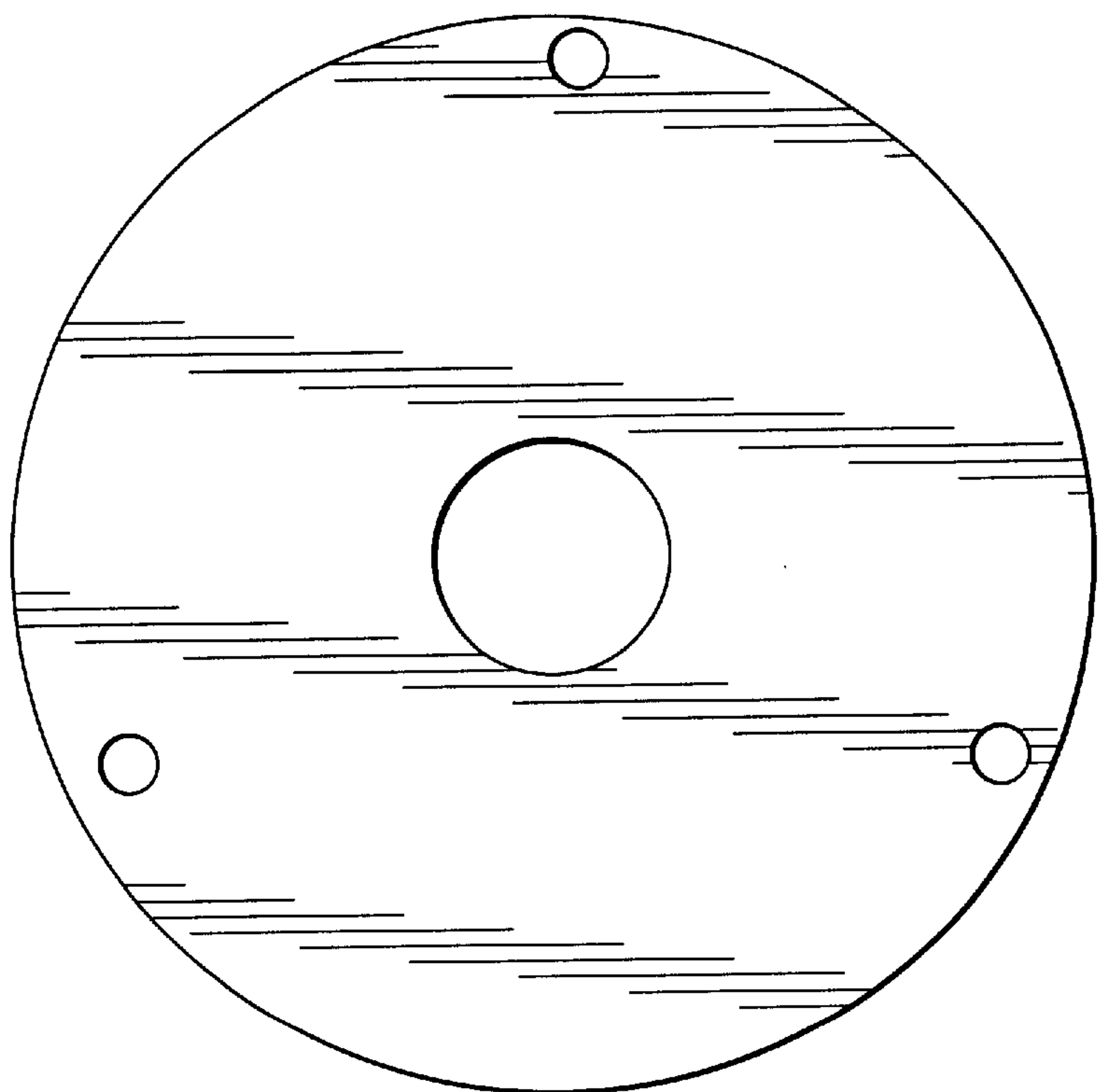


FIG. 4.