



US00D443625S

(12) **United States Design Patent**  
**Vazquez**

(10) **Patent No.:** **US D443,625 S**

(45) **Date of Patent:** **\*\* Jun. 12, 2001**

(54) **REFRIGERATED SANDWICH COUNTER AND CASE**

1,697,284 \* 1/1929 Summers ..... D15/84  
6,000,236 \* 12/1999 Haasis ..... 62/440

(76) Inventor: **Alfredo Vazquez**, 851 W. 32 St.,  
Hialeah, FL (US) 33012

\* cited by examiner

*Primary Examiner*—Sandra L. Morris

(\*\*) Term: **14 Years**

(74) *Attorney, Agent, or Firm*—J. Sanchelima

(21) Appl. No.: **29/115,669**

(57) **CLAIM**

(22) Filed: **Dec. 17, 1999**

The ornamental design for a refrigerated sandwich counter and case, as shown and described.

(51) **LOC (7) Cl.** ..... **15-07**

**DESCRIPTION**

(52) **U.S. Cl.** ..... **D15/86**

(58) **Field of Search** ..... D15/79, 81, 83-87;  
D6/470-472; D20/4, 5; 62/246, 248, 251,  
275, 440, 441, 449; 312/116, 138.1, 401,  
402, 404, 405, 405.1

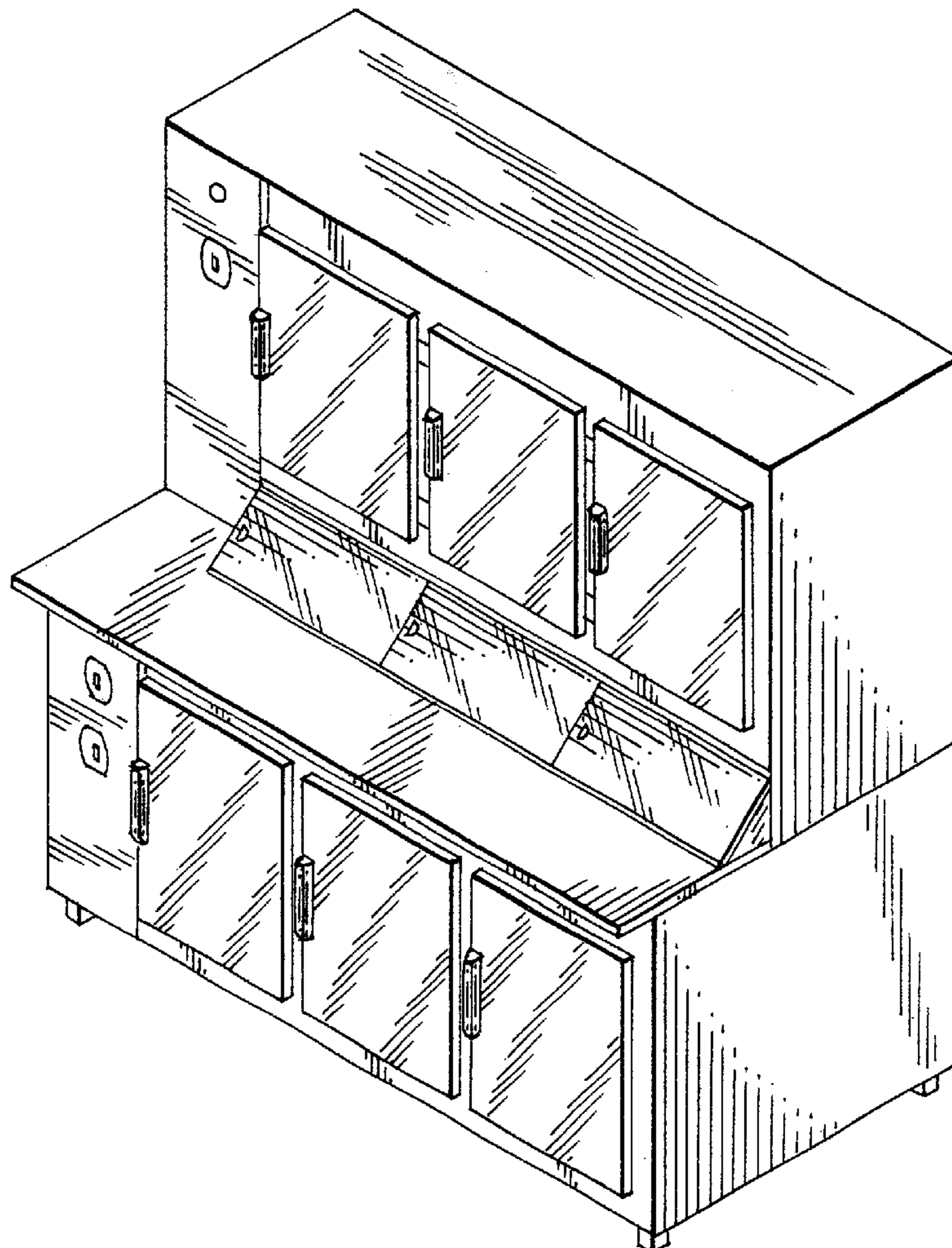
FIG. 1 is a top plan view of a refrigerated sandwich counter and case showing my new design;  
FIG. 2 is a front elevational view thereof;  
FIG. 3 is a bottom plan view thereof;  
FIG. 4 is a right side elevational view thereof;  
FIG. 5 is a rear elevational view thereof;  
FIG. 6 is a left side elevational view thereof;  
FIG. 7 is a front isometric view of my design; and,  
FIG. 8 is a rear isometric view of my design.

(56) **References Cited**

**U.S. PATENT DOCUMENTS**

D. 61,864 \* 1/1923 Rolsky ..... D15/86  
D. 92,122 \* 4/1934 Weiss ..... D15/86

**1 Claim, 3 Drawing Sheets**



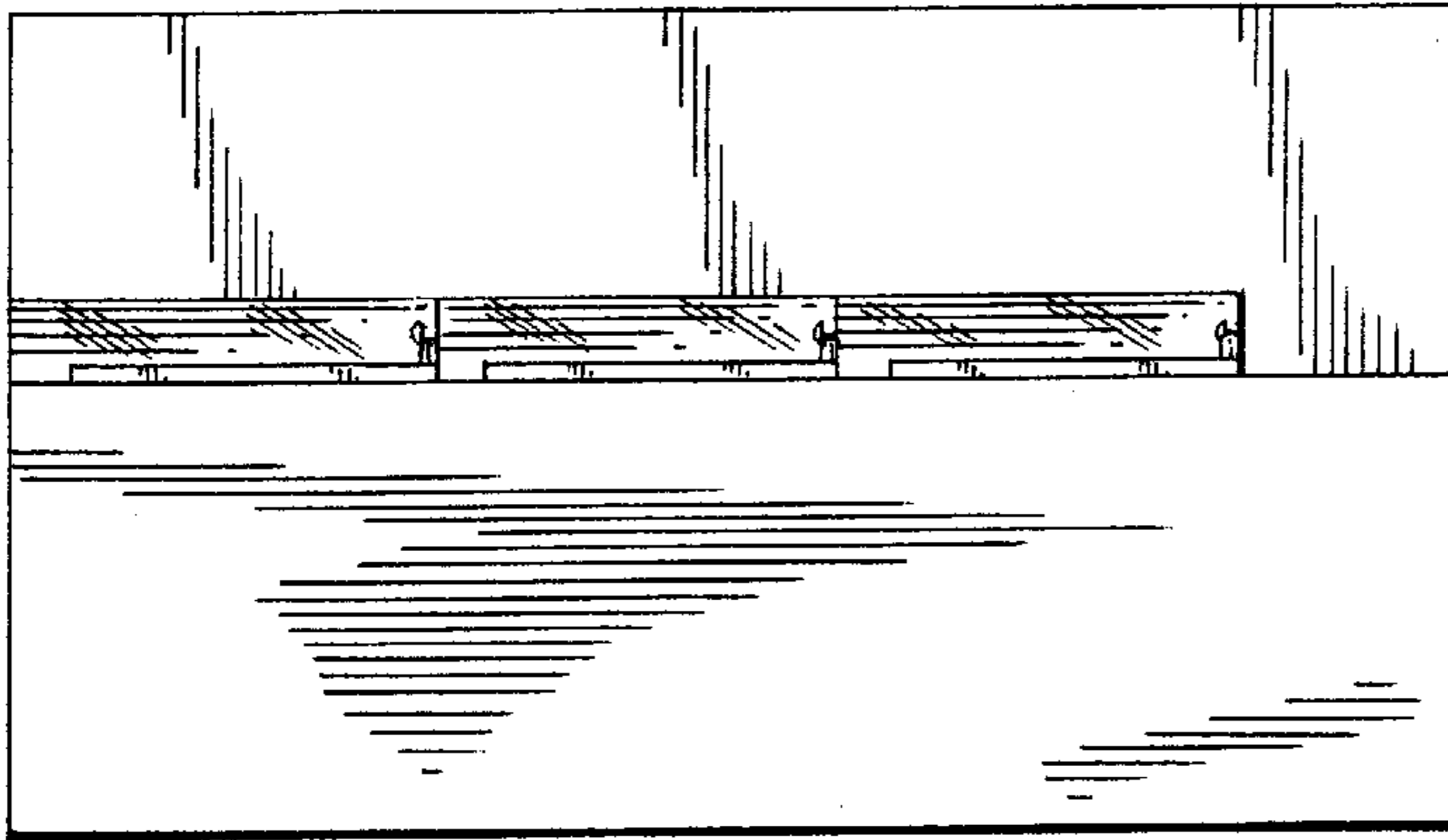


FIG. 1.

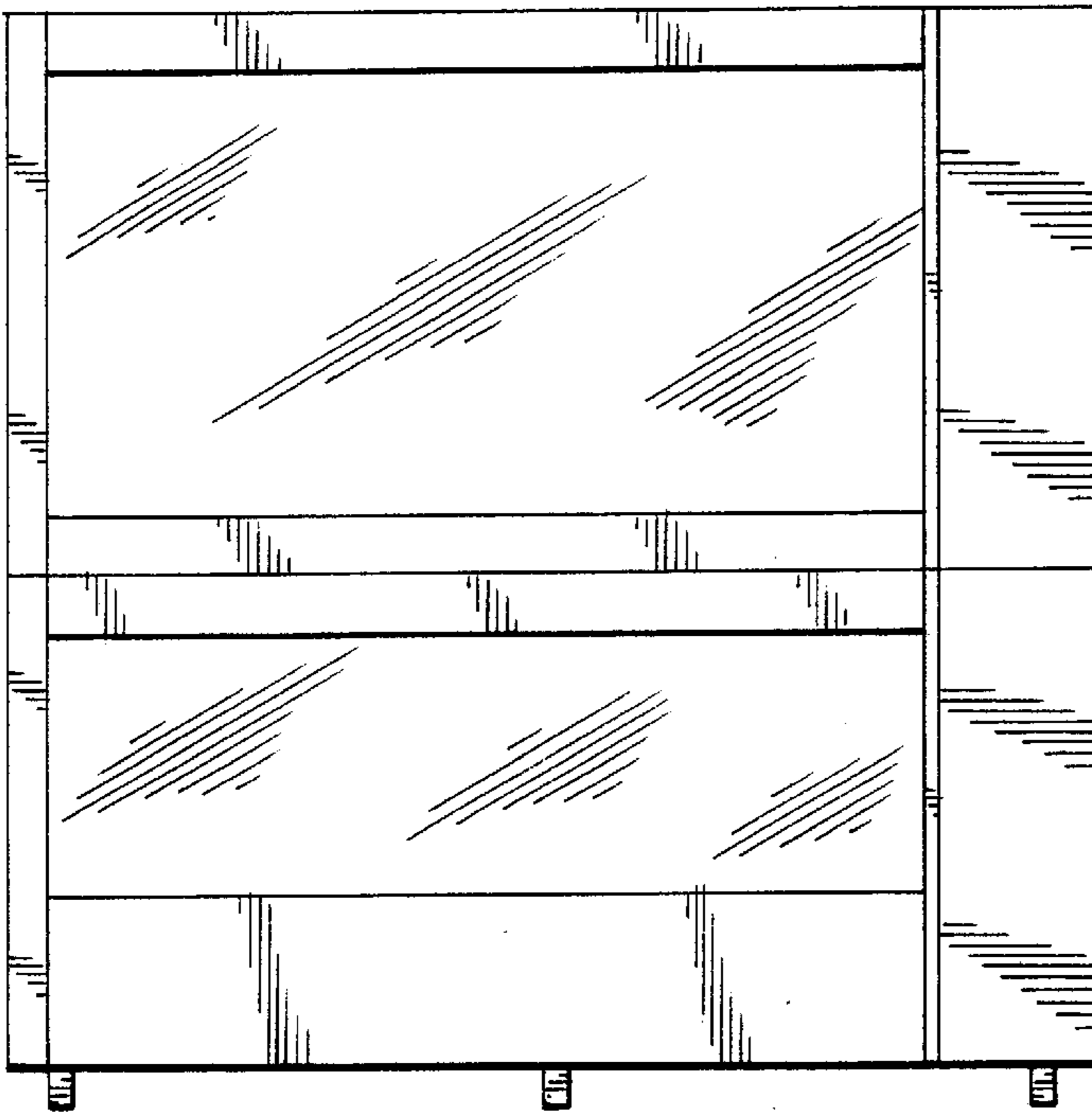


FIG. 2.

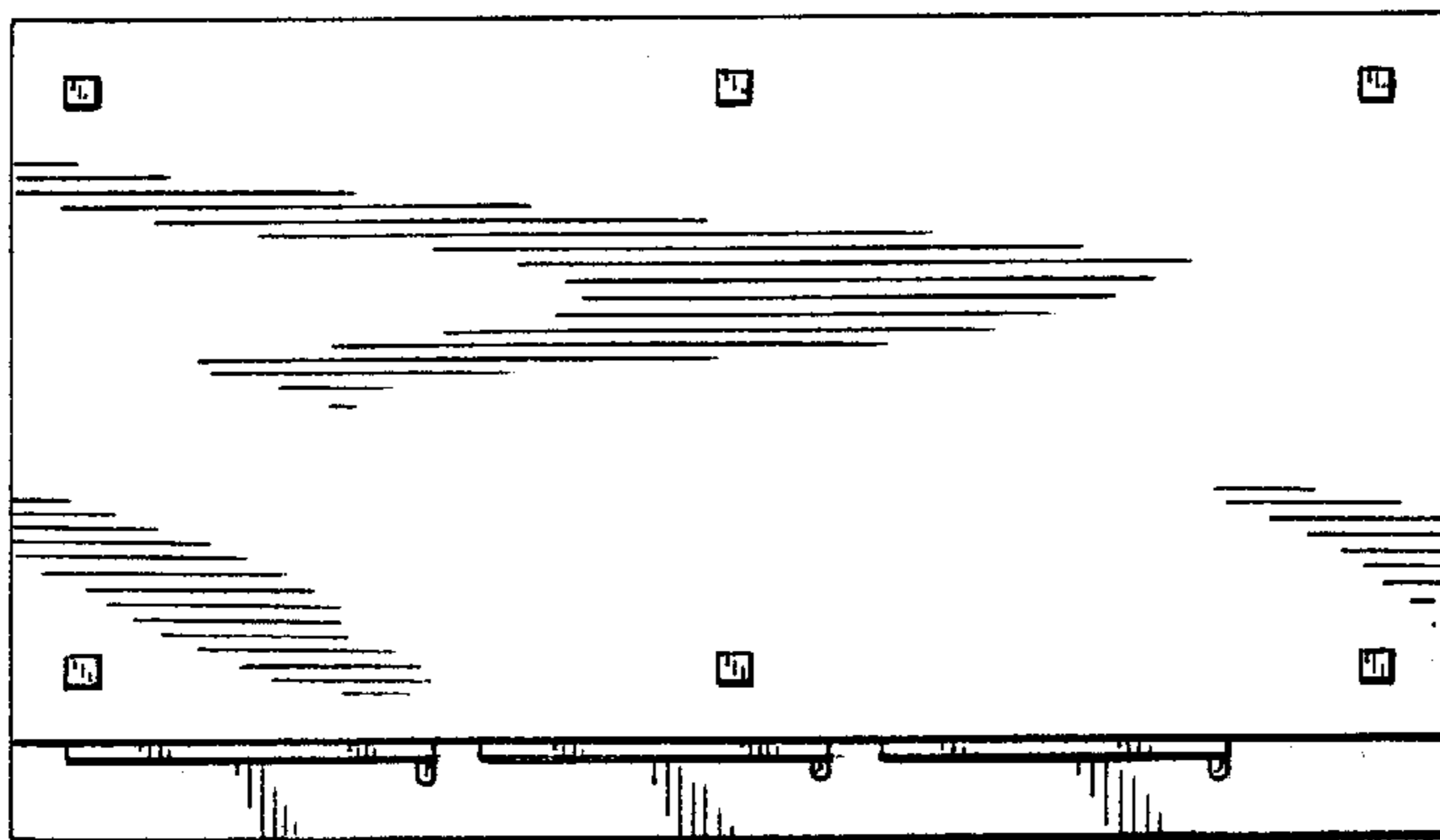


FIG. 3.

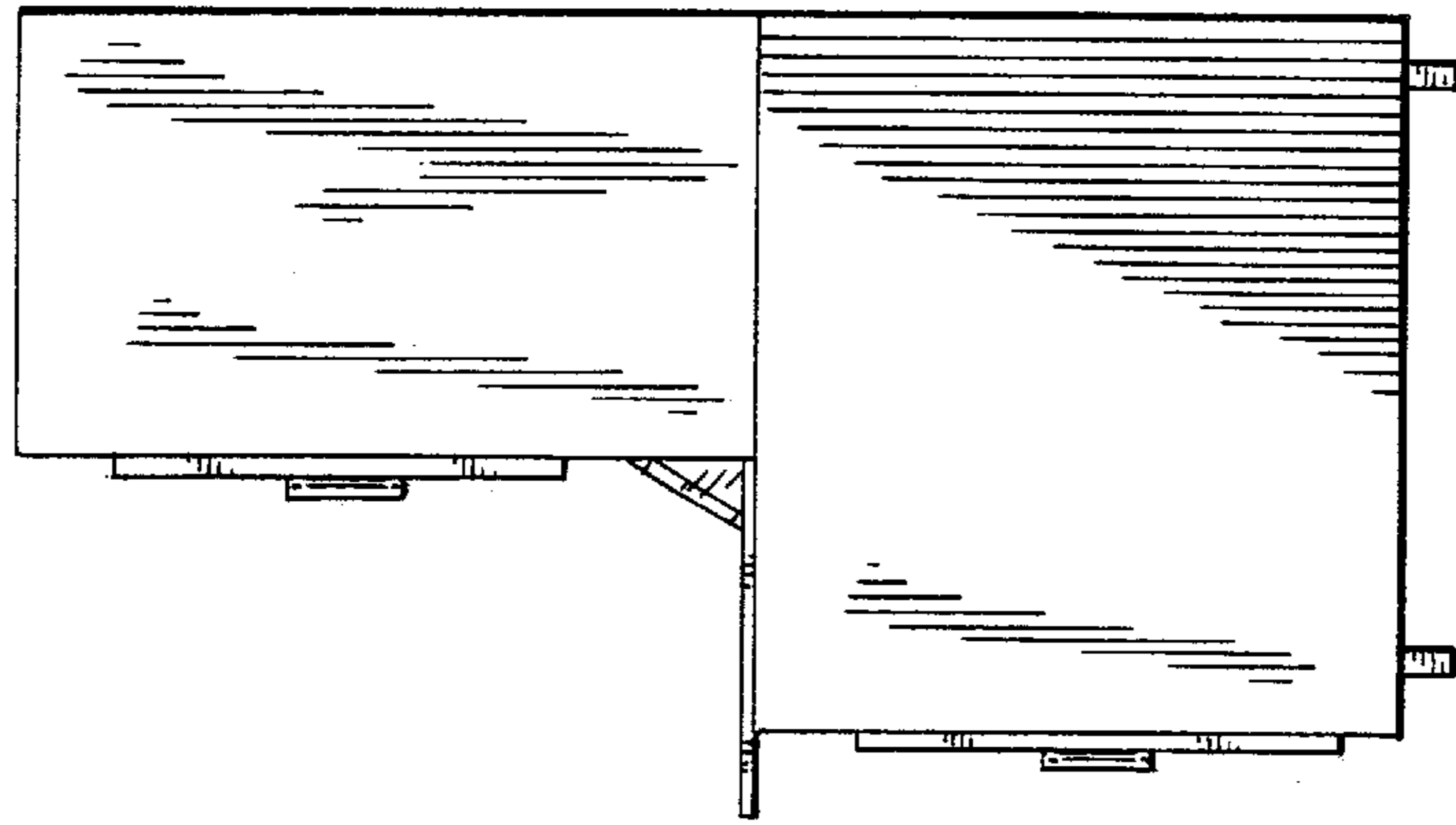


FIG. 6.

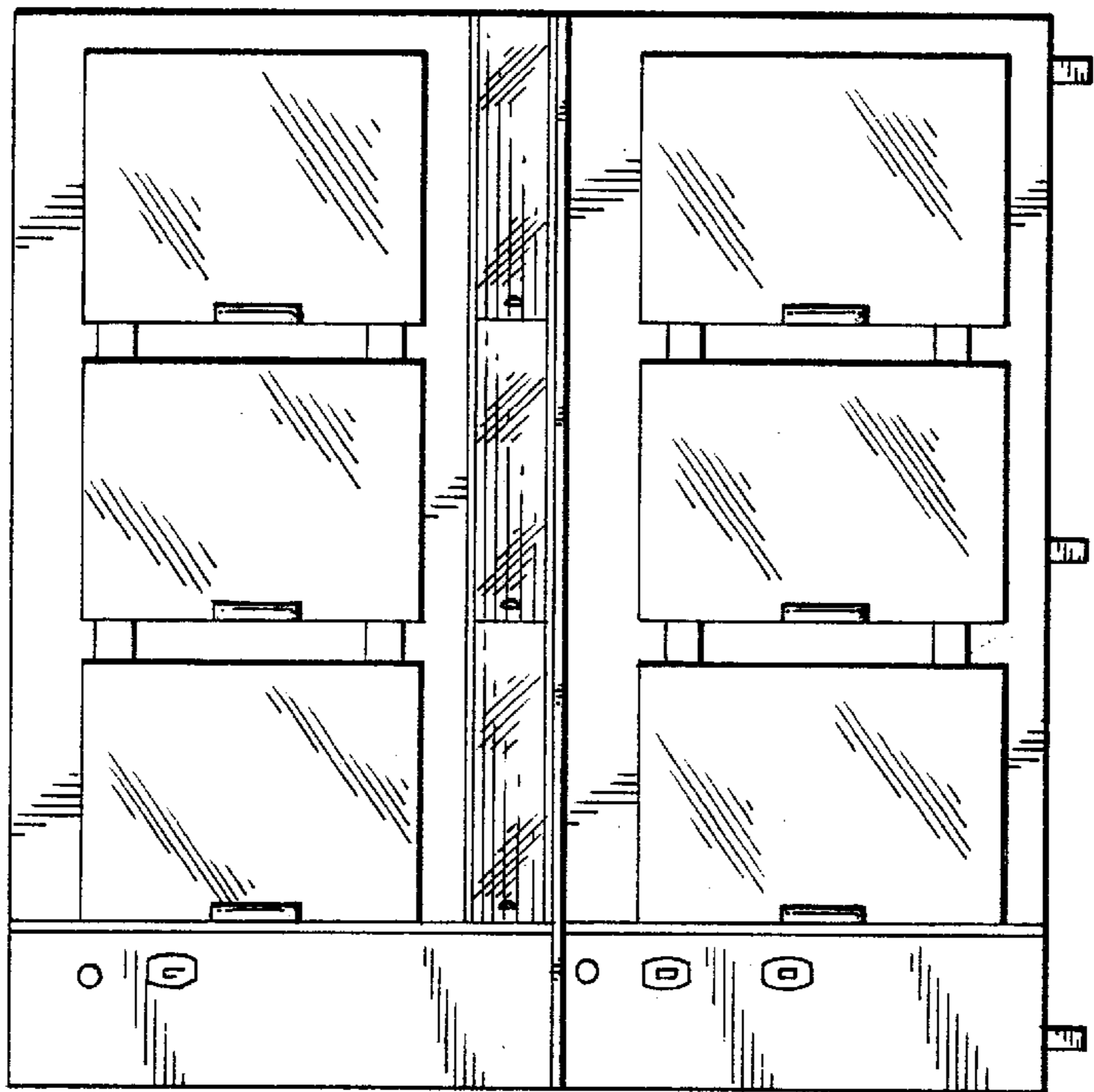


FIG. 5.

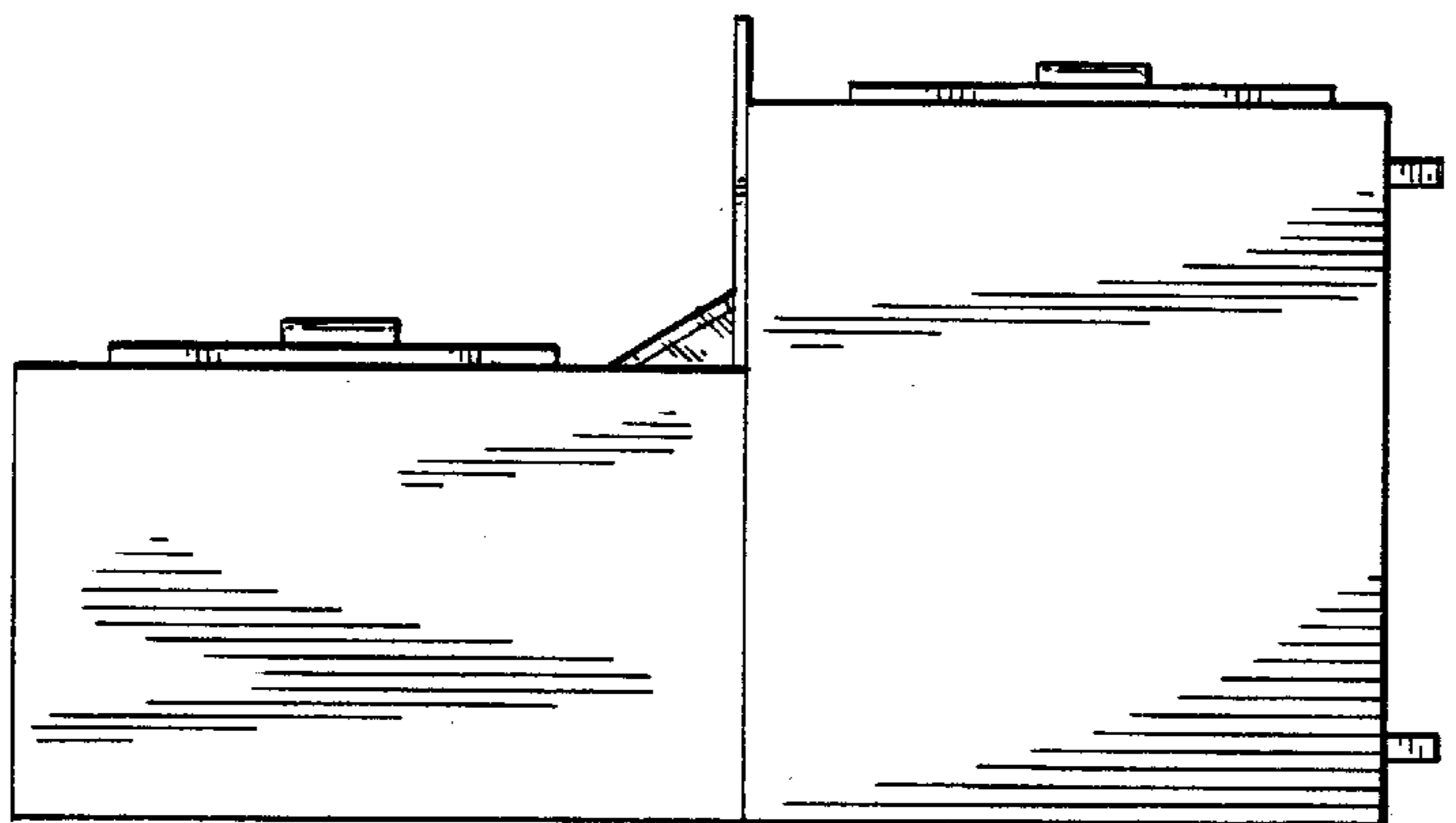


FIG. 4.

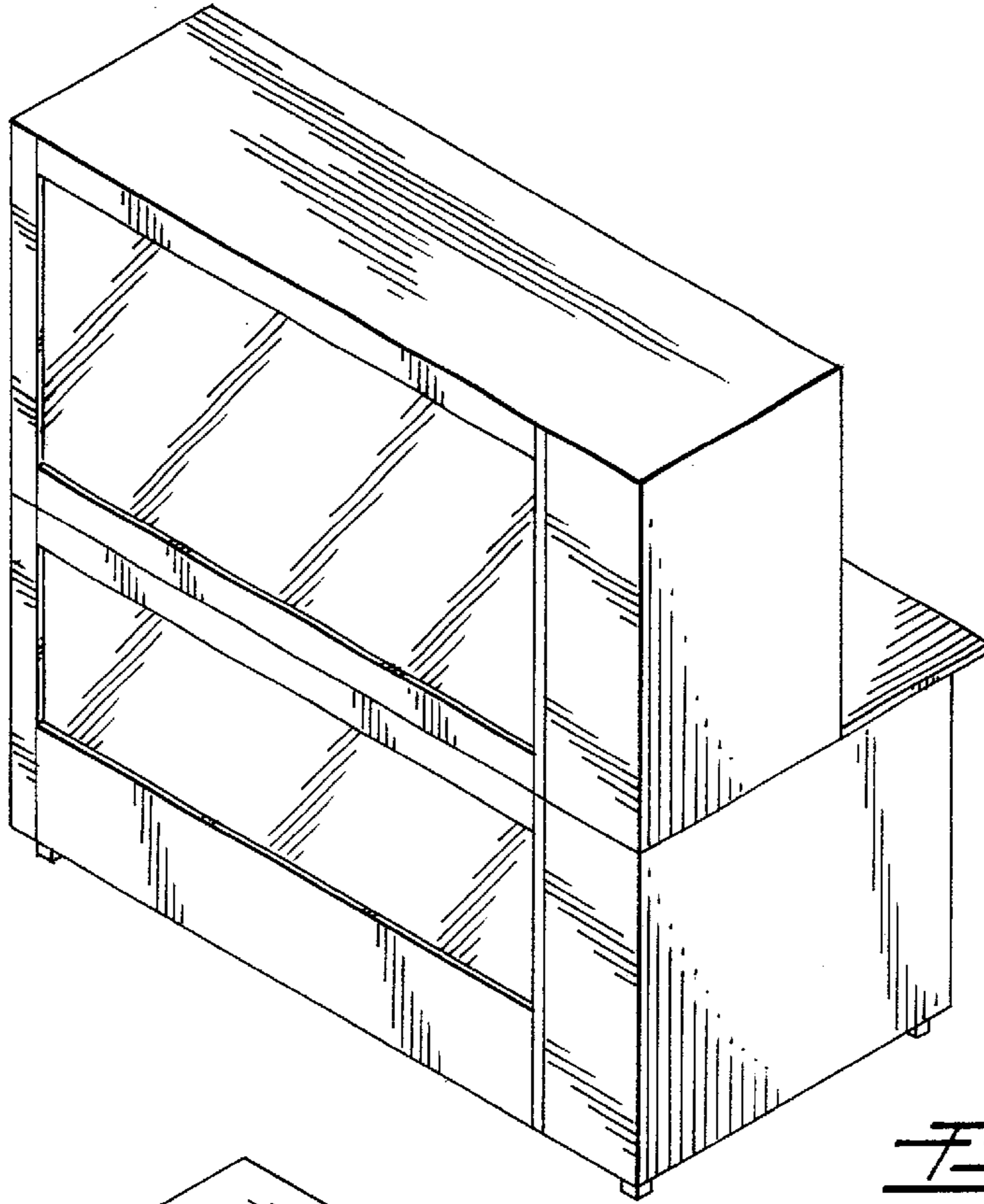


FIG. 7.

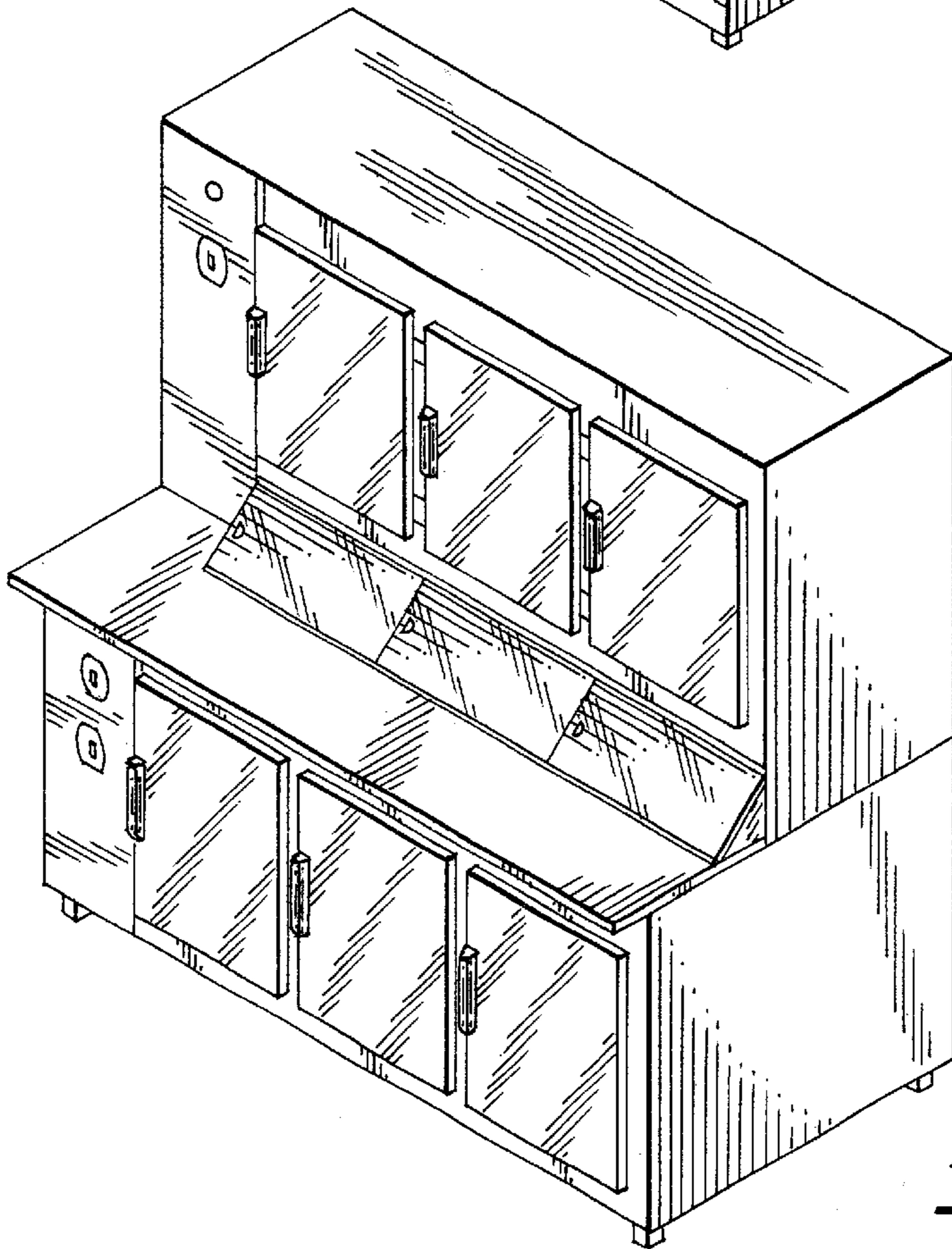


FIG. 8.