



US00D443624S

(12) **United States Design Patent** (10) **Patent No.:** **US D443,624 S**
Wilson et al. (45) **Date of Patent:** **** Jun. 12, 2001**

(54) **FUEL DISPENSER INTERFACE**

(75) Inventors: **Amy Wilson**, Greensboro; **Paul Miller**,
Winston Salem, both of NC (US);
Cheryl Felix, Bedford, MA (US)

(73) Assignee: **Marconi Commerce Systems Inc.**,
Greensboro, NC (US)

(**) Term: **14 Years**

(21) Appl. No.: **29/104,786**

(22) Filed: **May 12, 1999**

(51) **LOC (7) Cl.** **15-02**

(52) **U.S. Cl.** **D15/9.2**

(58) **Field of Search** D15/9.1, 9.2; 222/25,
222/27, 71, 74, 75, 383.1; 137/234.6; 364/528.17;
D25/56; D14/105; D99/43

(56) **References Cited**

U.S. PATENT DOCUMENTS

D. 244,563	5/1977	Taylor et al.	D52/2
D. 262,971	2/1982	Robinson, Jr. et al.	D15/9.2
D. 265,092	6/1982	Robinson, Jr. et al.	D15/9.2
D. 306,719	3/1990	Austin et al.	D14/105
D. 309,144	* 7/1990	Austin et al.	D15/9.2
D. 316,471	4/1991	Austin et al.	D99/43
D. 414,501	* 10/1999	Wilson et al.	D15/9.2
D. 414,781	* 10/1999	Wilson et al.	D15/9.2
D. 414,782	* 10/1999	McSpadden et al.	D15/9.2
D. 415,168	* 10/1999	Wilson et al.	D15/9.2
D. 415,169	* 10/1999	Wilson et al.	D15/9.2
D. 415,170	* 10/1999	Wilson et al.	D15/9.2
D. 415,171	* 10/1999	Wilson et al.	D15/9.2
D. 415,172	* 10/1999	Wilson et al.	D15/9.2
D. 416,916	* 11/1999	Wilson et al.	D15/9.2
D. 417,226	* 11/1999	Wilson et al.	D15/9.2

OTHER PUBLICATIONS

“BP Apollo—NZ Trial Site Review” (Aug. 14, 1998).
“Loyalty Builders”. Schlumberger brochure.
“V390” (1994).

“V390U” (1994) no date.
“Customer Interface Terminal” no date.
“Horizon 2000 Series Dispenser” no date.
“The Premier Series H422B: With Insight” (Aug. 1997).
“Dispensers” no date.
“Multidispenser Advantage” no date.
“Multidispenser Advantage” no date.
“Universal Univision” by Universal Epsco, Inc. (1995).
“Centurion—A Sophisticated and Reliable Dispenser” by
Schlumberger Electronics Transaction (1997).

* cited by examiner

Primary Examiner—Ralf Seifert

(74) *Attorney, Agent, or Firm*—Coats & Bennett, P.L.L.C.

(57) **CLAIM**

The ornamental design for a fuel dispenser interface, as
shown and described.

DESCRIPTION

FIG. 1 is a top, front, and left side perspective view of a fuel
dispenser interface showing our new design;

FIG. 2 is a front elevational view;

FIG. 3 is a side elevational view;

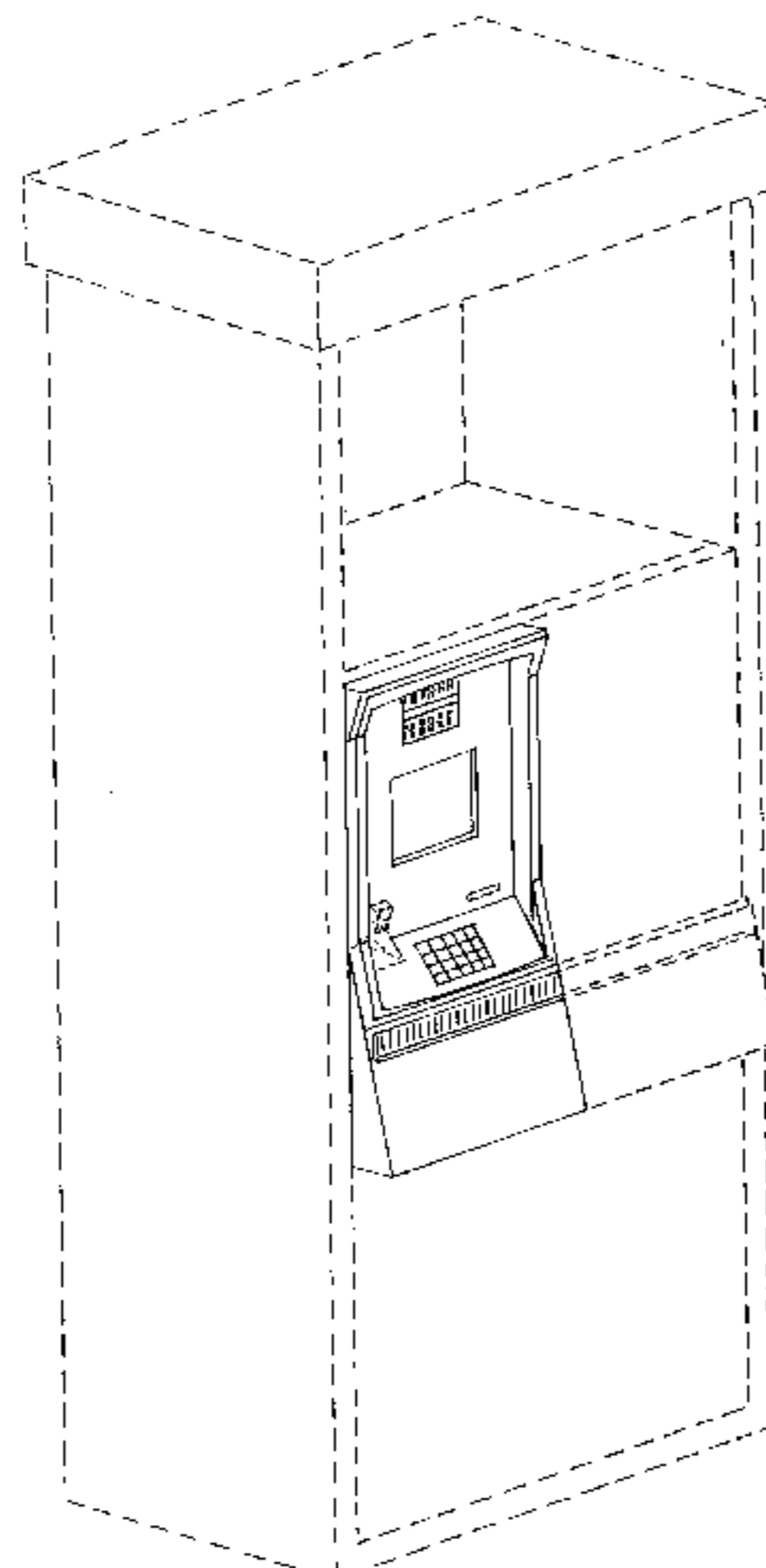
FIG. 4 is a top, front, and left side perspective view of a fuel
dispenser interface showing a second embodiment of our
new design; and,

FIG. 5 is a top, front, and left side perspective view of a fuel
dispenser interface showing a third embodiment our new
design.

The bottom, top and rear elevation views of the design are
not shown and would not depict any aspect of the invention
not already shown in the Figures.

Our new design comprises, essentially, an interface for fuel
dispensers. The broken-line disclosure of a fuel dispenser
and portions thereof in the views is for environmental
purposes only and forms no part of the claimed design.

1 Claim, 4 Drawing Sheets



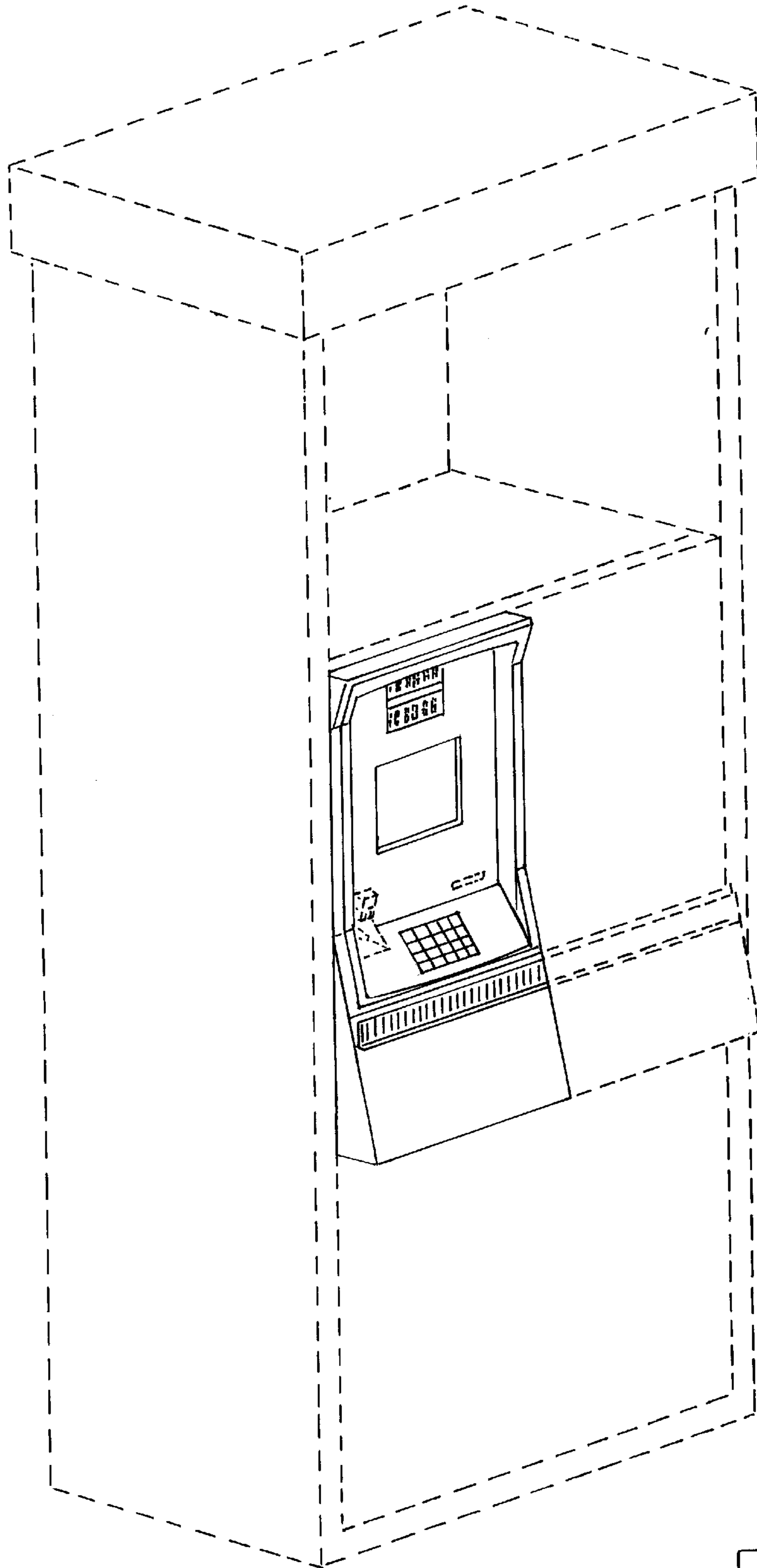


Fig. 1

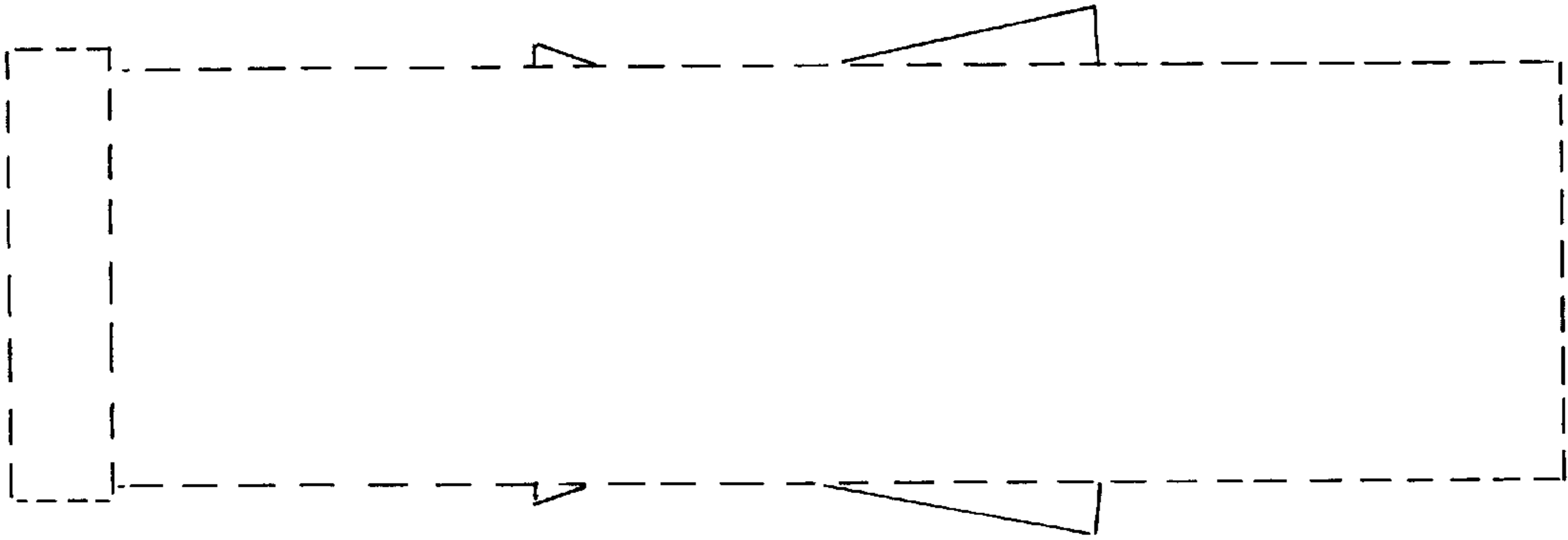


FIG. 3

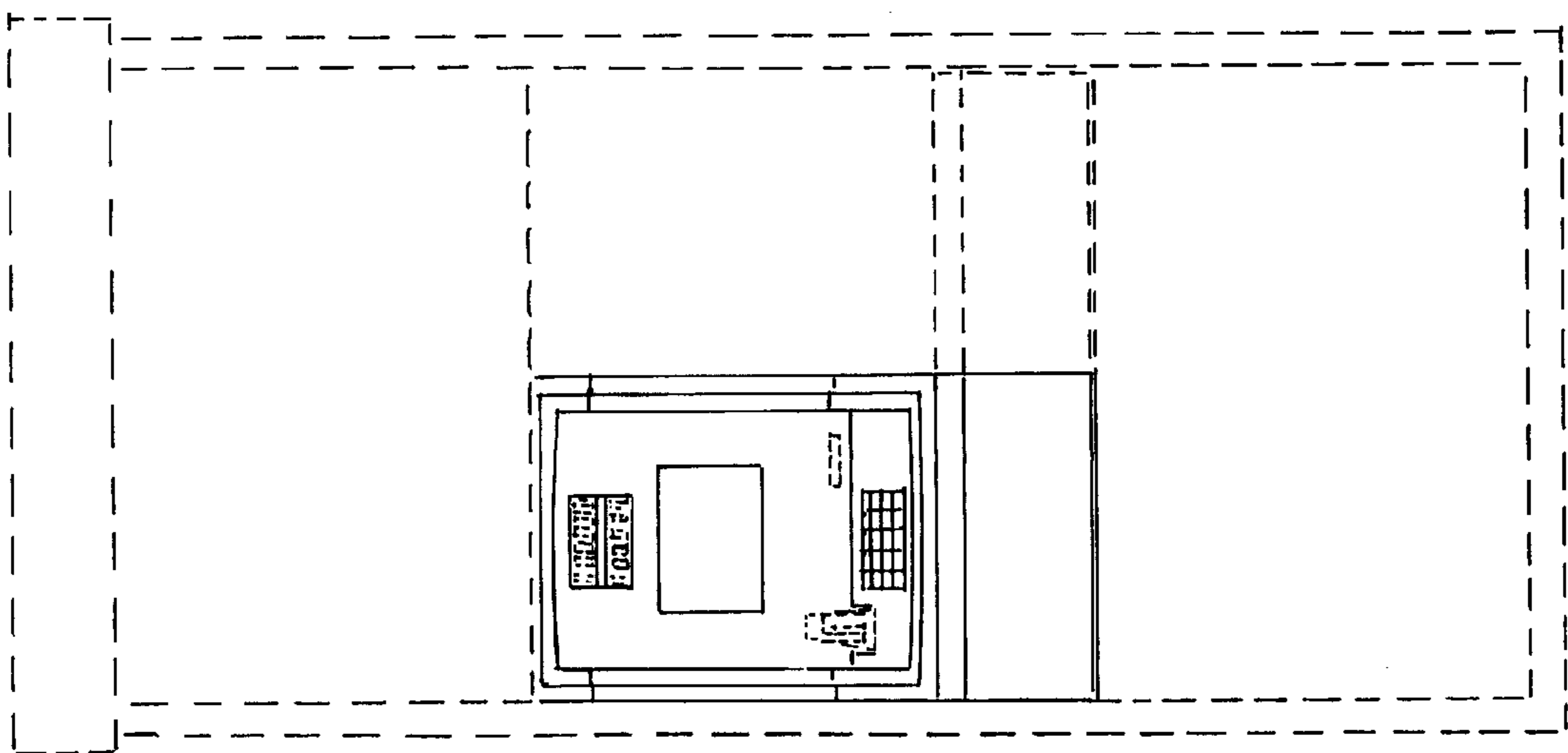


FIG. 2

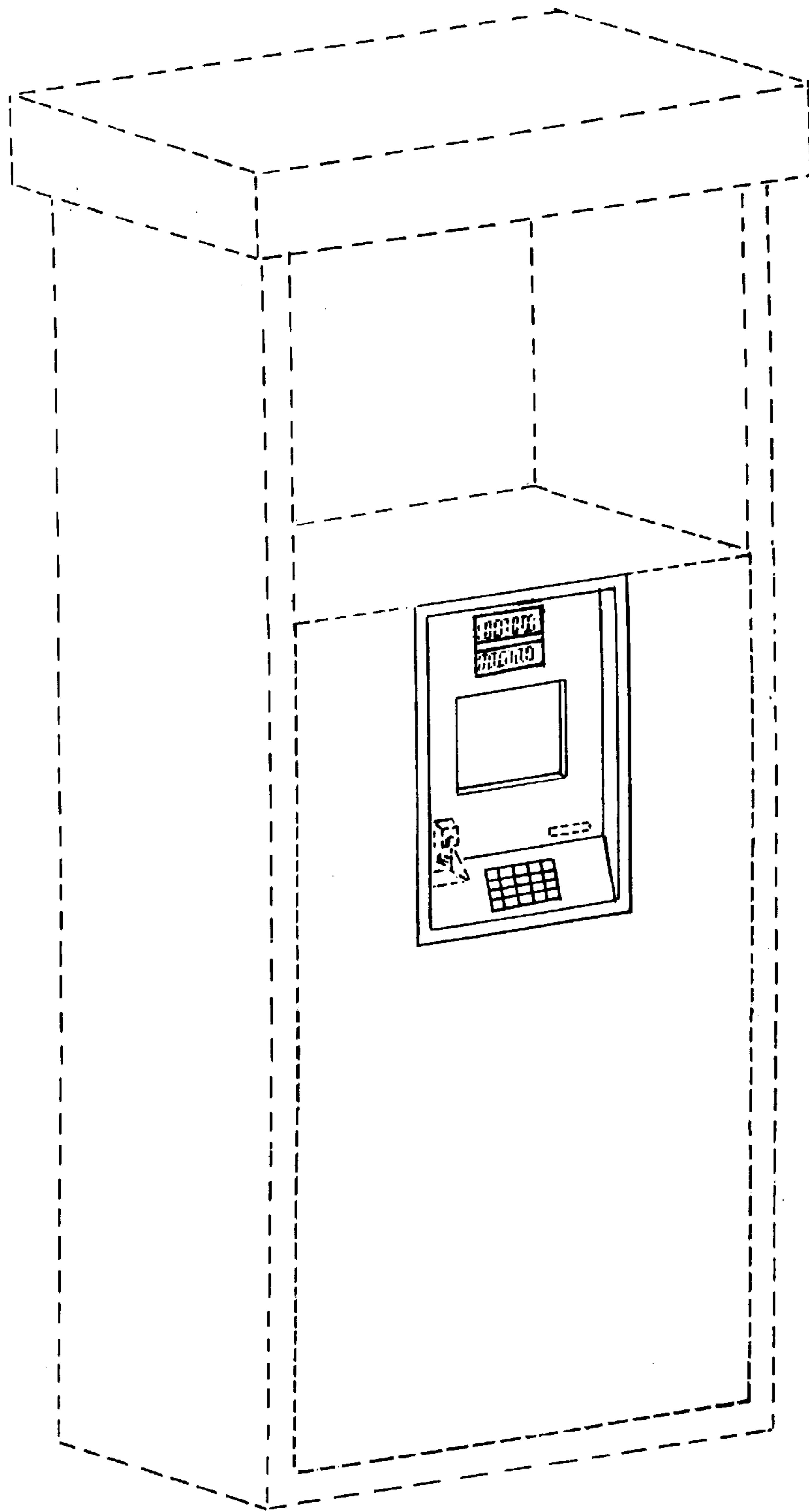


FIG. 4

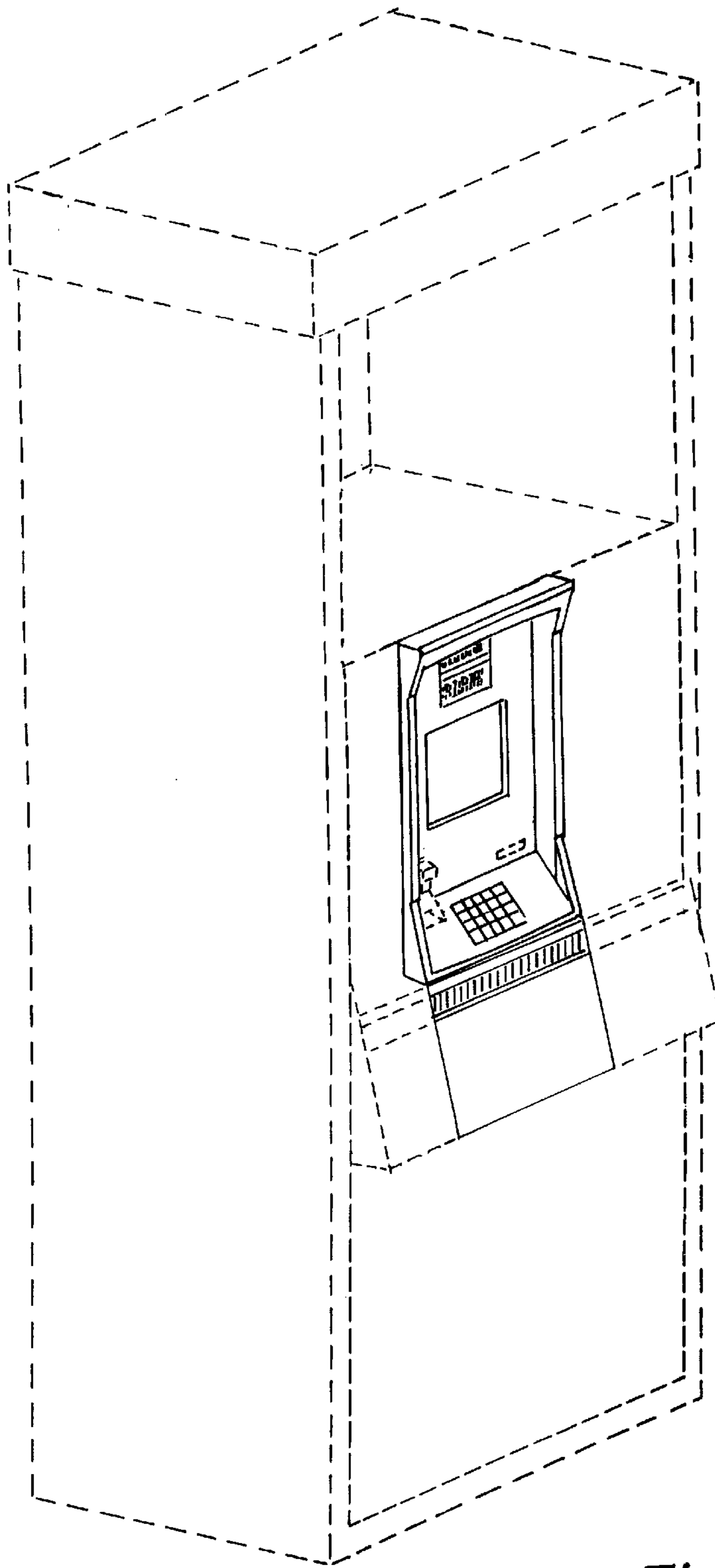


Fig. 5