



US00D443620S

(12) **United States Design Patent**
Nakamura et al.

(10) **Patent No.:** **US D443,620 S**
(45) **Date of Patent:** **** Jun. 12, 2001**

- (54) **FACSIMILE MACHINE**
- (75) Inventors: **Masahiro Nakamura; Eiichi Shimizu,**
both of Nara-ken (JP)
- (73) Assignee: **Sharp Kabushiki Kaisha, Osaka (JP)**
- (**) Term: **14 Years**
- (21) Appl. No.: **29/126,579**
- (22) Filed: **Jul. 20, 2000**
- (30) **Foreign Application Priority Data**
Jan. 20, 2000 (JP) 12-000590
- (51) **LOC (7) Cl.** **16-03**
- (52) **U.S. Cl.** **D14/468**
- (58) **Field of Search** D14/462-471;
358/400, 401, 402, 296, 474, 475, 487

- D. 376,793 12/1996 Satoh et al. .
- D. 383,742 9/1997 Sawada et al. .
- D. 385,266 10/1997 Matsushima .
- D. 386,490 11/1997 Fujimoto .
- D. 407,083 * 3/1999 Yamamizu D14/468
- D. 434,046 * 11/2000 Nakamura D14/468
- D. 438,869 * 3/2001 Nakamura D14/468
- 4,872,061 * 10/1989 Uchiyama 358/400
- 5,172,243 * 12/1992 Hayashi et al. 358/400
- 5,183,431 * 2/1993 Todokoro 358/400 X
- 5,337,165 * 8/1994 Rioussset et al. 358/401 X

* cited by examiner

Primary Examiner—Prabhakar Deshmukh
(74) *Attorney, Agent, or Firm*—Nixon & Vanderhye

(57) **CLAIM**

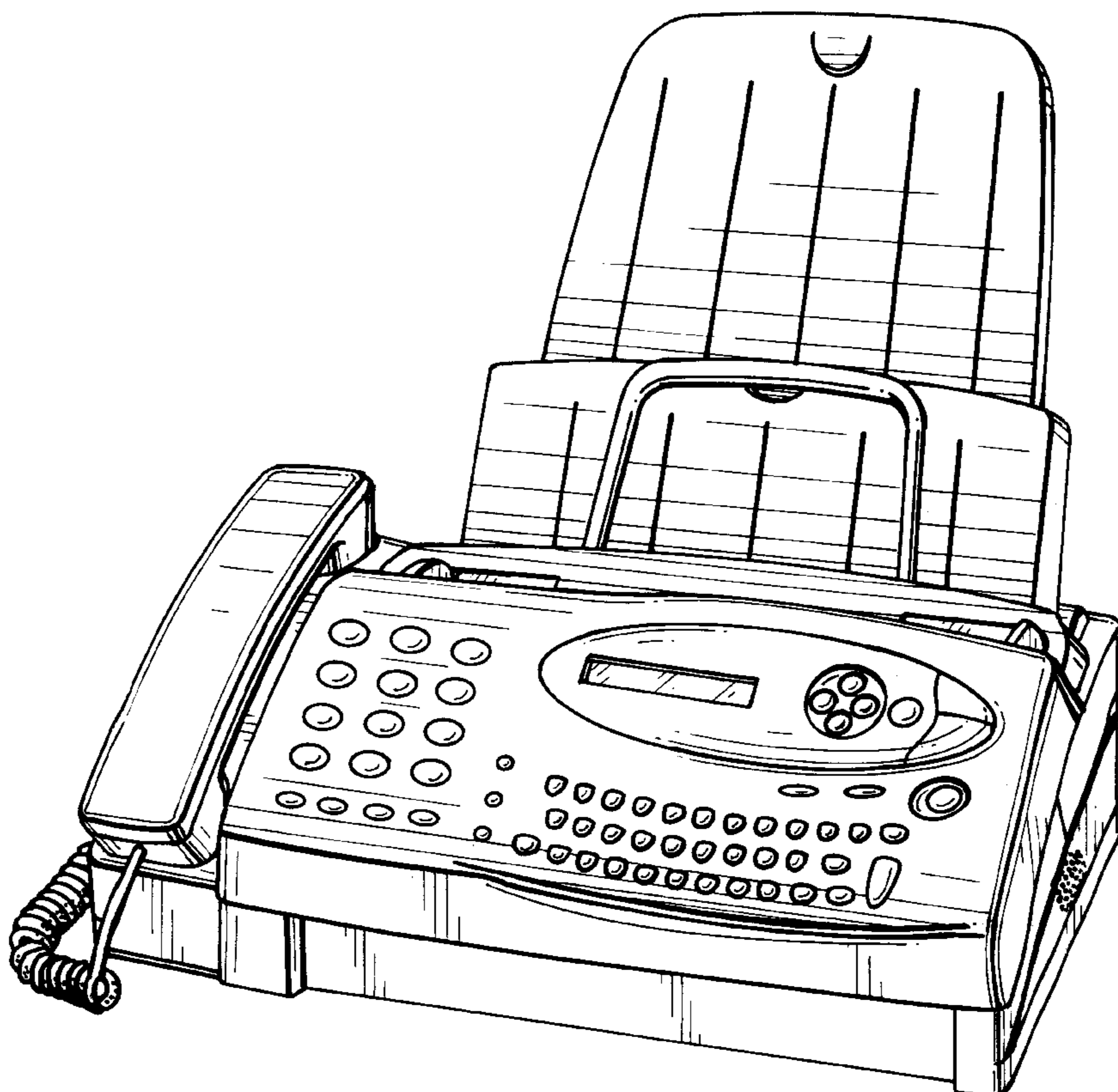
The ornamental design for a “facsimile machine”, as shown and described.

DESCRIPTION

FIG. 1 is a top, front and right side perspective view of a facsimile machine according to our design;
FIG. 2 is a top plan view thereof;
FIG. 3 is a front elevational view thereof;
FIG. 4 is a right side elevational view thereof;
FIG. 5 is a rear elevational view thereof;
FIG. 6 is a left side elevational view thereof; and,
FIG. 7 is a bottom plan view thereof.

1 Claim, 7 Drawing Sheets

- (56) **References Cited**
- U.S. PATENT DOCUMENTS**
- D. 332,094 12/1992 Sawada et al. .
- D. 339,333 9/1993 Sawada et al. .
- D. 345,155 * 3/1994 Hiroki et al. D14/468
- D. 355,178 2/1995 Sawada et al. .
- D. 355,179 2/1995 Sawada et al. .
- D. 357,677 4/1995 Sawada et al. .
- D. 361,994 9/1995 Sawada et al. .
- D. 363,713 10/1995 Kanari et al. .



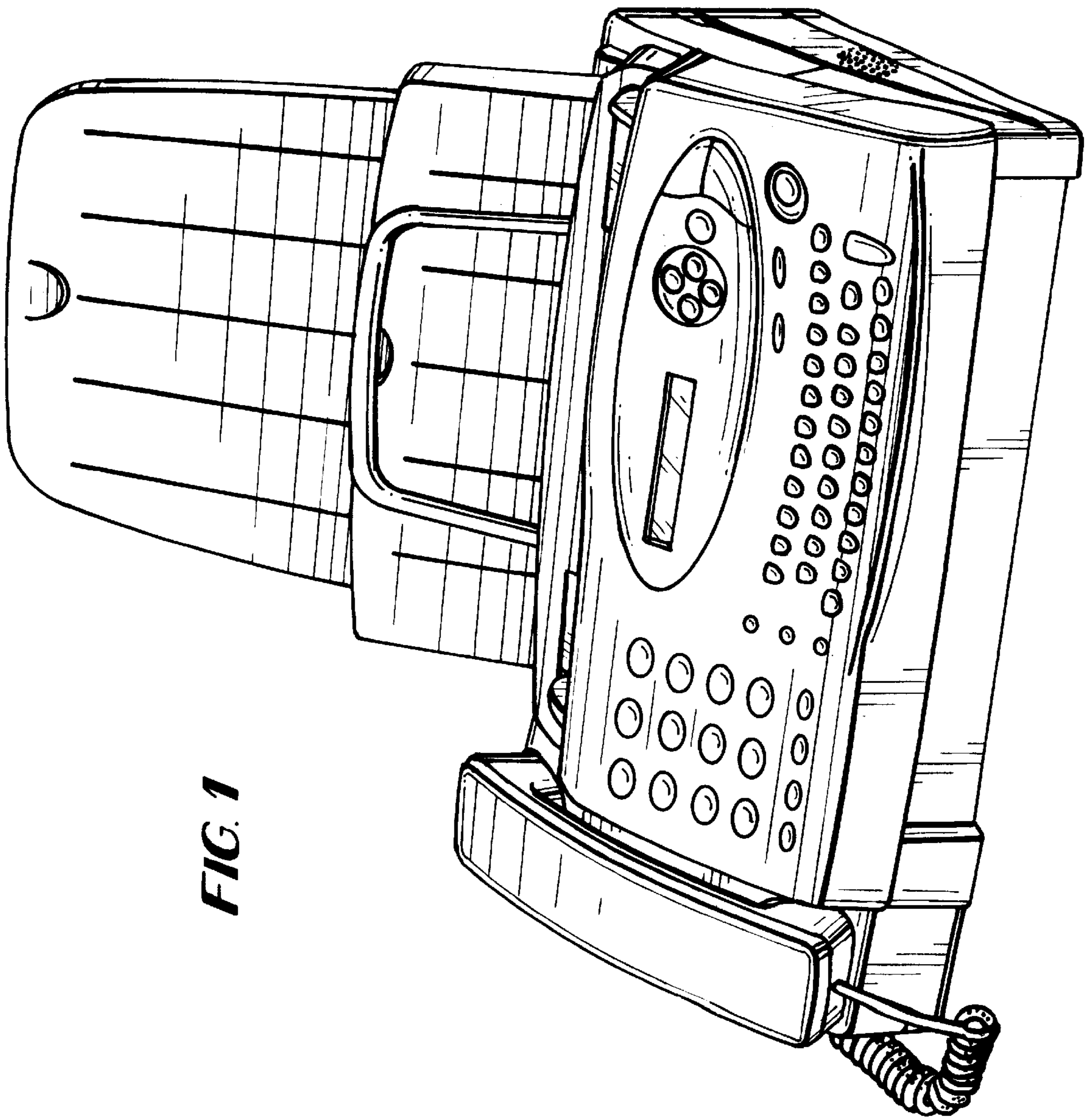


FIG. 1

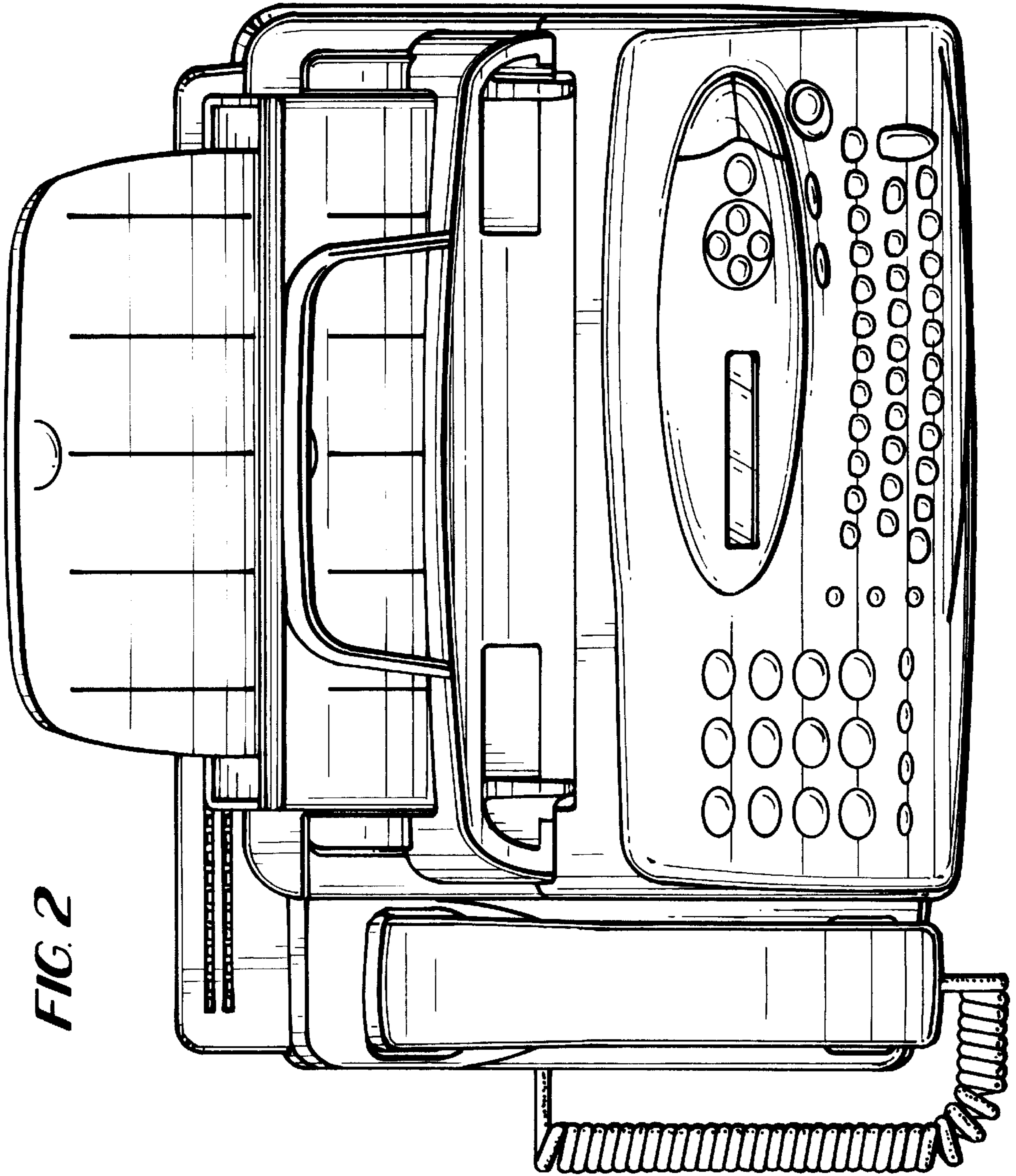


FIG. 2

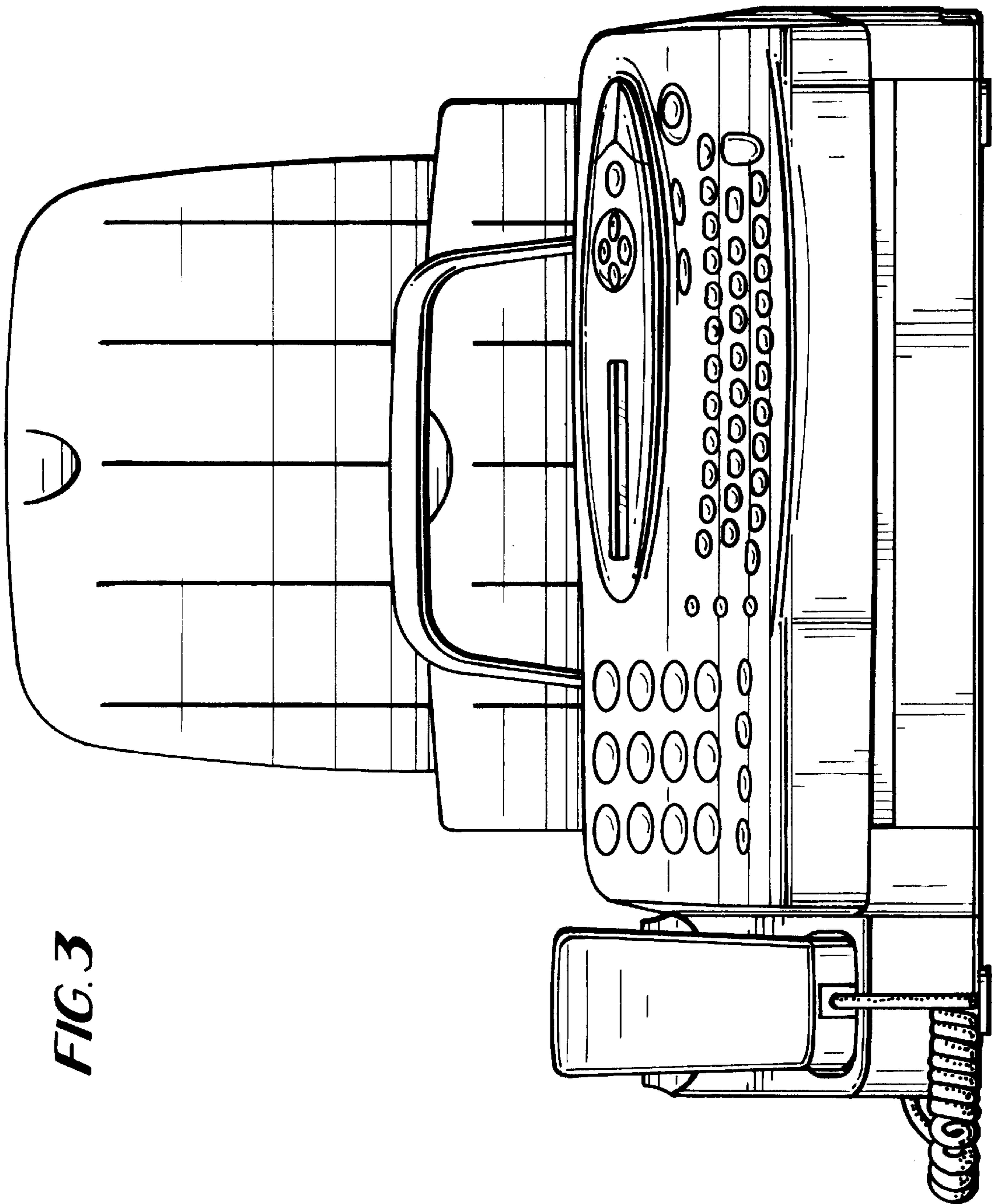


FIG. 3

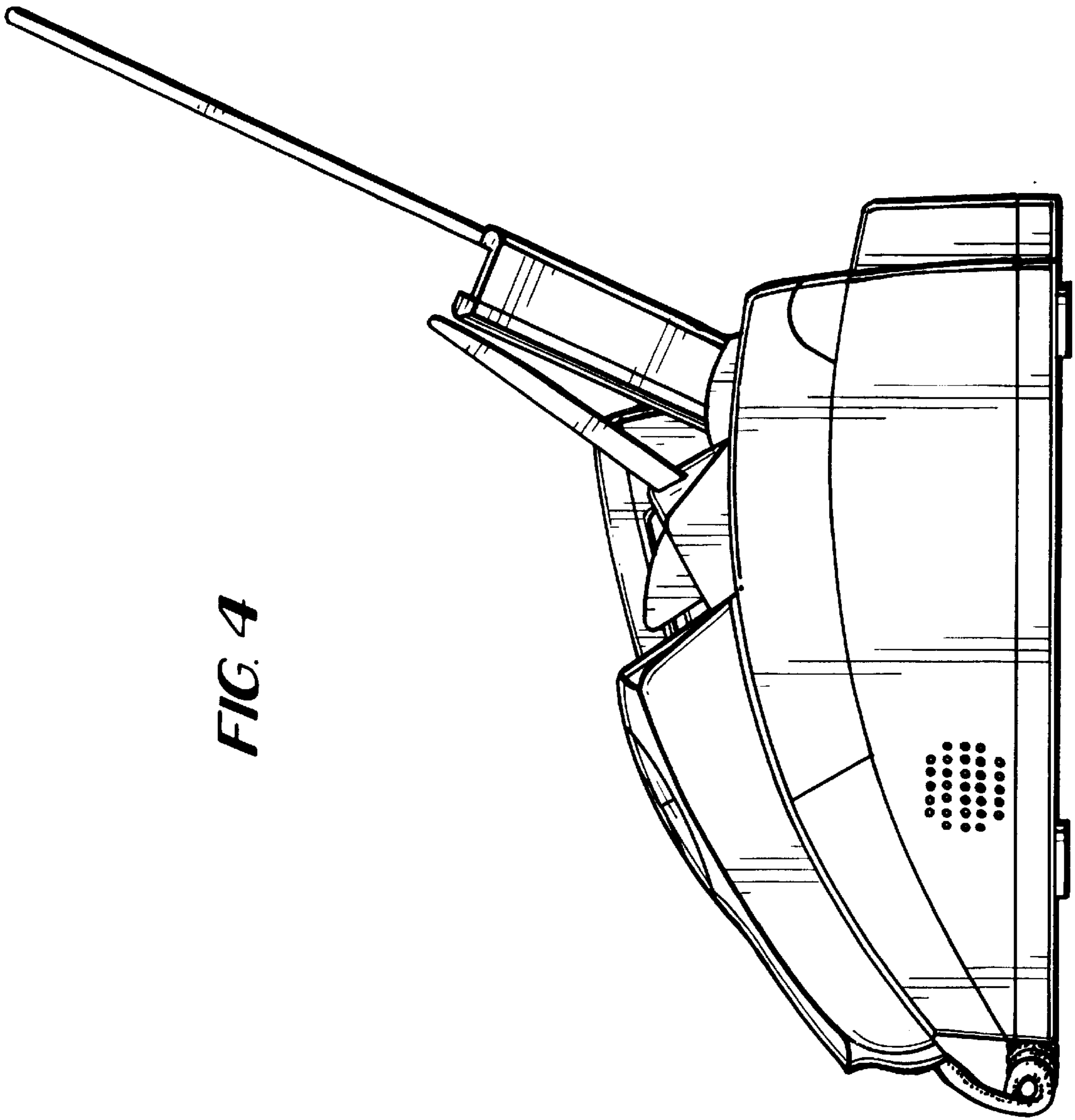


FIG. 4

FIG. 5

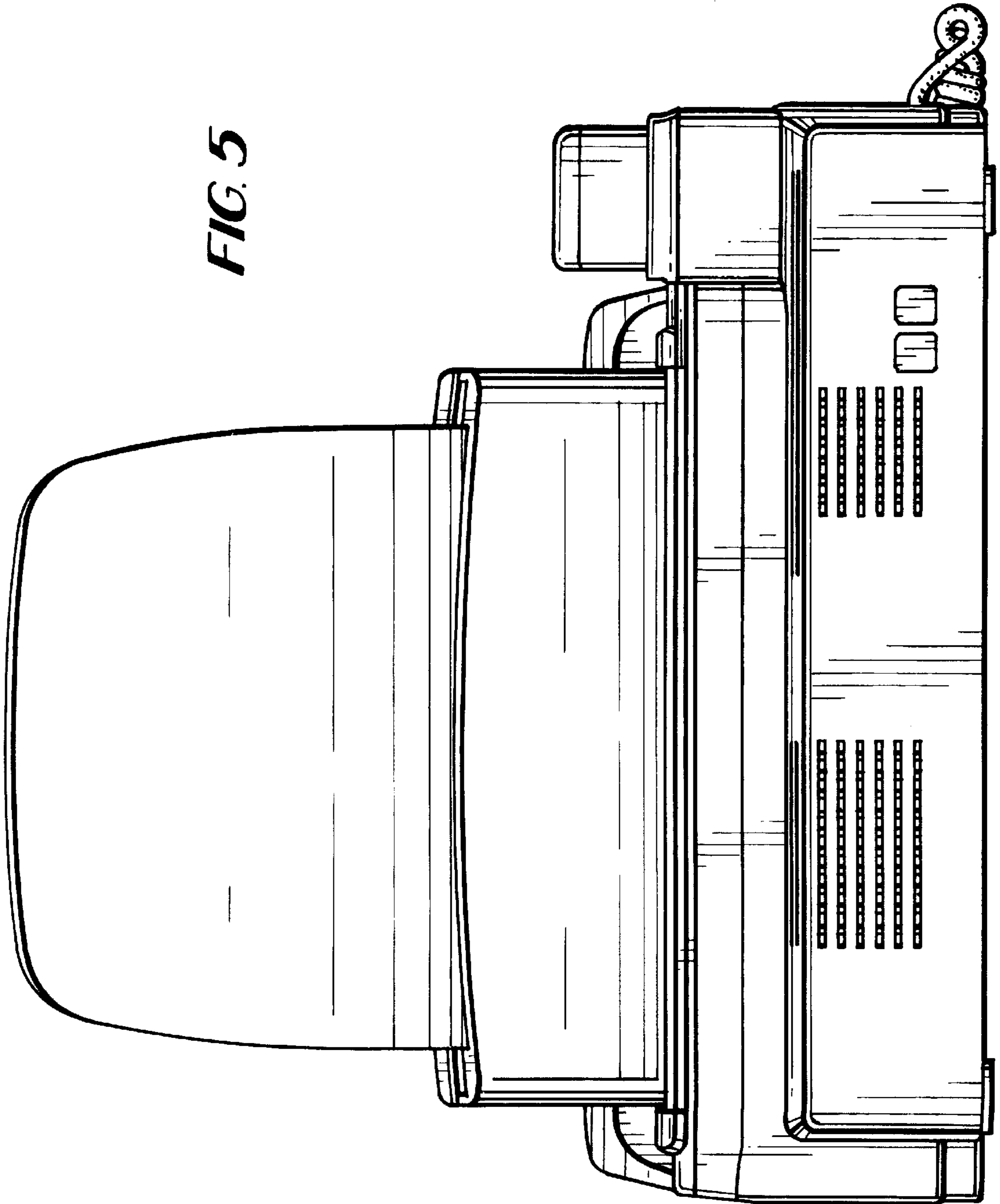
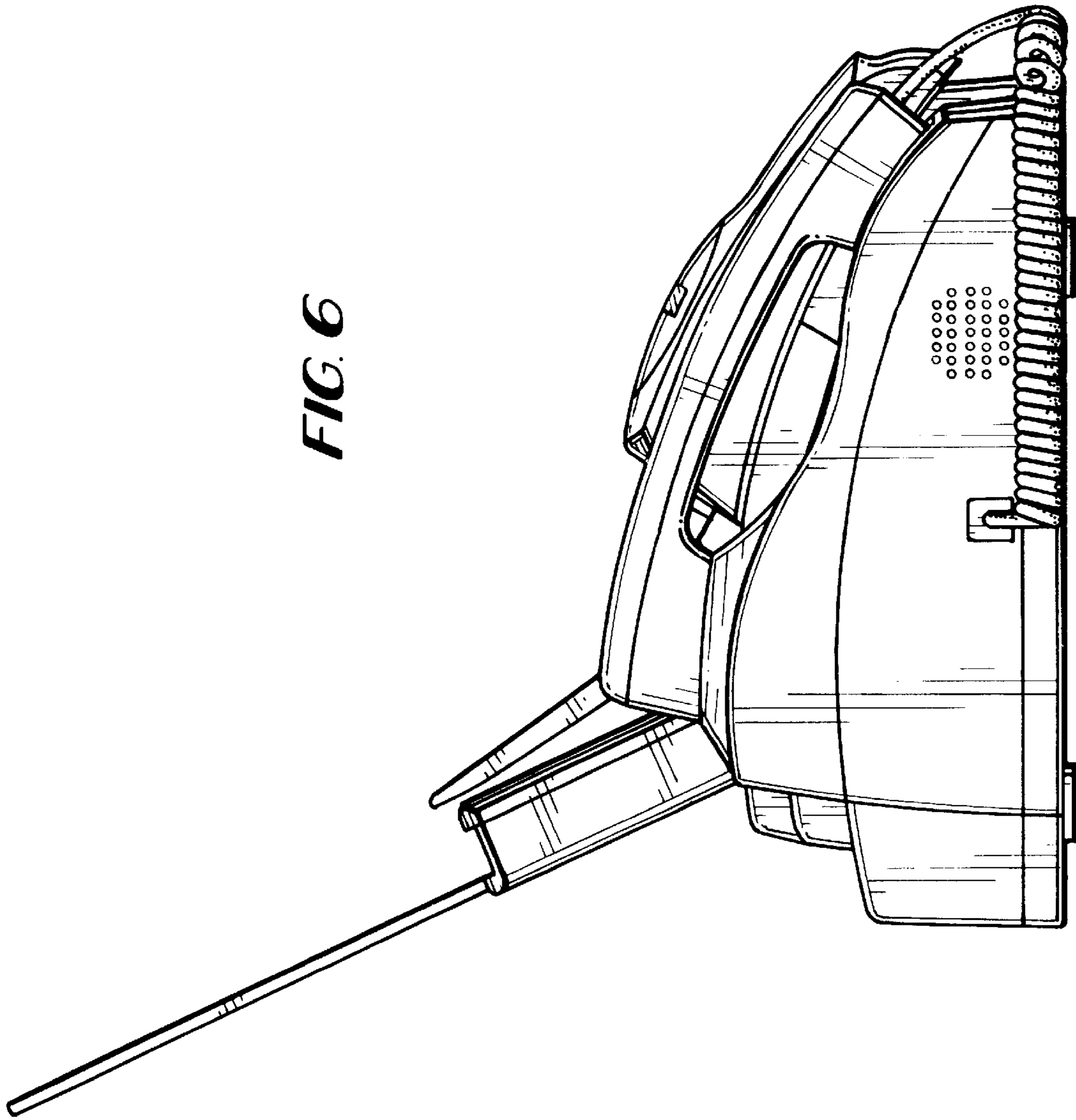


FIG. 6



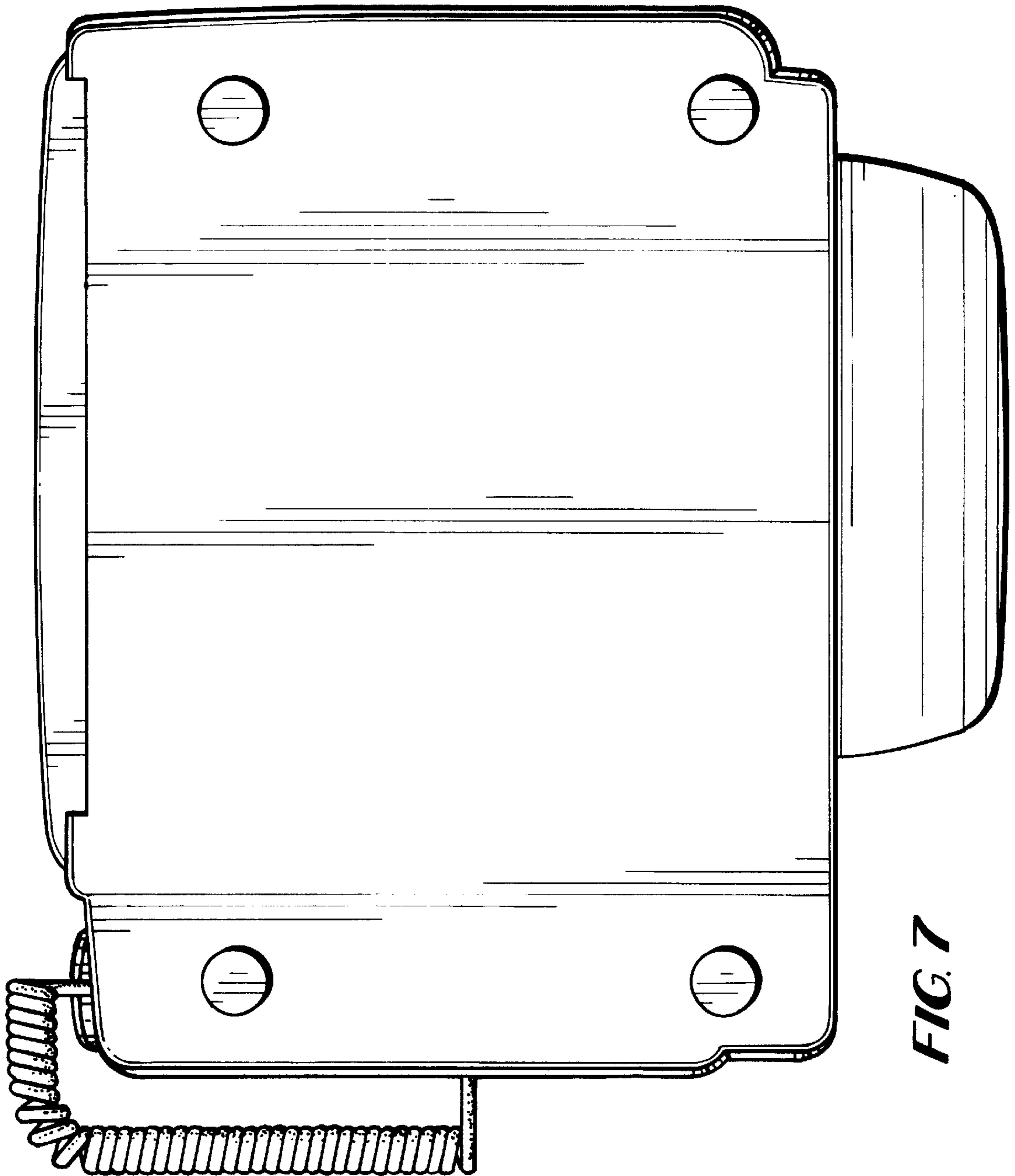


FIG. 7