



US00D443612S

(12) **United States Design Patent**
Evers et al.

(10) **Patent No.:** **US D443,612 S**

(45) **Date of Patent:** **** Jun. 12, 2001**

(54) **PERSONAL DIGITAL ASSISTANT DEVICE**

(75) Inventors: **Maaïke Evers**, San Francisco; **David Northway**, San Carlos; **David Christopher**, San Francisco; **Zita Thorpe**, Campbell; **Lauren Utigard**, Pleasanton; **Max Yoshimoto**, San Francisco, all of CA (US)

(73) Assignee: **Palm, Inc.**, Santa Clara, CA (US)

(**) Term: **14 Years**

(21) Appl. No.: **29/130,307**

(22) Filed: **Sep. 29, 2000**

(51) **LOC (7) Cl.** **14-02**

(52) **U.S. Cl.** **D14/341**

(58) **Field of Search** D14/341-346,
D14/339; D18/2, 7; 235/145 A, 145 R;
341/22, 23; 345/156, 168, 169, 172, 173;
349/12; 361/680-686; 395/326

(56) **References Cited**

U.S. PATENT DOCUMENTS

D. 330,907 * 11/1992 Burke D18/7

D. 397,679 * 9/1998 Hawkins et al. D14/342
D. 398,904 * 9/1998 Tamaki et al. D14/341
D. 408,372 * 4/1999 Ota et al. D14/346
D. 415,122 * 10/1999 Monnig D14/339
5,657,459 * 8/1997 Yanagisawa et al. 395/326

* cited by examiner

Primary Examiner—Freda Nunn

(74) *Attorney, Agent, or Firm*—Wagner, Murabito & Hao LLP

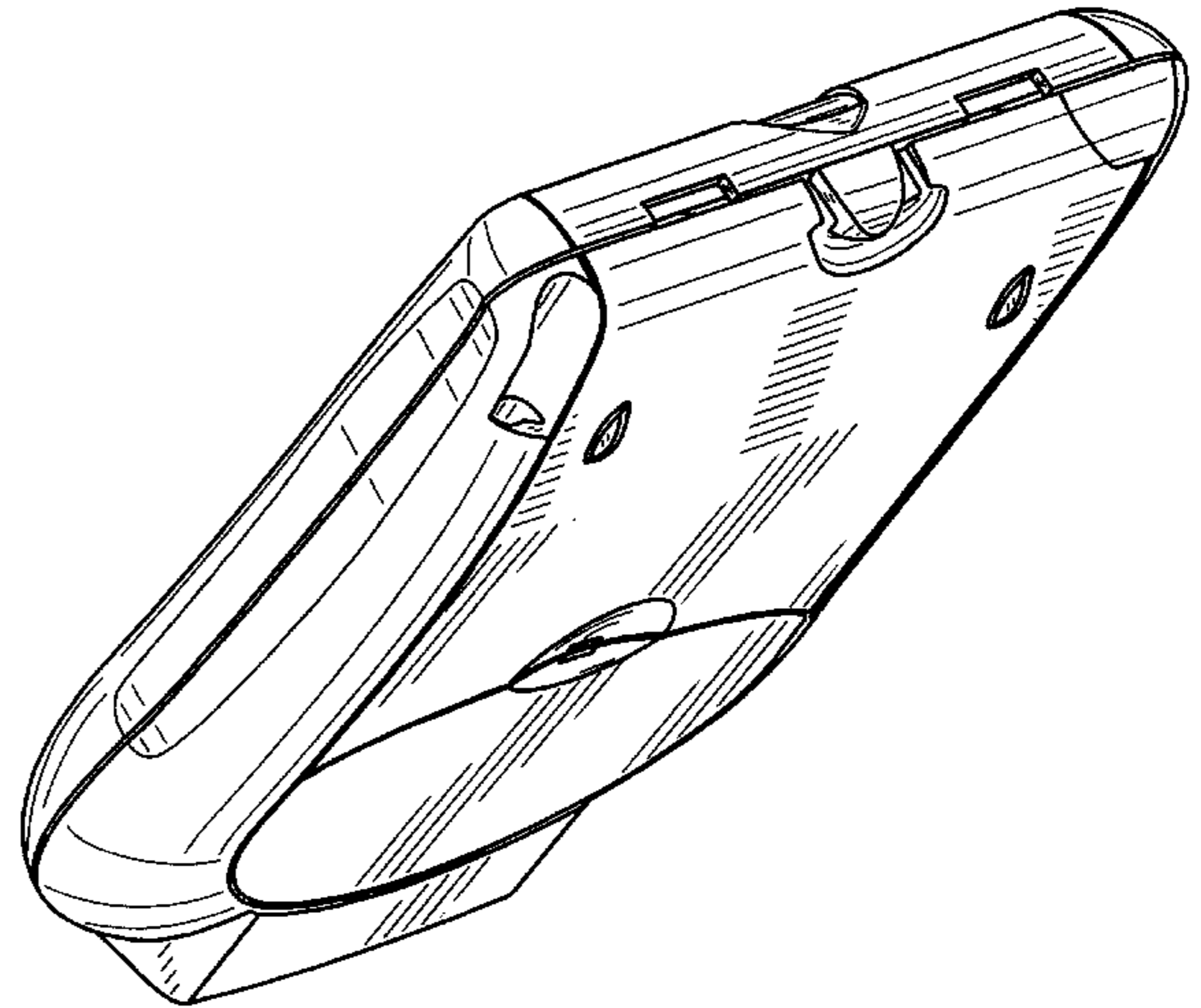
(57) **CLAIM**

We claim the ornamental design for a personal digital assistant device, as shown and described.

DESCRIPTION

FIG. 1 is a lower right front perspective view of a personal digital assistant device showing our new design; FIG. 2 is an upper right rear perspective view thereof; FIG. 3 is an enlarged front elevational view thereof; FIG. 4 is an enlarged right side elevational view thereof; FIG. 5 is an enlarged rear elevational view thereof; FIG. 6 is an enlarged left side elevational view thereof; FIG. 7 is an enlarged top plan view thereof; and, FIG. 8 is an enlarged bottom plan view thereof.

1 Claim, 4 Drawing Sheets



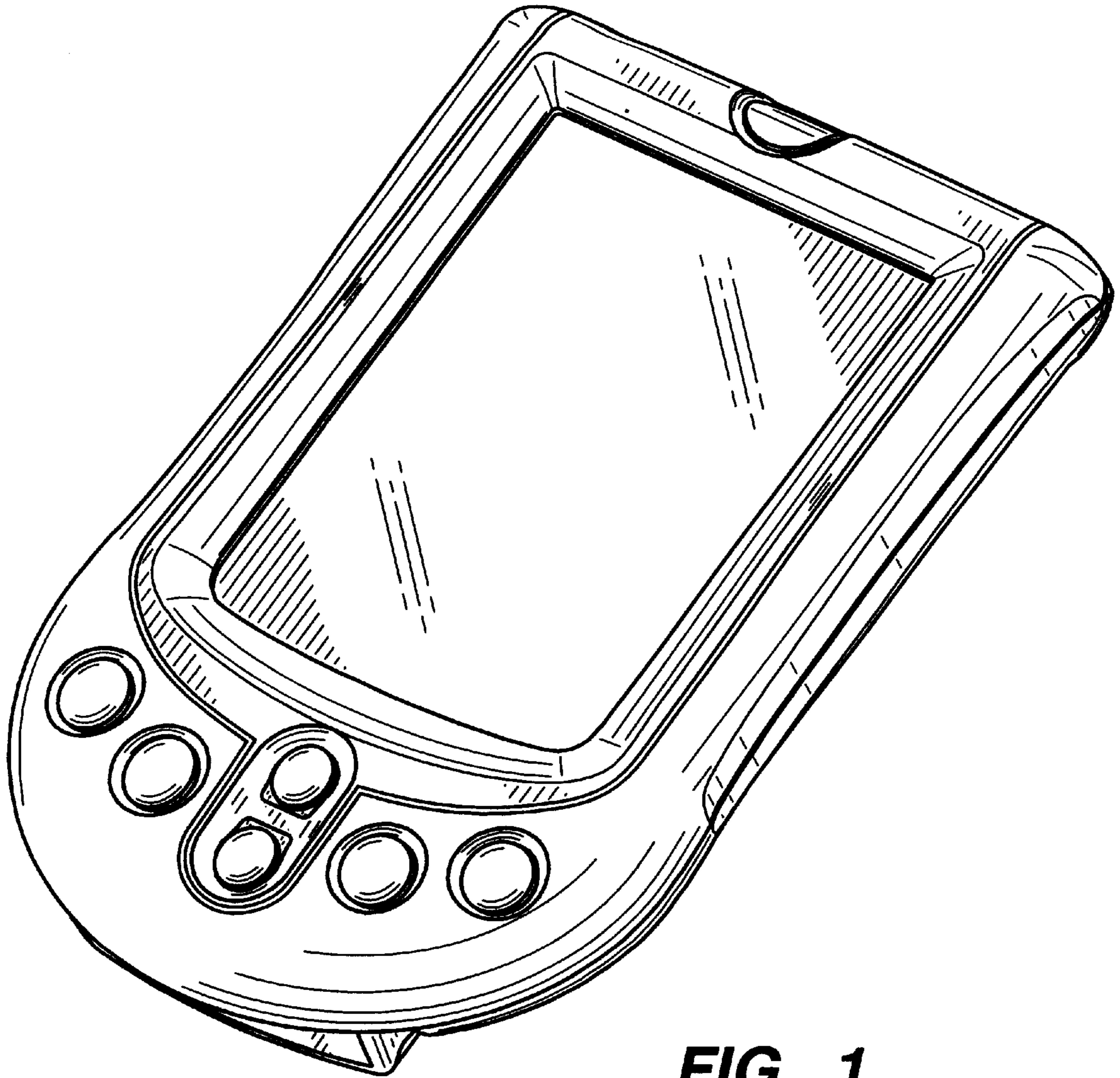


FIG. 1

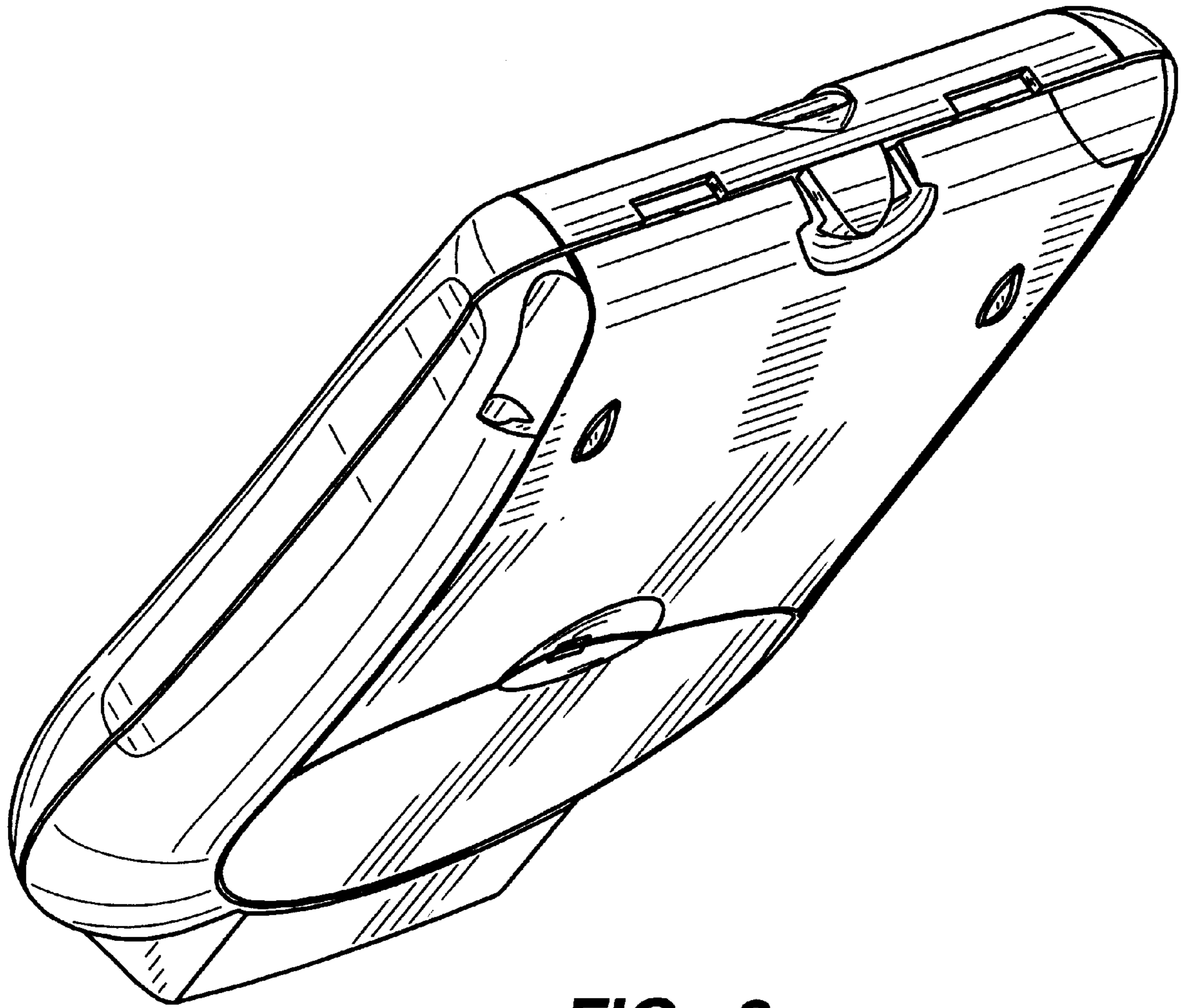


FIG. 2

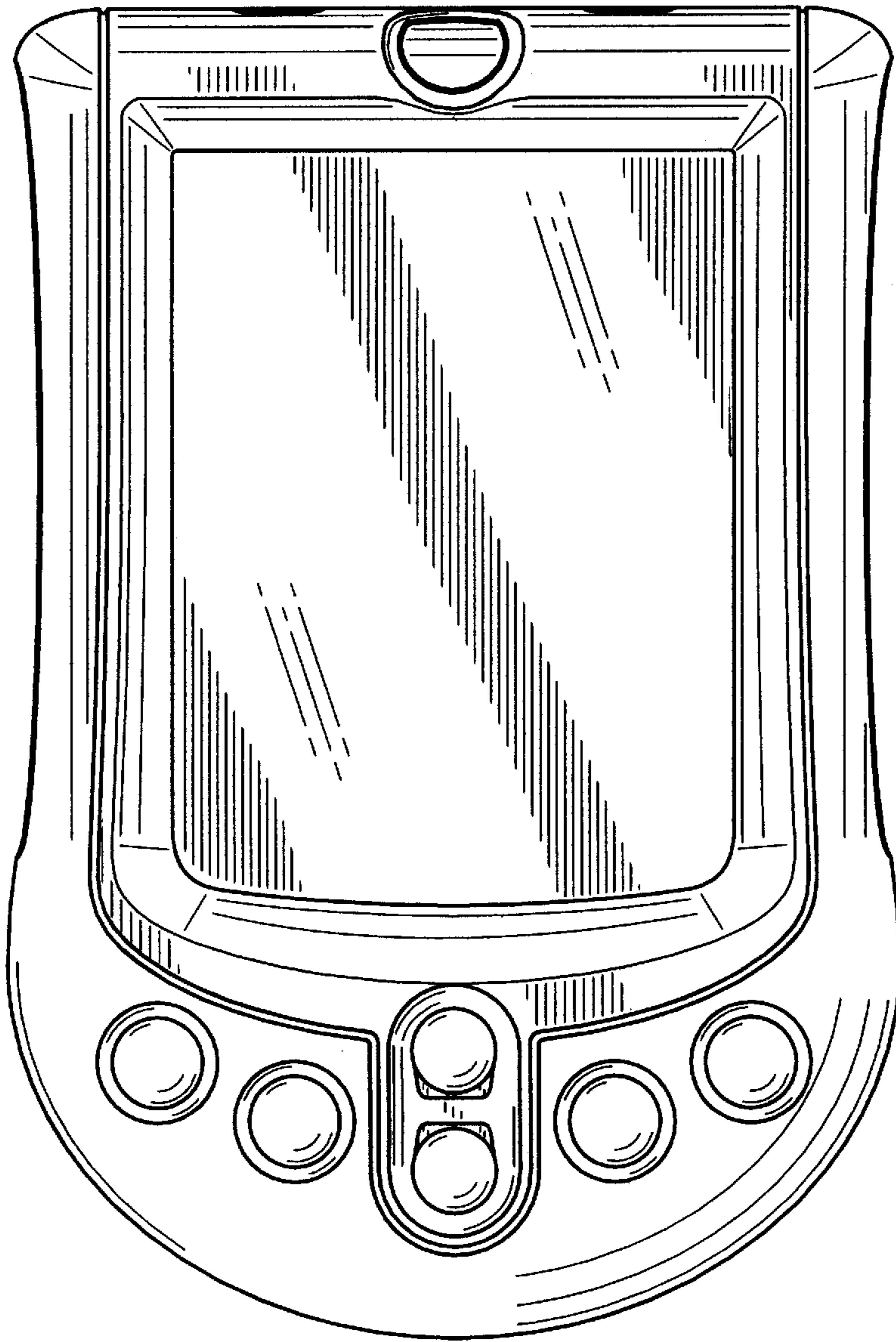


FIG._3

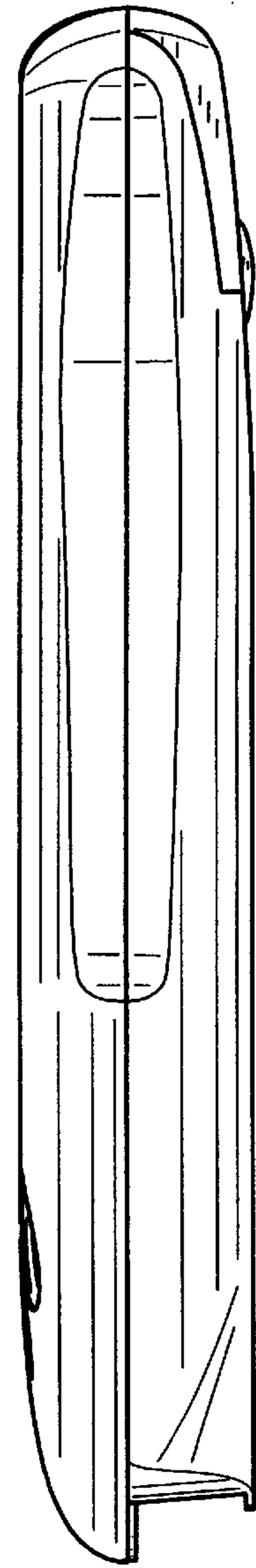


FIG._4

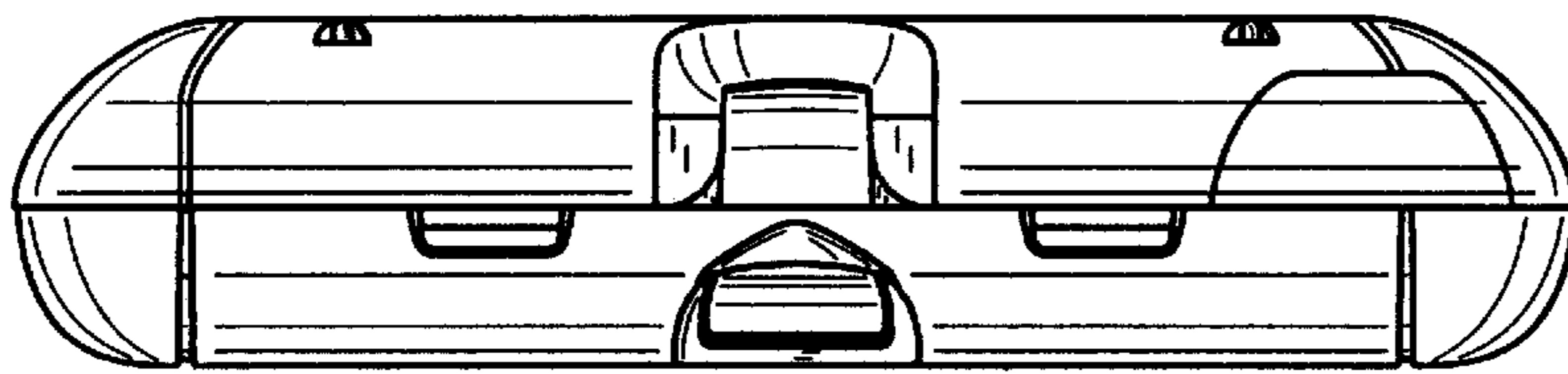


FIG._7

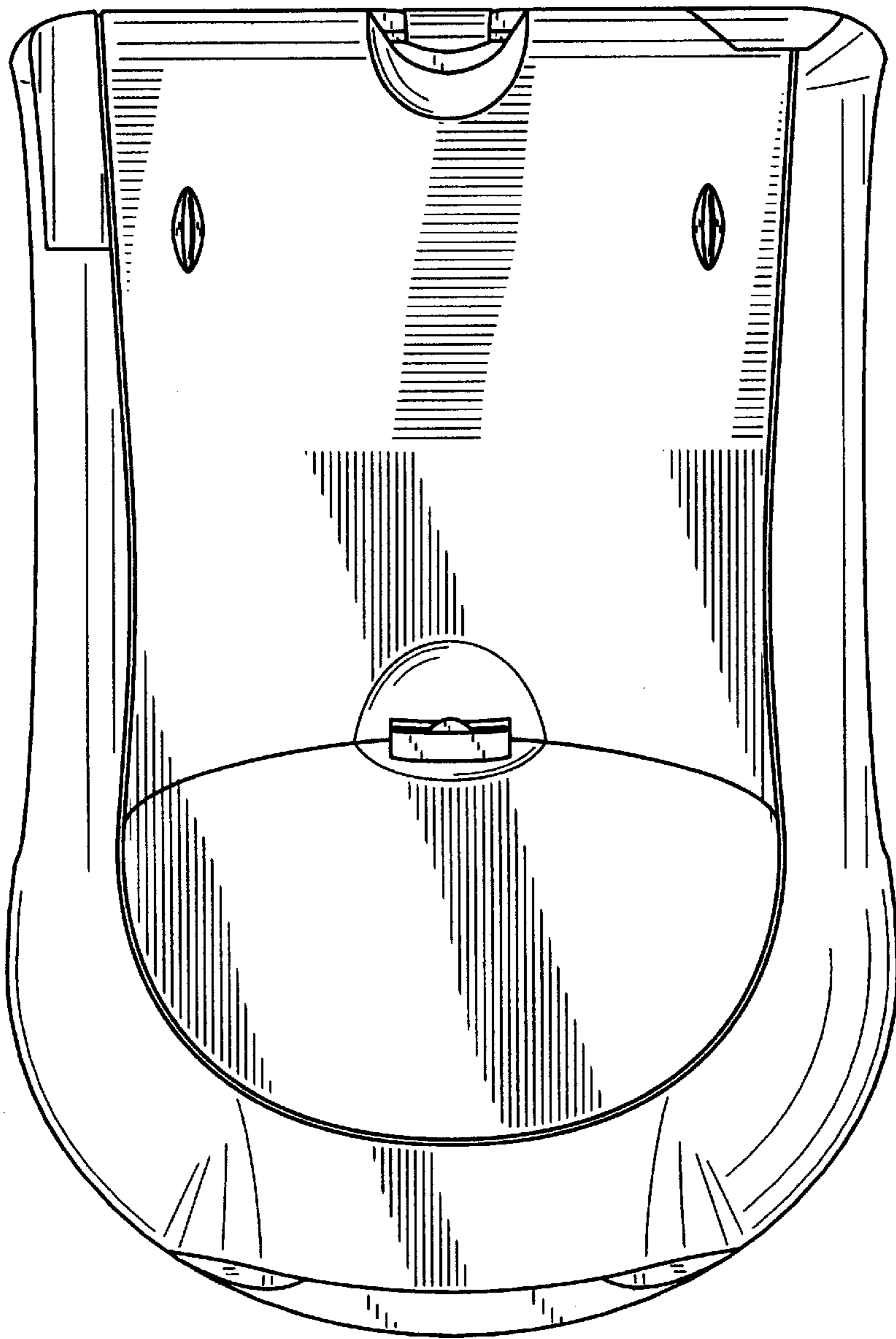


FIG._5

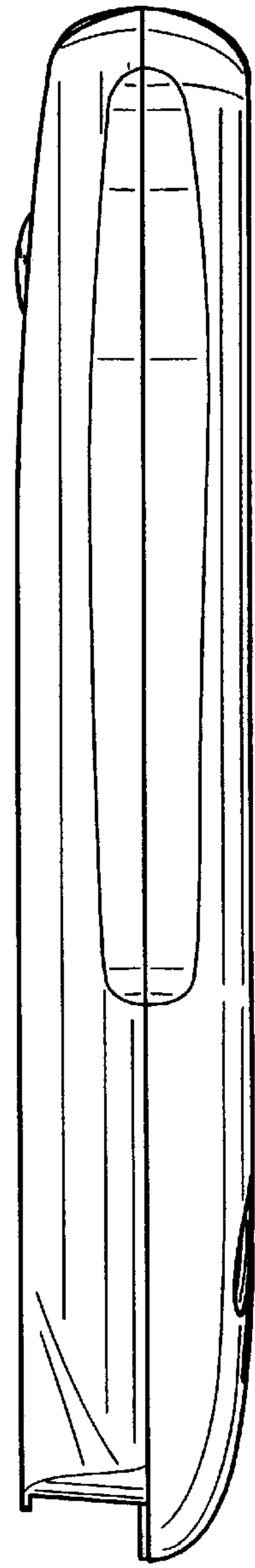


FIG._6

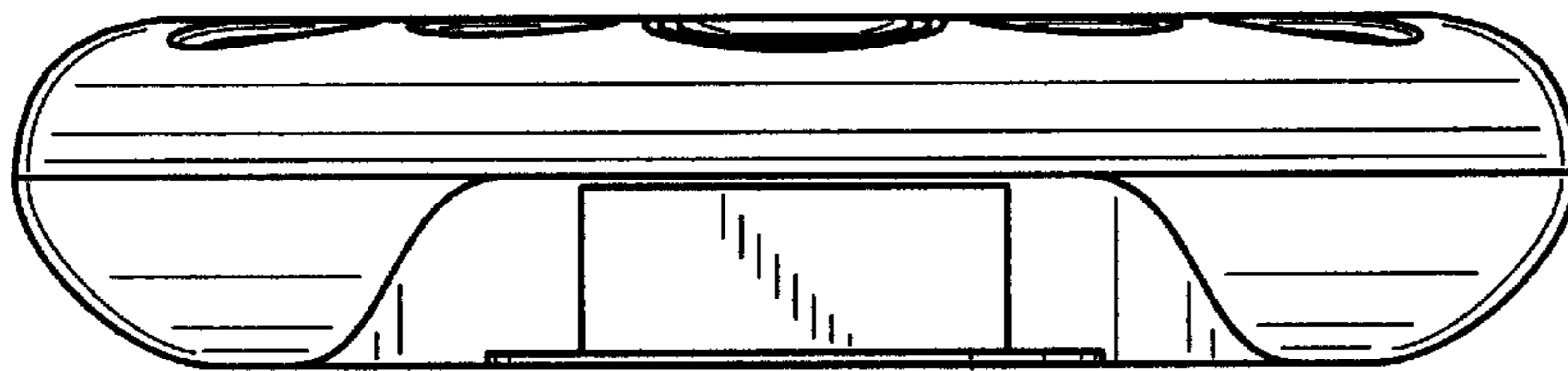


FIG._8