



US00D443611S

(12) **United States Design Patent**  
**Yang et al.**

(10) **Patent No.:** **US D443,611 S**

(45) **Date of Patent:** **\*\* Jun. 12, 2001**

(54) **PERSONAL COMPUTER**

(75) Inventors: **Po-Hsien Yang; Daniel M Koo**, both of Taipei (TW)

(73) Assignee: **Proview Electronics (Taiwan) Co. Ltd.**, Yungho (TW)

(\*\*) Term: **14 Years**

(21) Appl. No.: **29/127,155**

(22) Filed: **Jul. 31, 2000**

(30) **Foreign Application Priority Data**

Jun. 3, 2000 (TW) ..... 089303782

(51) **LOC (7) Cl.** ..... **14-02**

(52) **U.S. Cl.** ..... **D14/336**

(58) **Field of Search** ..... D14/371, 337, D14/379, 336, 382, 126-129; 345/104, 133, 156, 168, 173, 87; 348/180, 184, 325, 739; 349/1, 2, 11, 62

(56) **References Cited**

**U.S. PATENT DOCUMENTS**

D. 277,383 \* 1/1985 Boudreau et al. .... D14/371

D. 310,829 \* 9/1990 Suyama et al. .... D14/382

D. 361,550 \* 8/1995 Mundt et al. .... D14/337

D. 370,466 \* 6/1996 Vossoughi ..... D14/336

\* cited by examiner

*Primary Examiner*—Freda Nunn

(74) *Attorney, Agent, or Firm*—Weingarten, Schurgen, Gagnebin & Hayes LLP

(57) **CLAIM**

The ornamental design for a personal computer, as shown and described.

**DESCRIPTION**

FIG. 1 is a perspective view of a personal computer showing our new design;

FIG. 2 is a front elevational view thereof;

FIG. 3 is a rear elevational view thereof;

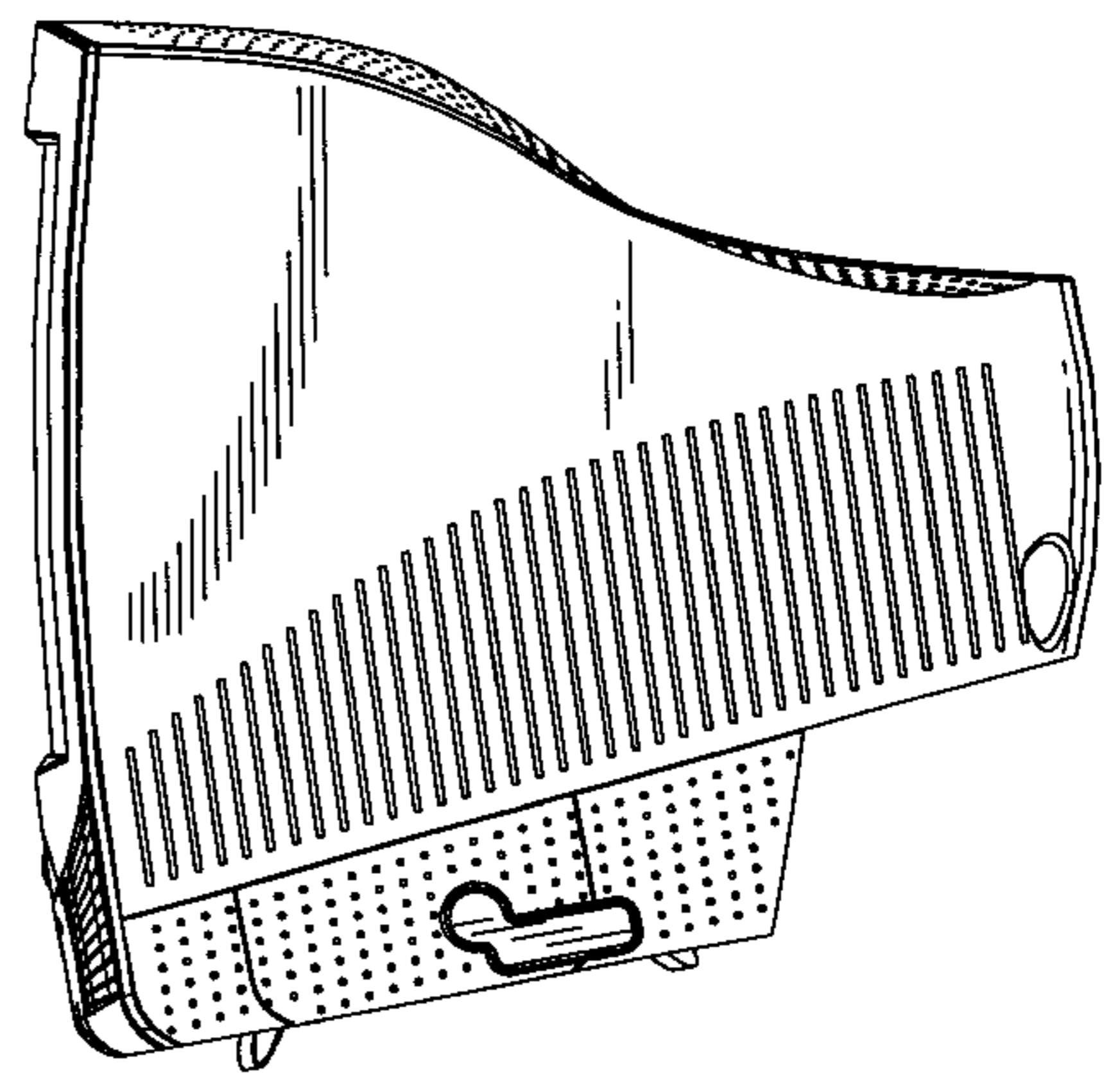
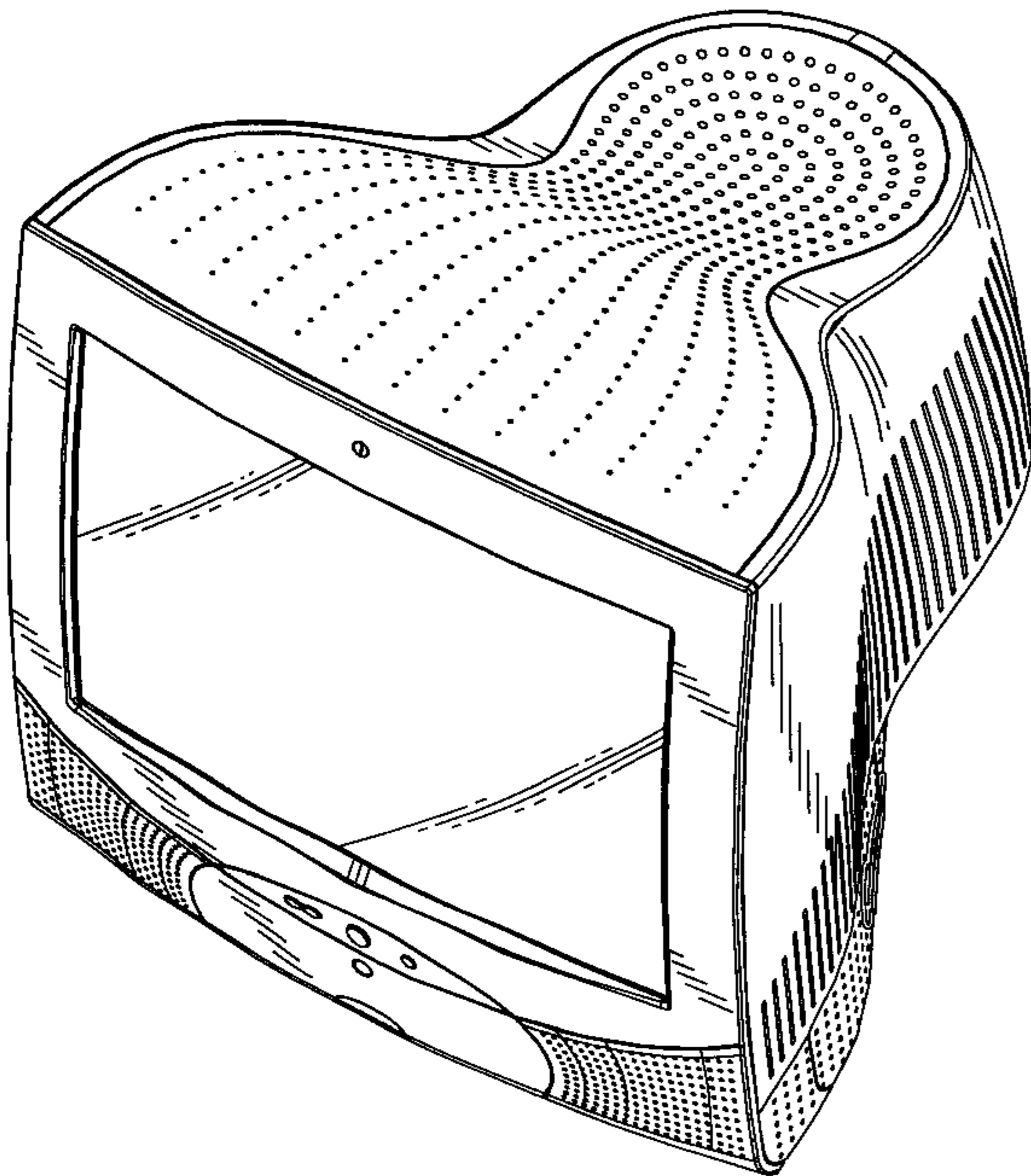
FIG. 4 is a left side elevational view thereof;

FIG. 5 is a right side elevational view thereof;

FIG. 6 is a top plan view thereof; and,

FIG. 7 is a bottom plan view thereof.

**1 Claim, 4 Drawing Sheets**



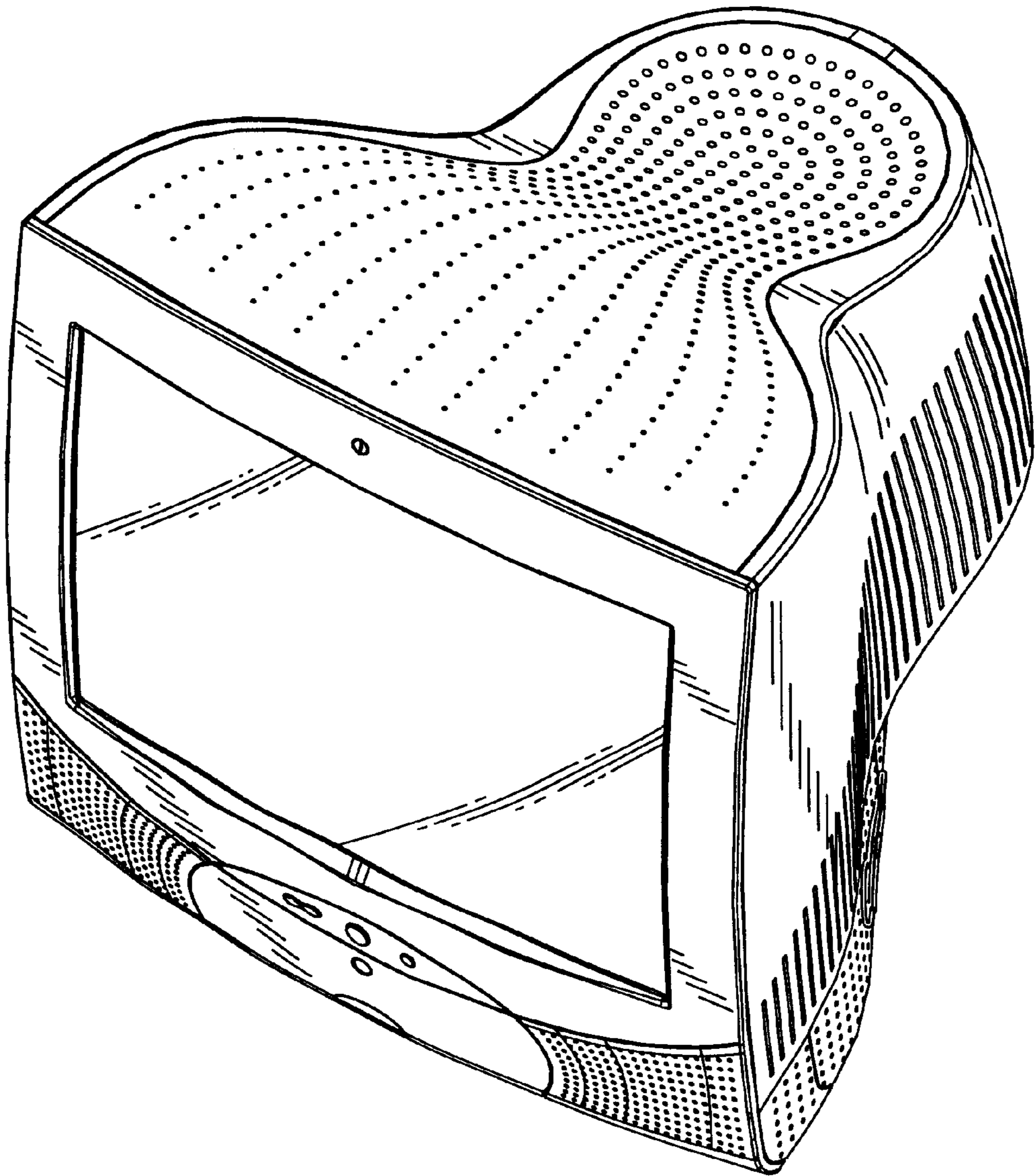


FIG. 1

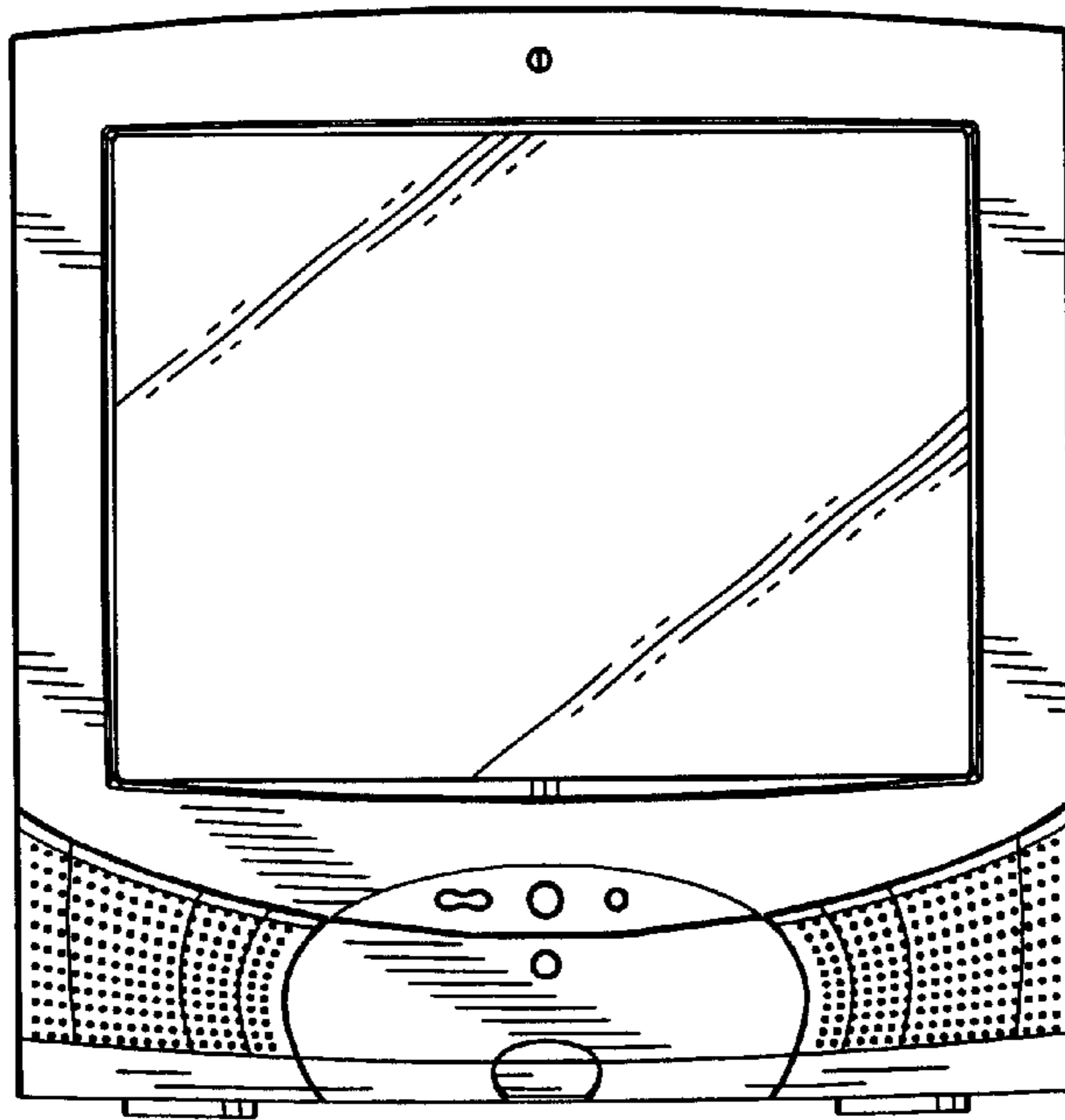


FIG. 2

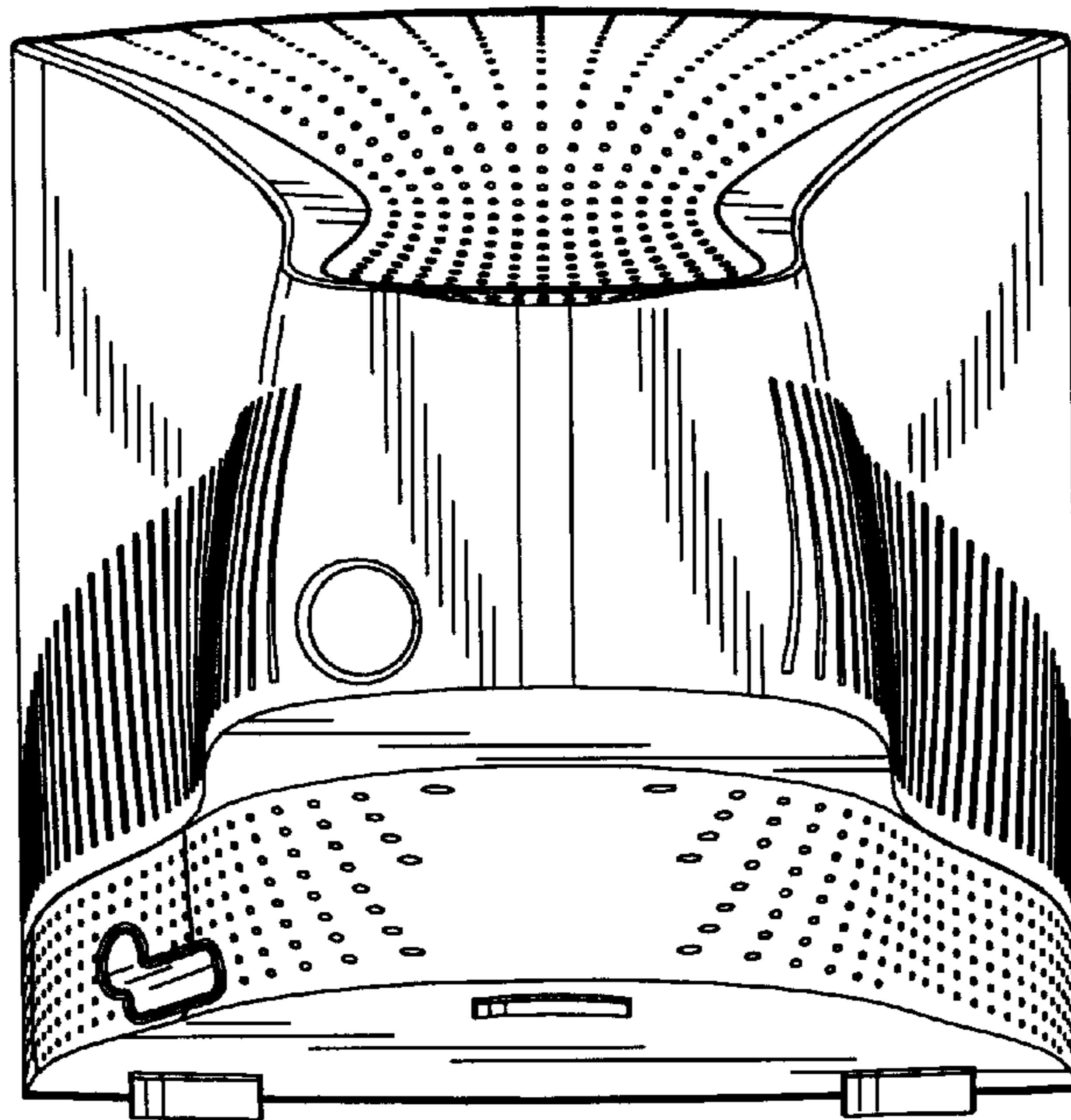


FIG. 3

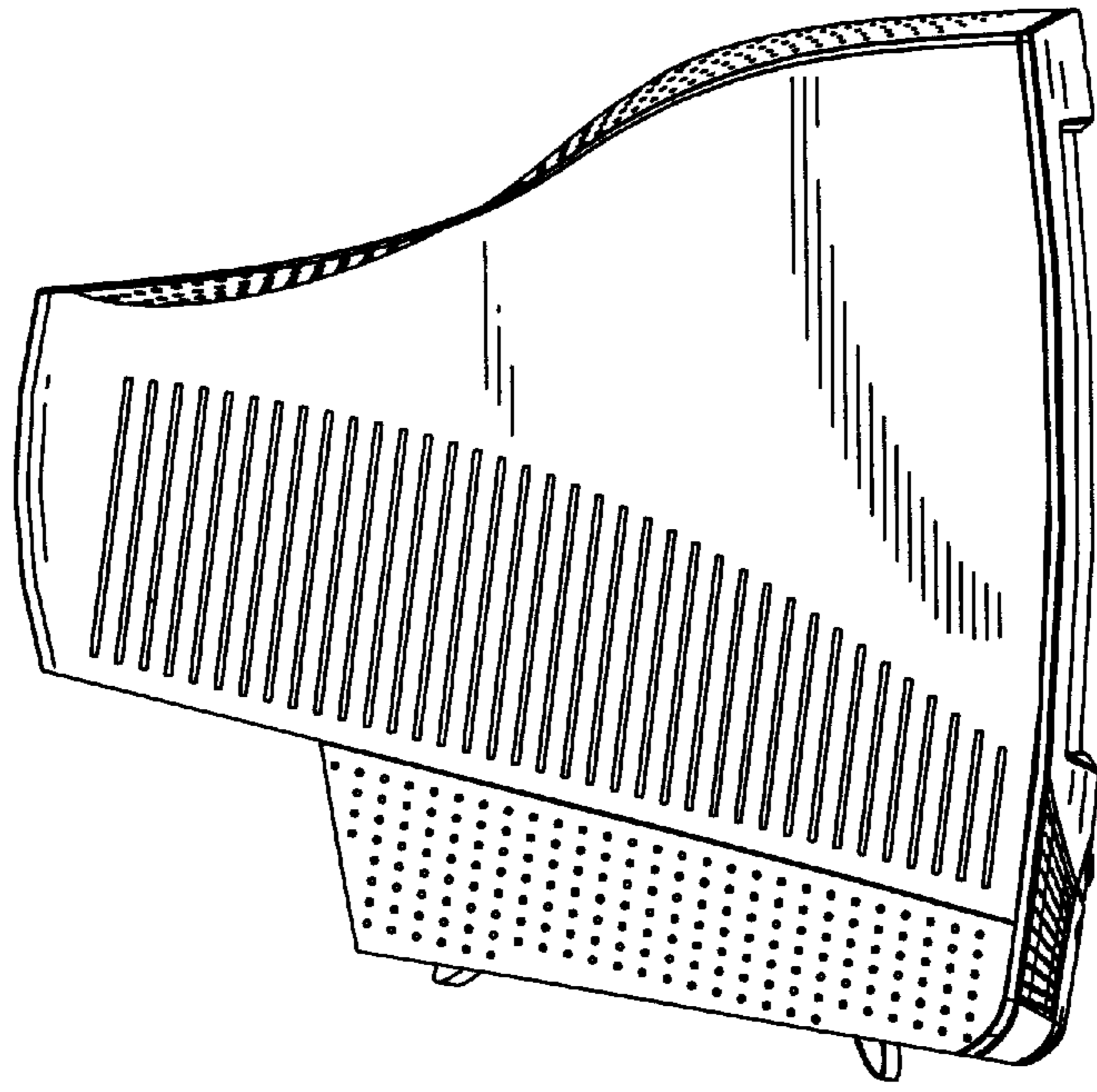


FIG. 4

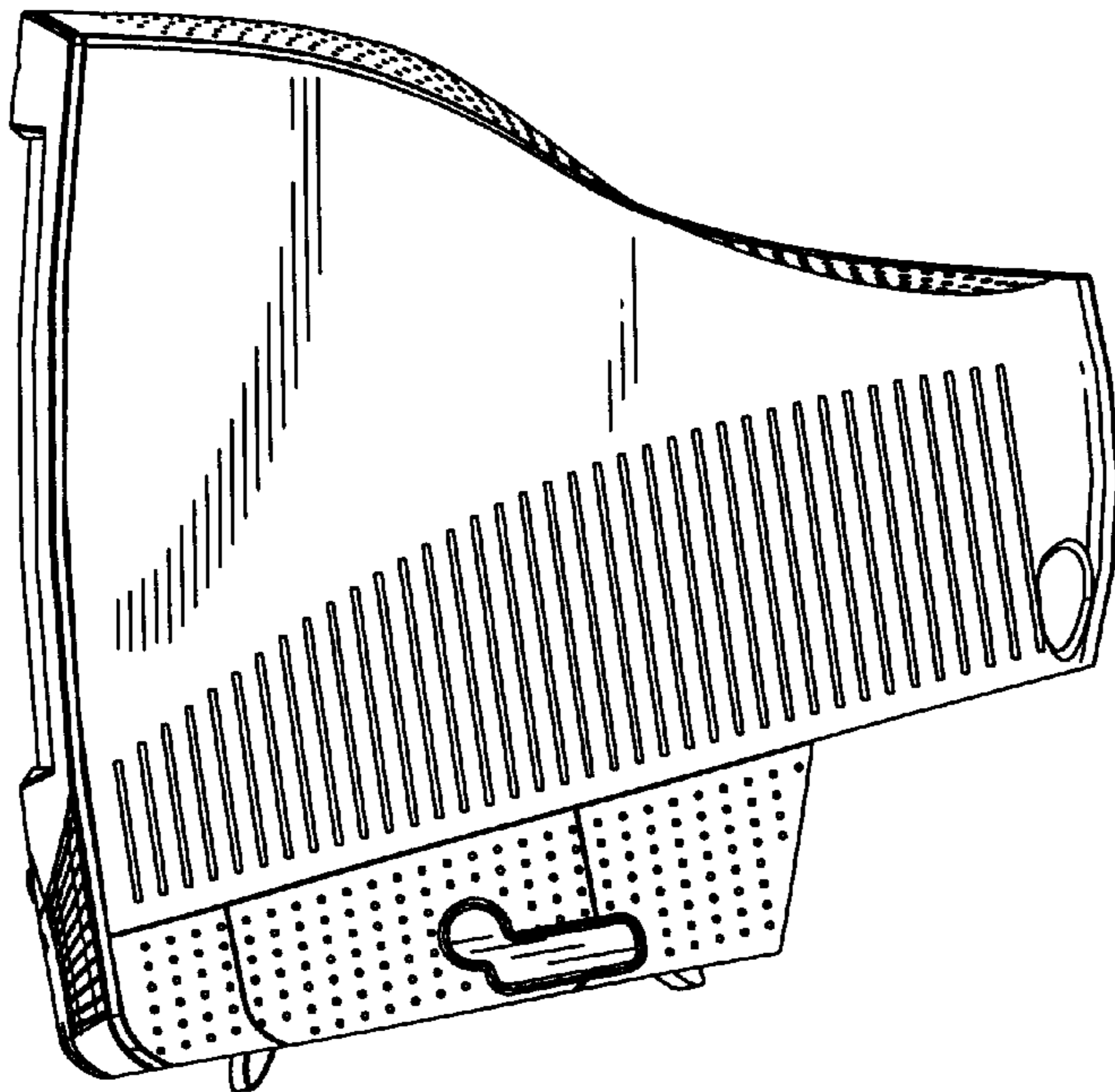


FIG. 5

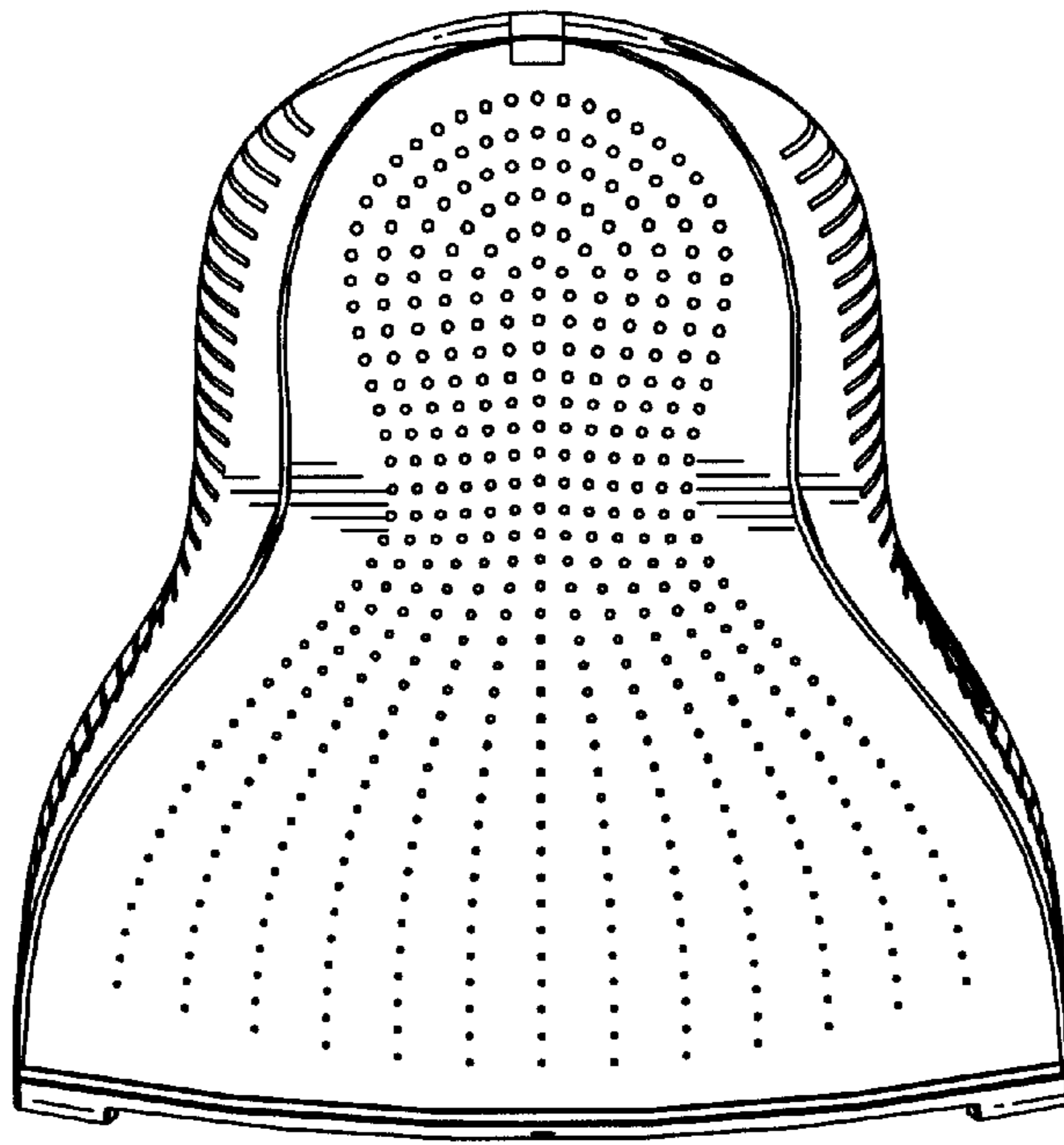


FIG. 6

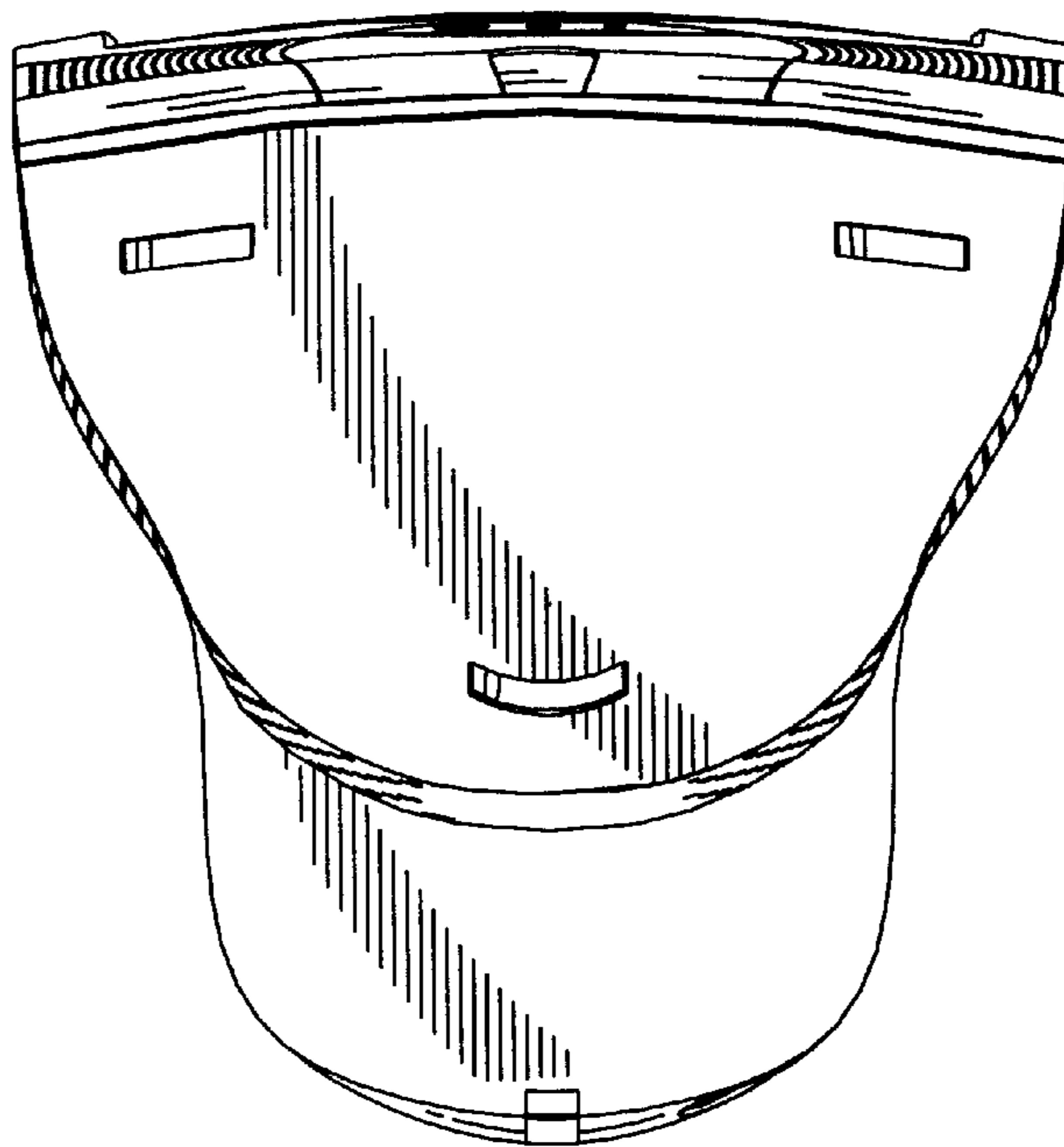


FIG. 7