



US00D443610S

(12) **United States Design Patent**
Lo

(10) **Patent No.:** **US D443,610 S**

(45) **Date of Patent:** **** Jun. 12, 2001**

(54) **HOUSING FOR A COMPUTER TERMINAL**

D. 358,171 * 5/1995 Cheng D19/60
D. 360,193 * 7/1995 Franzen D14/100

(75) Inventor: **Jammy Y. H. Lo, Kowloon (HK)**

* cited by examiner

(73) Assignee: **Vtech Electronics Limited (HK)**

Primary Examiner—Freda Nunn

(**) Term: **14 Years**

(74) *Attorney, Agent, or Firm*—Dick & Harris

(21) Appl. No.: **29/105,086**

(57) **CLAIM**

(22) Filed: **May 17, 1999**

The ornamental design for a housing for a computer terminal, as shown and described.

(51) **LOC (7) Cl.** **14-02**

DESCRIPTION

(52) **U.S. Cl.** **D14/334**

(58) **Field of Search** D14/333, 334,
D14/335, 338, 339, 340; D18/1, 2, 7; 235/145 A,
145 R; 345/104, 156, 168, 173, 87, 901-905;
341/22, 23; 361/680-686; 364/708.1; 400/486,
489; D19/60, 59

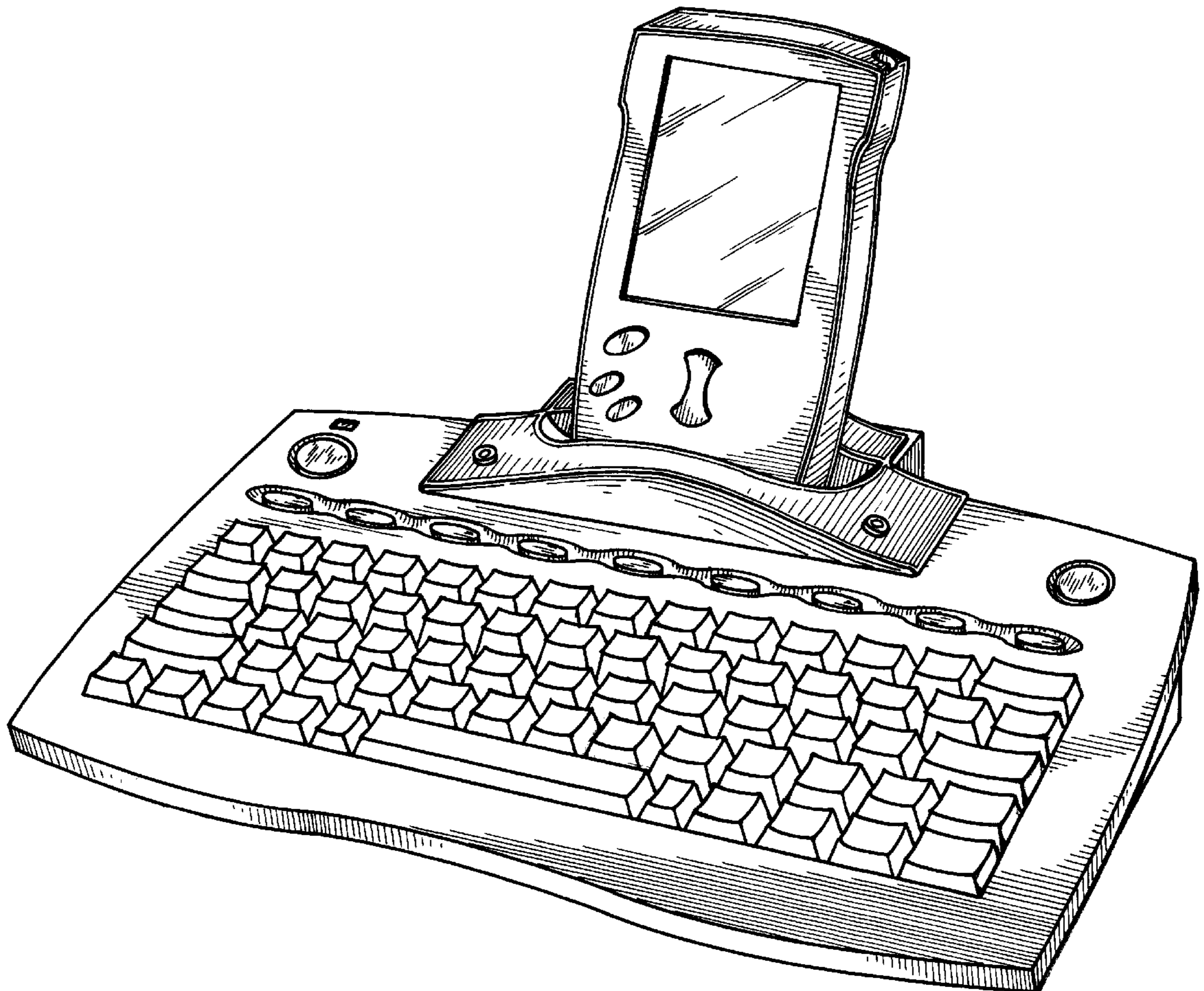
FIG. 1 is a top perspective view showing the housing for a computer terminal of my new ornamental design; FIG. 2 is a front elevation thereof; FIG. 3 is a rear elevation thereof; FIG. 4 is a left side elevation thereof; FIG. 5 is a right side elevation thereof; FIG. 6 is a top view thereof; and, FIG. 7 is a bottom view thereof.

(56) **References Cited**

U.S. PATENT DOCUMENTS

D. 330,048 * 10/1992 Cheung et al. D19/69

1 Claim, 3 Drawing Sheets



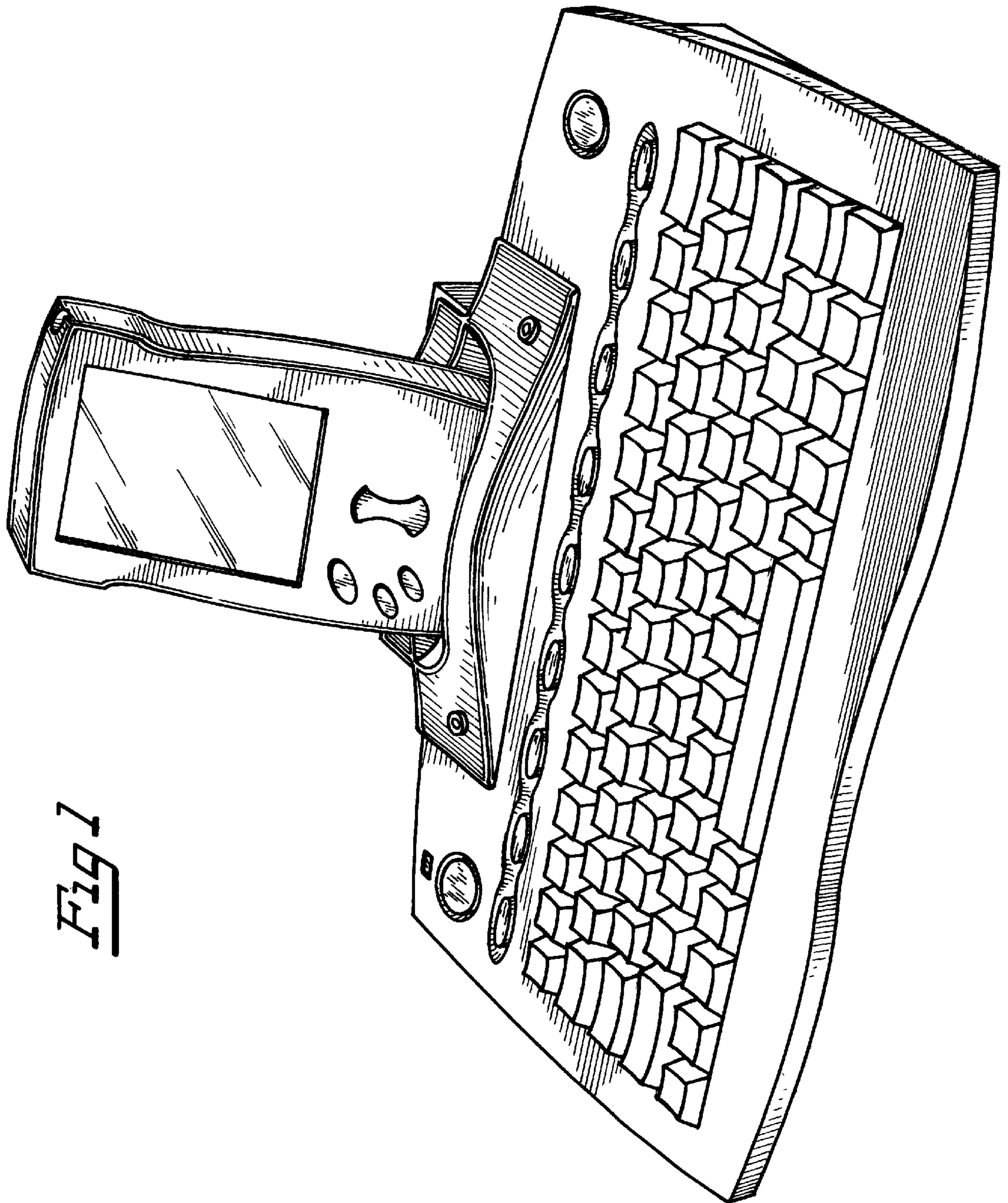


FIG 1

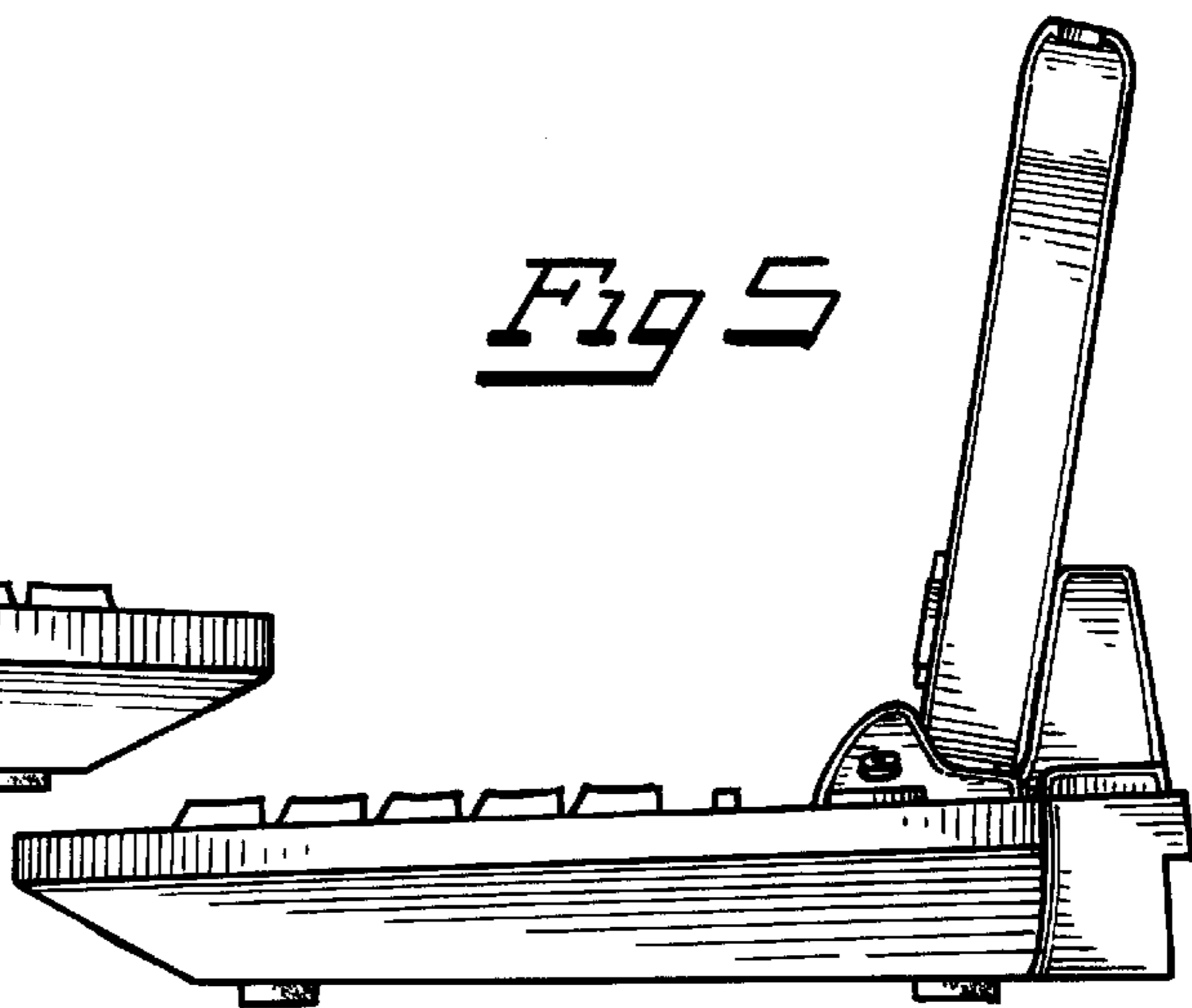
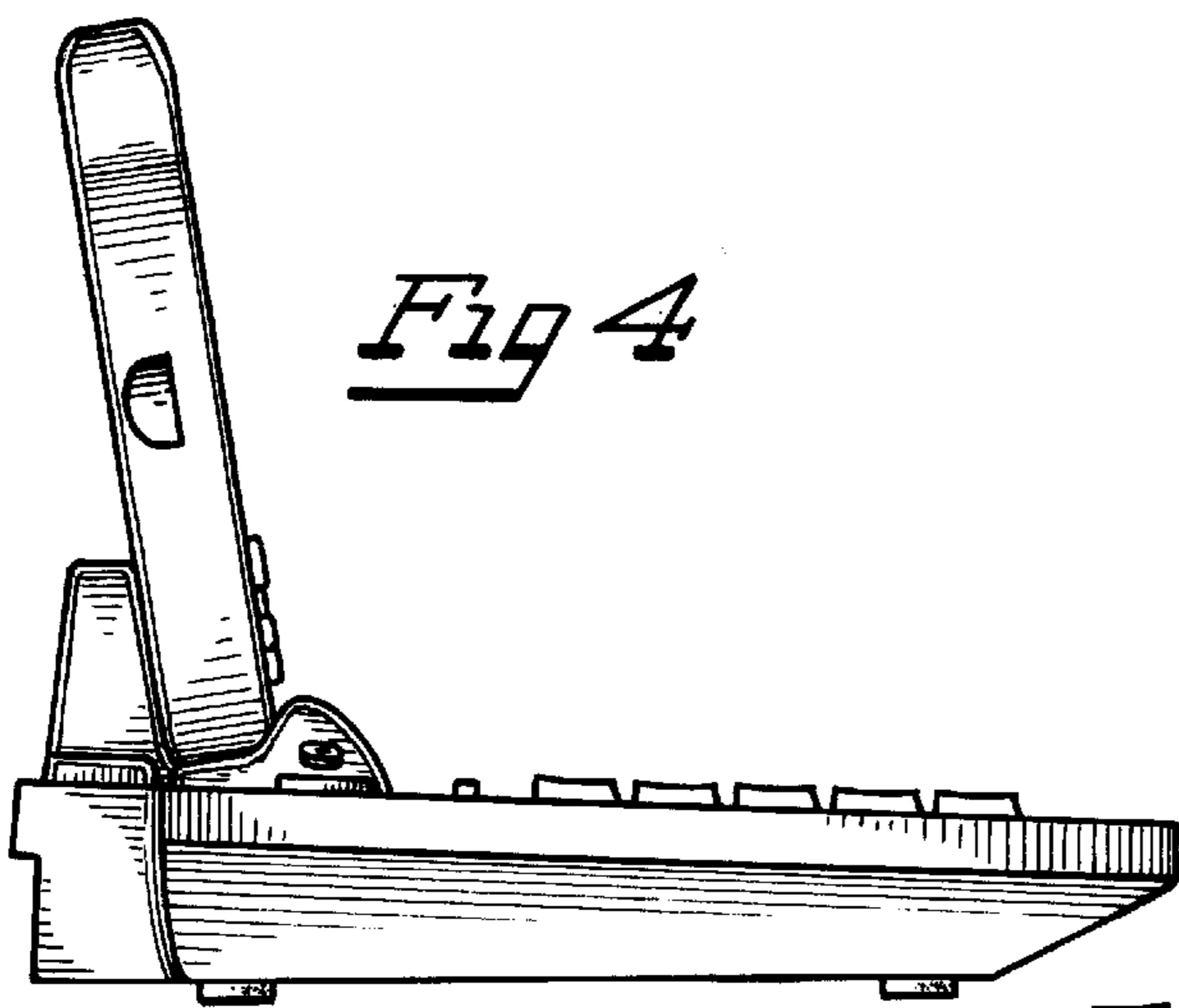
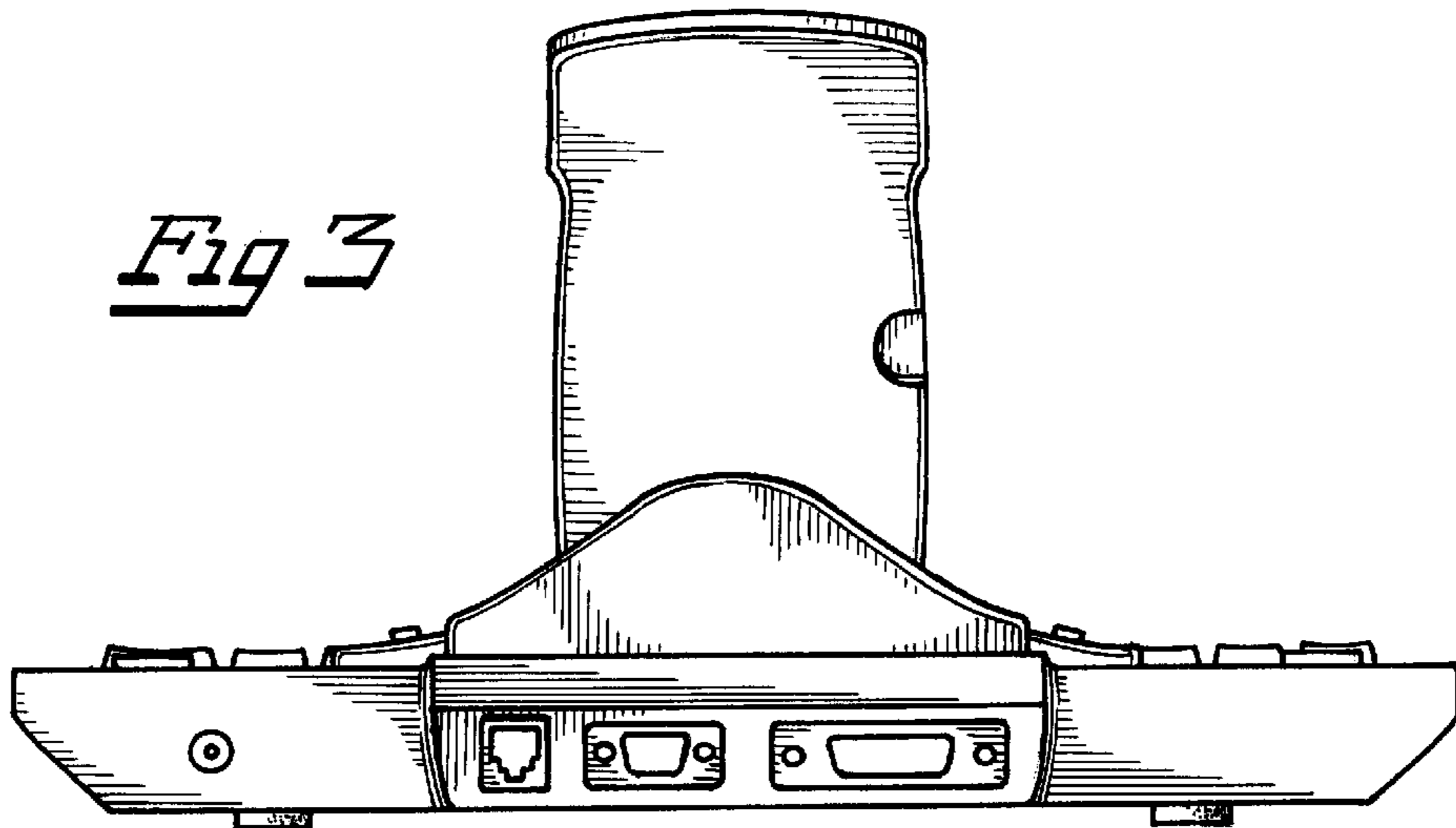
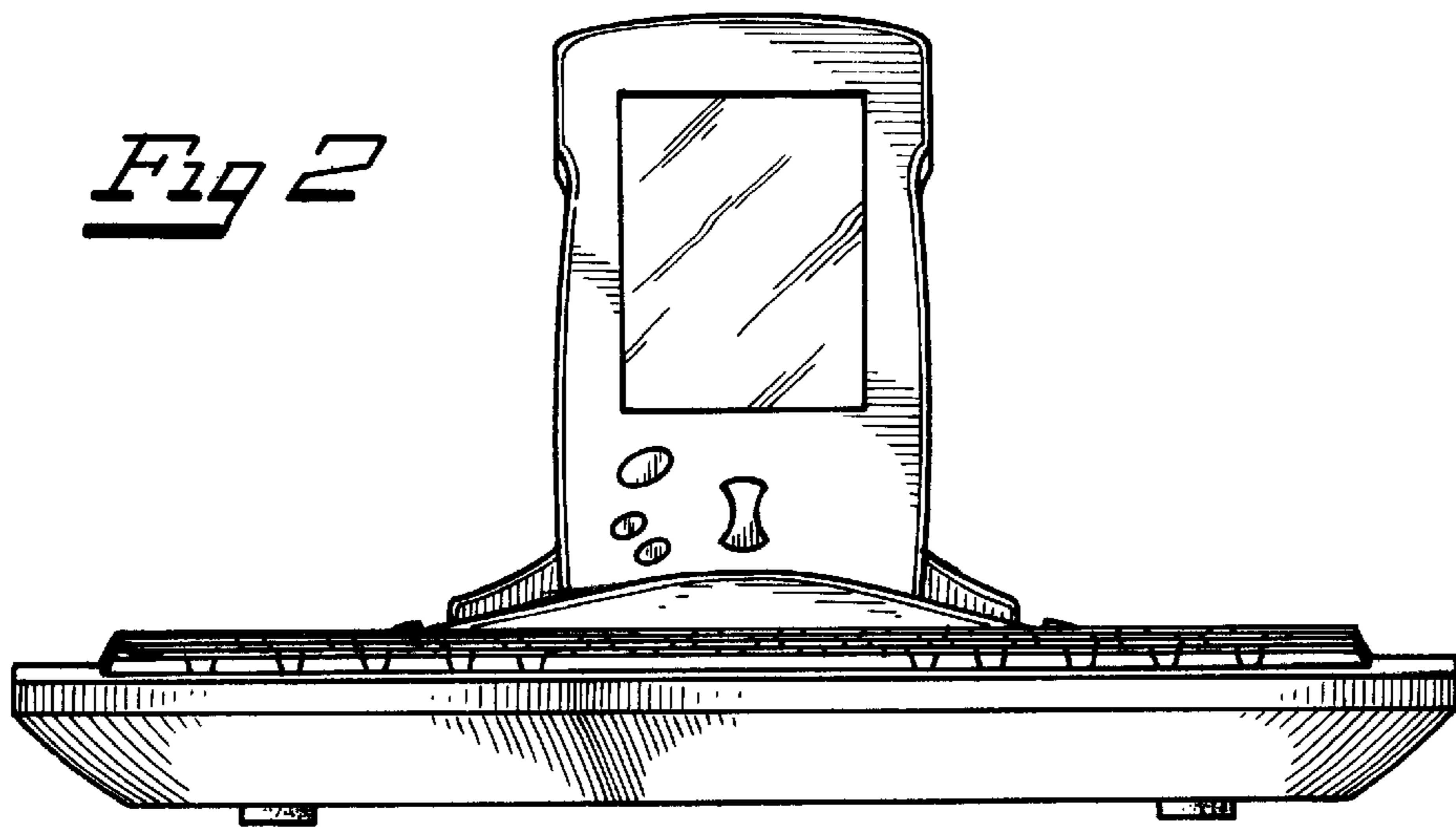


Fig 6

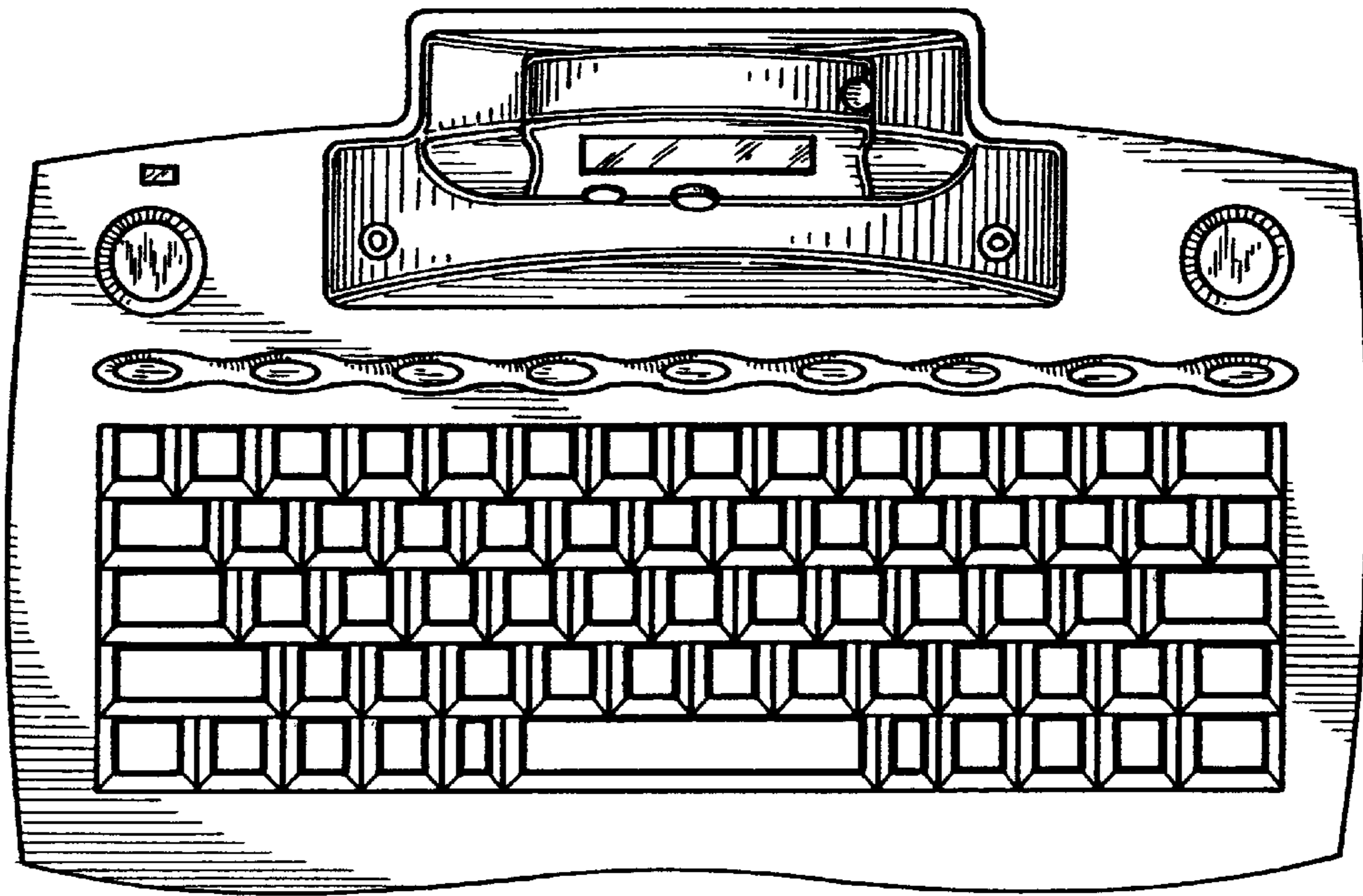


Fig 7

