



US00D443608S

(12) **United States Design Patent**
Omori

(10) **Patent No.:** **US D443,608 S**

(45) **Date of Patent:** **** Jun. 12, 2001**

(54) **FRONT PORTION OF A DISC PLAYER**

(75) Inventor: **Kiyoshi Omori**, Tokyo (JP)

(73) Assignee: **Sony Corporation**, Tokyo (JP)

(**) Term: **14 Years**

(21) Appl. No.: **29/115,956**

(22) Filed: **Dec. 27, 1999**

(30) **Foreign Application Priority Data**

Jul. 2, 1999 (JP) 11-17770

(51) **LOC (7) Cl.** **14-99**

(52) **U.S. Cl.** **D14/257**

(58) **Field of Search** D14/135, 136,
D14/156, 157, 160-162, 164, 167-168,
188, 257, 258; 369/75.1, 75.2, 77.1, 77.2;
455/347-350

(56) **References Cited**

U.S. PATENT DOCUMENTS

- D. 270,531 * 9/1983 Ekuan D14/156 X
- D. 311,404 * 10/1990 Repasky D14/156 X
- D. 321,189 * 10/1991 Ito et al. D14/156

- 4,695,996 * 9/1987 Sugihara et al. 369/77.1
- 5,689,490 * 11/1997 Pollard 369/77.2
- 5,862,468 * 1/1999 Kim 455/348 X

FOREIGN PATENT DOCUMENTS

1046359 8/1999 (JP) .

* cited by examiner

Primary Examiner—Nanda Bondade

(74) *Attorney, Agent, or Firm*—Rader, Fishman & Grauer

(57) **CLAIM**

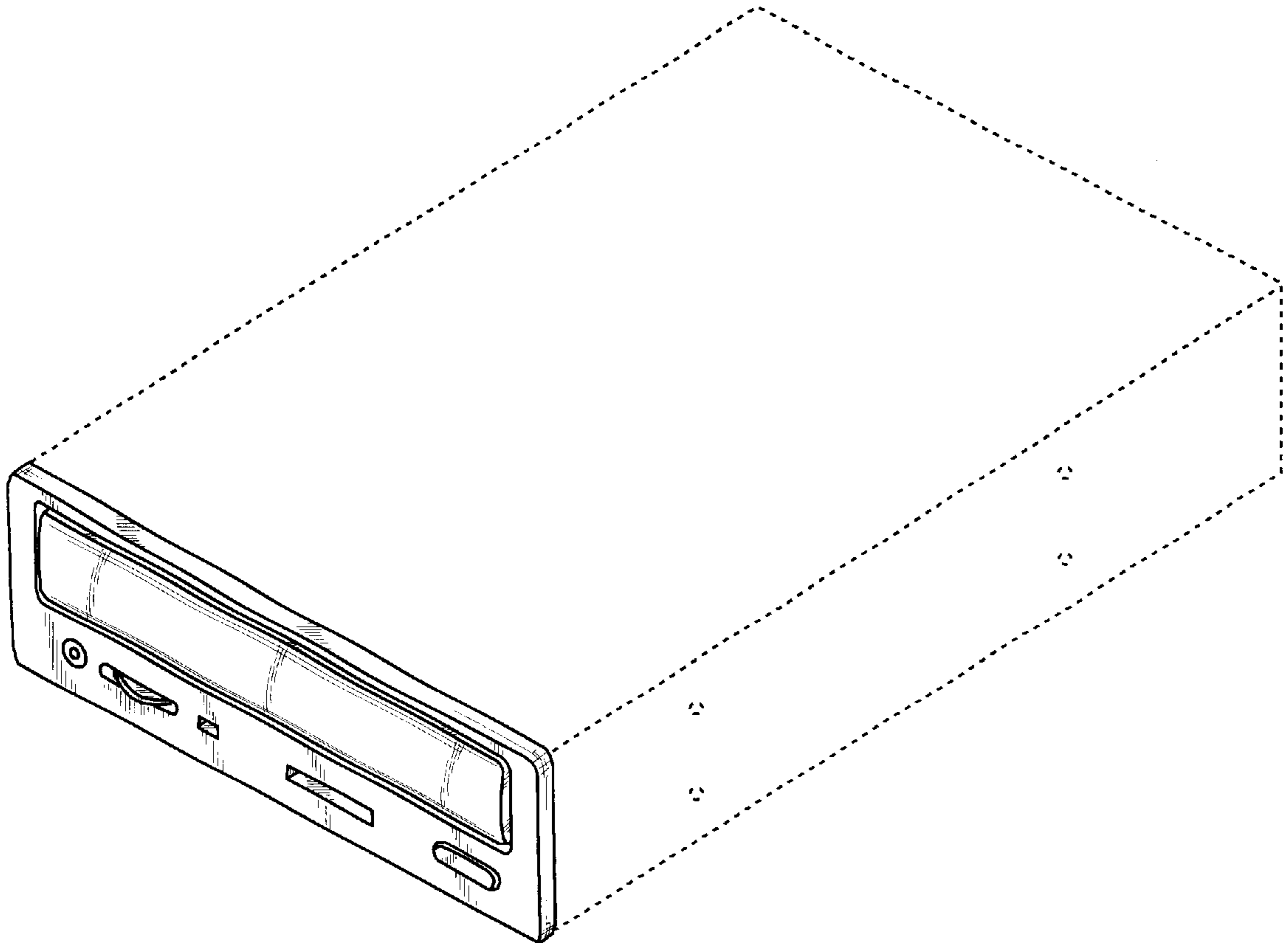
The ornamental design for a front portion of a disc player, as shown and described.

DESCRIPTION

FIG. 1 is a perspective view of a front portion of a disc player showing my new design;
 FIG. 2 is a top plan view thereof;
 FIG. 3 is a bottom plan view thereof;
 FIG. 4 is a left side elevational view thereof;
 FIG. 5 is a right side elevational view thereof; and,
 FIG. 6 is a front elevational view thereof.

The body portions in broken lines are for illustrative purposes only and form no part of claimed design.

1 Claim, 3 Drawing Sheets



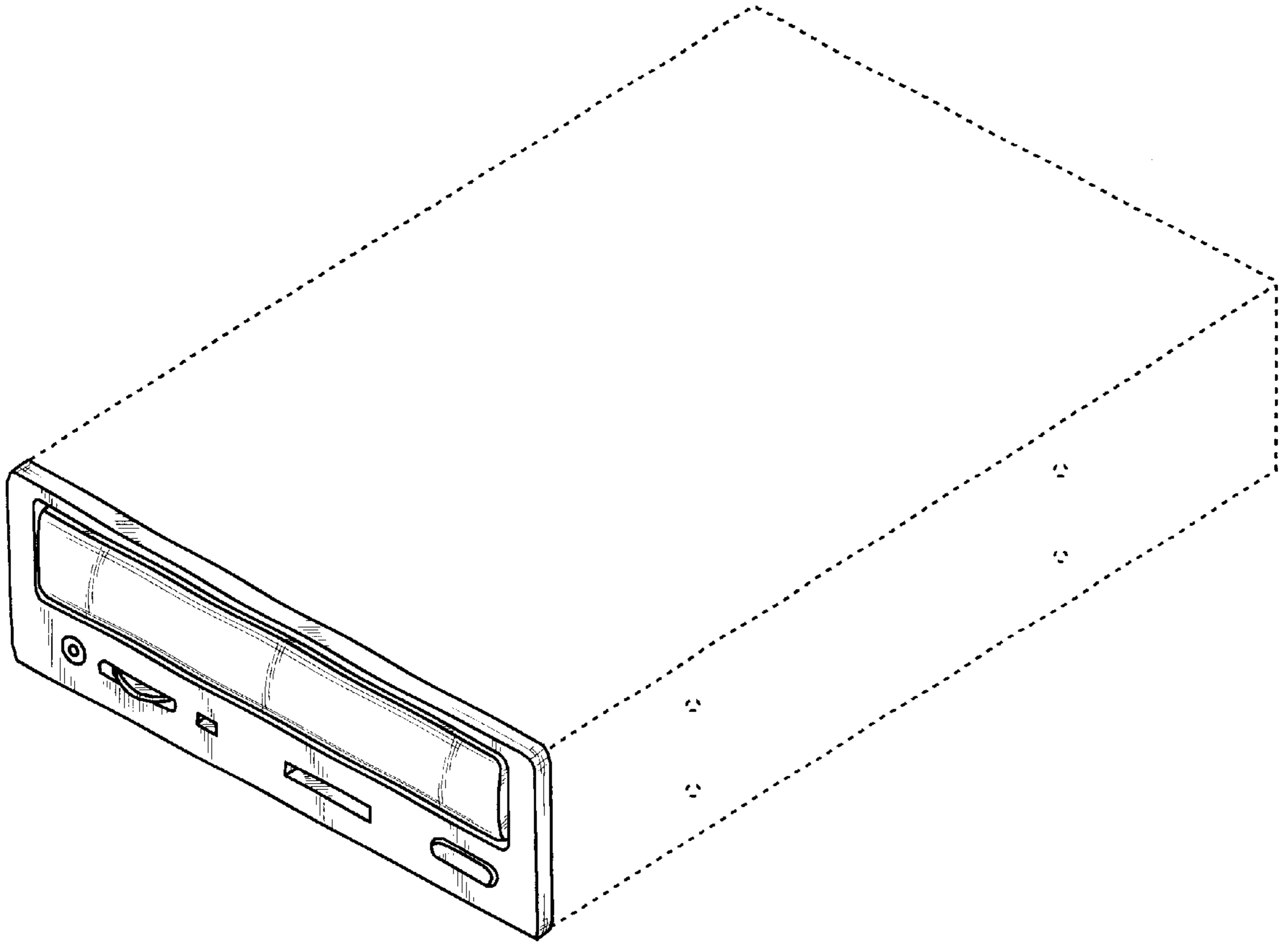


Fig. 1



Fig. 2

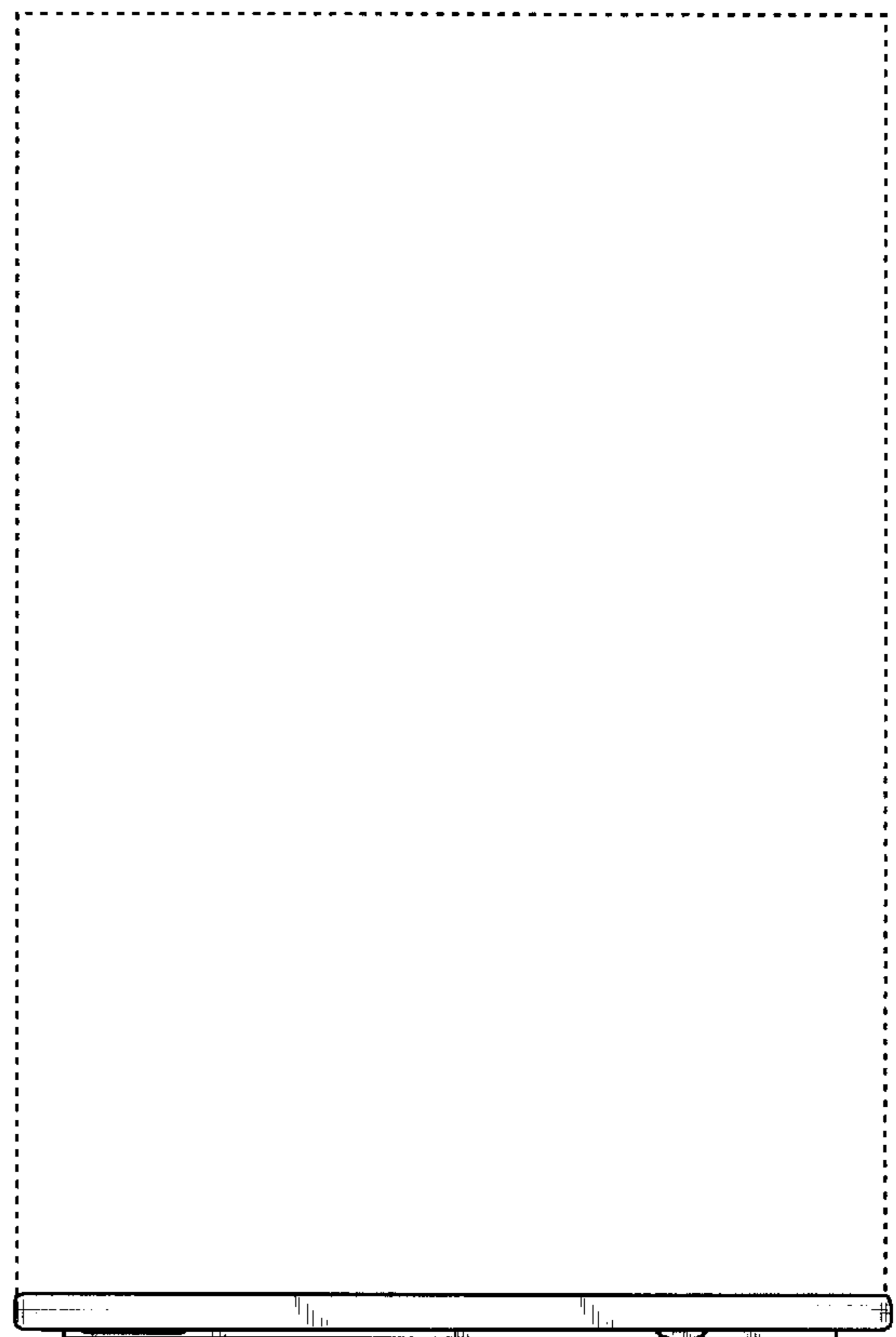


Fig. 3



Fig. 4



Fig. 5

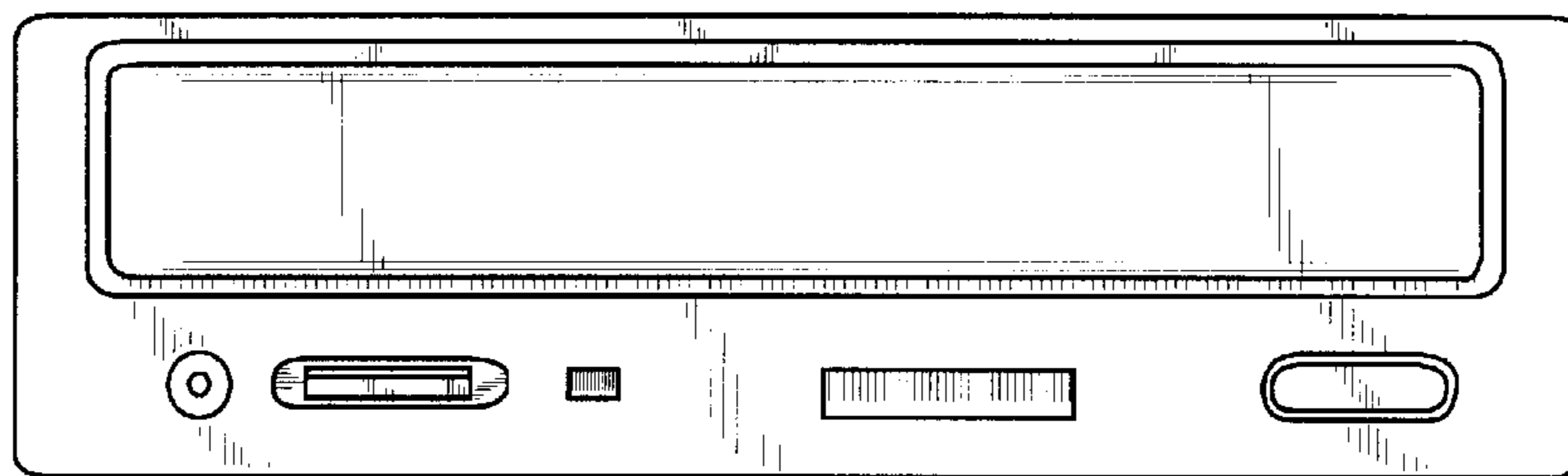


Fig. 6