



US00D443605S

(12) **United States Design Patent**
Chiang

(10) **Patent No.:** **US D443,605 S**

(45) **Date of Patent:** **** Jun. 12, 2001**

(54) **LOUDSPEAKER**

(75) Inventor: **Jung-Shan Chiang**, Taipei Hsien (TW)

(73) Assignee: **Jaton Technology Co., Ltd.**, Taipei Hsien (TW)

(**) Term: **14 Years**

(21) Appl. No.: **29/127,616**

(22) Filed: **Aug. 10, 2000**

(51) **LOC (7) Cl.** **14-01**

(52) **U.S. Cl.** **D14/215; D14/214**

(58) **Field of Search** D14/204, 207,
D14/210-216; 181/144-145, 147-148,
150, 153, 198-199; 381/300-302, 307,
332-336, 386

(56) **References Cited**

U.S. PATENT DOCUMENTS

D. 202,900 * 11/1965 Shaper D14/219

D. 425,896 * 5/2000 Ito et al. D25/325
4,214,645 * 7/1980 Plourde 181/148
5,872,339 * 2/1999 Hanson 181/144

* cited by examiner

Primary Examiner—Nanda Bondade

(74) *Attorney, Agent, or Firm*—Bacon & Thomas, PLLC

(57) **CLAIM**

The ornamental design for a loudspeaker, as shown and described.

DESCRIPTION

FIG. 1 is a front and top perspective view of a loudspeaker showing my new design.

FIG. 2 is a front elevational view thereof;

FIG. 3 is a rear elevational view thereof;

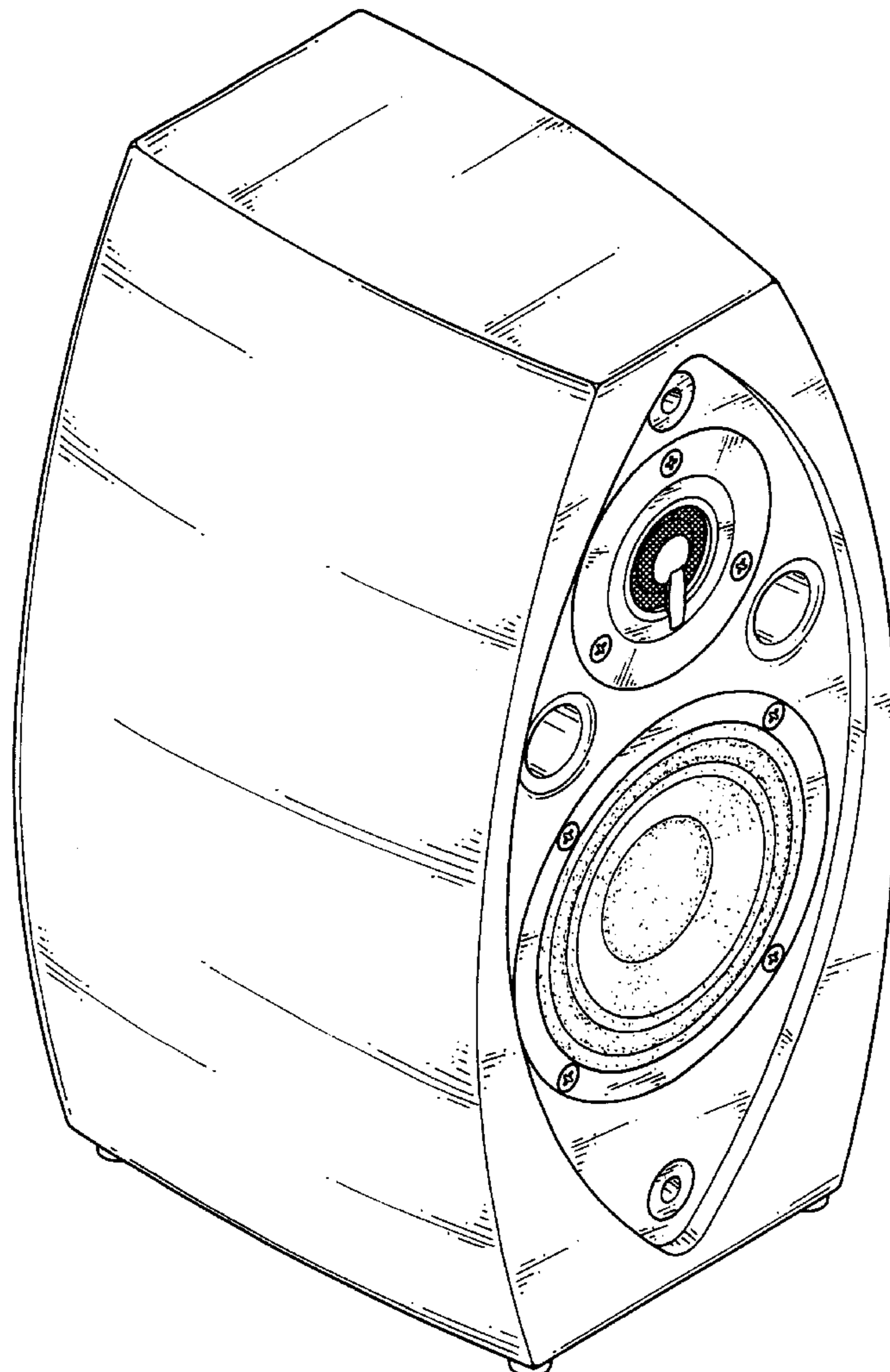
FIG. 4 is a left side elevational view thereof;

FIG. 5 is a right side elevational view thereof;

FIG. 6 is a top plan view thereof; and,

FIG. 7 is a bottom plan view thereof.

1 Claim, 7 Drawing Sheets



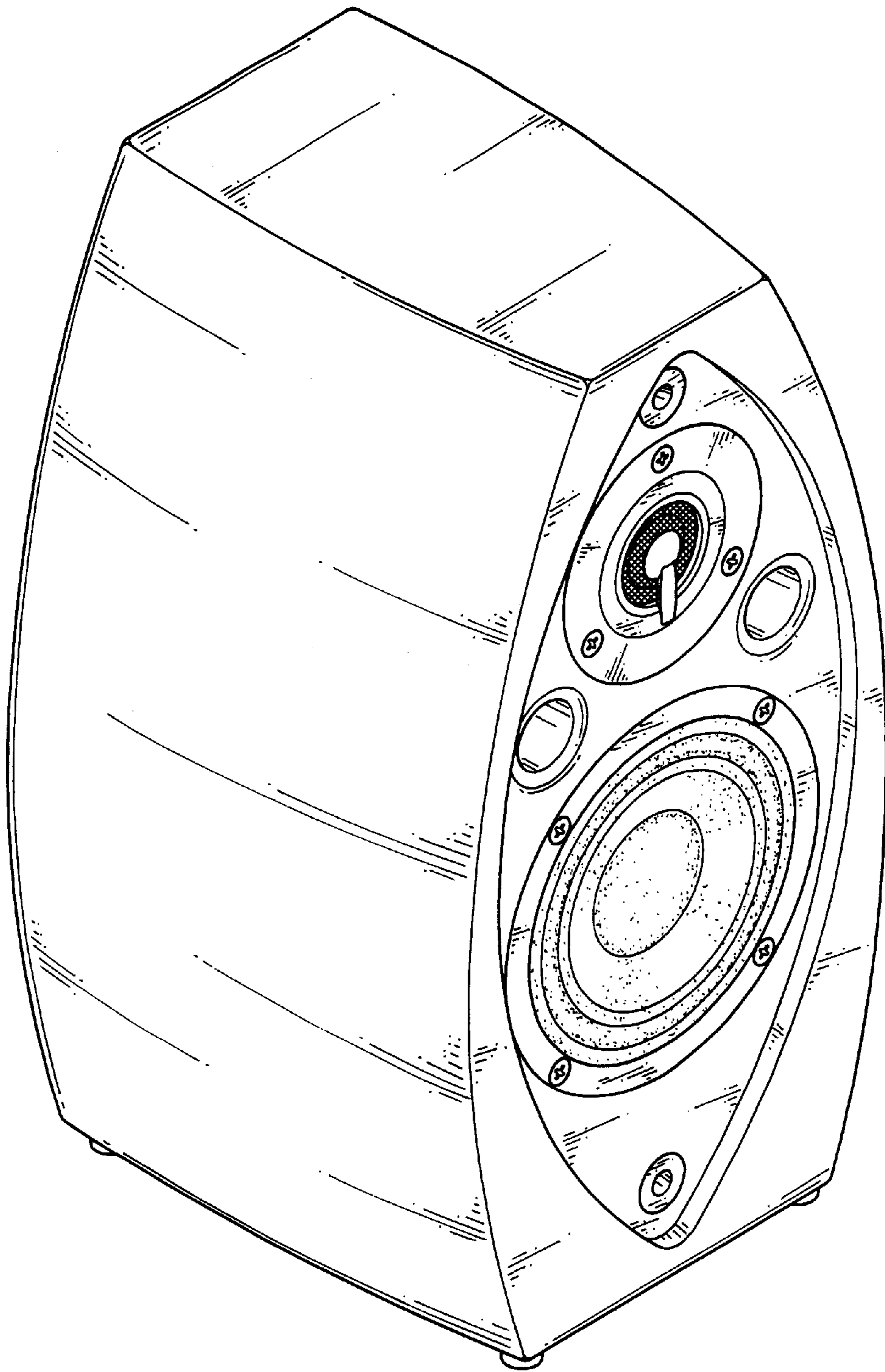


FIG. 1

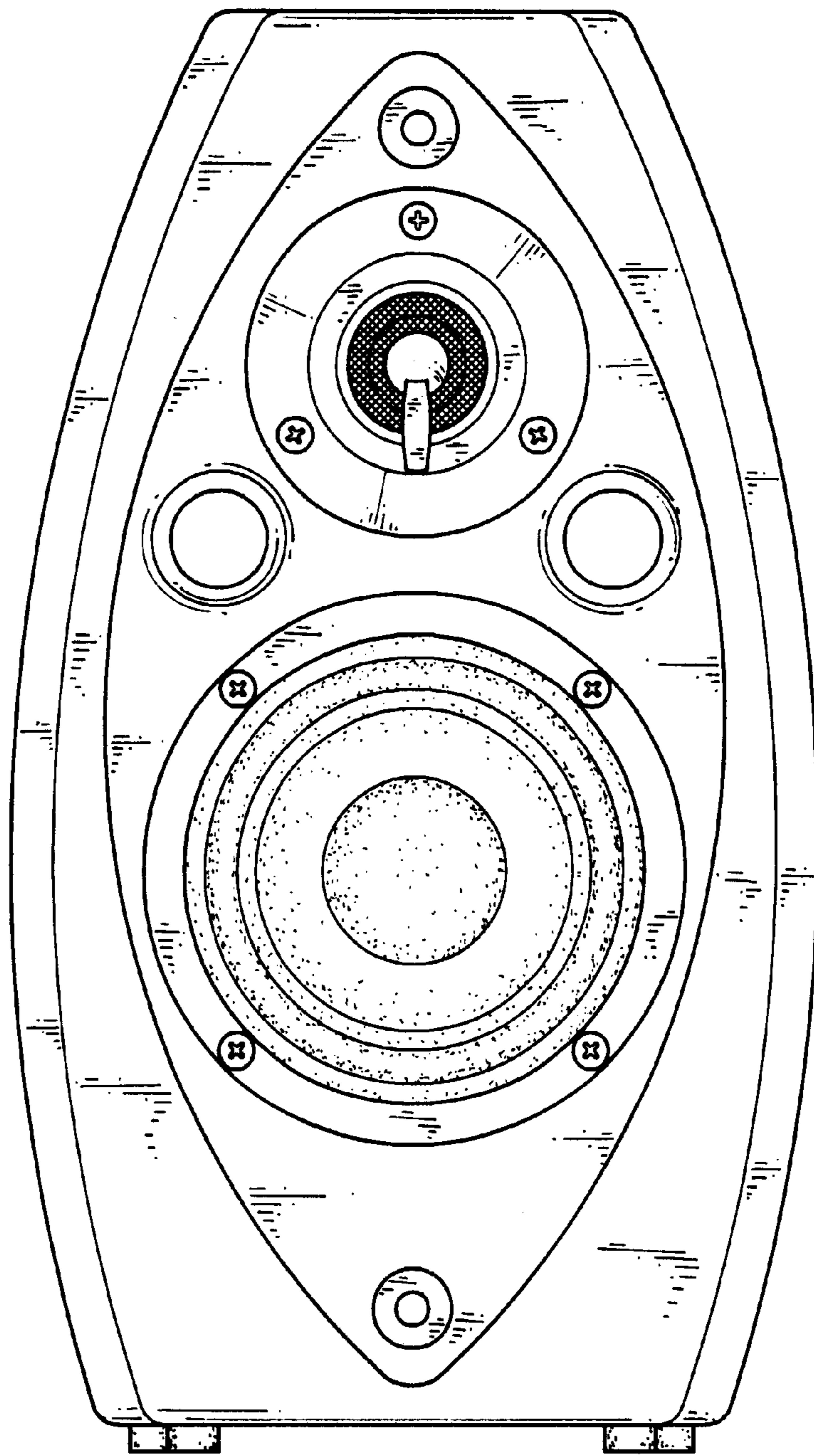


FIG. 2

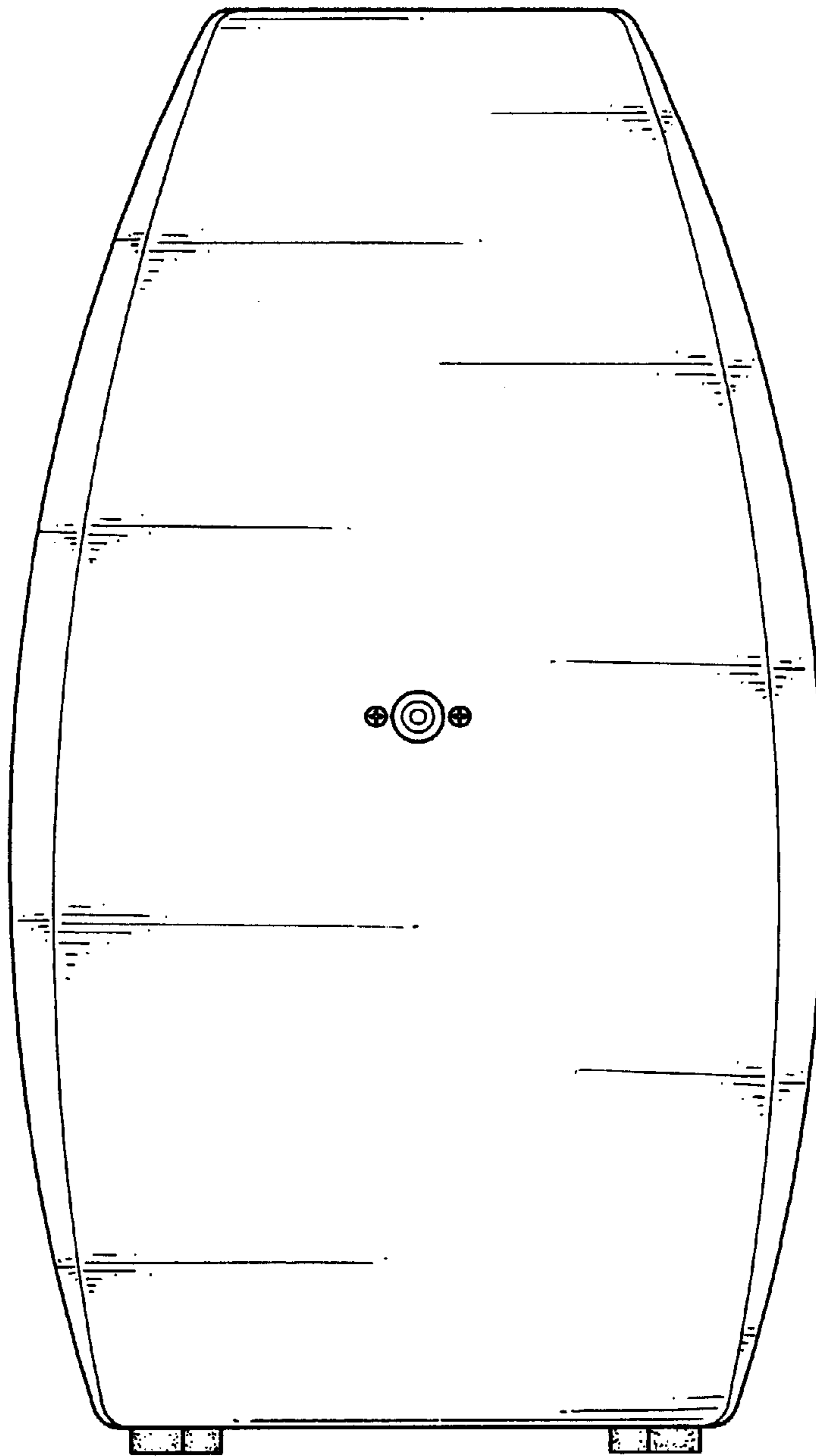


FIG. 3

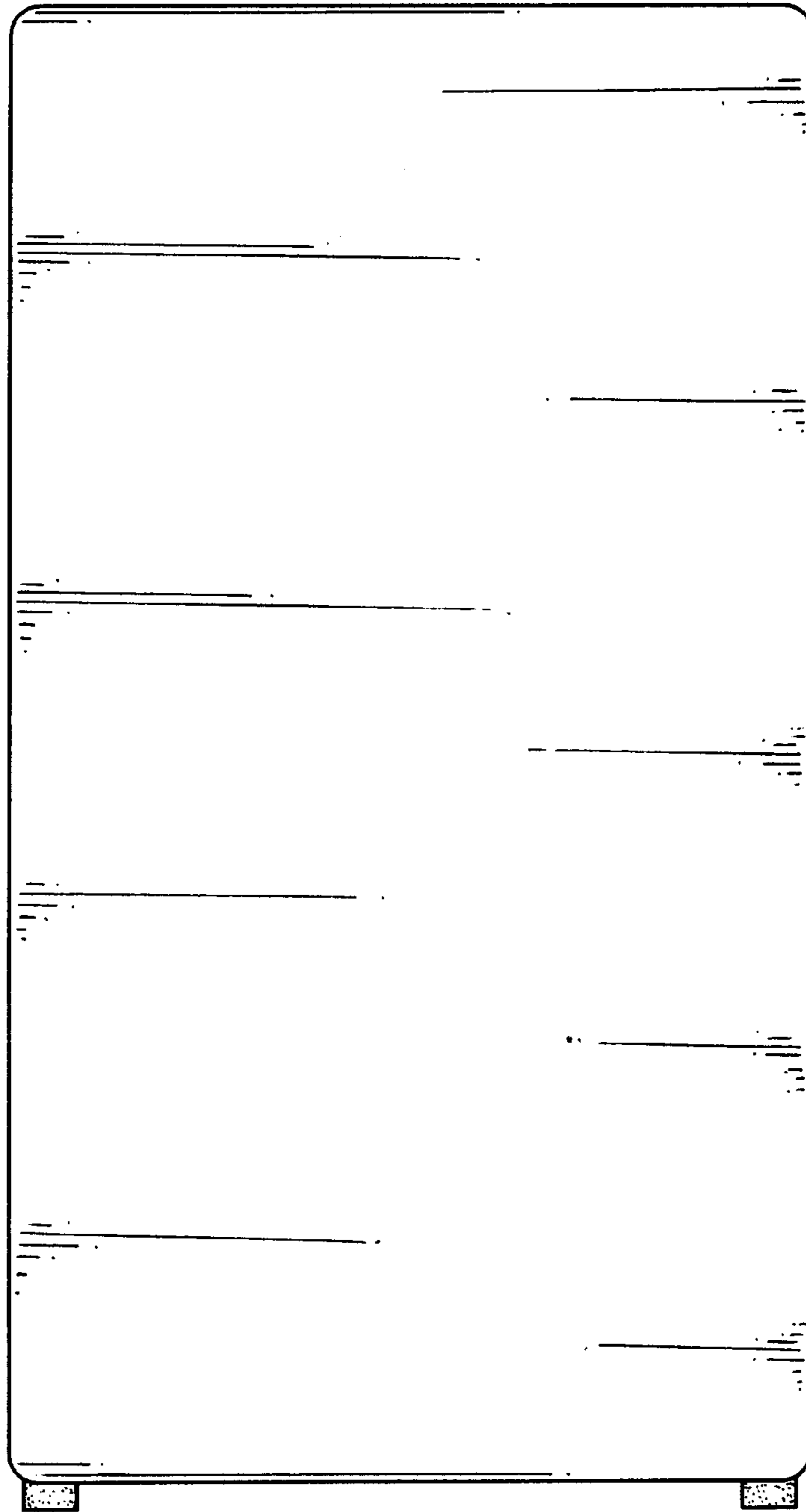


FIG. 4

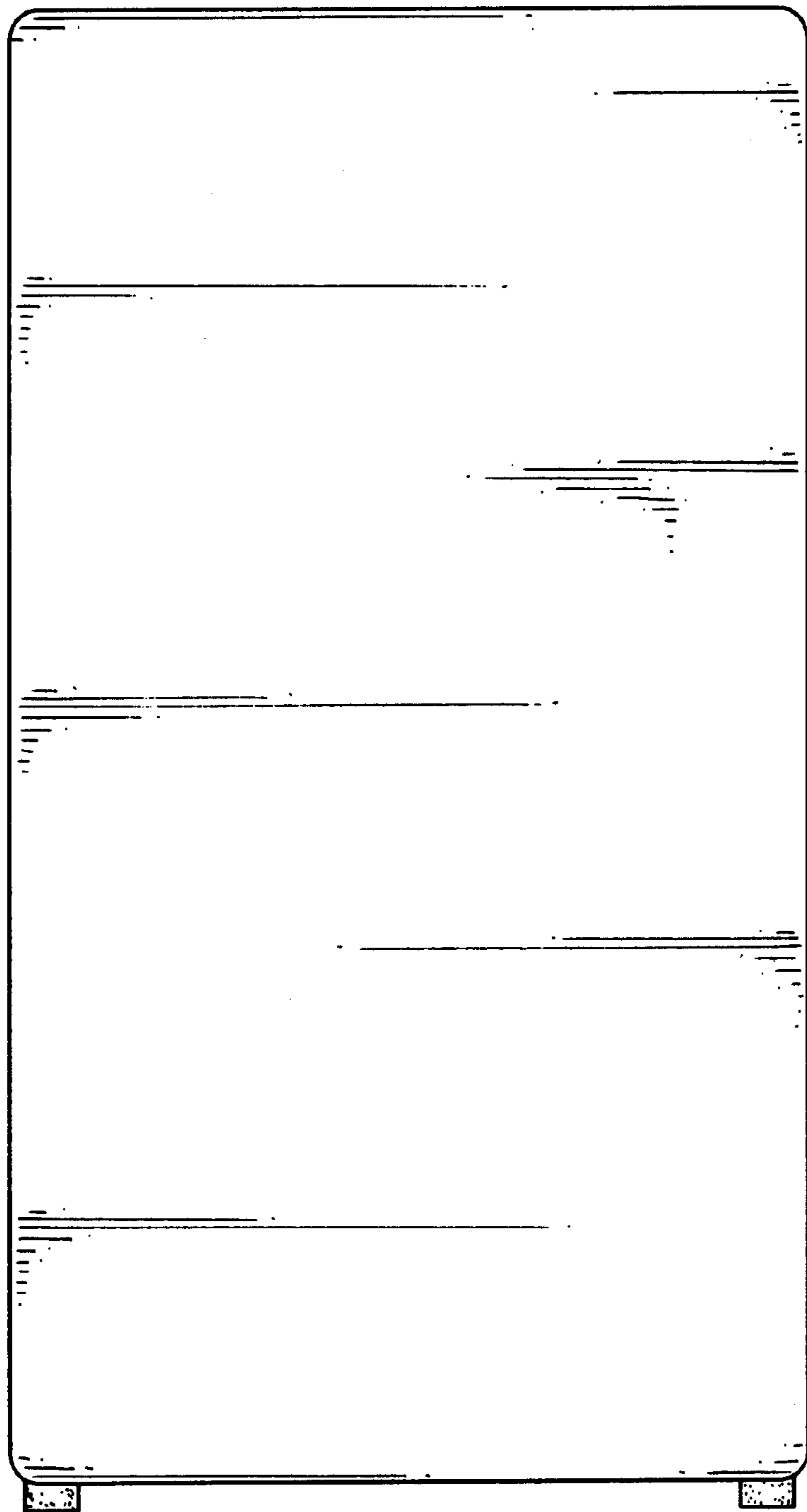


FIG. 5

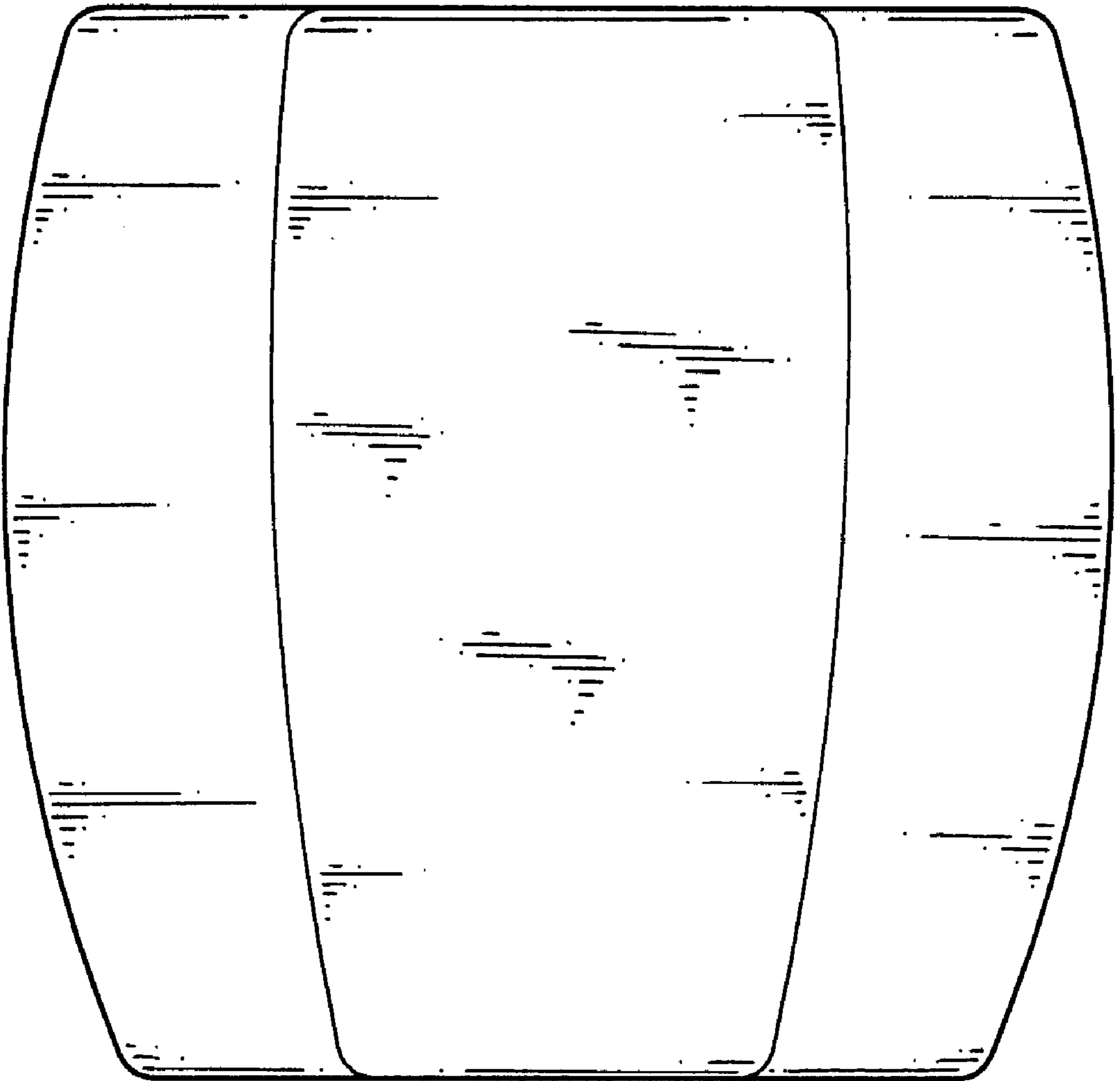


FIG. 6

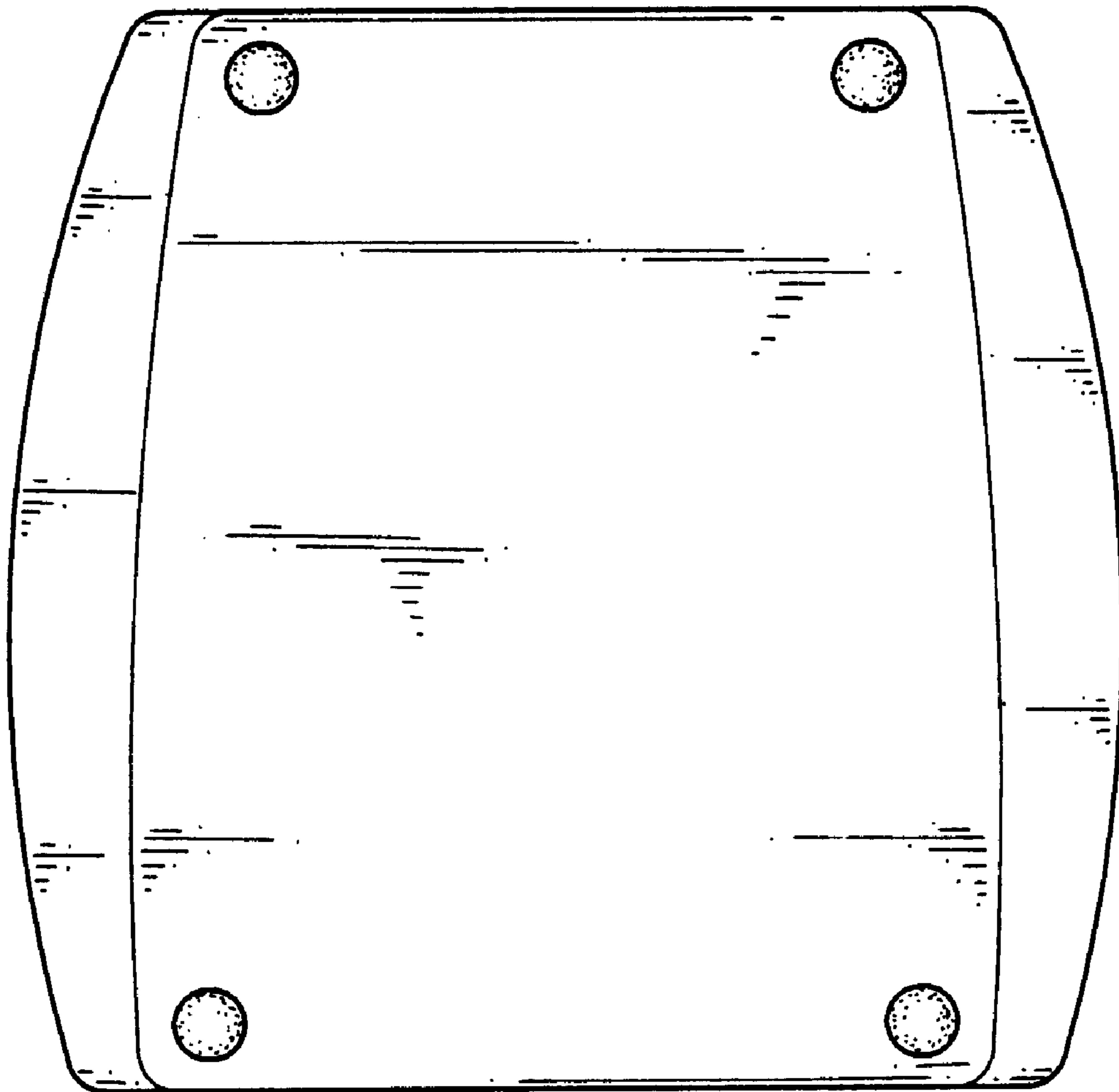


FIG. 7