



US00D443599S

(12) **United States Design Patent**  
**Isono**

(10) **Patent No.:** **US D443,599 S**

(45) **Date of Patent:** **\*\* Jun. 12, 2001**

(54) **VIDEO TAPE RECORDER**

(75) Inventor: **Kazuki Isono**, Tokyo (JP)

(73) Assignee: **Rader, Fishman & Grauer**, Tokyo (JP)

(\*\*) Term: **14 Years**

(21) Appl. No.: **29/090,408**

(22) Filed: **Jul. 8, 1998**

(30) **Foreign Application Priority Data**

Jan. 9, 1998 (JP) ..... 10-163

(51) **LOC (7) Cl.** ..... **14-01**

(52) **U.S. Cl.** ..... **D14/135**

(58) **Field of Search** ..... D14/124, 135,  
D14/136, 156, 160, 239; 386/46; 369/75.1

(56) **References Cited**

**U.S. PATENT DOCUMENTS**

- D. 339,121 \* 9/1993 Takemoto et al. .... D14/135
- D. 339,125 \* 9/1993 Shimose et al. .... D14/135
- D. 344,941 \* 3/1994 Ogawa et al. .... D14/135
- D. 390,227 \* 2/1998 Uchiyama ..... D14/156

**OTHER PUBLICATIONS**

Sony "Catalog 85", model CDP-L3 (Mar. 1997).

Sony "Video Equipment 1998" pp. 215 and 269 (Jan. 1998).

\* cited by examiner

*Primary Examiner*—Ted Shooman

*Assistant Examiner*—C Tuttle

(74) *Attorney, Agent, or Firm*—Rader, Fishman & Grauer

(57) **CLAIM**

The ornamental design for a video tape recorder, as shown and described.

**DESCRIPTION**

FIG. 1 is a perspective view of a video tape recorder showing my new design;

FIG. 2 is a top plan view thereof;

FIG. 3 is a left side elevational view thereof;

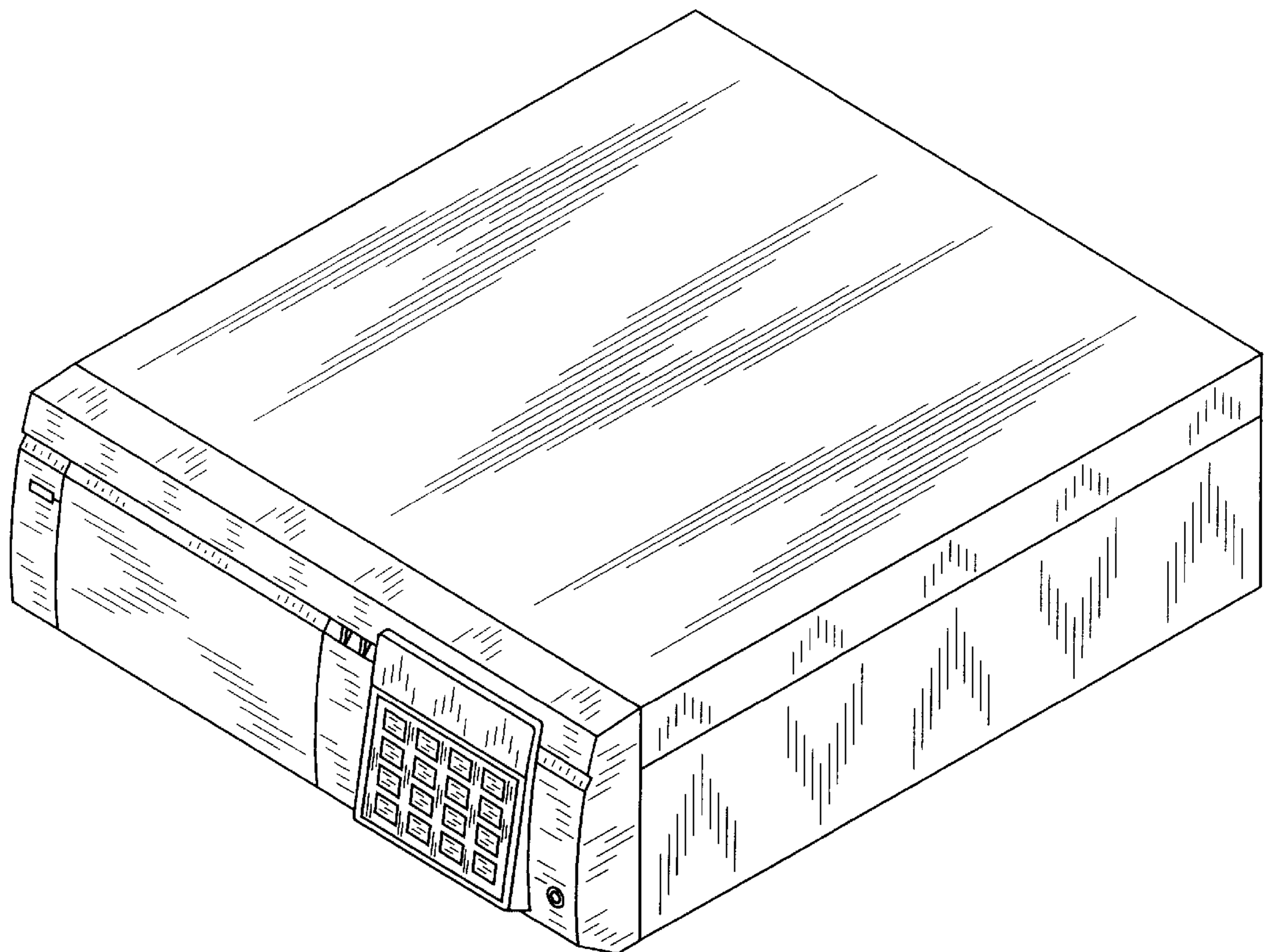
FIG. 4 is a front elevational view thereof;

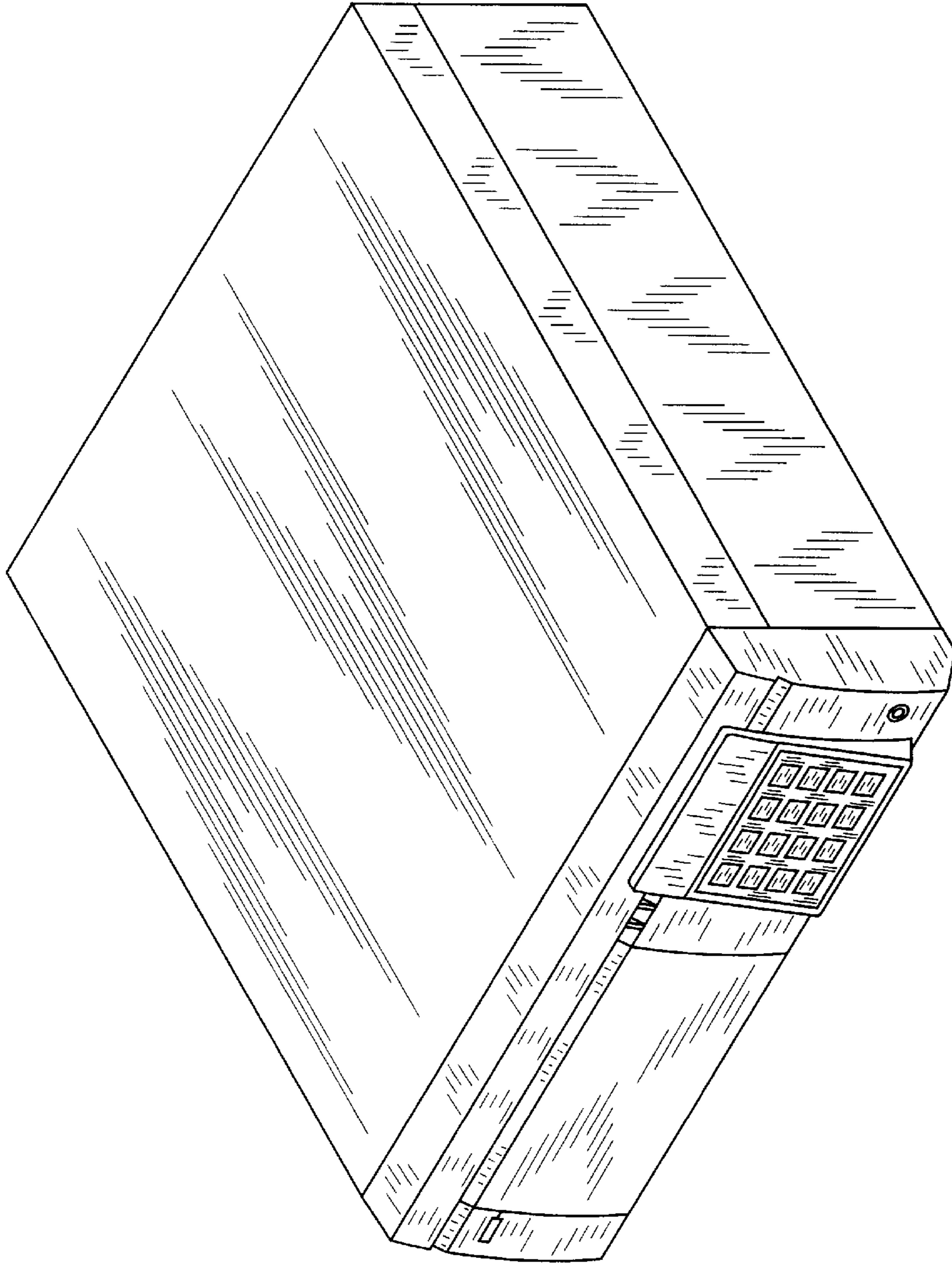
FIG. 5 is a bottom plan view shown on an enlarged scale;

FIG. 6 is a right side elevational view thereof; and,

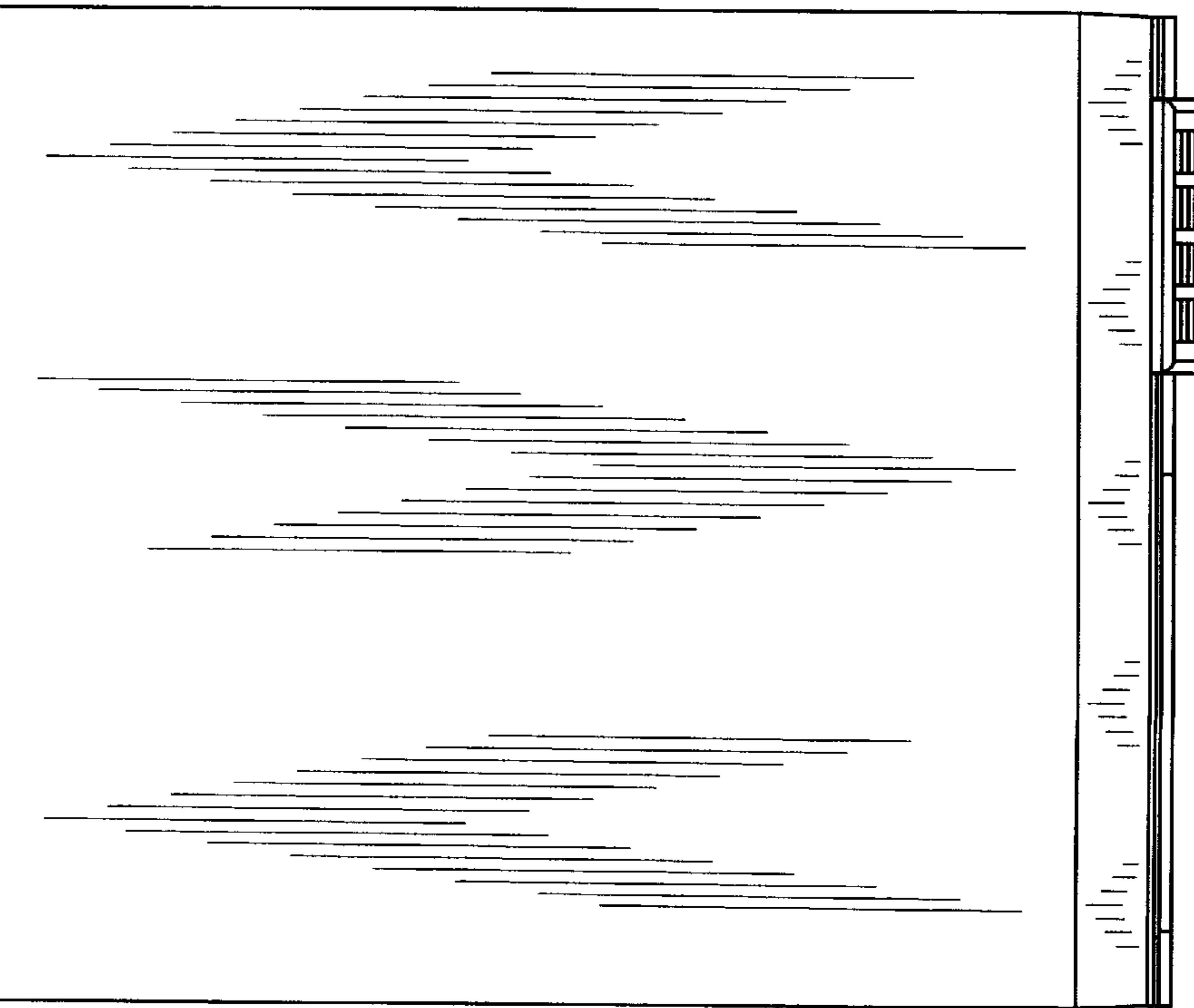
FIG. 7 is a rear elevational view thereof.

**1 Claim, 3 Drawing Sheets**

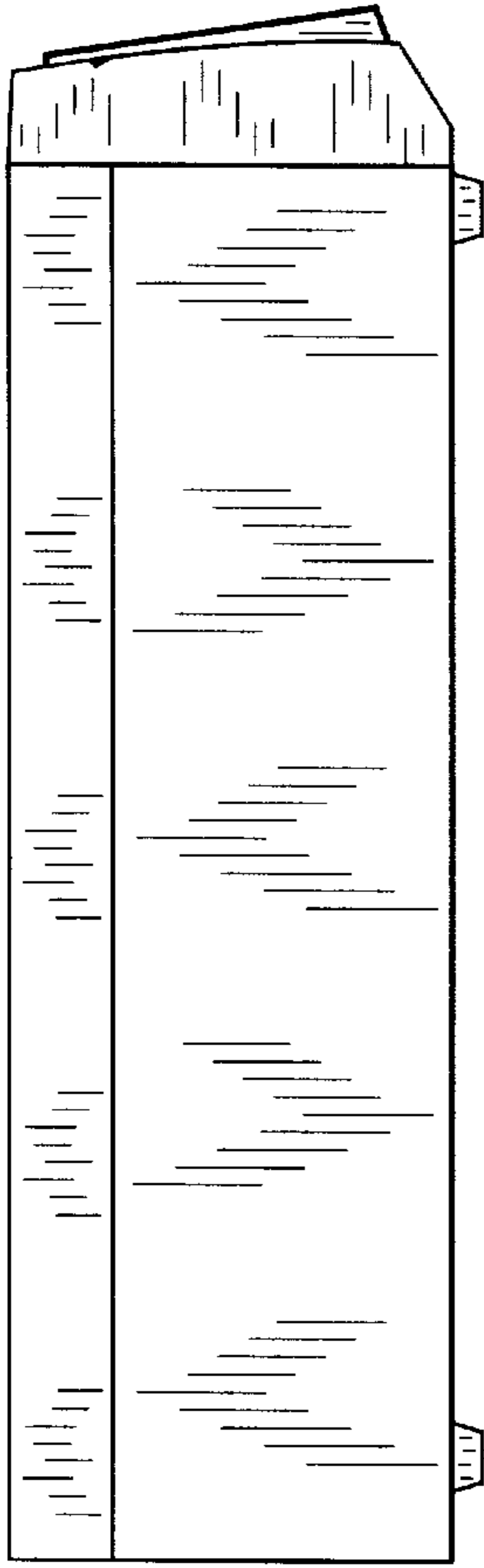




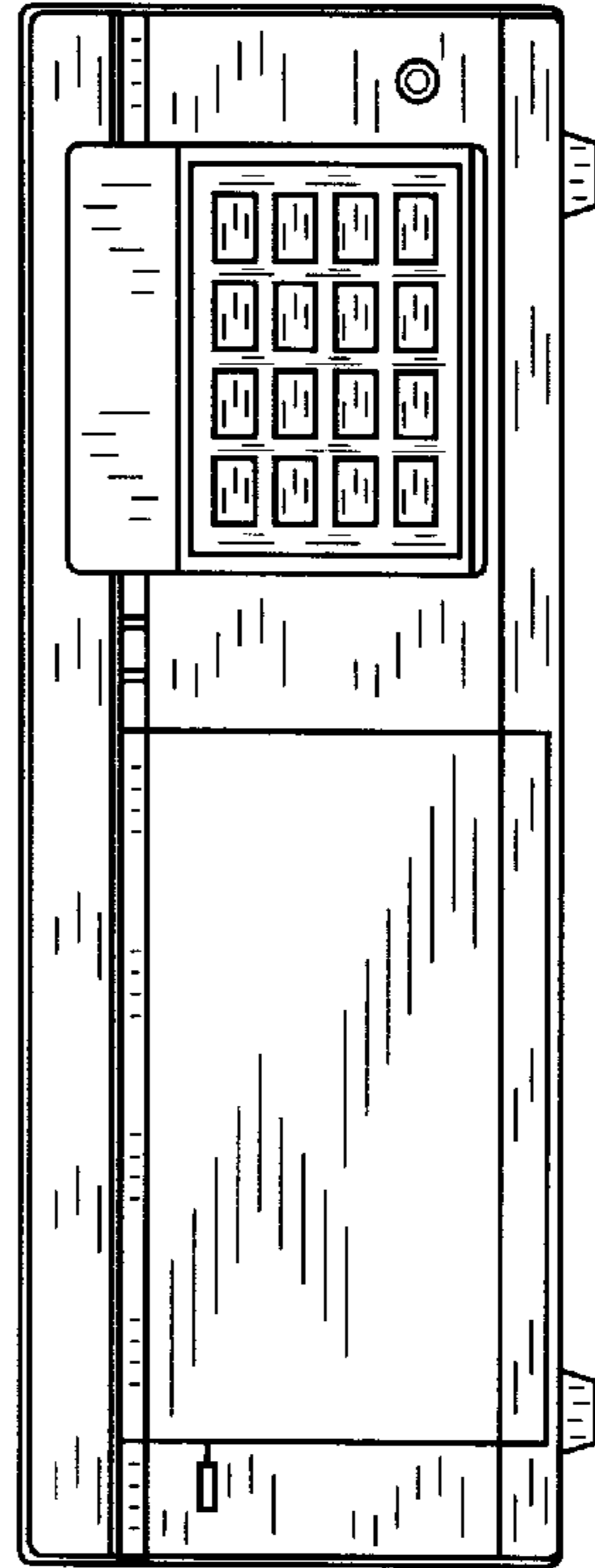
**FIG. 1**



**FIG. 2**



**FIG. 3**



**FIG. 4**

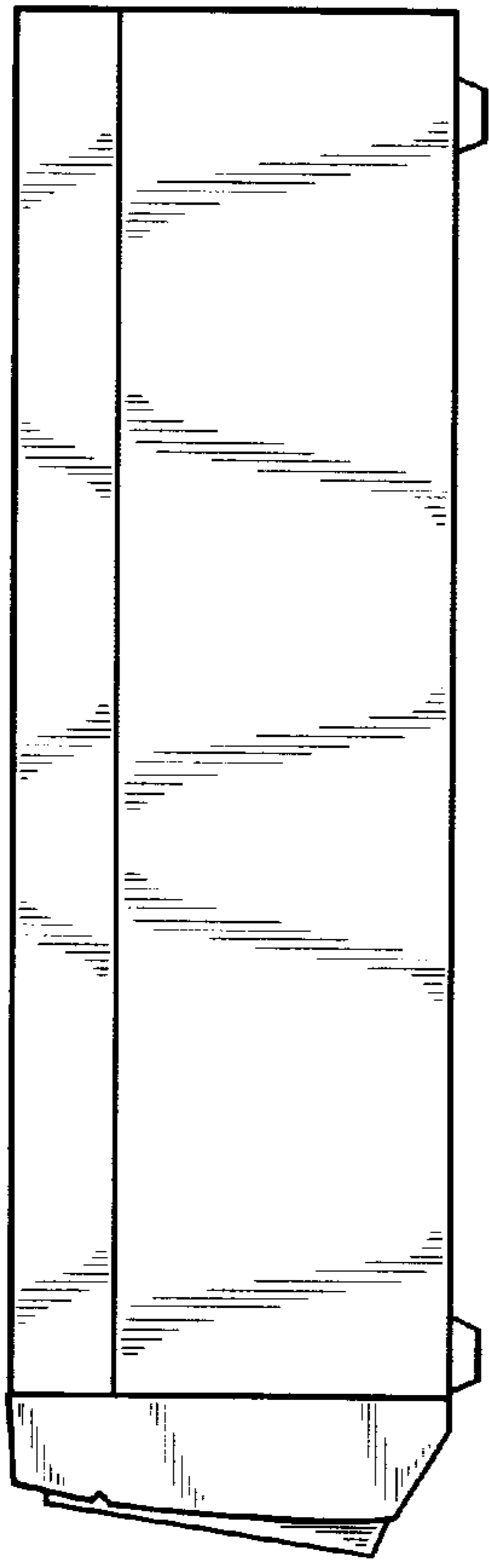


Fig. 6

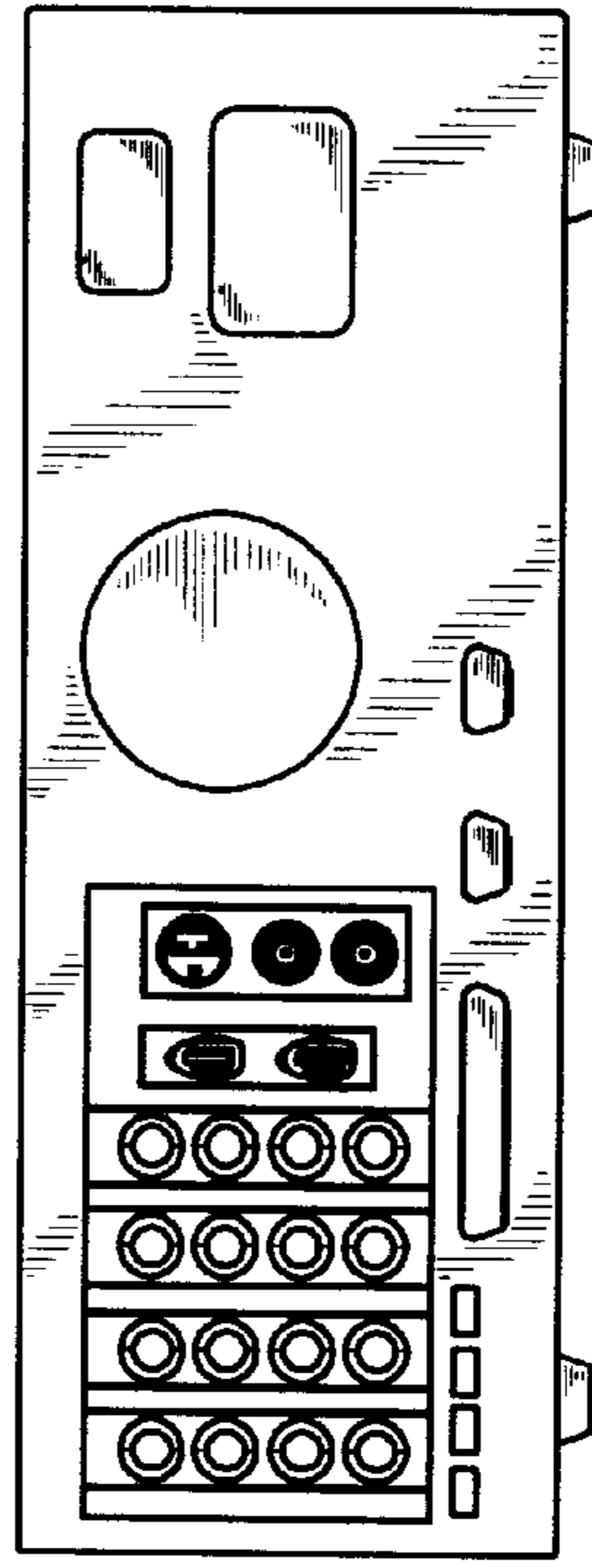


Fig. 7

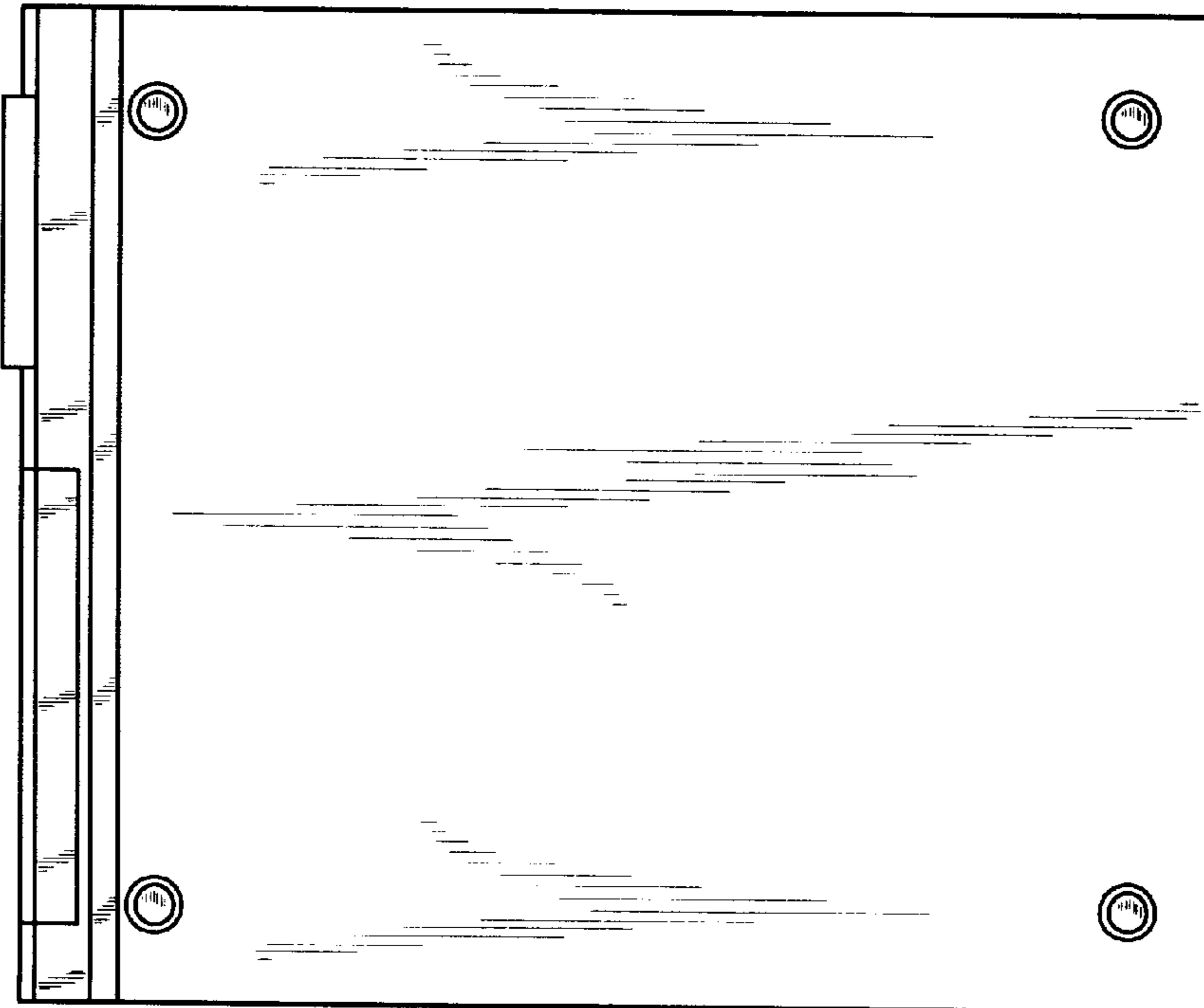


Fig. 5