



US00D443594S

(12) **United States Design Patent**
Wilkins

(10) **Patent No.:** **US D443,594 S**

(45) **Date of Patent:** **** Jun. 12, 2001**

(54) **CONDUIT ADAPTER FOR ELECTRICAL BOXES**

(76) **Inventor:** **Virgil K Wilkins**, 8 W. Hunter Cir.,
Mesa, AZ (US) 85201

(**) **Term:** **14 Years**

(21) **Appl. No.:** **29/113,906**

(22) **Filed:** **Nov. 12, 1999**

(51) **LOC (7) Cl.** **13-03**

(52) **U.S. Cl.** **D13/156**

(58) **Field of Search** D13/154, 156,
D13/151; 174/65 R, 65 SS, 74 A, 48; 439/527;
285/215, 386, 390

(56) **References Cited**

U.S. PATENT DOCUMENTS

| | | | |
|------------|-----------|---------------|-----------|
| D. 258,526 | 3/1981 | Nederman . | |
| 1,637,365 | * 8/1927 | Wernie | 285/215 X |
| 2,926,935 | * 3/1960 | Marre | 285/215 X |
| 4,302,035 | 11/1981 | Ochwat . | |
| 4,494,779 | 1/1985 | Neff et al. . | |
| 4,711,974 | * 12/1987 | Borsh | 174/65 R |
| 4,891,470 | 1/1990 | Studenski . | |

| | | | |
|-----------|----------|---------------|----------|
| 5,068,496 | 11/1991 | Favalora . | |
| 5,132,493 | * 7/1992 | Sheehan | 174/65 R |
| 5,422,437 | 6/1995 | Schnell . | |
| 5,594,201 | * 1/1997 | Reinert | 174/48 X |

* cited by examiner

Primary Examiner—Susan J. Lucas
Assistant Examiner—Jennifer Rivard

(57) **CLAIM**

The ornamental design for a conduit adapter for electrical boxes, as shown and described.

DESCRIPTION

FIG. 1 is a top plan view of the conduit adapter for electrical boxes of the present invention, the bottom plan view being substantially identical thereof;
FIG. 2 is a right side elevational view of the conduit adapter for electrical boxes of FIG. 1, the left side elevational view being a mirror image thereof;
FIG. 3 is a front elevational view of the conduit adapter for electrical boxes of FIG. 1; and,
FIG. 4 is a back elevational view of the conduit adapter for electrical boxes of FIG. 1.

1 Claim, 2 Drawing Sheets

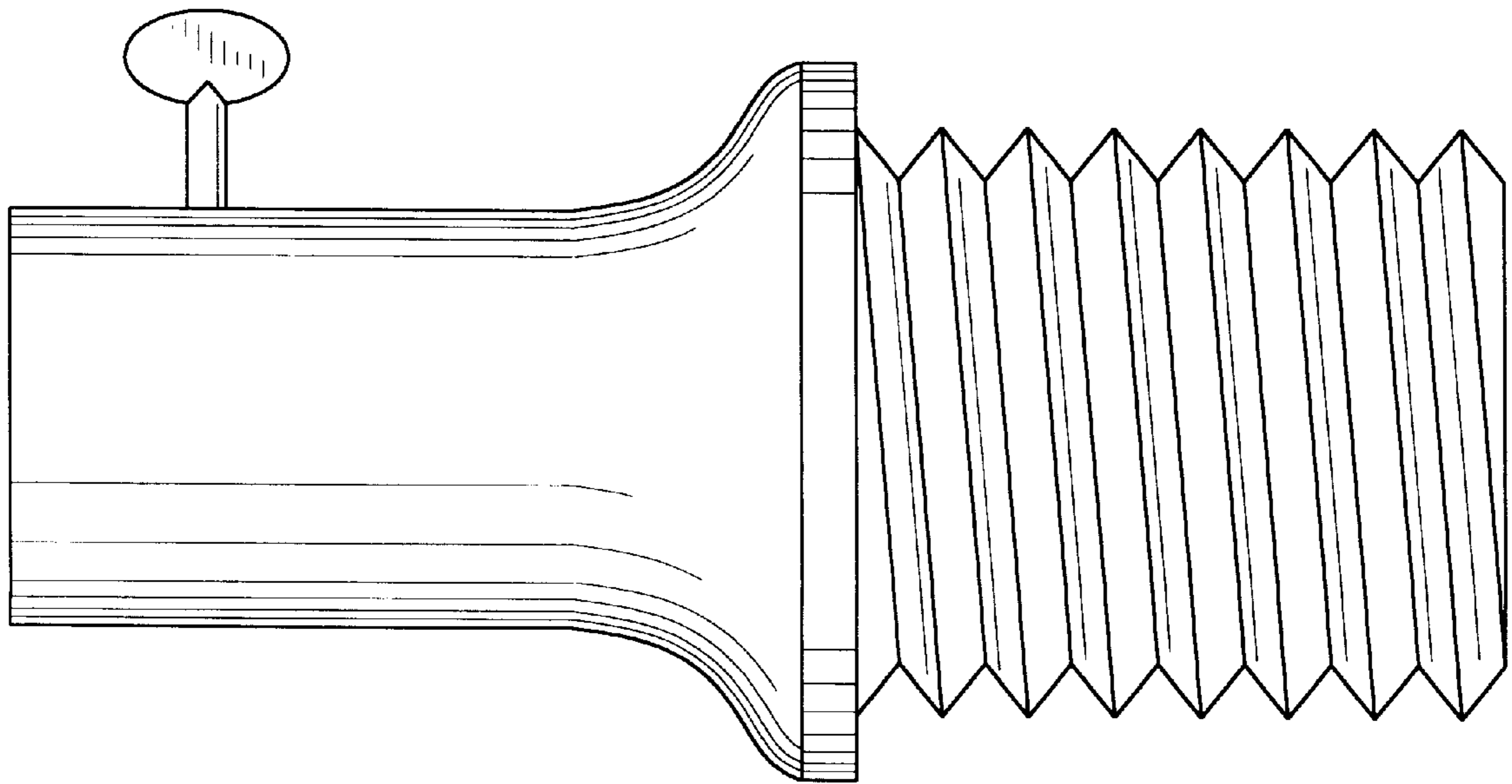


FIG. 1

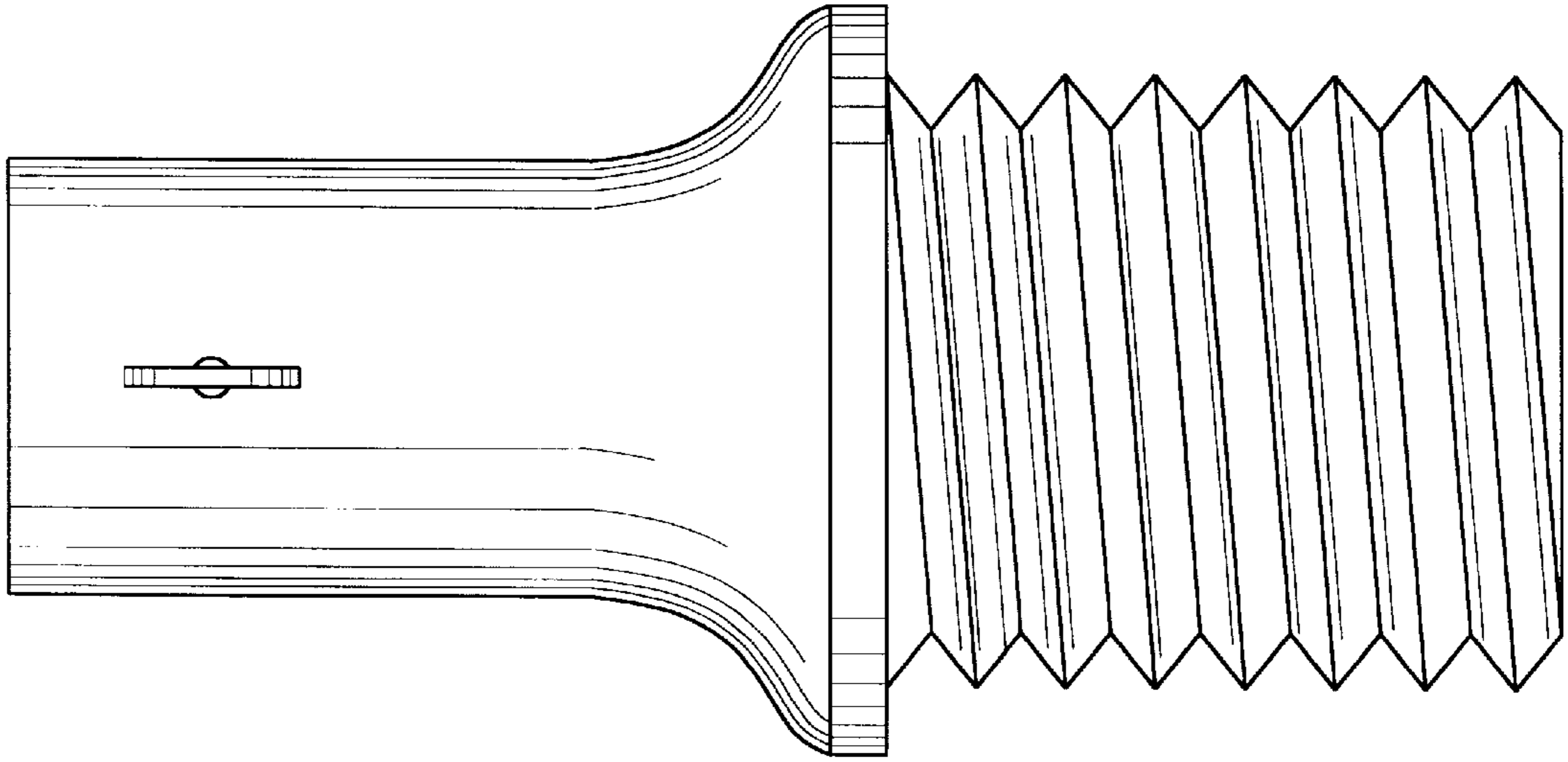


FIG. 2

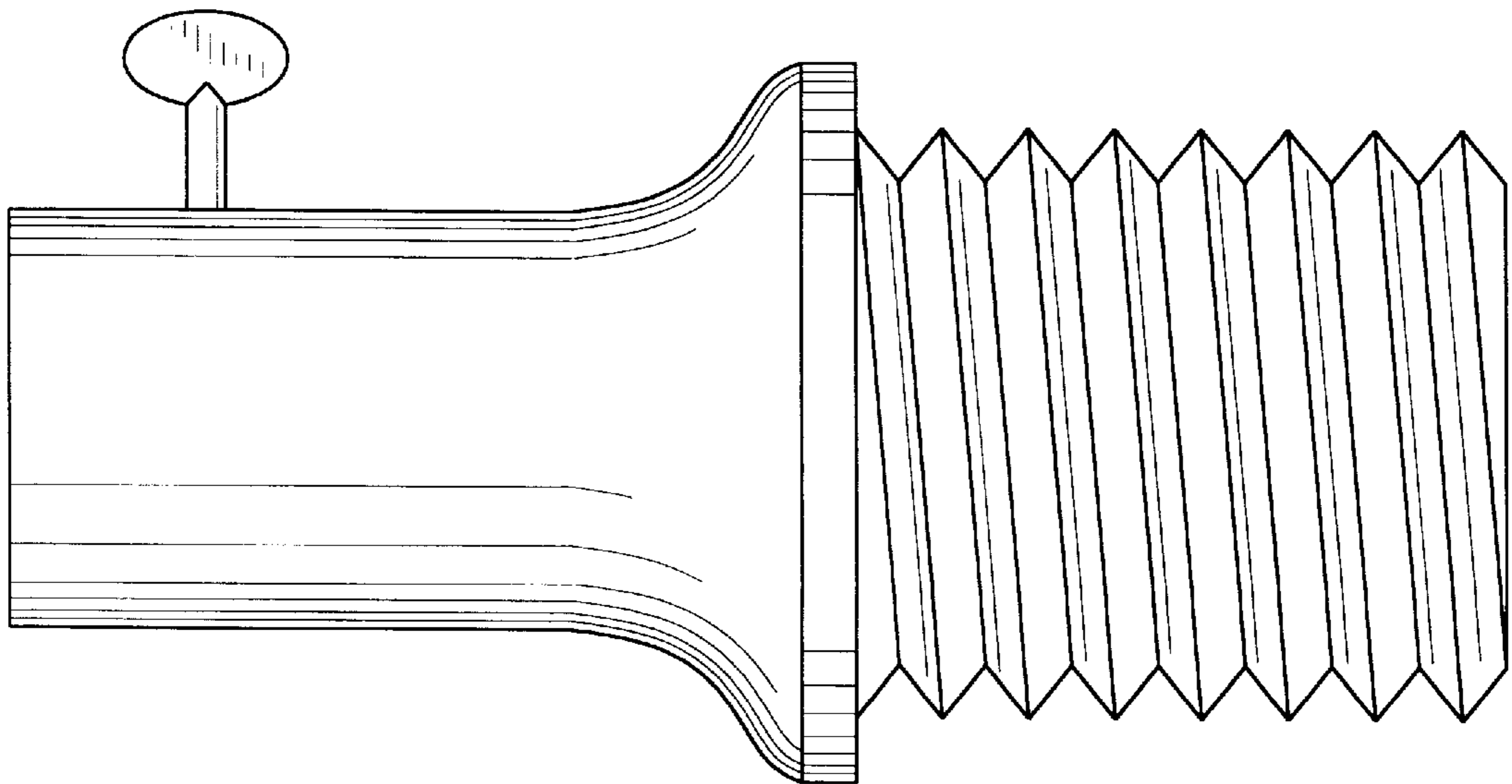


FIG. 3

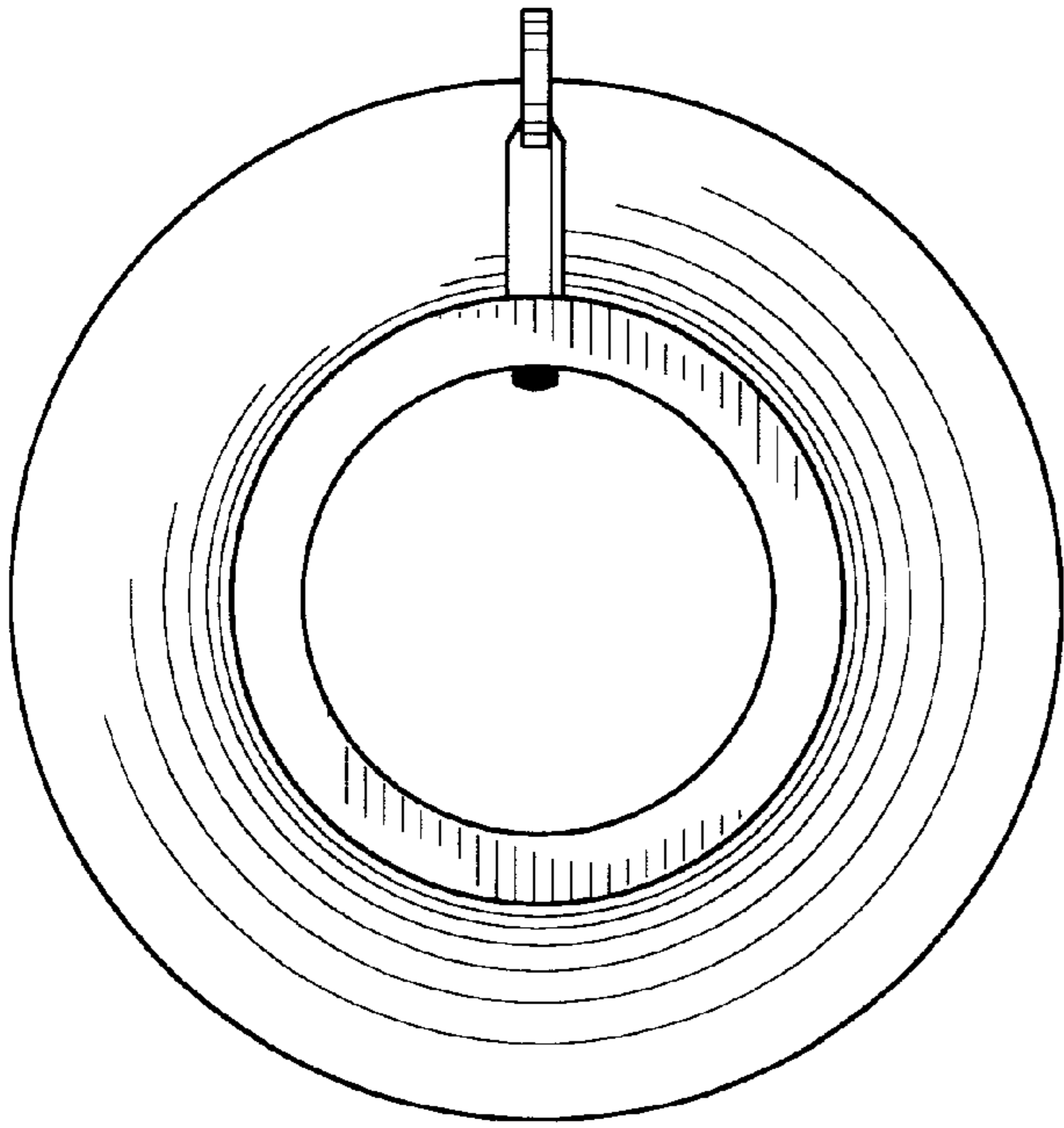


FIG. 4

