



US00D443592S

(12) **United States Design Patent**
Frattini

(10) **Patent No.:** **US D443,592 S**

(45) **Date of Patent:** **** Jun. 12, 2001**

(54) **ELECTRICAL POWER AND COMMUNICATION OUTLET BOX**

(75) **Inventor:** **Emanuela Frattini**, New York, NY (US)

(73) **Assignee:** **Knoll, Inc.**, East Greenville, PA (US)

(**) **Term:** **14 Years**

(21) **Appl. No.:** **29/129,602**

(22) **Filed:** **Sep. 18, 2000**

(51) **LOC (7) Cl.** **13-03**

(52) **U.S. Cl.** **D13/152**

(58) **Field of Search** D13/152, 156, D13/154; 174/48, 53, 54, 58, 66, 67, 65 R; 220/3.2, 3.3, 3.8, 3.9; 439/535, 536, 367, 135

(56) **References Cited**

U.S. PATENT DOCUMENTS

4,103,101	*	7/1978	Maier	174/65 R
4,493,173	*	1/1985	Kohaut	174/48 X
5,389,740	*	2/1995	Austin	174/67
5,556,289	*	9/1996	Holbrook	439/135
5,693,909	*	12/1997	McEwen	174/58

* cited by examiner

Primary Examiner—Susan J. Lucas
Assistant Examiner—Jennifer Rivard

(74) *Attorney, Agent, or Firm*—Buchanan Ingersoll, P.C.

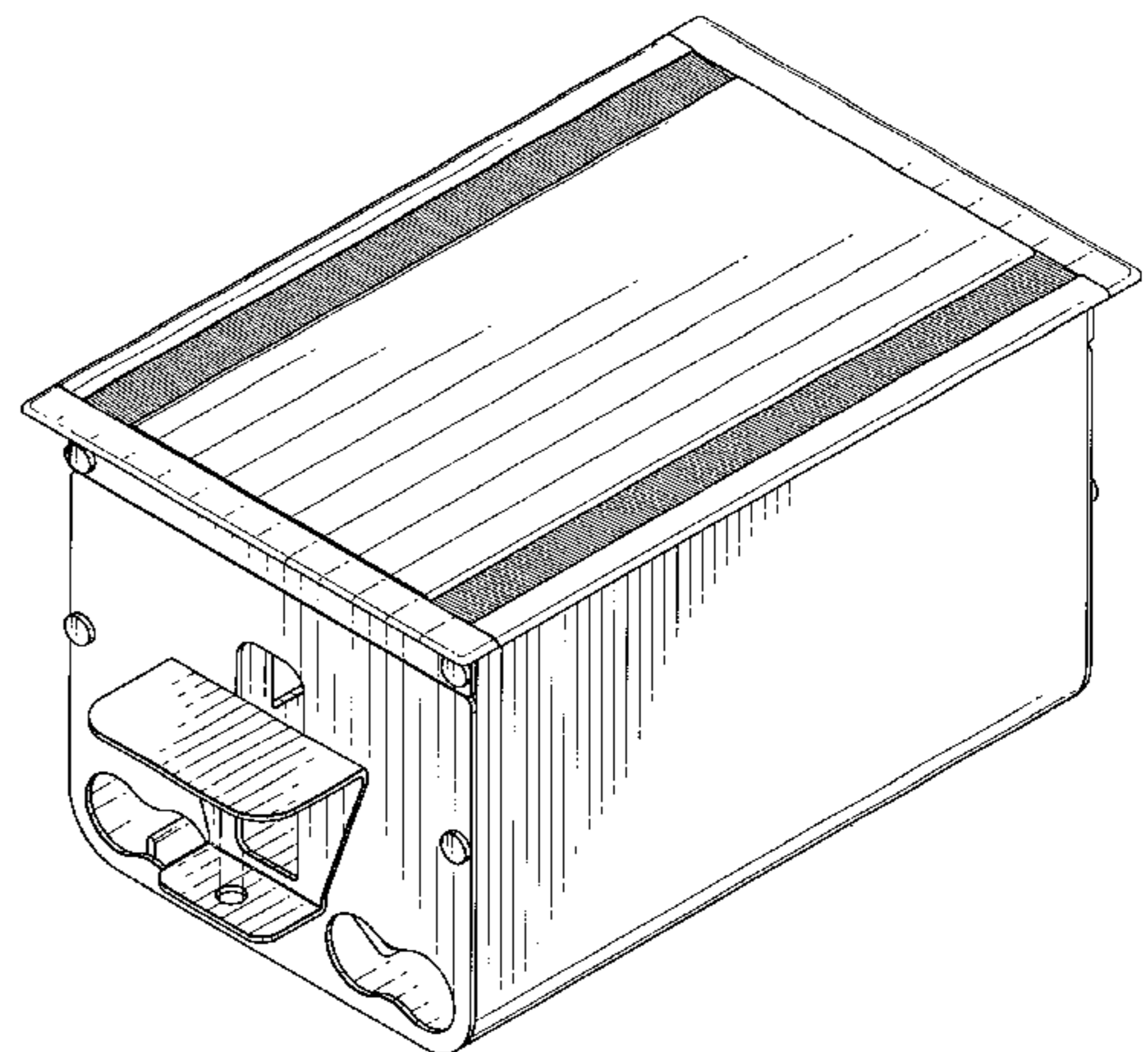
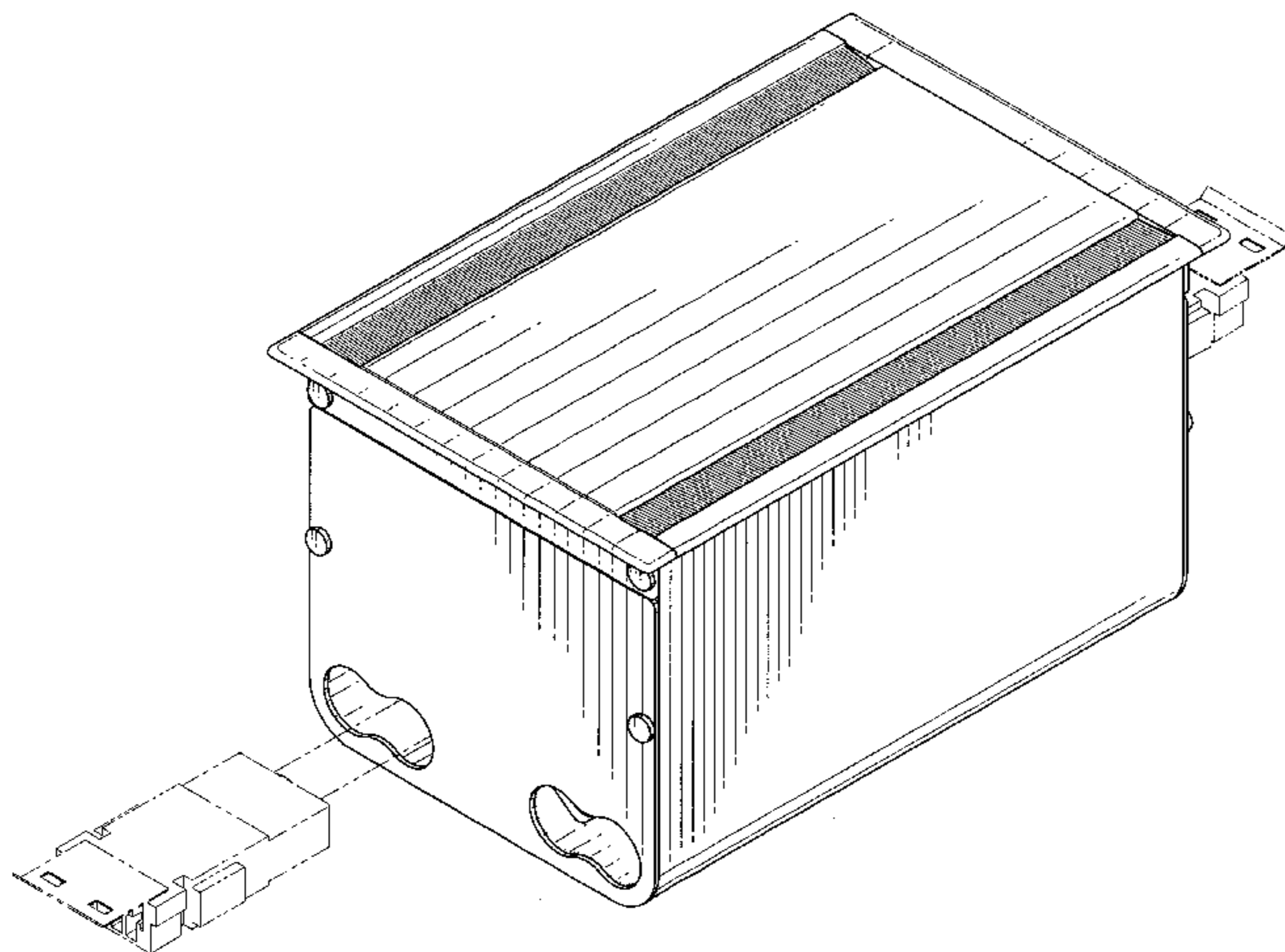
(57) **CLAIM**

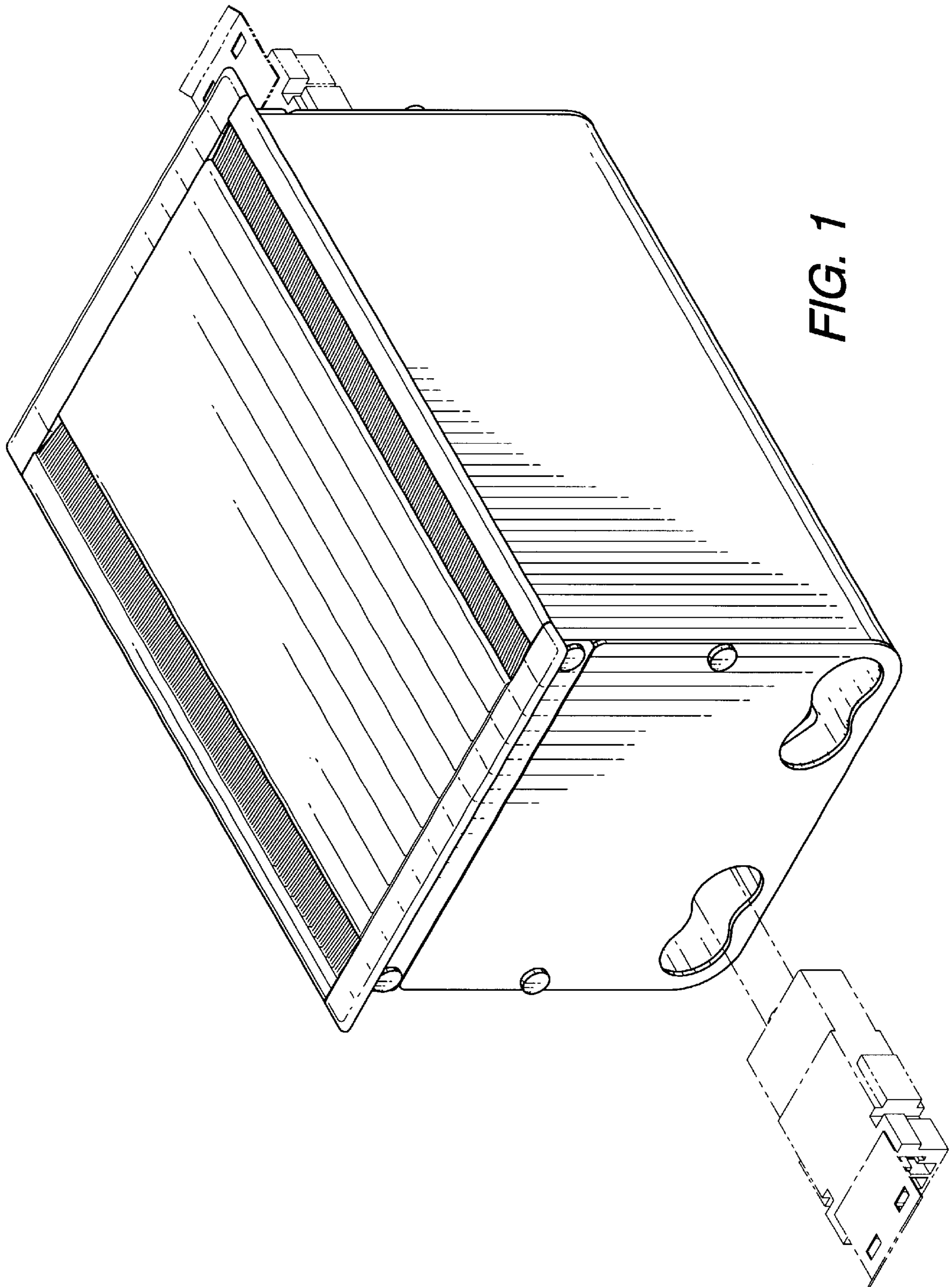
The ornamental design for an electrical power and communication outlet box, as shown and described.

DESCRIPTION

FIG. 1 is a perspective view of an electrical power and communication outlet box showing my new design;
 FIG. 2 is a front elevational view thereof;
 FIG. 3 is a rear elevational view thereof;
 FIG. 4 is a top plan view thereof;
 FIG. 5 is a bottom plan view thereof;
 FIG. 6 is a right side elevational view thereof;
 FIG. 7 is a left side elevational view thereof;
 FIG. 8 is a perspective view of my new design with the end cover removed;
 FIG. 9 is a perspective view of a second embodiment of my new design;
 FIG. 10 is a front elevational view thereof;
 FIG. 11 is a rear elevational view thereof;
 FIG. 12 is a top plan view thereof;
 FIG. 13 is a bottom plan view thereof;
 FIG. 14 is a right side elevational view thereof;
 FIG. 15 is a left side elevational view thereof; and,
 FIG. 16 is a perspective view of the second embodiment of my new design with the end cover removed.
 The electrical wiring and associated hardware shown in phantom lines are for illustrative purposes only, and do not form any part of the design.

1 Claim, 14 Drawing Sheets





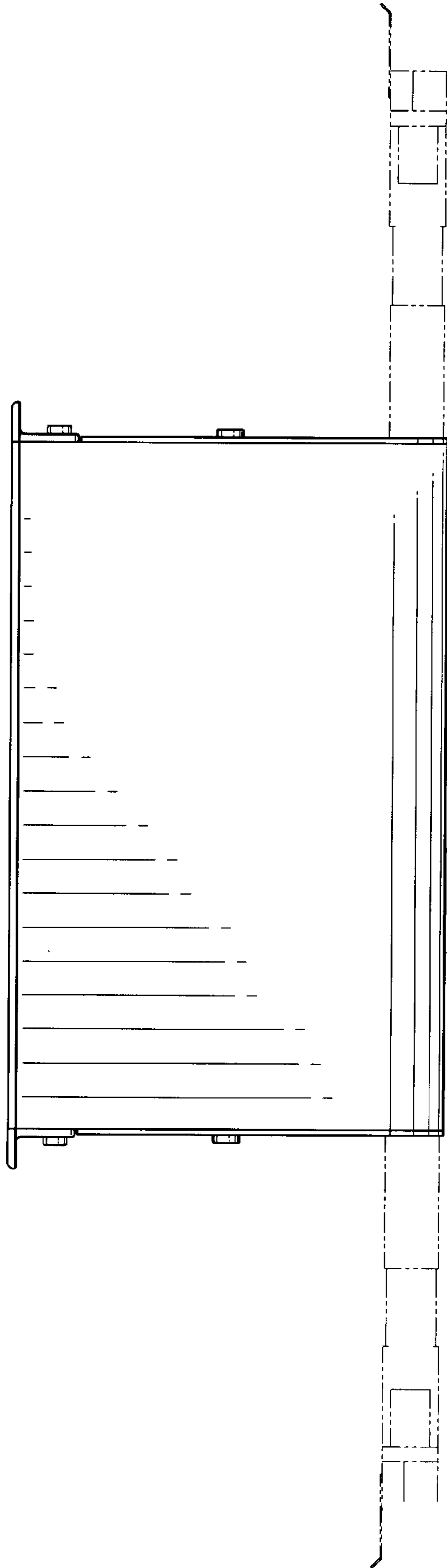


FIG. 2

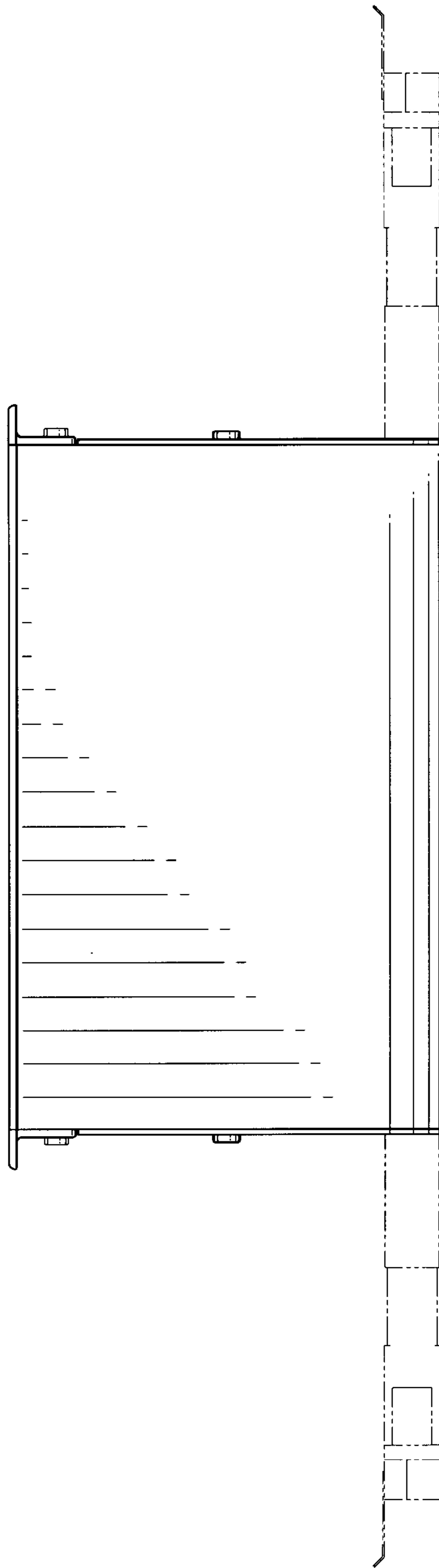


FIG. 3

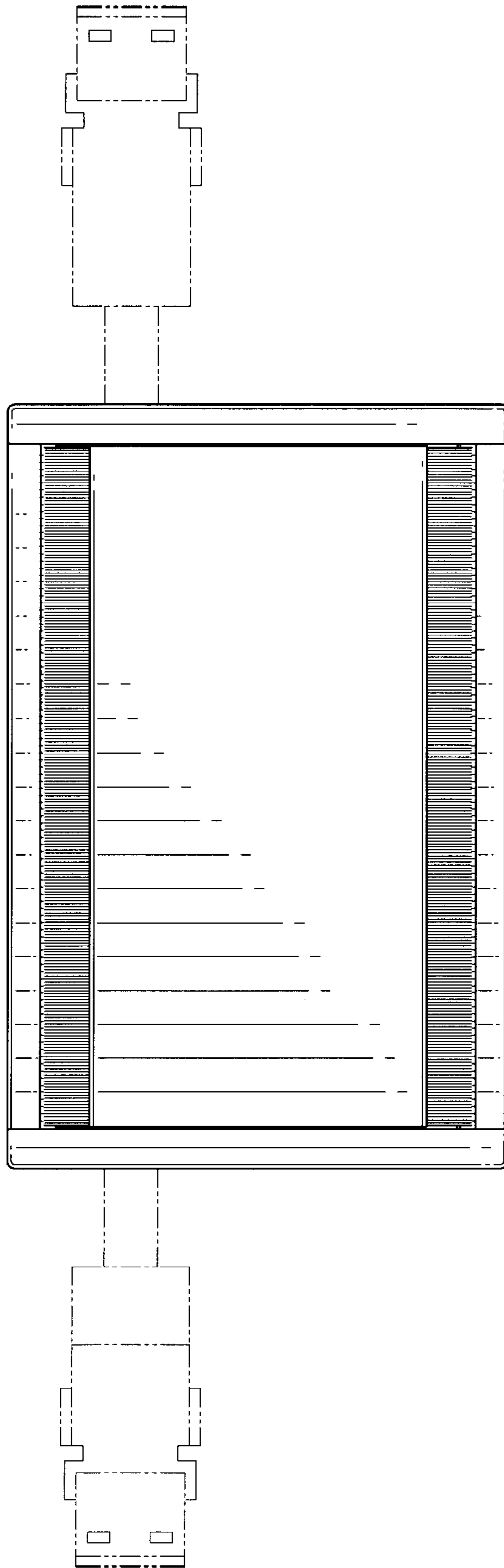


FIG. 4

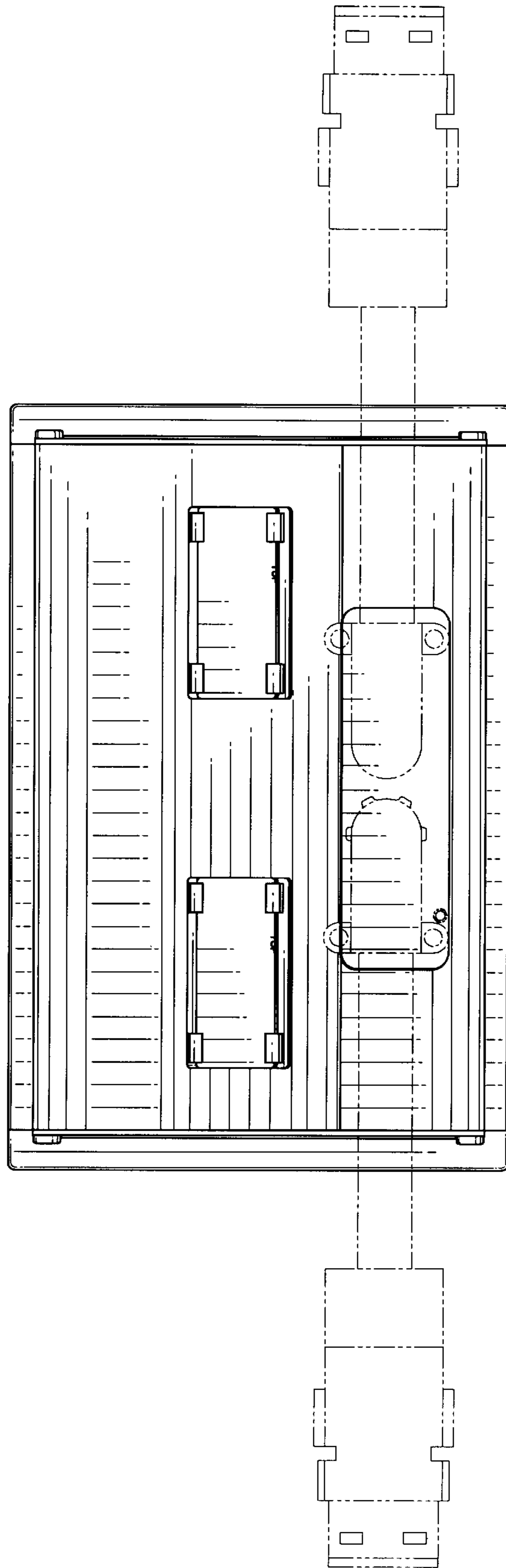


FIG. 5

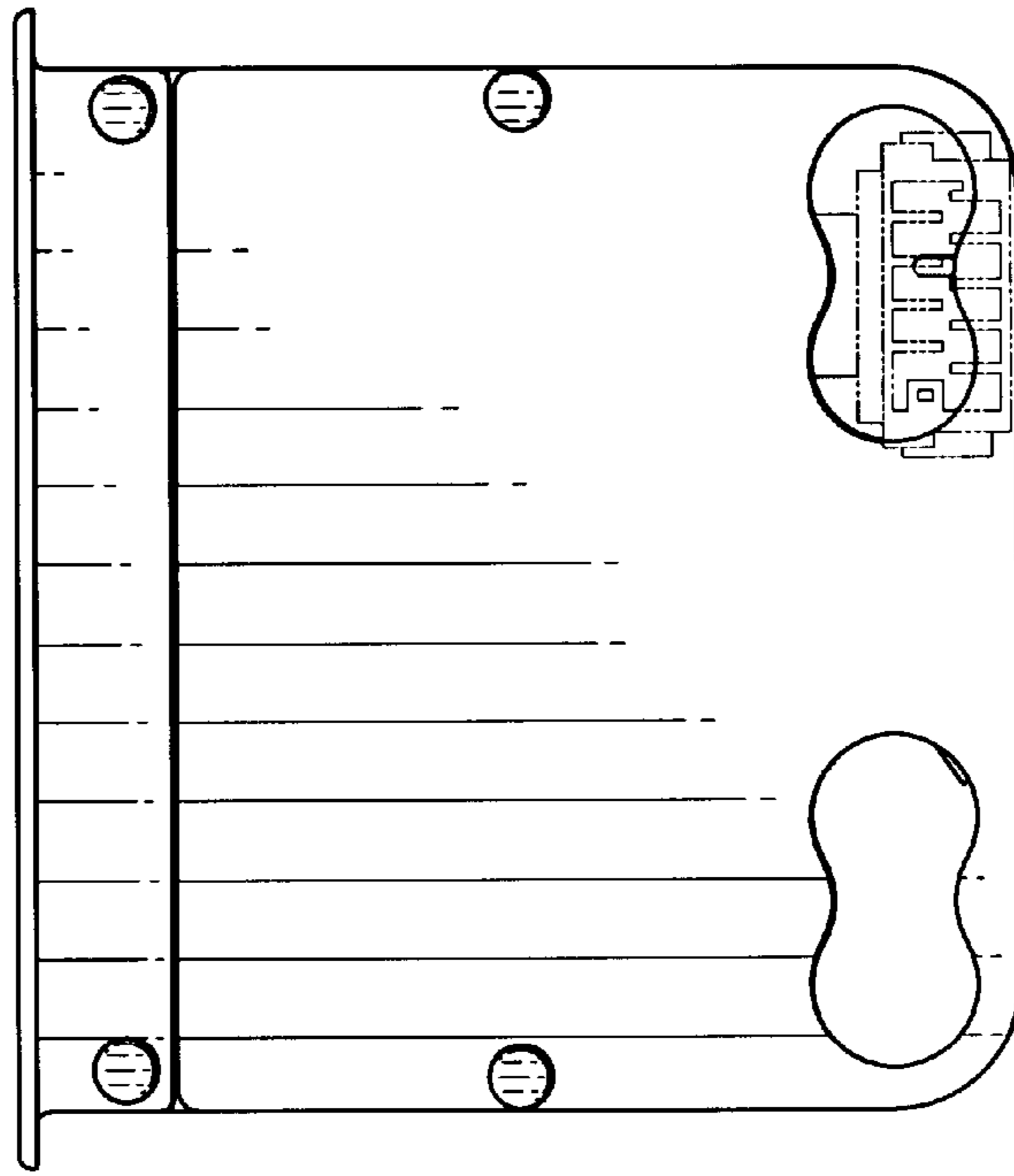


FIG. 6

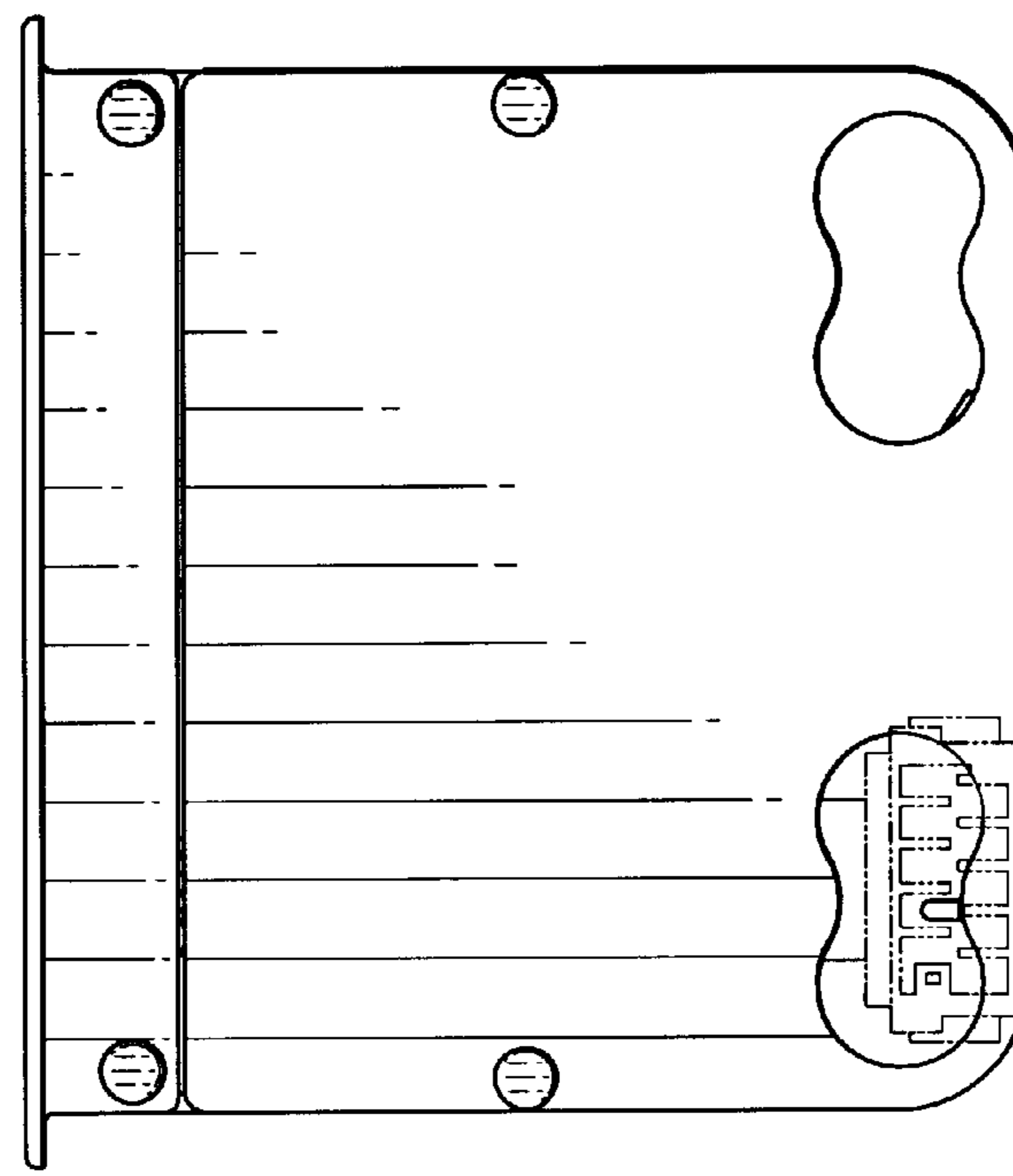


FIG. 7

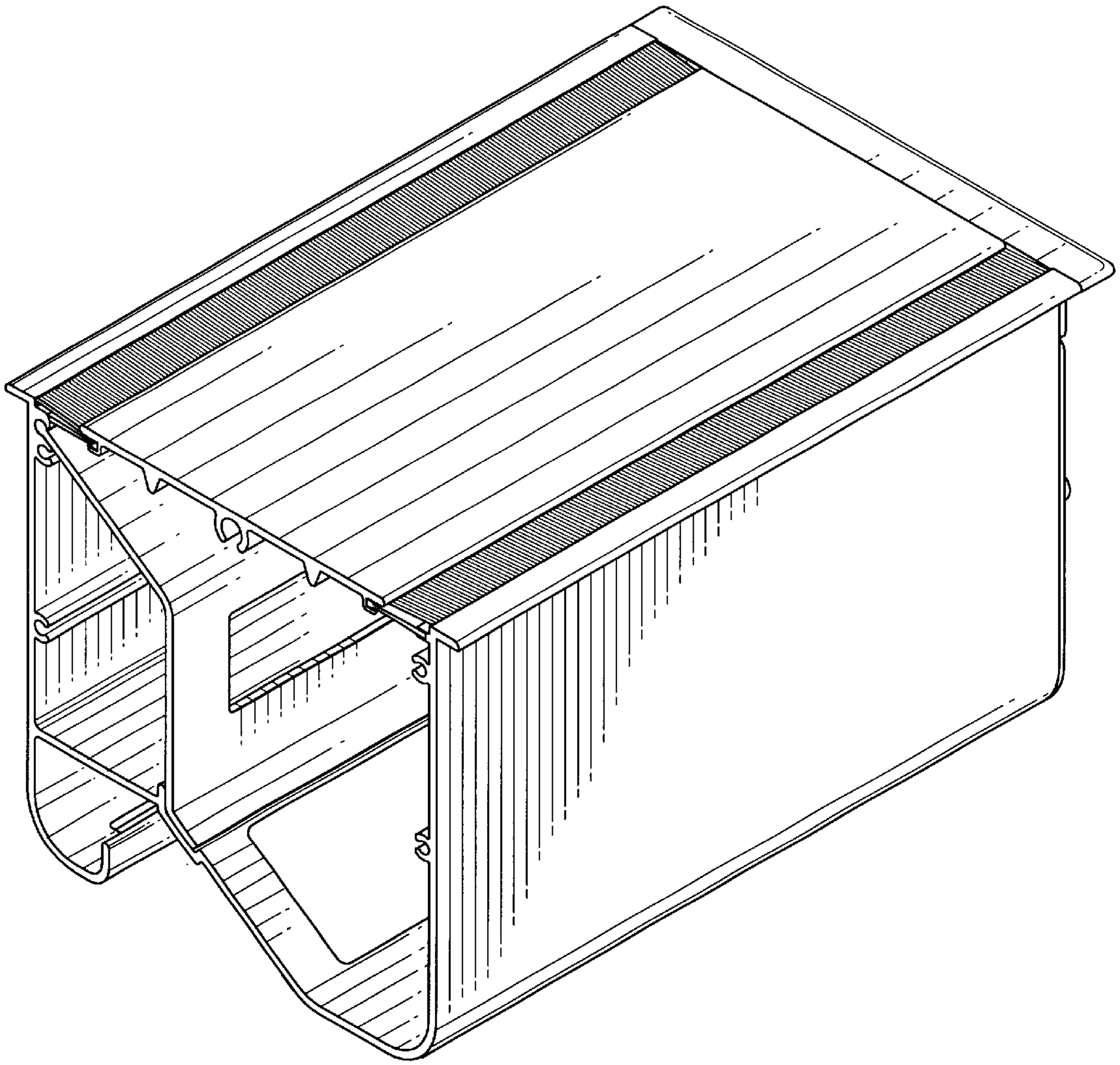


FIG. 8

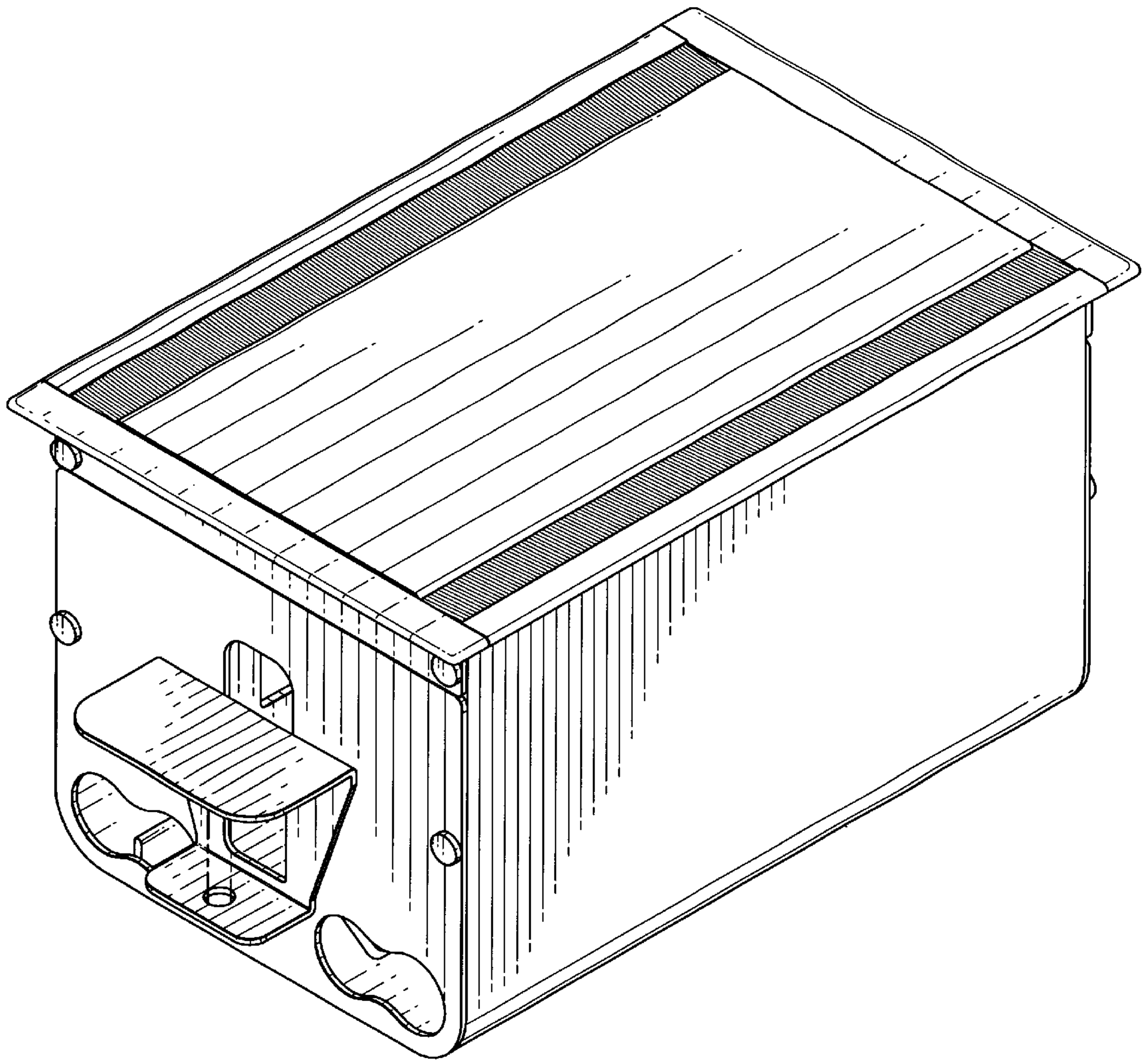


FIG. 9

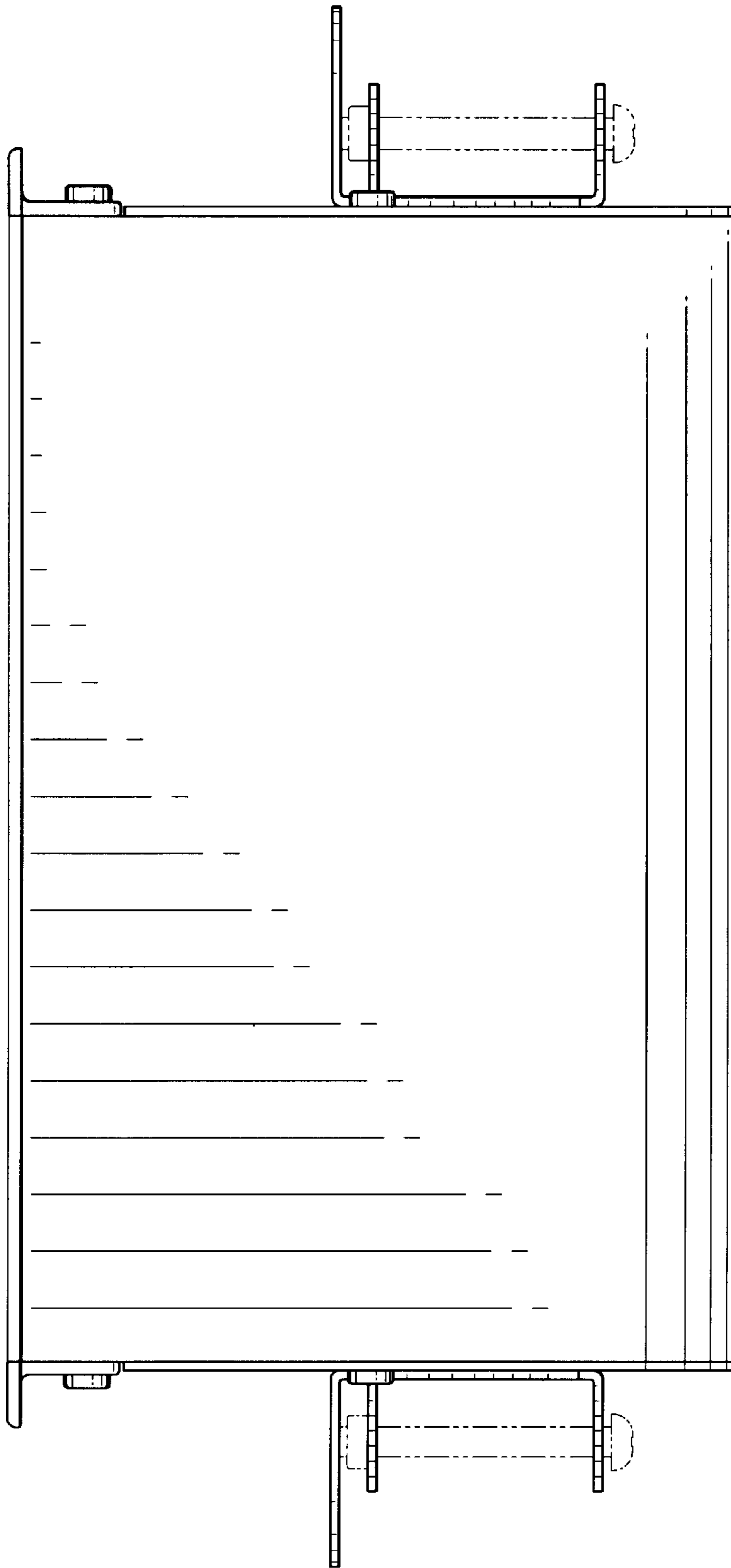


FIG. 10

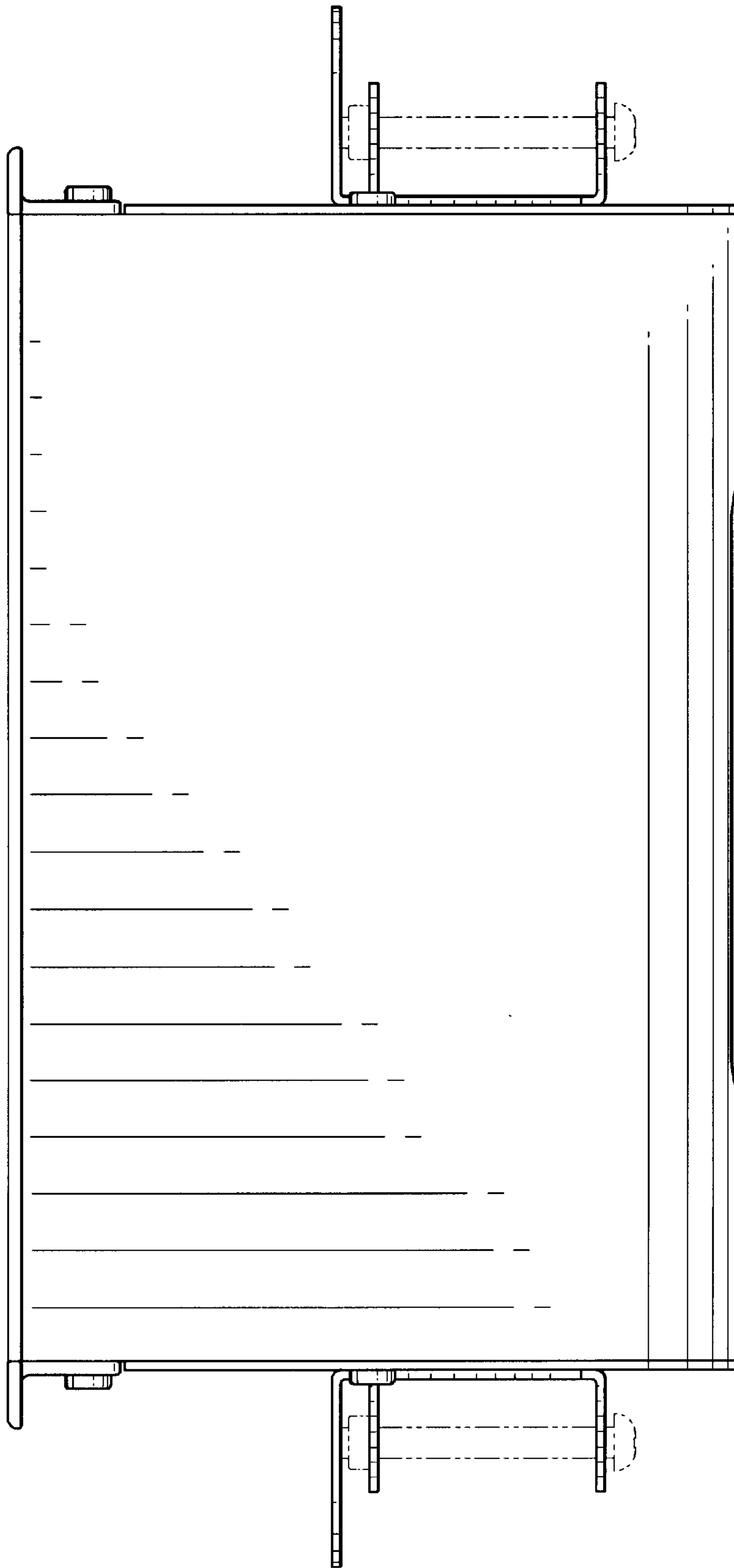


FIG. 11

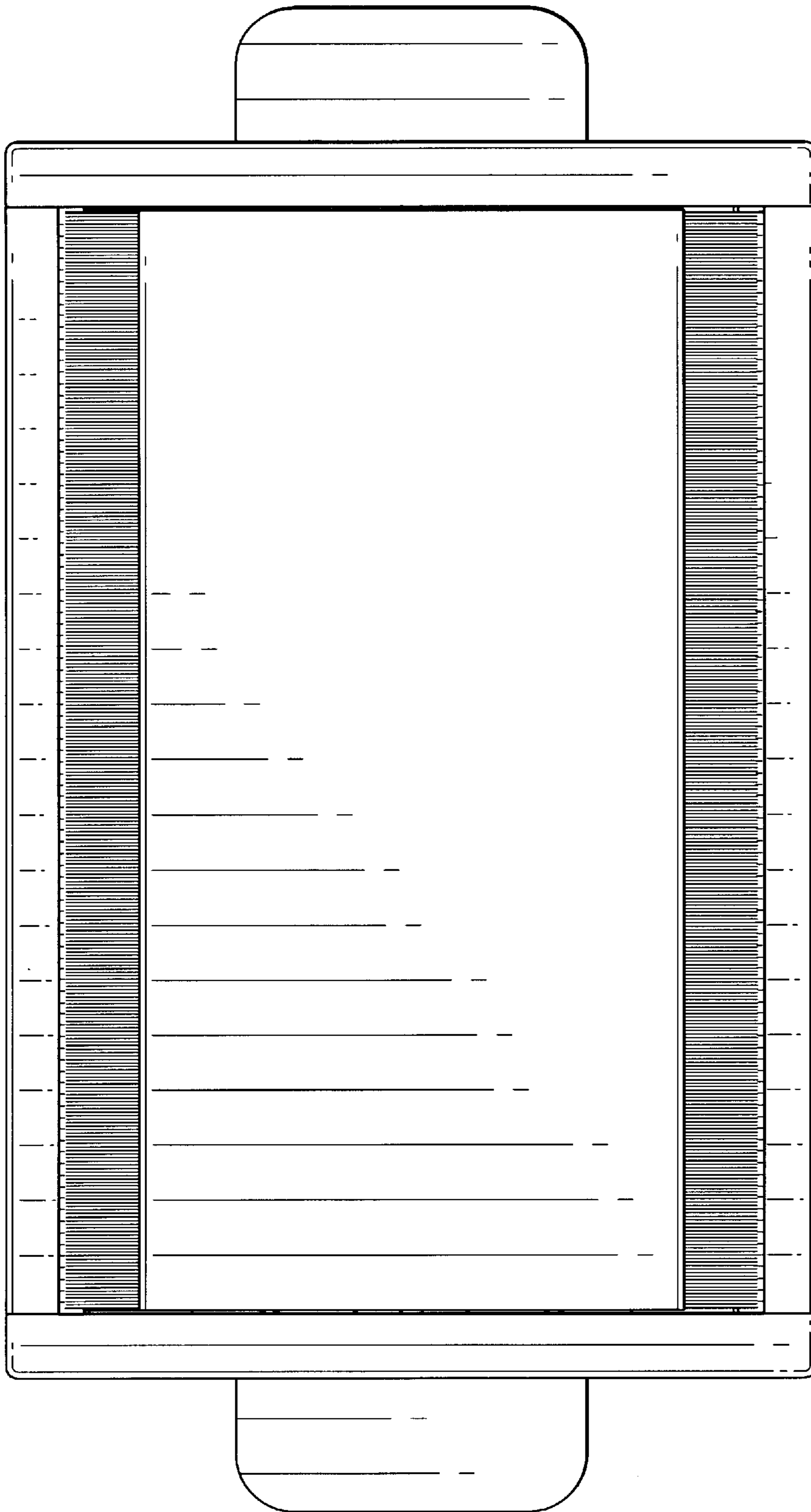


FIG. 12

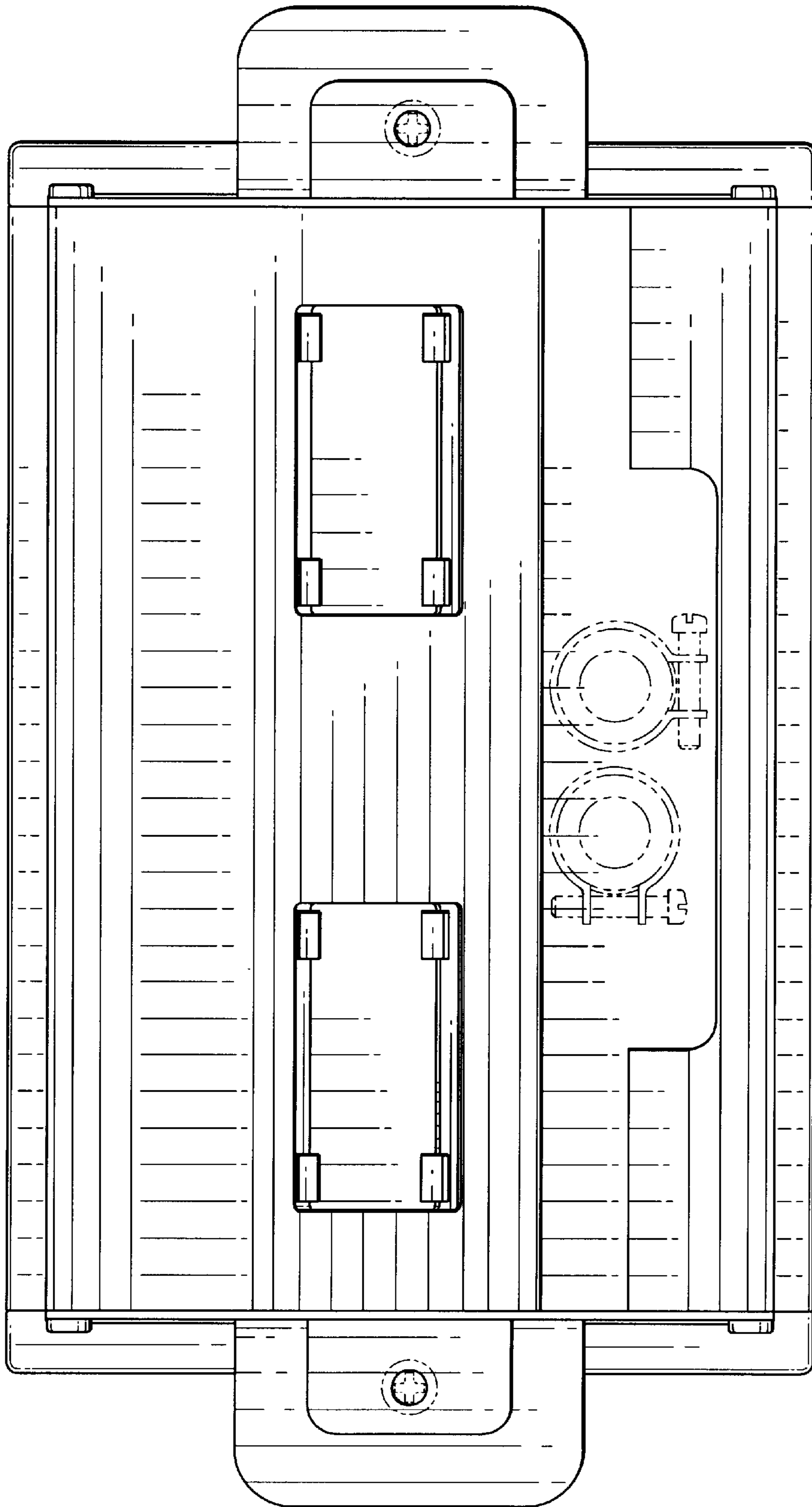


FIG. 13

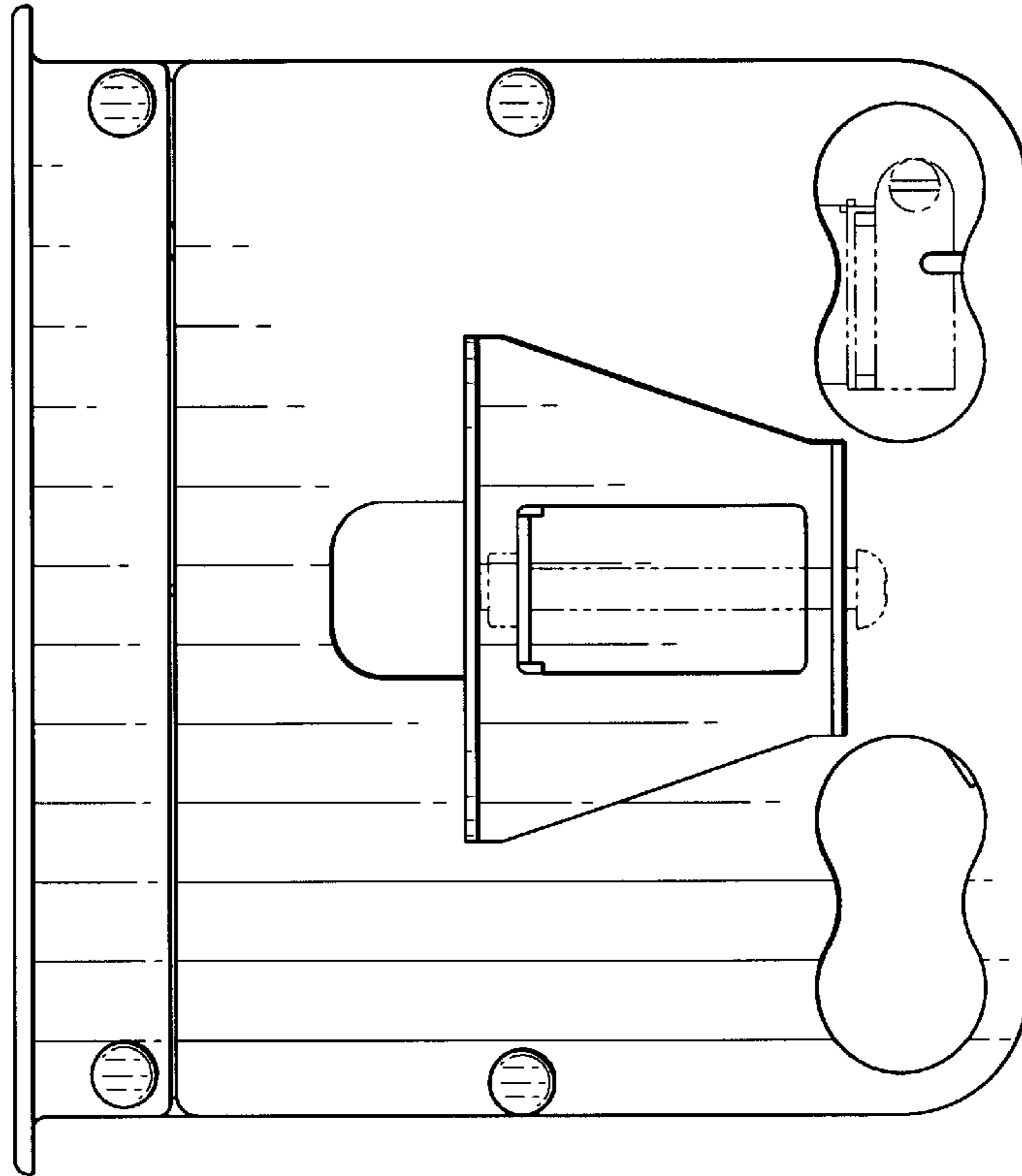


FIG. 14

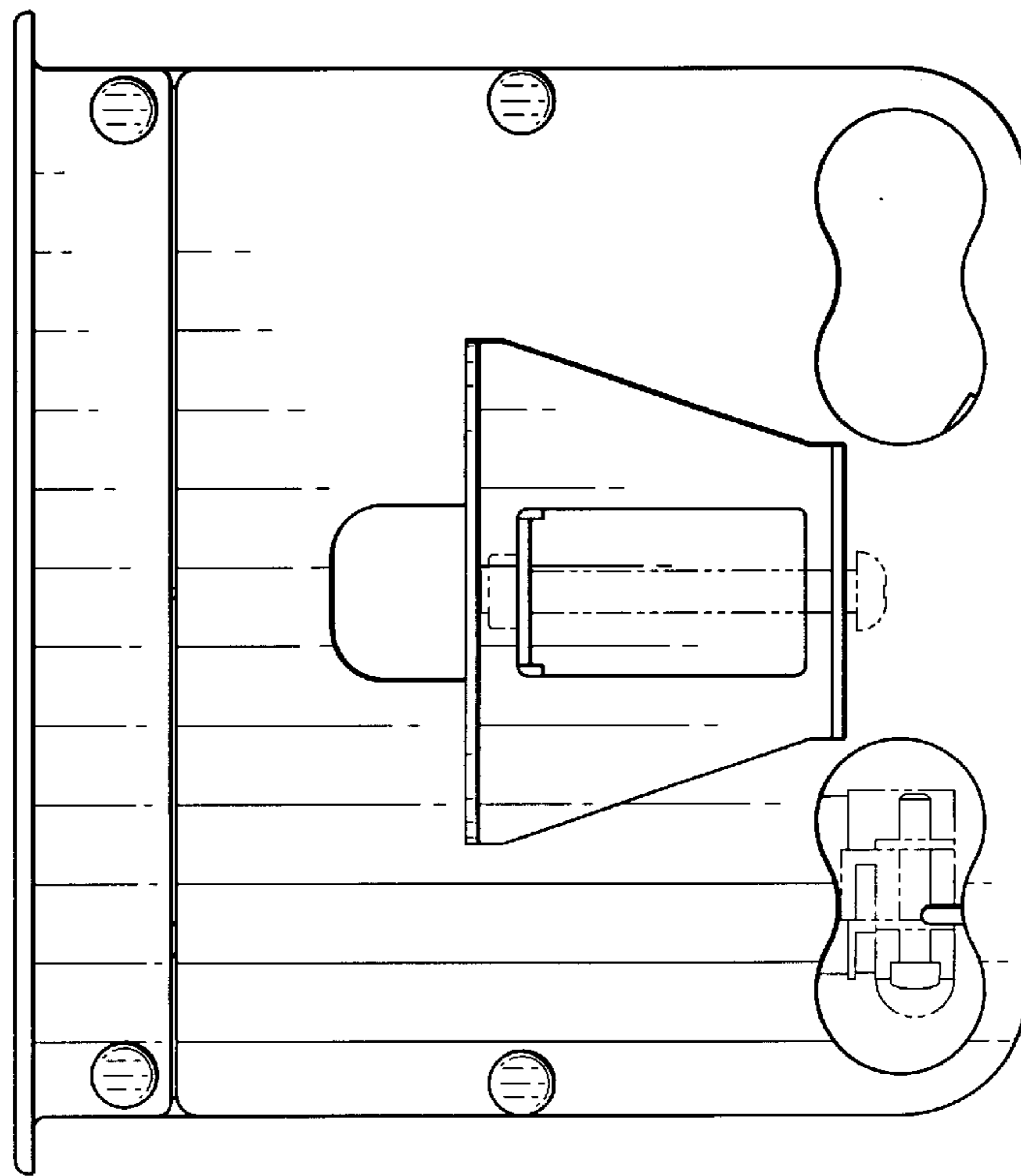


FIG. 15

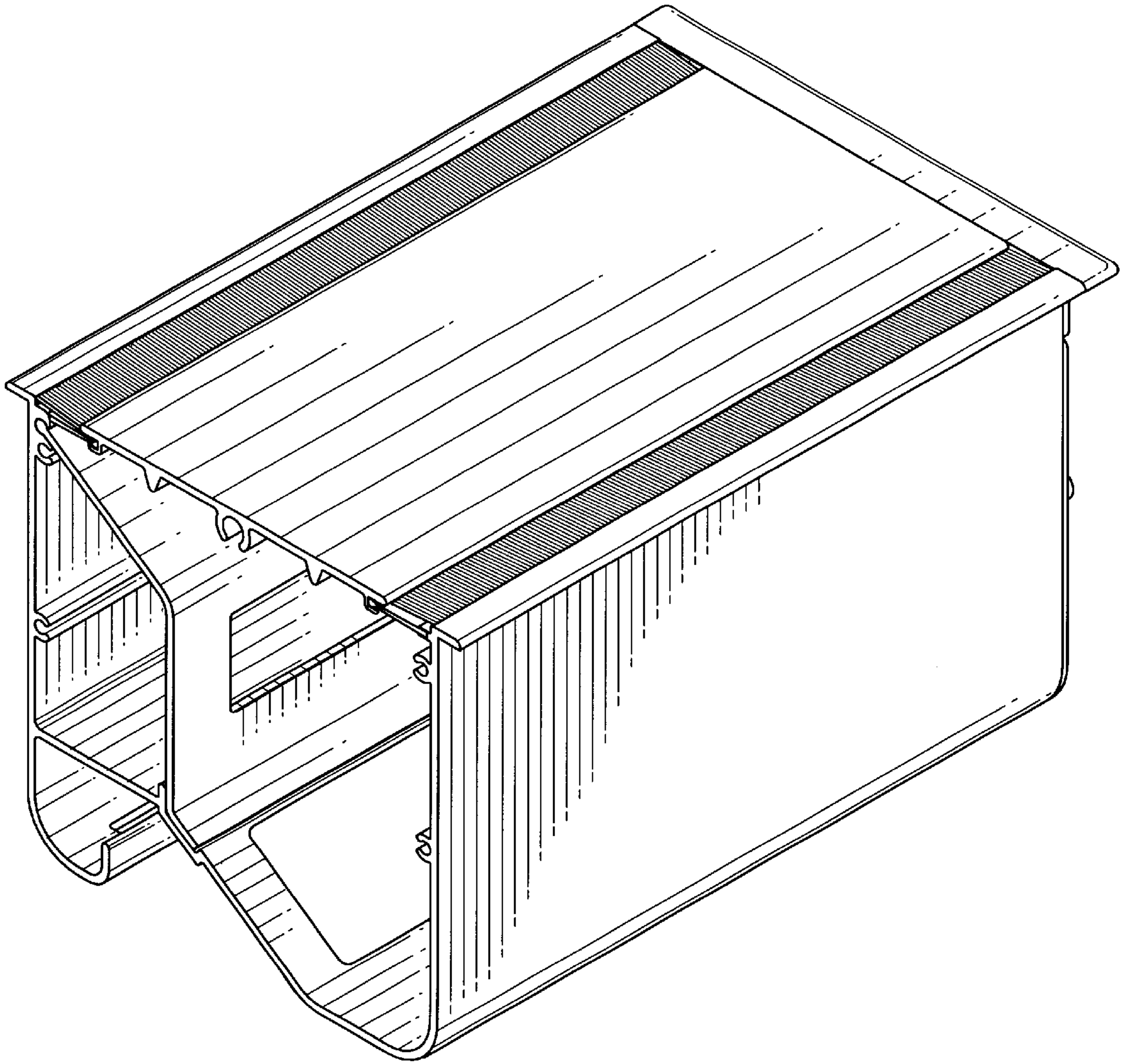


FIG. 16