



US00D443590S

(12) **United States Design Patent**
Vende

(10) **Patent No.:** **US D443,590 S**

(45) **Date of Patent:** **** Jun. 12, 2001**

(54) **EXTENSION CORD REEL**

6,077,109 * 6/2000 Prazoff 439/501

(75) Inventor: **Tristan Vende**, Limoges (FR)

* cited by examiner

(73) Assignees: **Legrand; Legrand SNC**, both of
Limoges (FR)

Primary Examiner—Susan J. Lucas

Assistant Examiner—Jennifer Rivard

(74) *Attorney, Agent, or Firm*—Young & Thompson

(**) Term: **14 Years**

(57) **CLAIM**

(21) Appl. No.: **29/124,056**

The ornamental design for an extension cord reel, as shown and described.

(22) Filed: **May 30, 2000**

(30) **Foreign Application Priority Data**

DESCRIPTION

Nov. 29, 1999 (FR) 99 7345

FIG. 1 is a top and side perspective view of an extension cord reel showing my new design, the phantom line showing of an extension cord forming no part of the claimed design;

(51) **LOC (7) Cl.** **13-03**

FIG. 2 is a top plan view thereof;

(52) **U.S. Cl.** **D13/137.4**

FIG. 3 is a bottom plan view thereof;

(58) **Field of Search** D13/137.4, 139.7;
439/501; D8/359; 191/12.4

FIG. 4 is an elevational view thereof from the lower left of FIG. 1; and,

(56) **References Cited**

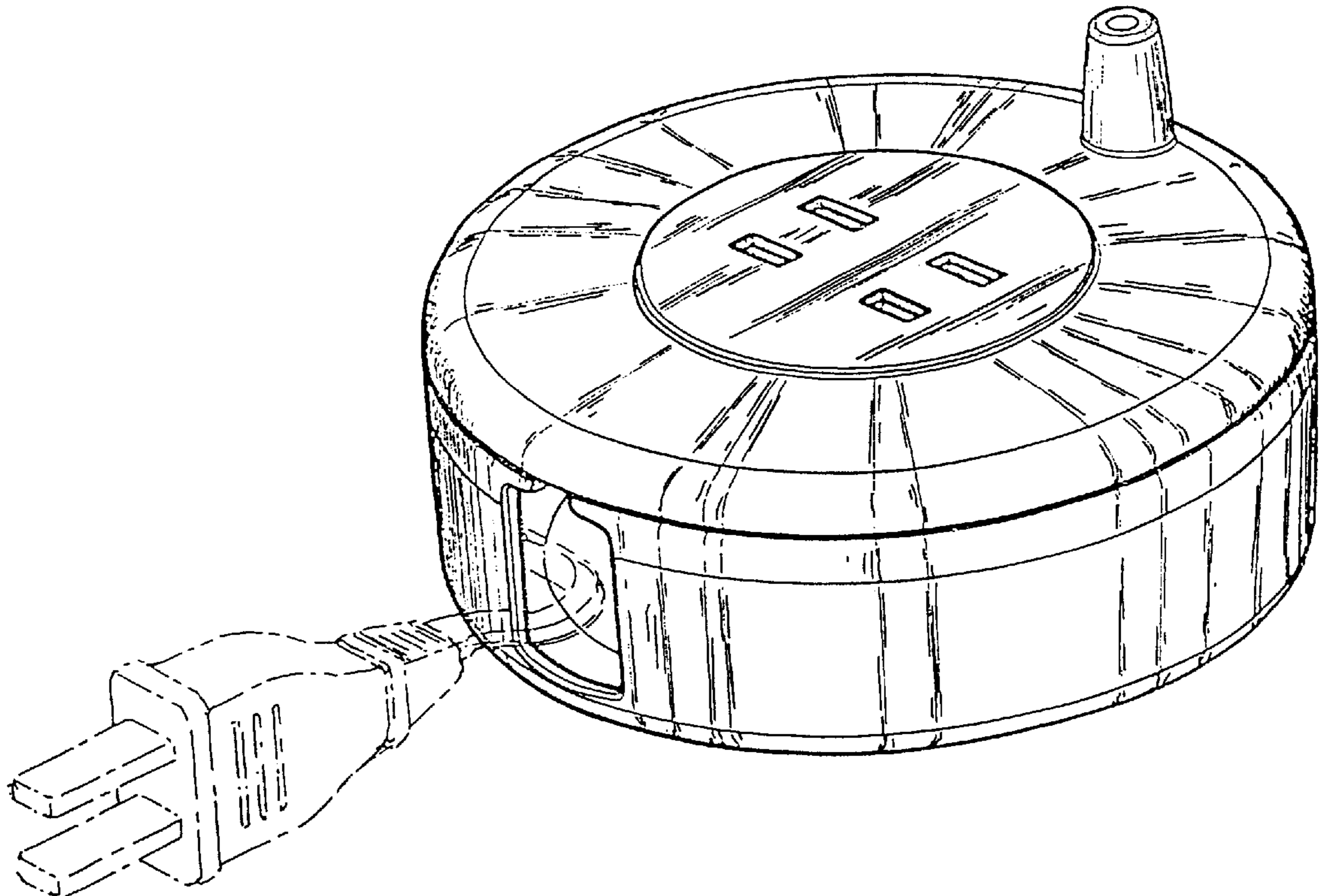
FIG. 5 is a side elevational view thereof from the right of FIG. 4, the side opposite that shown in FIG. 5 being the mirror image thereof.

U.S. PATENT DOCUMENTS

3,815,076 * 6/1974 Fedrick 439/501

5,700,150 * 12/1997 Morin 439/652 X

1 Claim, 5 Drawing Sheets



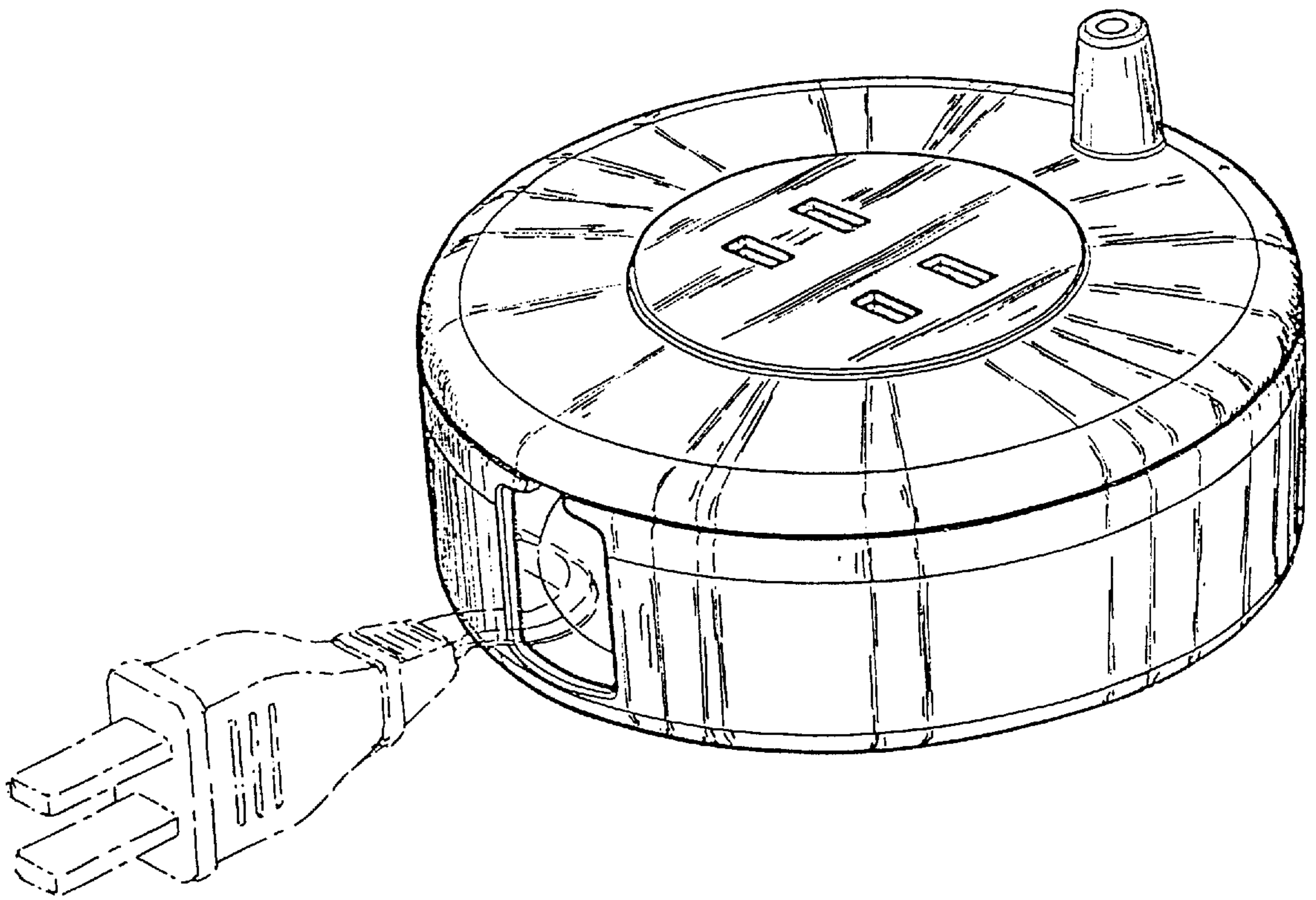


FIG. 1

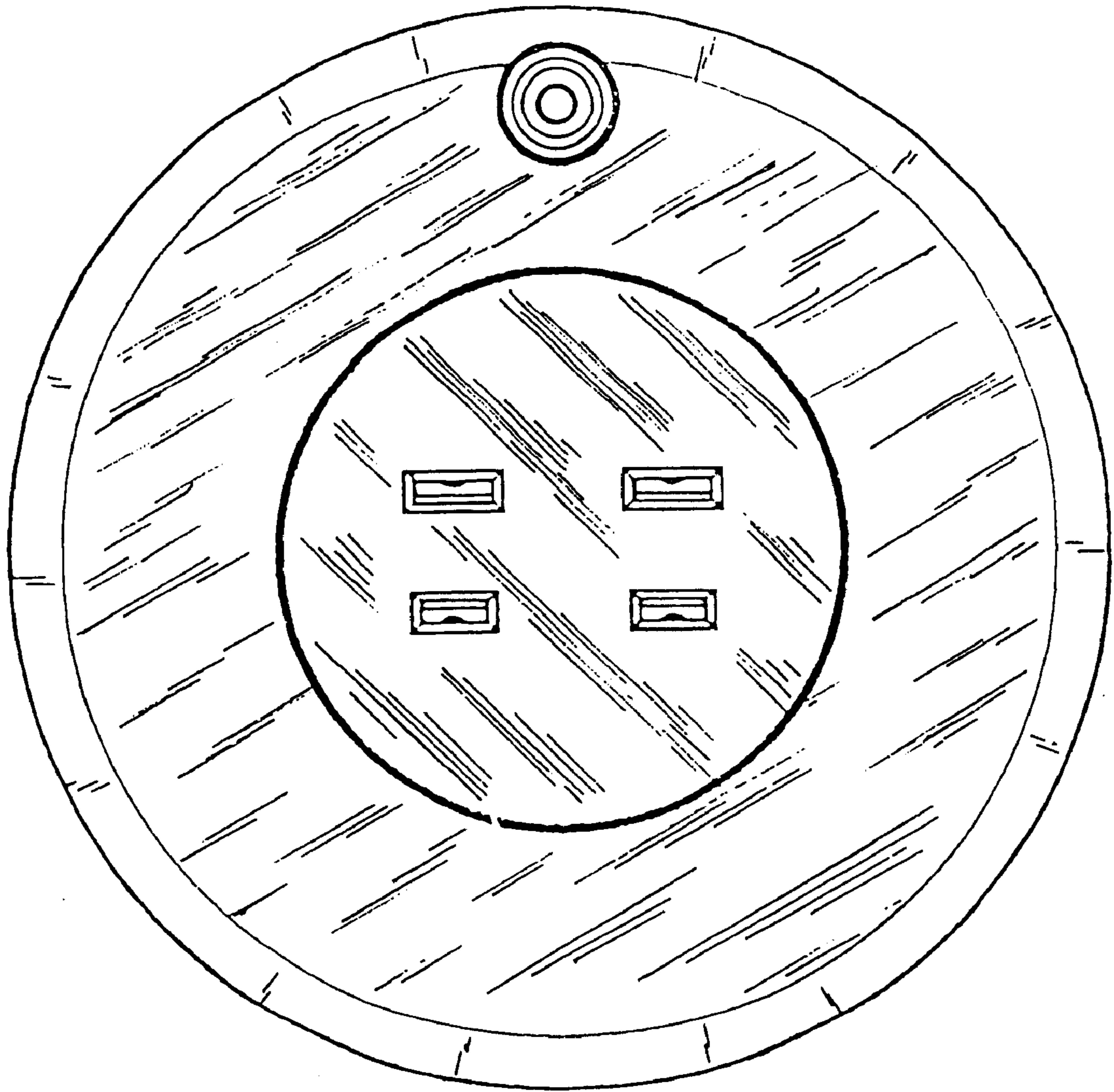


FIG.2

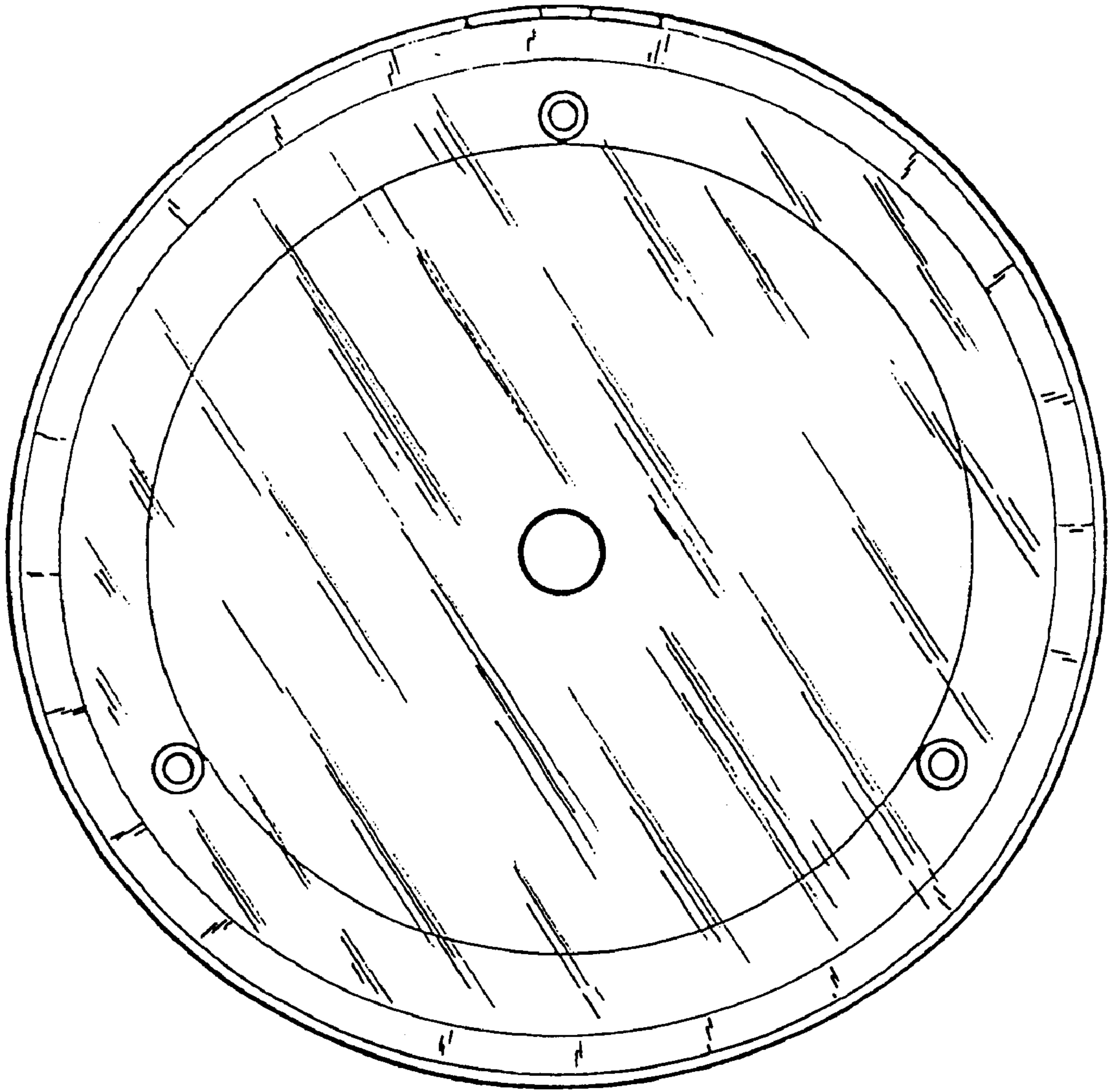


FIG. 3

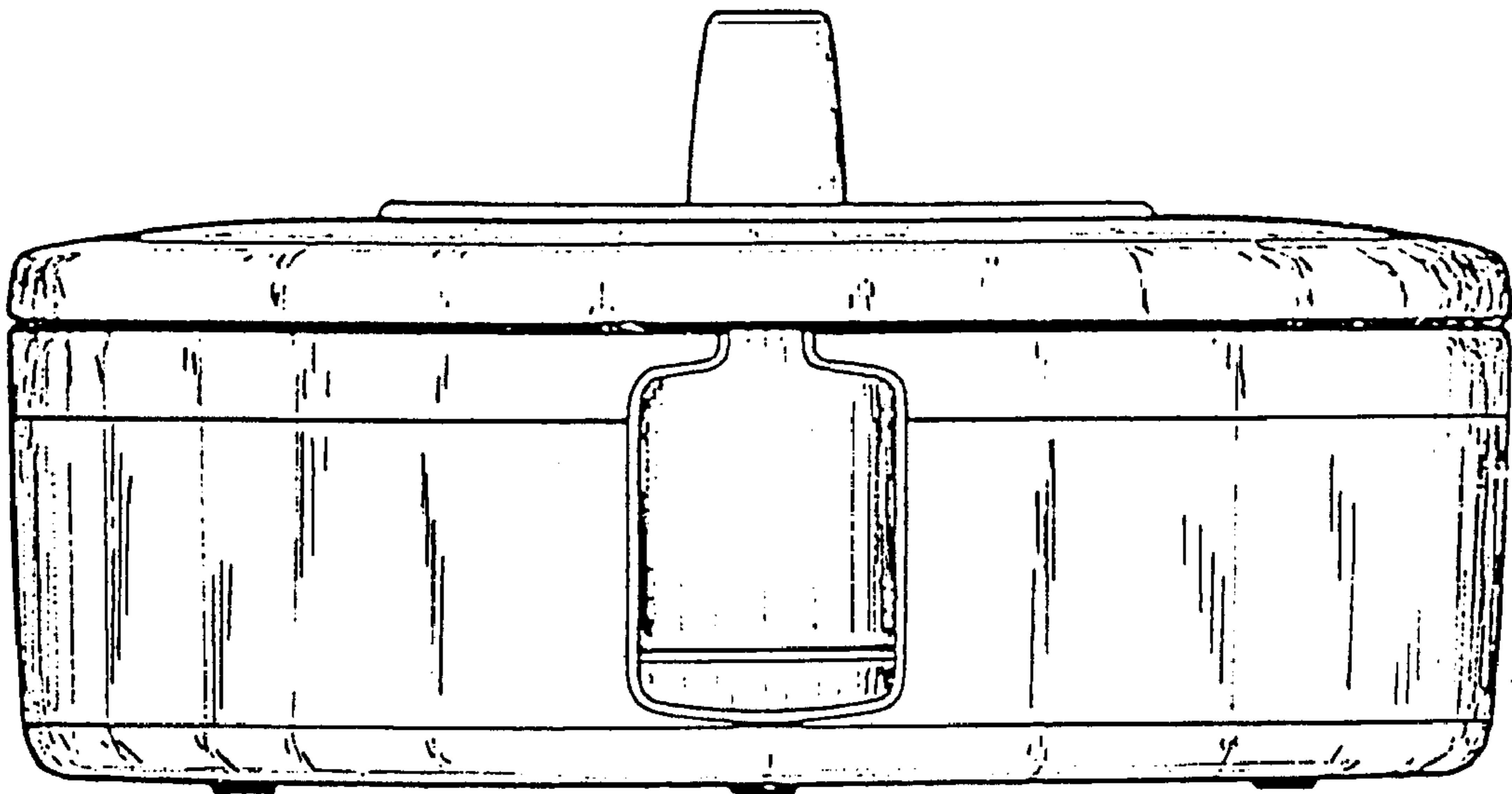


FIG. 4

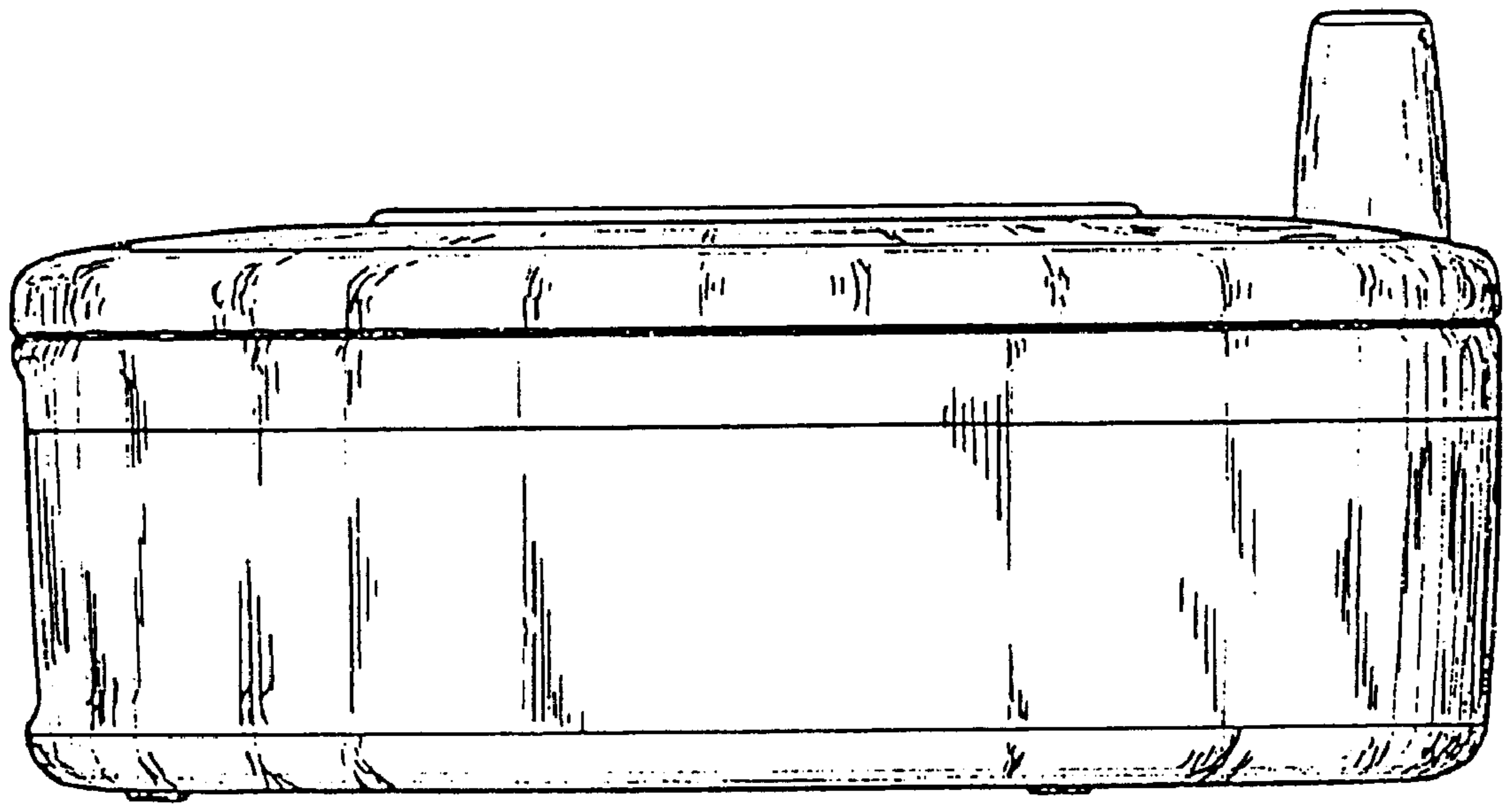


FIG. 5