



US00D443587S

(12) **United States Design Patent**
Sakasegawa

(10) **Patent No.:** **US D443,587 S**

(45) **Date of Patent:** **** Jun. 12, 2001**

(54) **SIGNAL INPUT DEVICE**

(75) **Inventor:** **Takeshi Sakasegawa, Abiko (JP)**

(73) **Assignee:** **SMC Kabushiki Kaisha, Tokyo (JP)**

(**) **Term:** **14 Years**

(21) **Appl. No.:** **29/121,691**

(22) **Filed:** **Apr. 12, 2000**

(30) **Foreign Application Priority Data**

Oct. 18, 1999 (JP) 11-28533
Oct. 18, 1999 (JP) 11-28534

(51) **LOC (7) Cl.** **13-02**

(52) **U.S. Cl.** **D13/123**

(58) **Field of Search** D13/158, 162,
D13/184, 123, 133, 146, 147, 153, 156;
361/686, 637; 439/579, 578, 639; 333/100,
101, 103; 307/147, 119, 116, 125; D14/433,
434, 357, 358, 356

(56) **References Cited**

U.S. PATENT DOCUMENTS

- D. 364,383 * 11/1995 Yamada et al. D13/146 X
- D. 388,396 * 12/1997 Meloche D13/146
- D. 432,987 * 10/2000 Seo et al. D13/123
- D. 433,998 * 11/2000 Ishitsuka et al. D13/123
- 5,000,692 * 3/1991 Taniguchi et al. 439/639 X
- 5,205,759 * 4/1993 Haderer 439/578 X
- 5,699,834 * 12/1997 Hayashi et al. D13/146 X

5,745,338 * 4/1998 Bartolo et al. 361/637

* cited by examiner

Primary Examiner—Brian N. Vinson

(74) *Attorney, Agent, or Firm*—Frishauf, Holtz, Goodman,
Langer & Chick, P.C.

(57) **CLAIM**

The ornamental design for a signal-input device, as shown.

DESCRIPTION

FIG. 1 is a top, front, right-side perspective view of a signal-input device showing a first embodiment of my new design;

FIG. 2 is a front view thereof;

FIG. 3 is a rear view thereof;

FIG. 4 is a top plan view thereof;

FIG. 5 is a bottom plan view thereof;

FIG. 6 is a left side view thereof;

FIG. 7 is a right side view thereof;

FIG. 8 is a top, front, right-side perspective view of a signal-input device showing a second embodiment of my new design;

FIG. 9 is a front view thereof;

FIG. 10 is a rear view thereof;

FIG. 11 is a top plan view thereof;

FIG. 12 is a bottom plan view thereof;

FIG. 13 is a left side view thereof; and,

FIG. 14 is a right side view thereof.

1 Claim, 8 Drawing Sheets

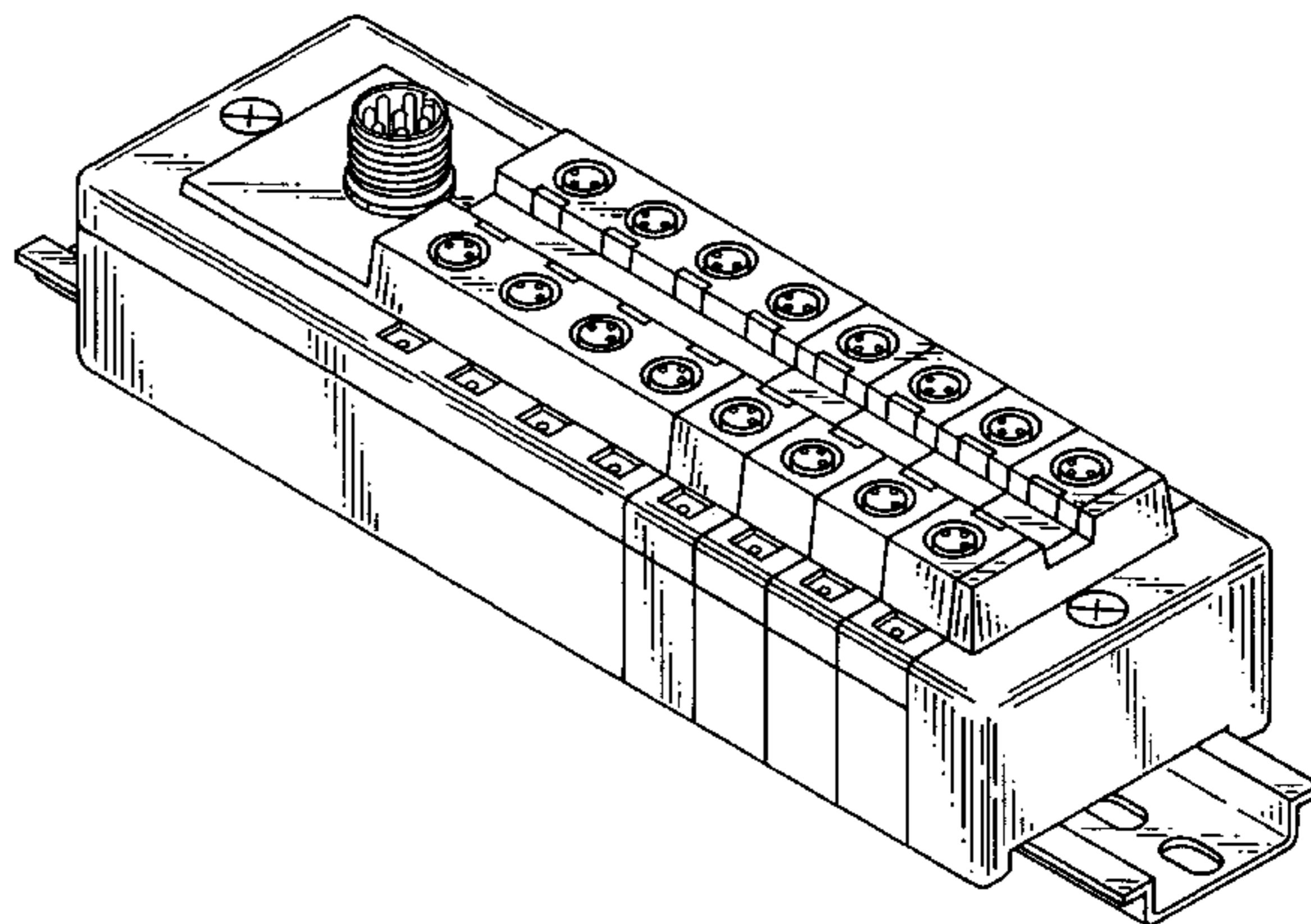
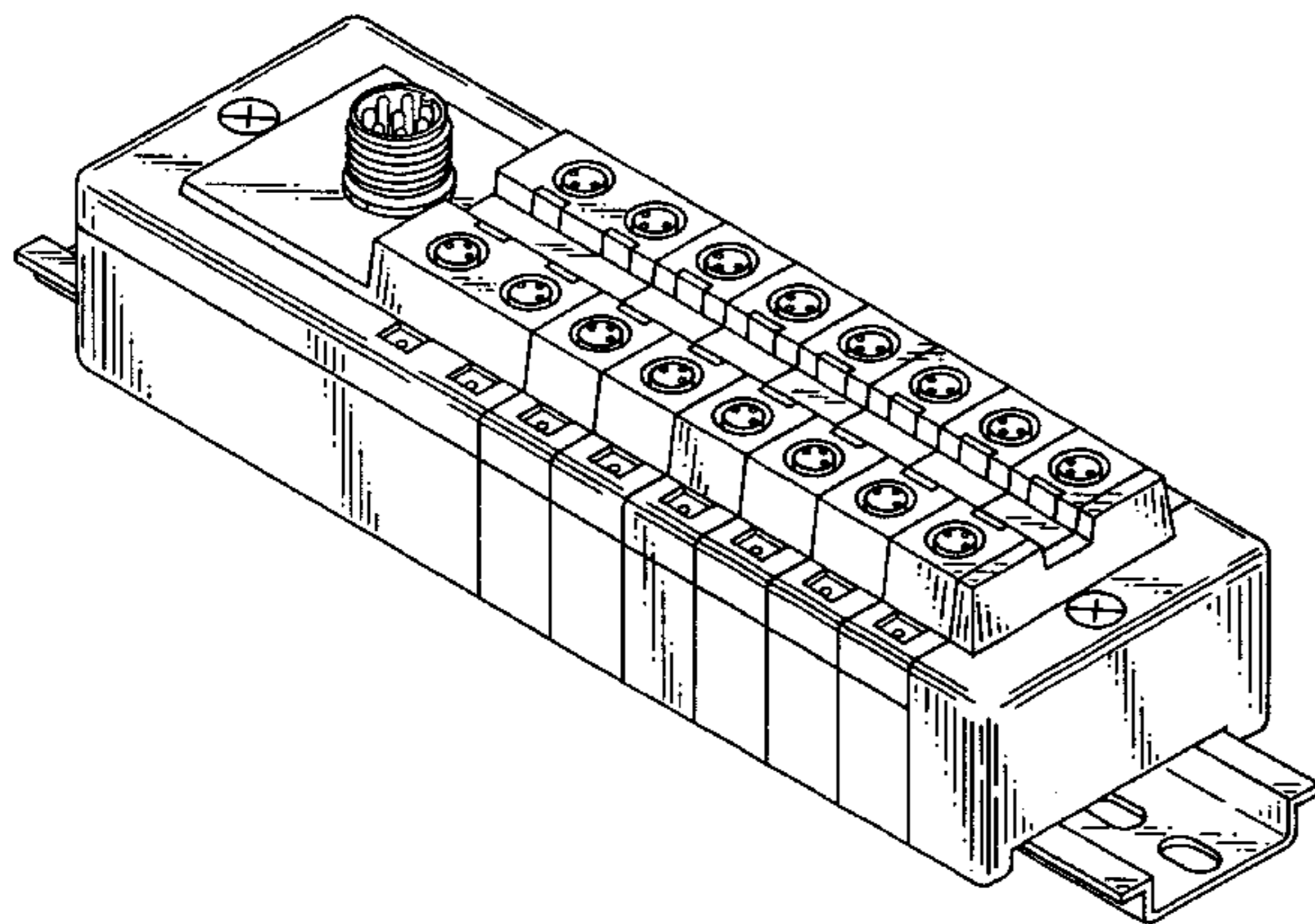


FIG. 1

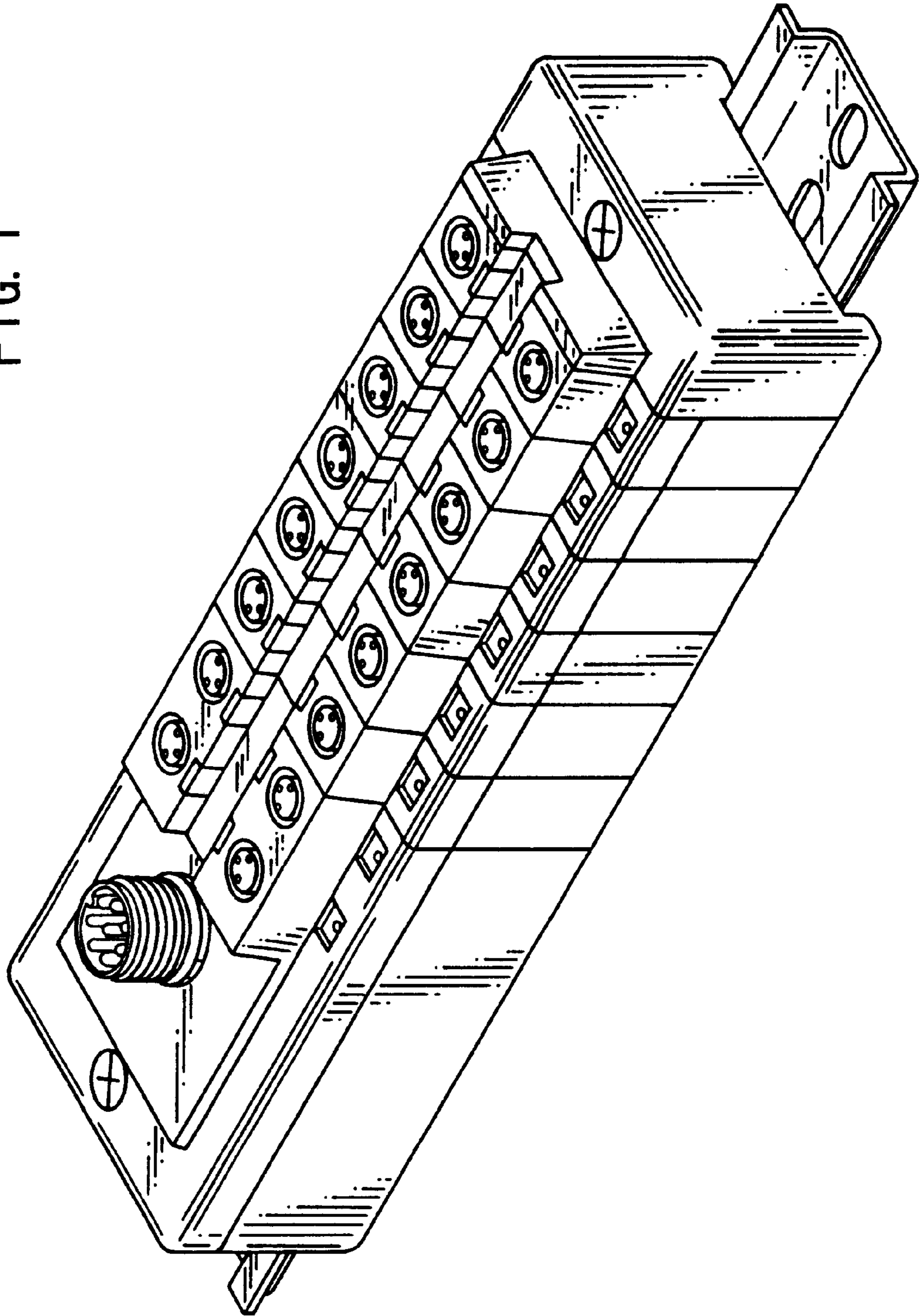


FIG. 2

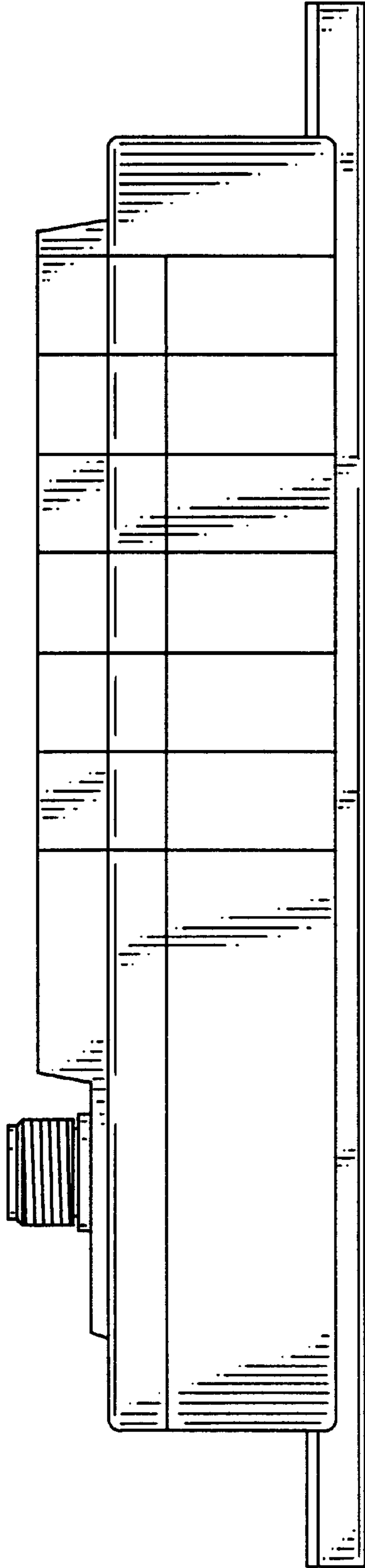


FIG. 3

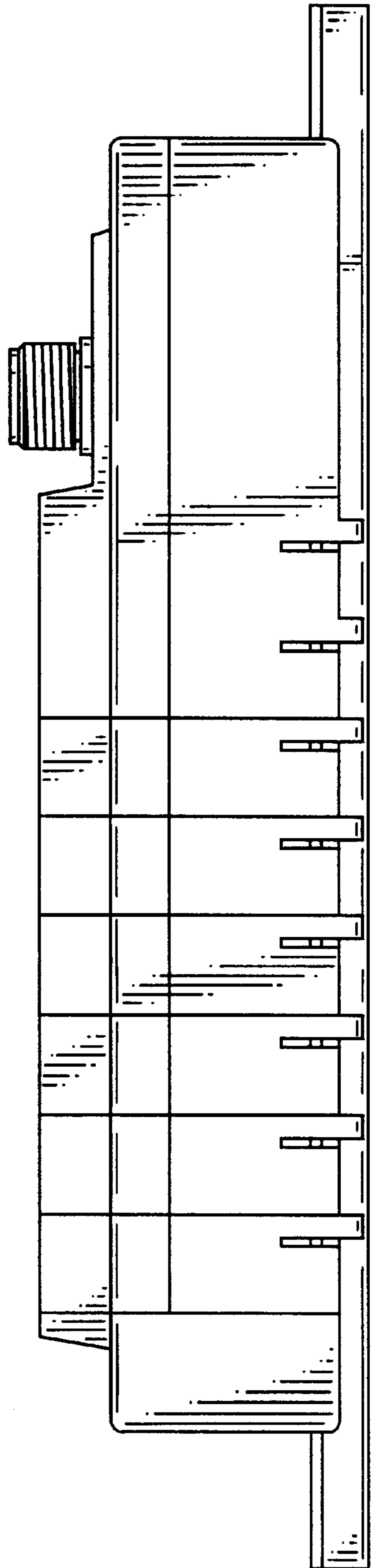


FIG. 4

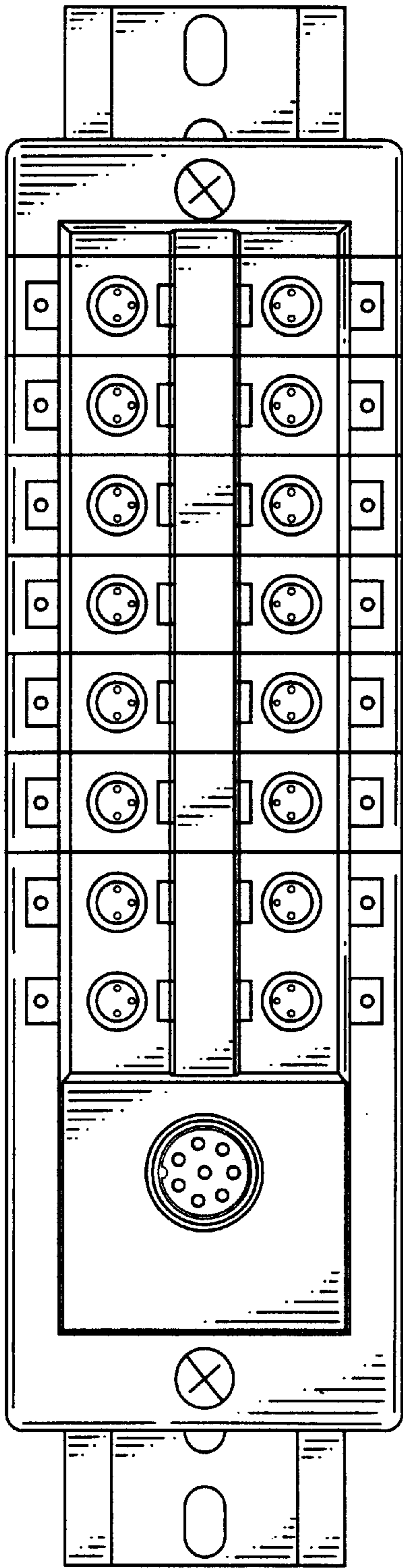


FIG. 5

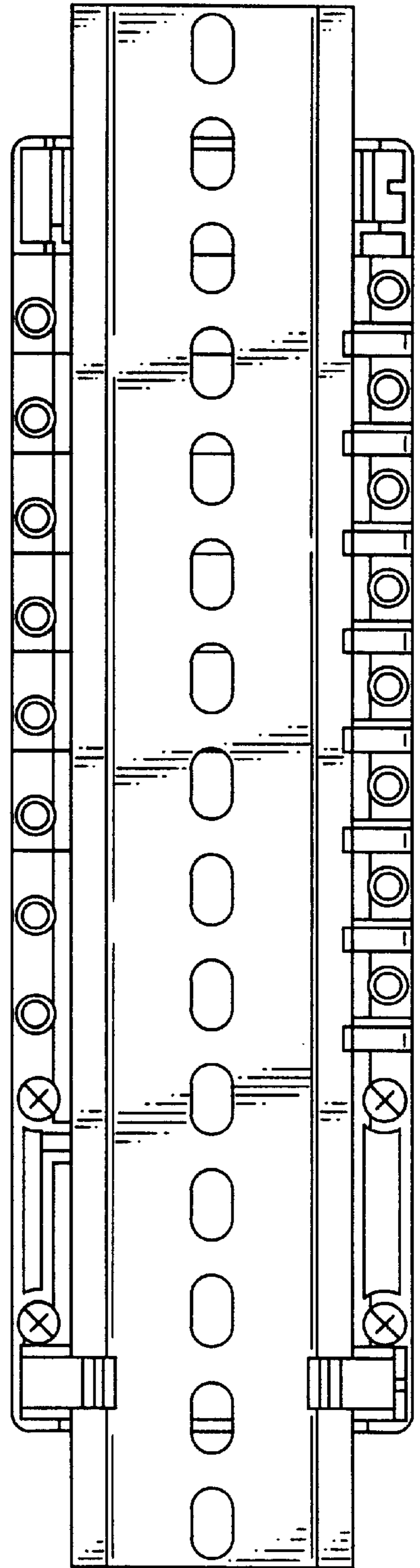


FIG. 7

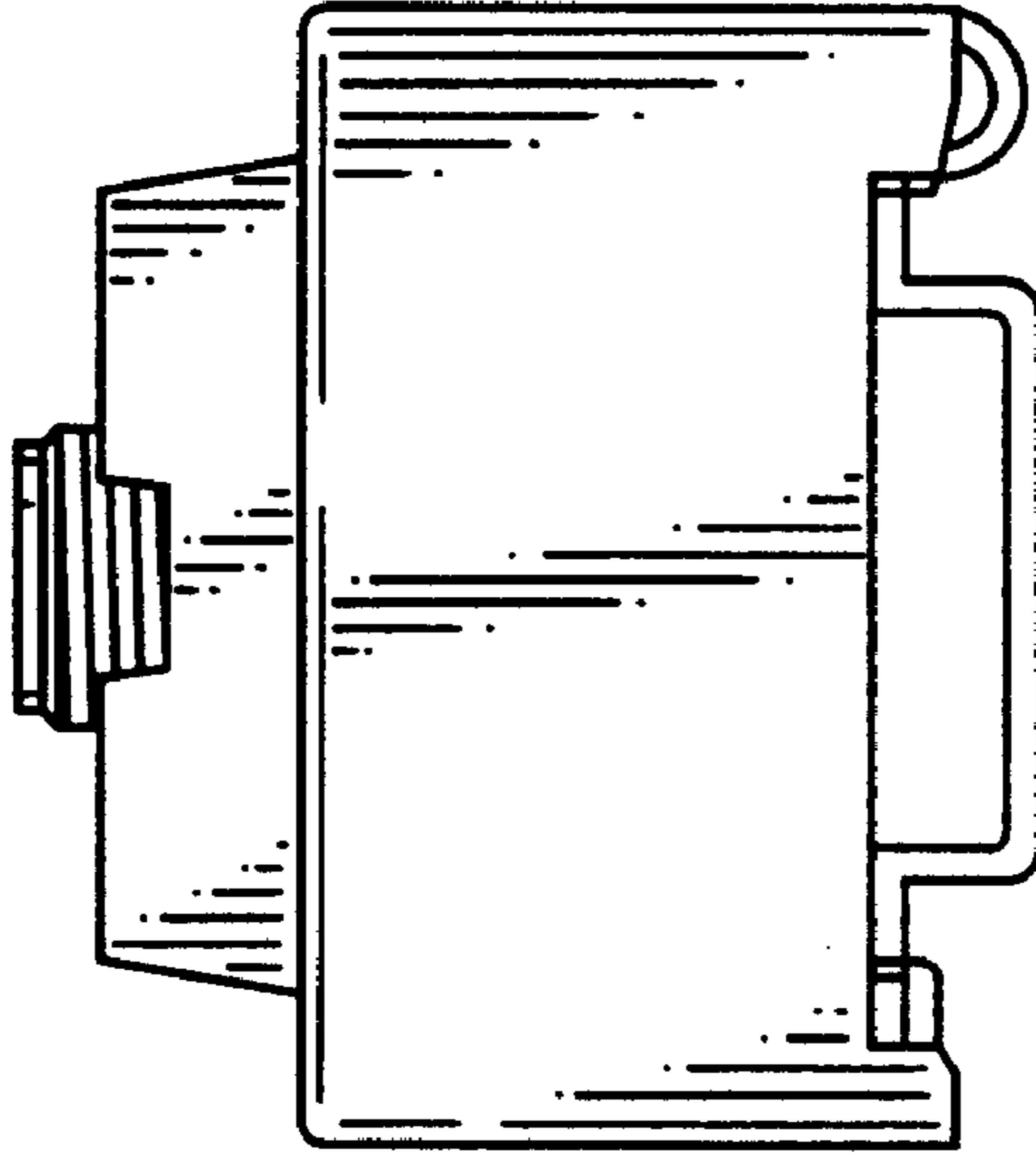


FIG. 6

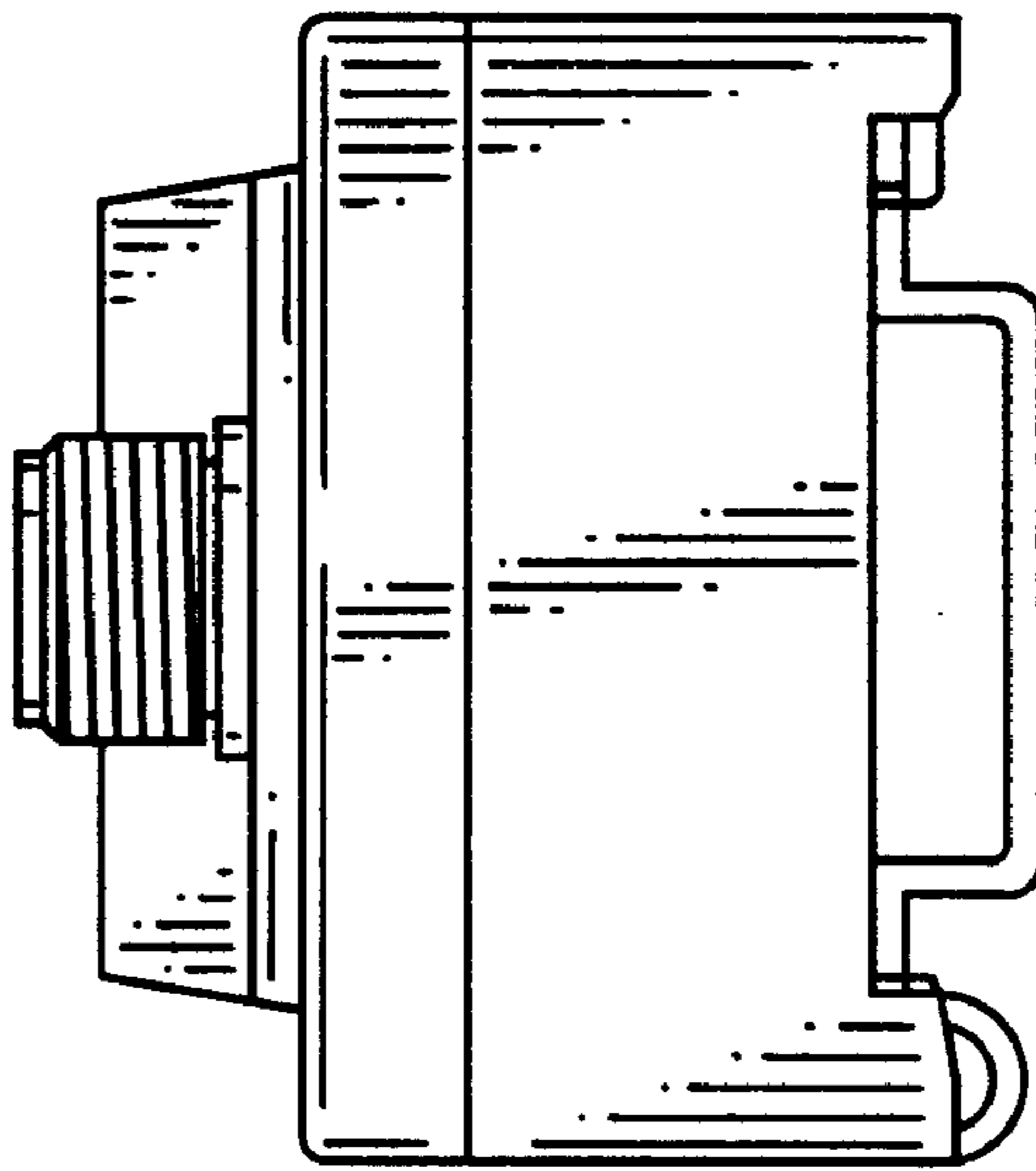


FIG. 8

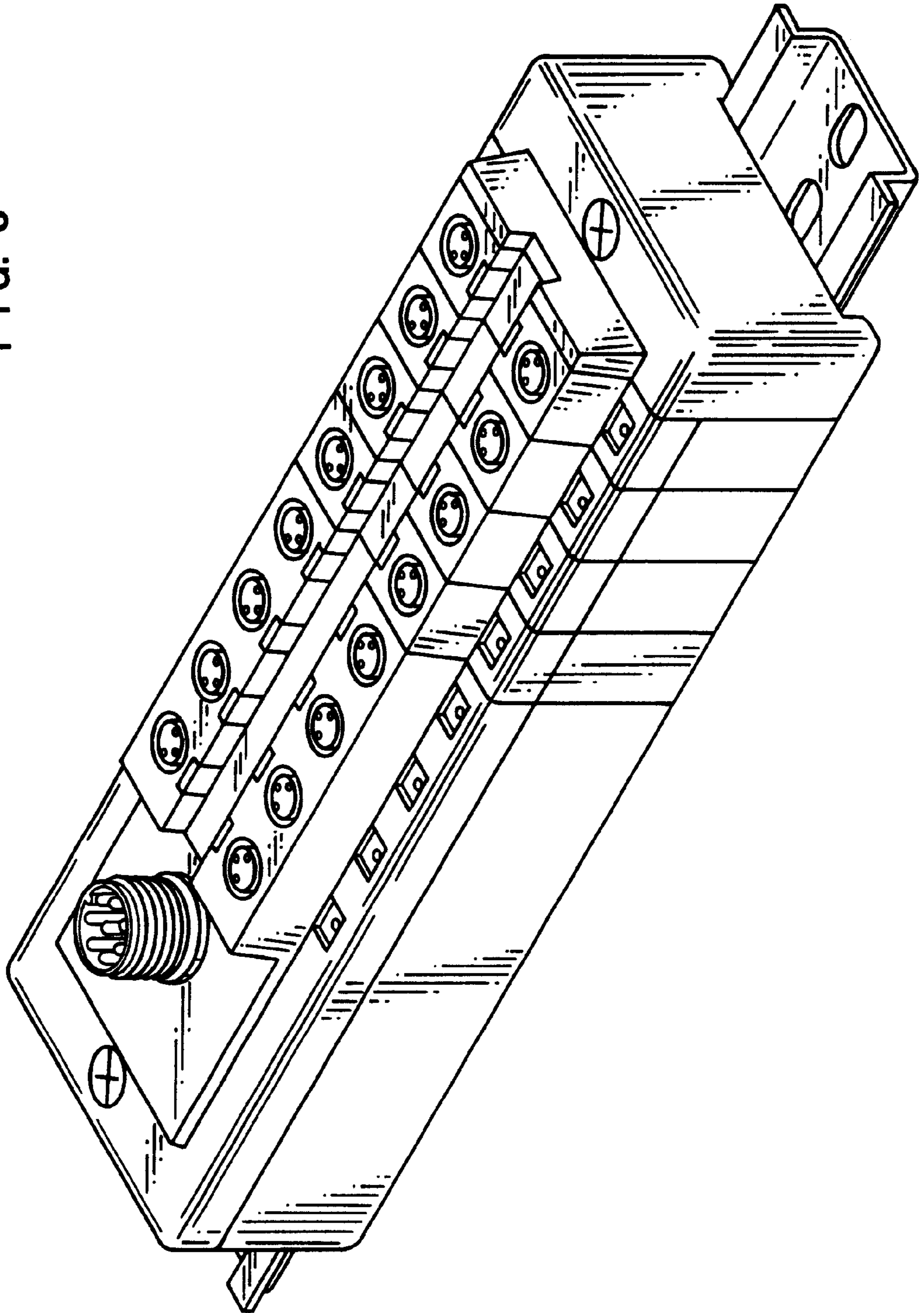


FIG. 9

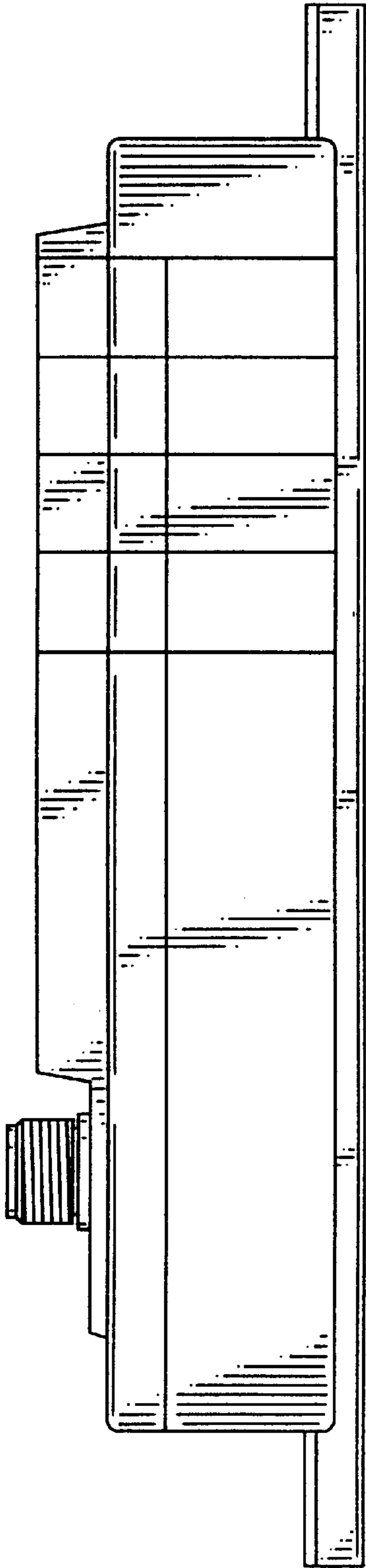


FIG. 10

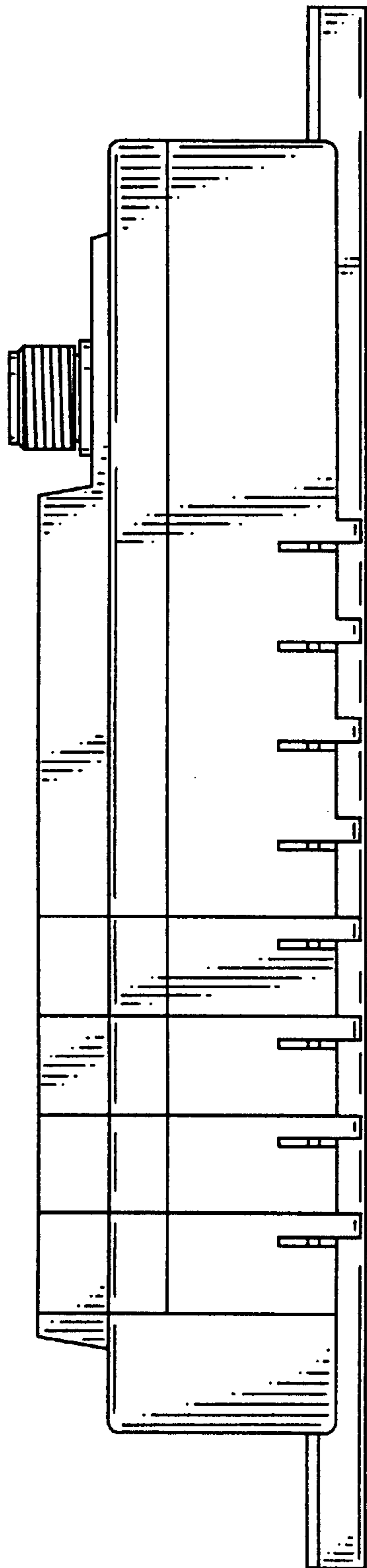


FIG. 11

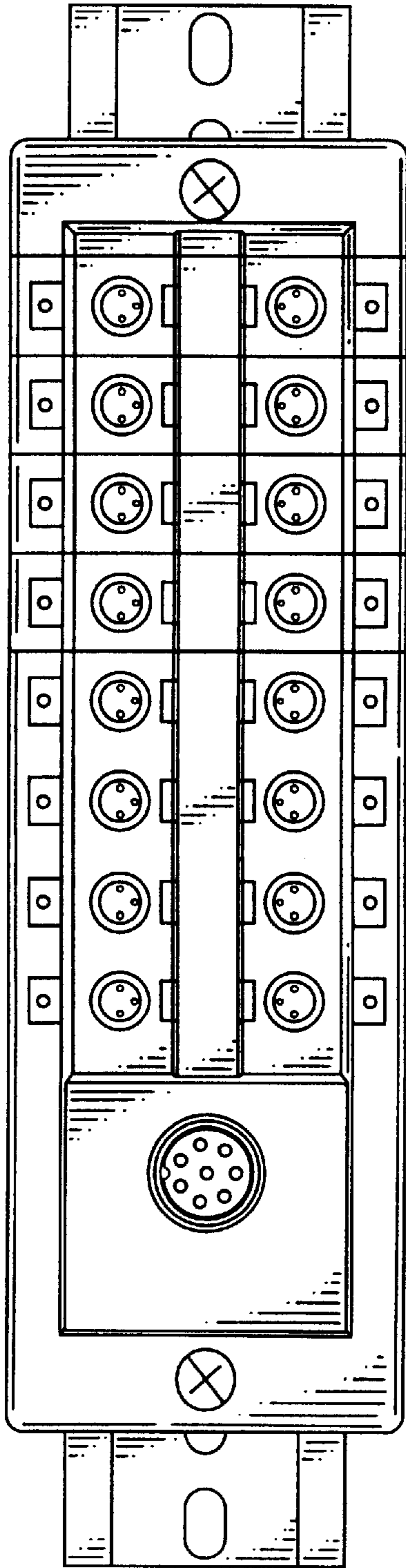


FIG. 12

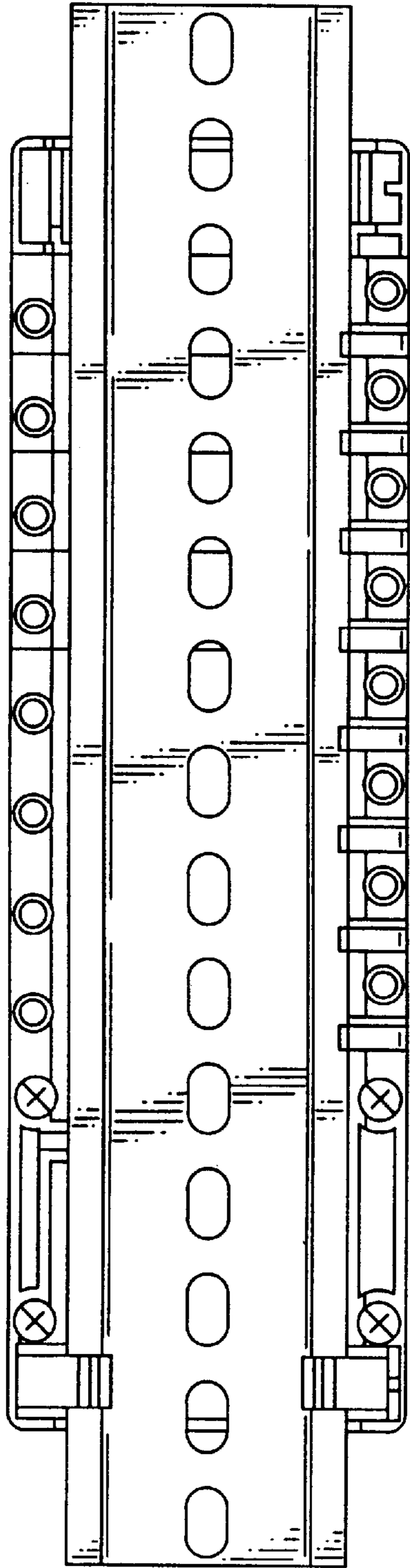


FIG. 14

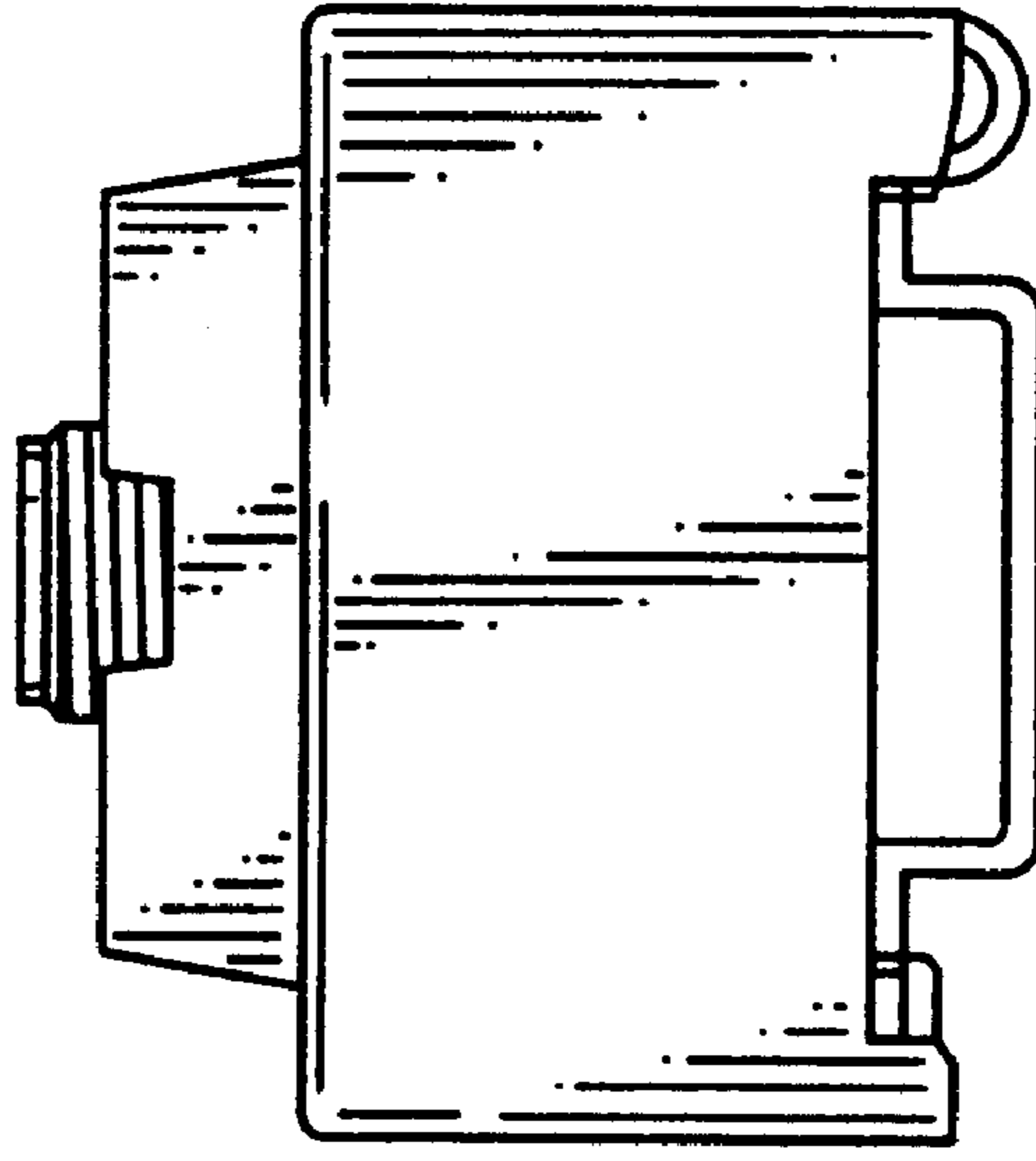


FIG. 13

