



US00D443586S

(12) **United States Design Patent**  
**Sakasegawa**

(10) **Patent No.:** **US D443,586 S**

(45) **Date of Patent:** **\*\* Jun. 12, 2001**

(54) **SIGNAL INPUT/OUTPUT CONVERTER**

(75) **Inventor:** **Takeshi Sakasegawa, Abiko (JP)**

(73) **Assignee:** **SMC Kabushiki Kaisha, Tokyo (JP)**

(\*\*) **Term:** **14 Years**

(21) **Appl. No.:** **29/121,682**

(22) **Filed:** **Apr. 12, 2000**

(30) **Foreign Application Priority Data**

Oct. 18, 1999 (JP) ..... 11-28524

(51) **LOC (7) Cl.** ..... **13-02**

(52) **U.S. Cl.** ..... **D13/123**

(58) **Field of Search** ..... D13/158, 162,  
D13/184, 123, 133, 146, 147, 153, 156;  
361/686, 637; 439/579, 578, 639; 333/100,  
101, 105; 307/147, 119, 116, 125, 433;  
D14/434, 357, 358, 356

(56) **References Cited**

**U.S. PATENT DOCUMENTS**

D. 364,383 \* 11/1995 Yamada et al. .... D13/146 X

D. 388,396 \* 12/1997 Meloche ..... D13/146

D. 432,987 \* 10/2000 Seo et al. .... D13/123

D. 433,998 \* 11/2000 Ishitsuka et al. .... D13/123

5,000,592 \* 3/1991 Taniguchi et al. .... 439/639 X

5,205,759 \* 4/1993 Haderer ..... 439/578 X

5,699,834 \* 12/1997 Hayashi et al. .... D13/146 X

5,745,338 \* 4/1998 Bartolo et al. .... 361/637

\* cited by examiner

*Primary Examiner*—Brian N. Vinson

(74) *Attorney, Agent, or Firm*—Frishauf, Holtz, Goodman,  
Langer & Chick, P.C.

(57) **CLAIM**

The ornamental design for a signal input/output converter, as shown.

**DESCRIPTION**

FIG. 1 is a top, front, right-side perspective view of a signal input/output converter showing my new design;

FIG. 2 is a front view thereof;

FIG. 3 is a right side view thereof;

FIG. 4 is a top plan view thereof;

FIG. 5 is a bottom plan view thereof;

FIG. 6 is a rear view thereof; and,

FIG. 7 is a left side view thereof.

**1 Claim, 2 Drawing Sheets**

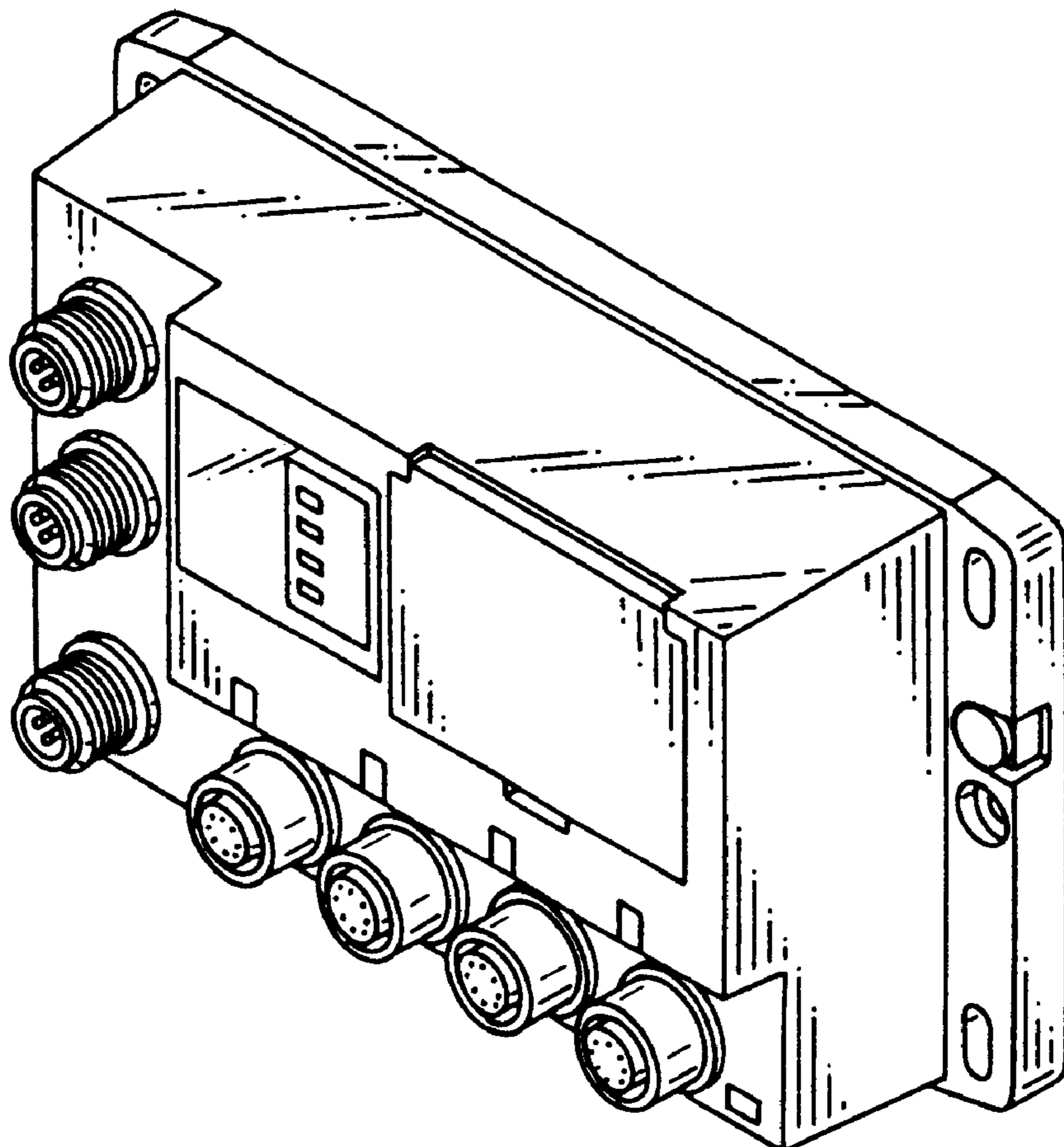


FIG. 1

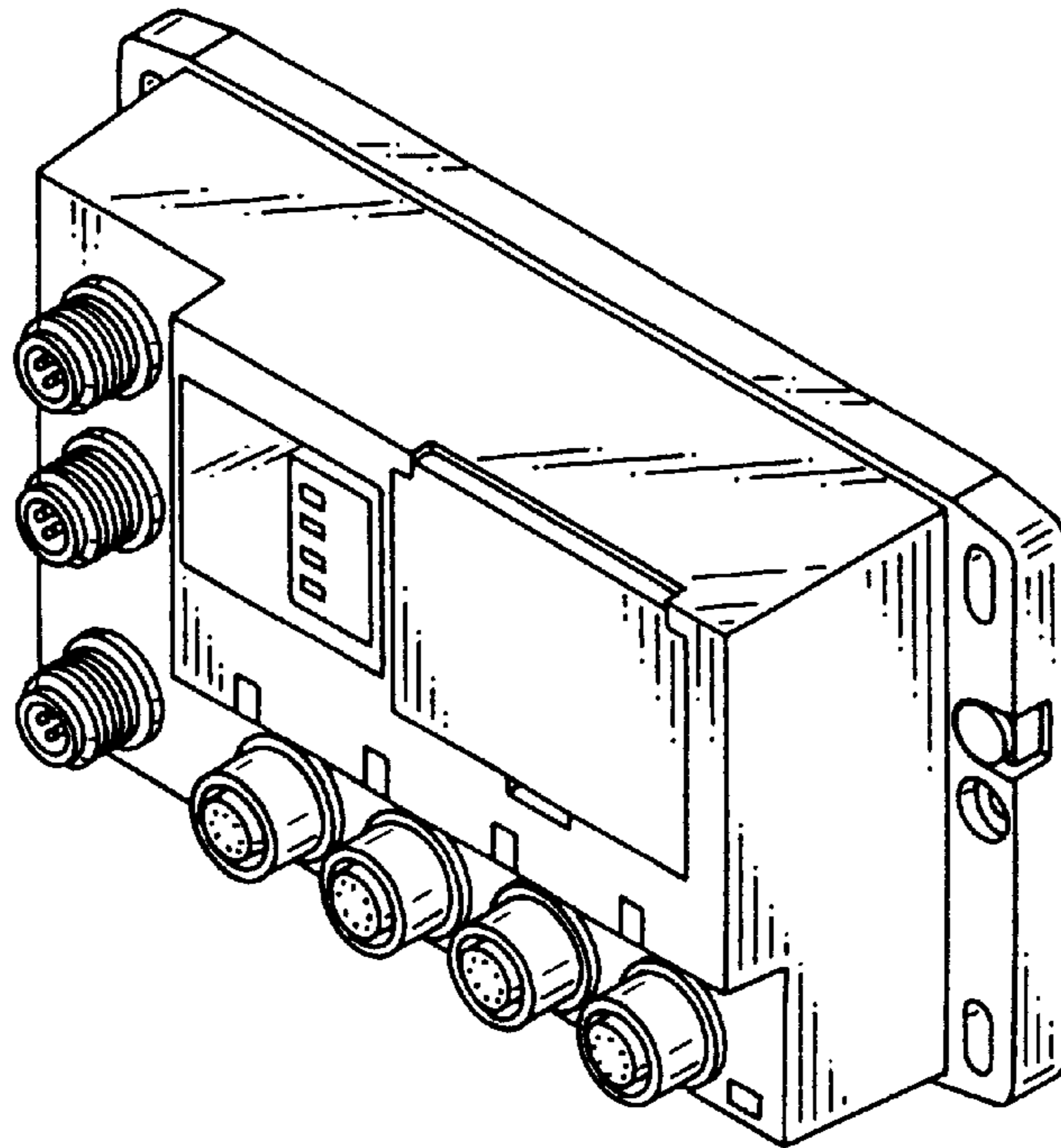


FIG. 2

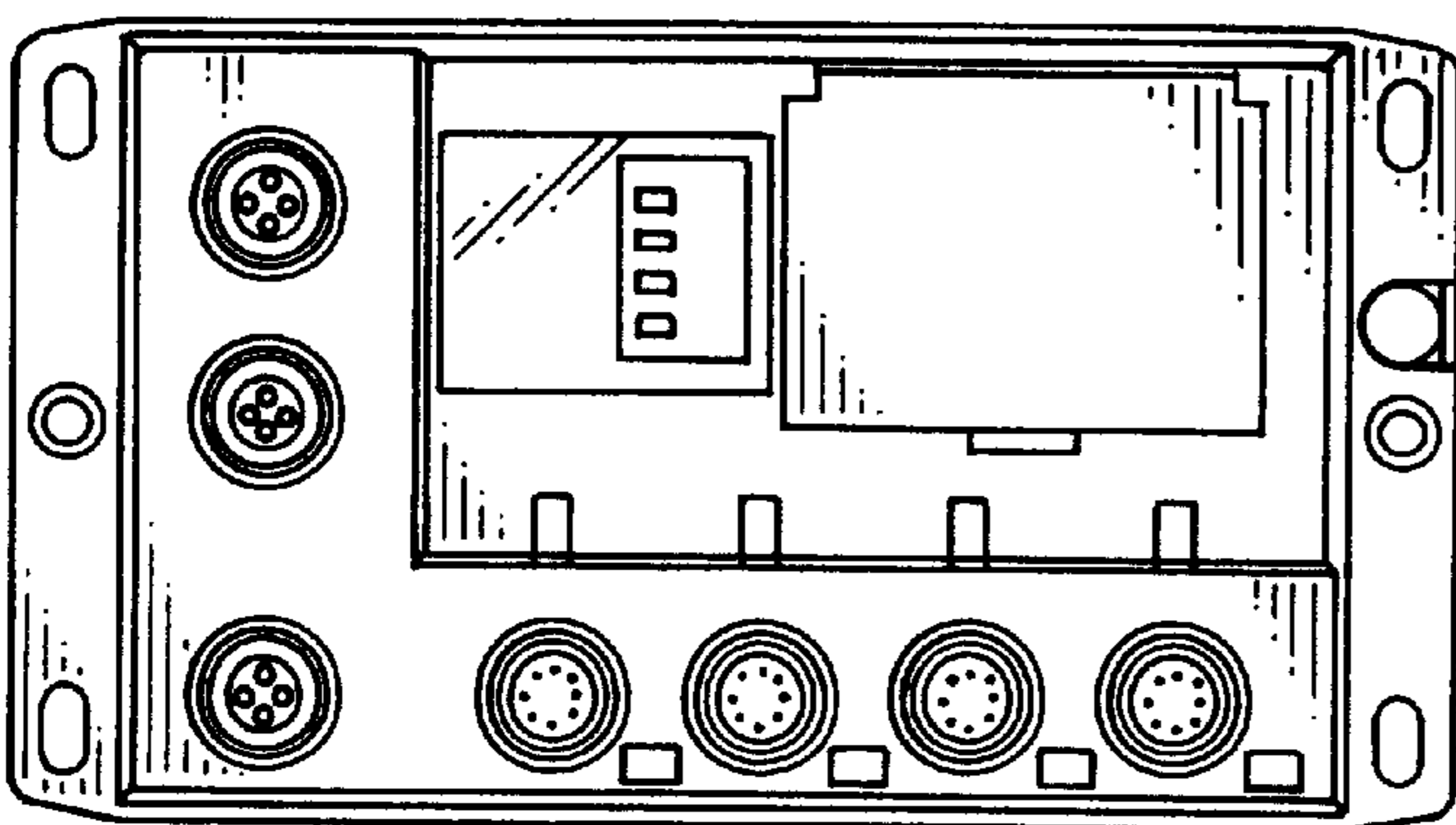


FIG. 3

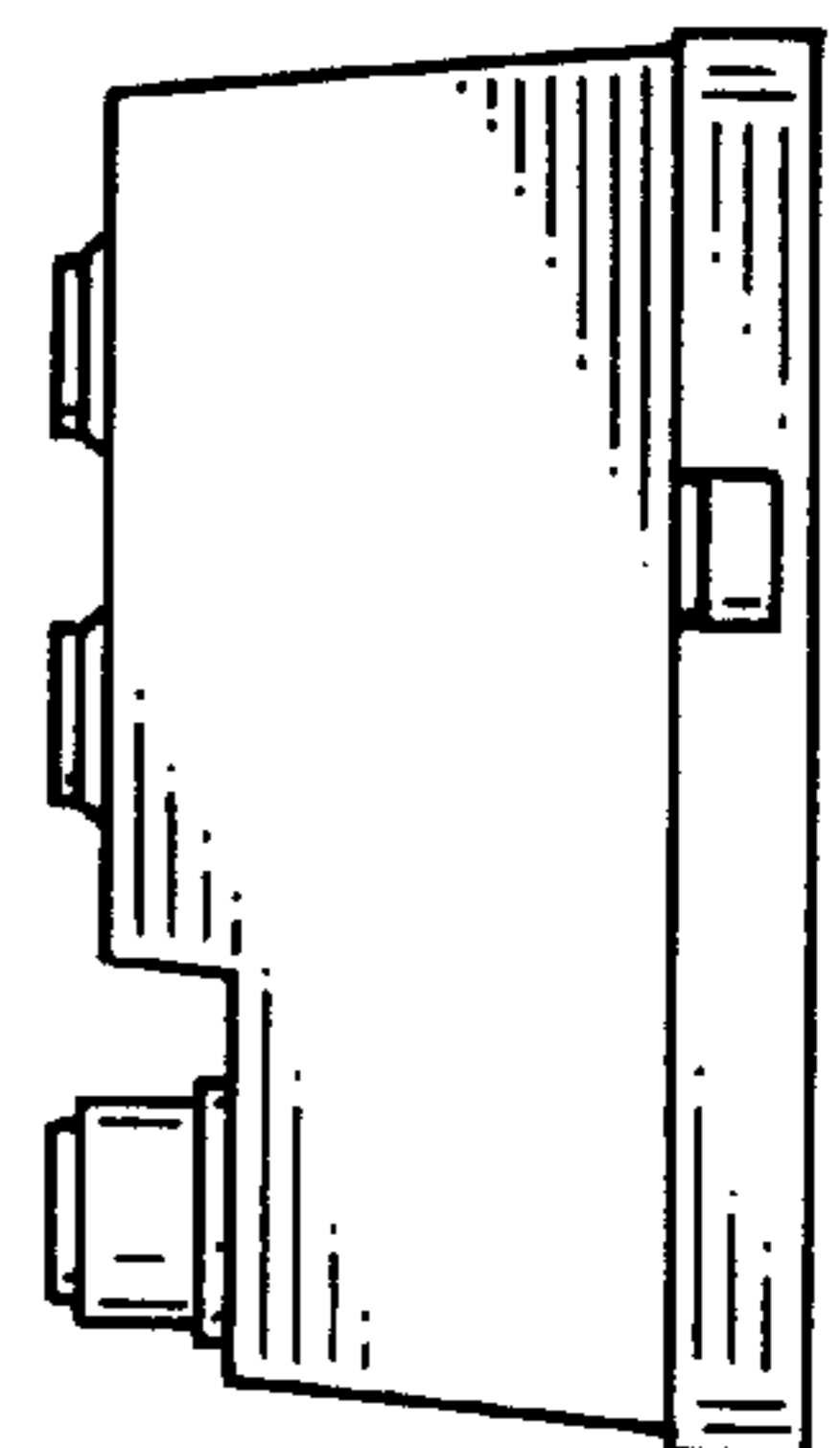


FIG. 4

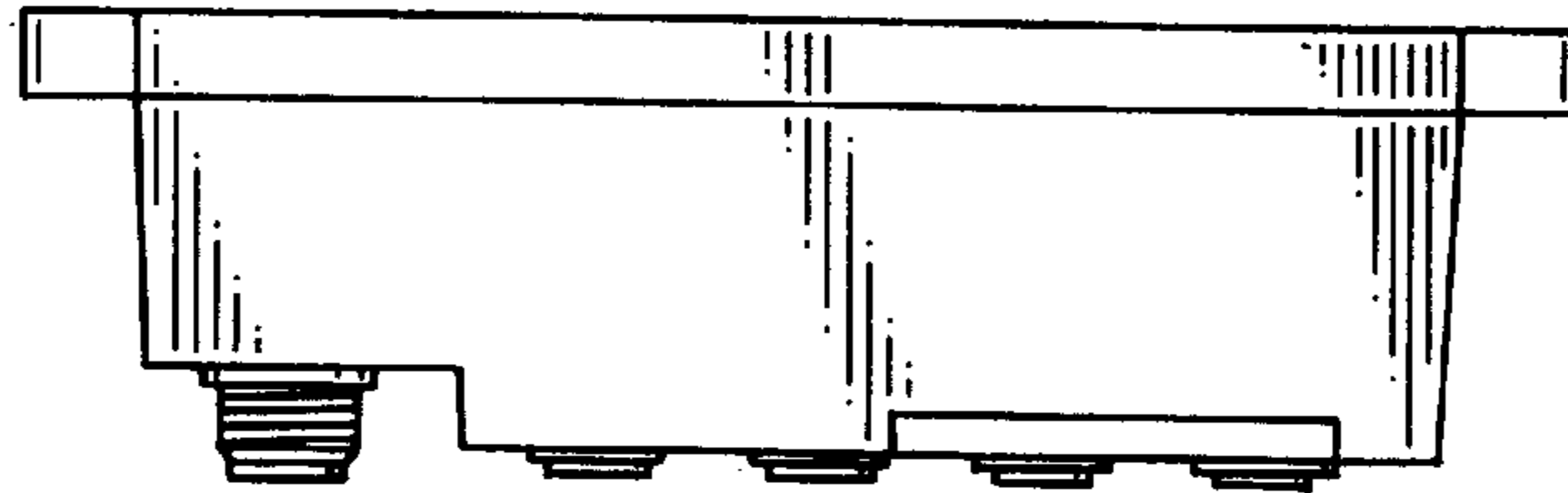


FIG. 5

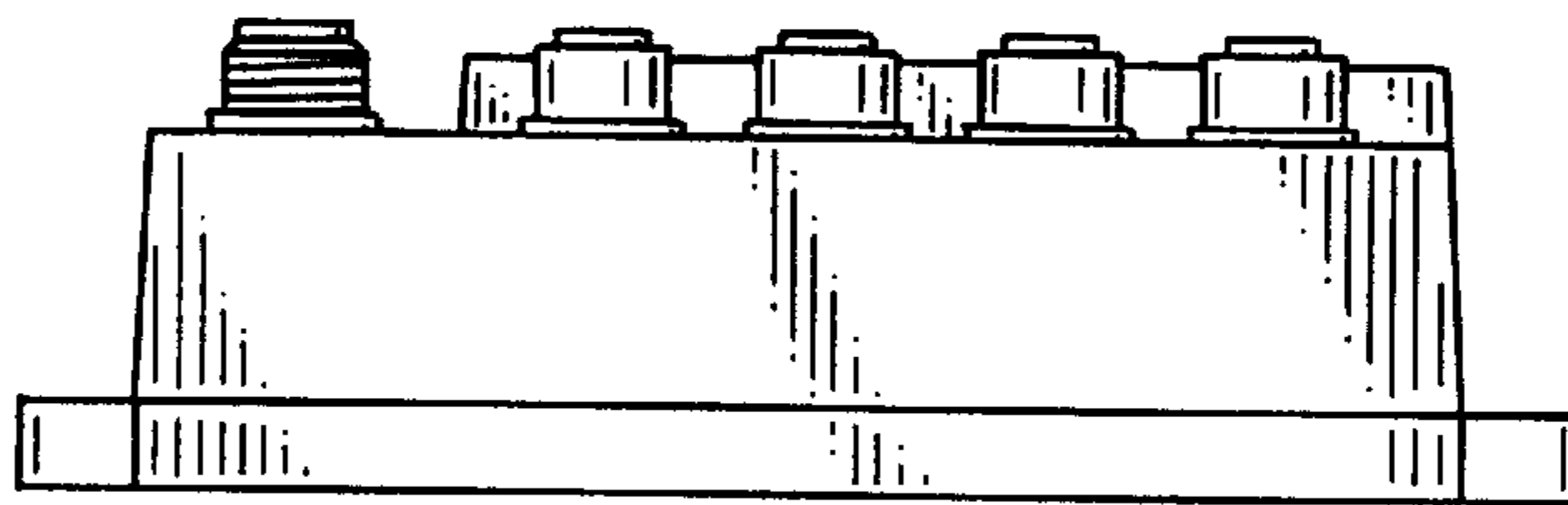


FIG. 6

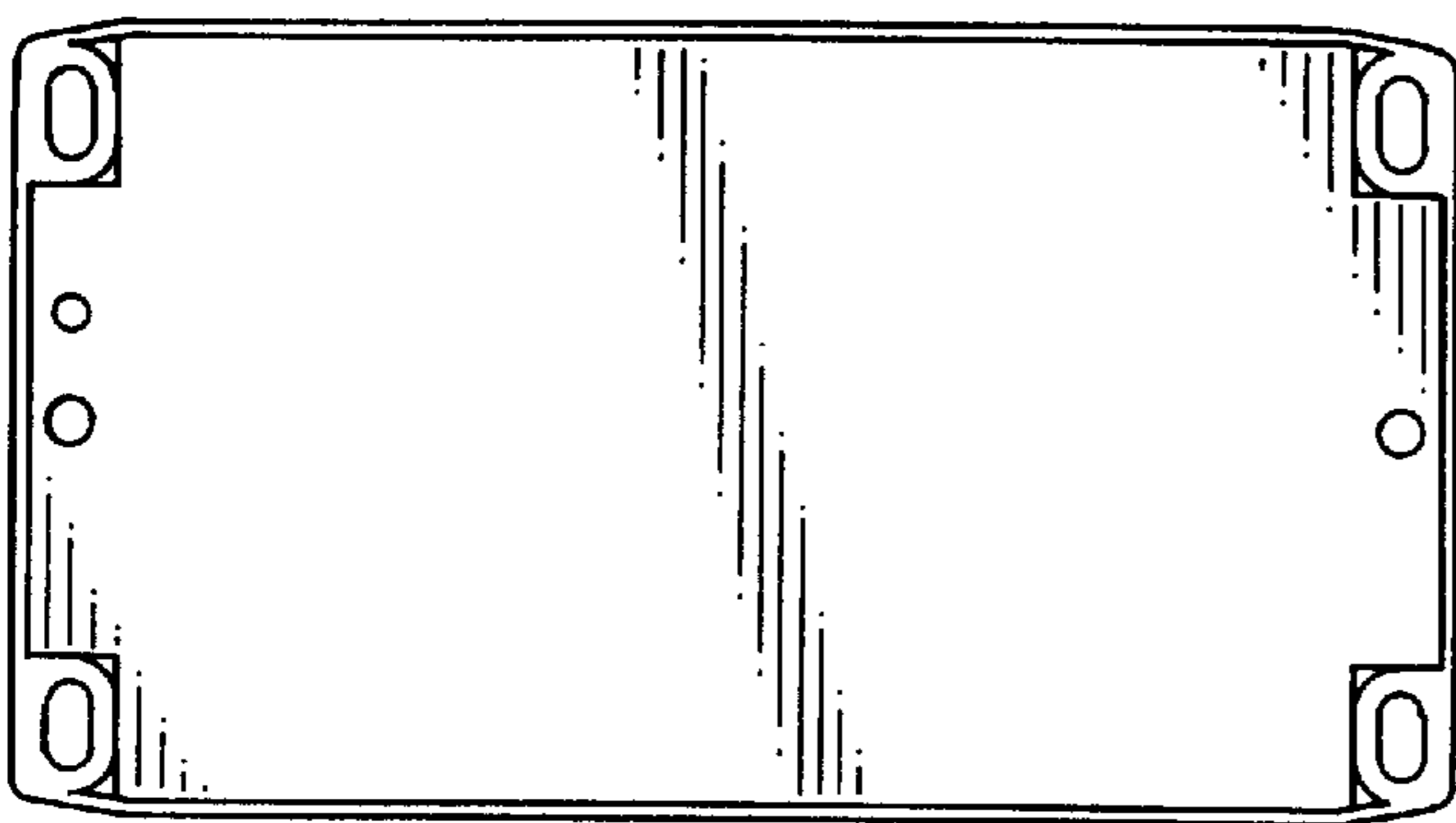


FIG. 7

