



US00D443585S

(12) **United States Design Patent**
Shida et al.

(10) **Patent No.:** **US D443,585 S**

(45) **Date of Patent:** **** Jun. 12, 2001**

(54) **CORE FOR A STATOR**

(75) Inventors: **Yoshiharu Shida**, Shizuoka-ken;
Toshihiko Futami, Fuji; **Katsumi Fukagawa**, Fujinomiya; **Yoshiaki Inaba**, Fuji; **Kazumoto Imazawa**, Shizuoka-ken; **Kiyotaka Kawamura**, Numazu, all of (JP)

(73) Assignee: **Toshiba Carrier Corporation**, Tokyo (JP)

(**) Term: **14 Years**

(21) Appl. No.: **29/108,140**

(22) Filed: **Jul. 22, 1999**

(30) **Foreign Application Priority Data**

Jan. 25, 1999 (JP) 11-1515

(51) **LOC (7) Cl.** **13-01**

(52) **U.S. Cl.** **D13/122**

(58) **Field of Search** D13/118, 122;
310/201, 254-260, 261-271, 156, 216

(56) **References Cited**

U.S. PATENT DOCUMENTS

2,731,574 * 1/1956 Soredal 310/49 R
5,194,775 * 3/1993 Cooper 310/260
5,485,046 * 1/1996 Kaplan et al. 310/166
5,811,907 * 9/1998 Fukuda et al. 310/254
5,861,699 * 1/1999 Kopac 310/254

5,877,572 * 3/1999 Michaels et al. 310/179
5,998,896 * 12/1999 Early et al. 310/259 X
6,020,661 * 2/2000 Trago et al. 310/43
6,023,119 * 2/2000 Asao 310/216
6,066,904 * 5/2000 Fei et al. 310/168
6,072,259 * 6/2000 Kawabata et al. 310/216
6,081,059 * 6/2000 Hsu 310/259 X

FOREIGN PATENT DOCUMENTS

720445 12/1987 (JP) .
758909 3/1989 (JP) .
783042 3/1990 (JP) .

* cited by examiner

Primary Examiner—Joel Sincavage

(74) *Attorney, Agent, or Firm*—Oblon, Spivak, McClelland, Maier & Neustadt, P.C.

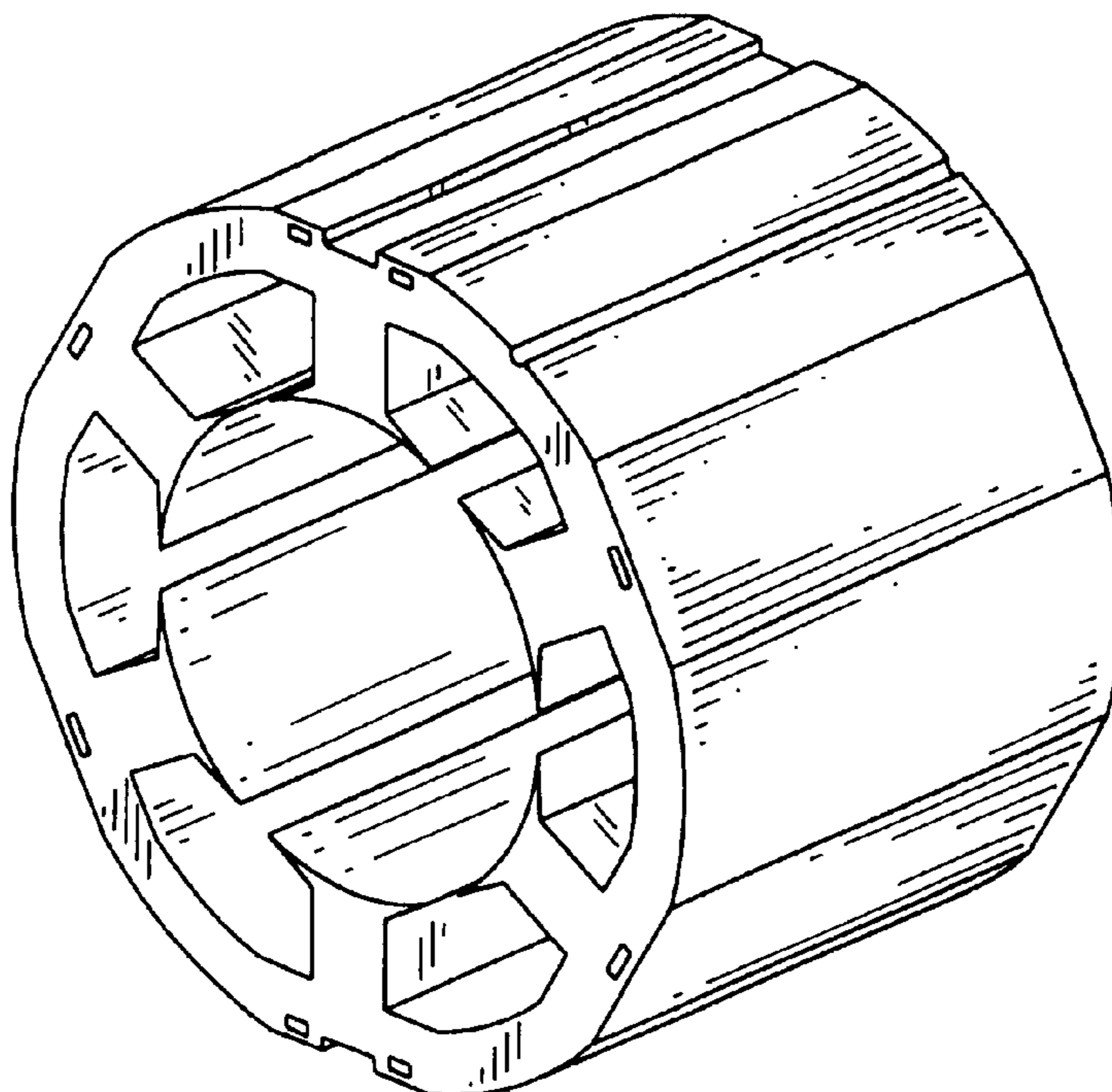
(57) **CLAIM**

The ornamental design for a core for a stator, as shown.

DESCRIPTION

FIG. 1 is a front, top and right side perspective view of a core for a stator showing our new design;
FIG. 2 is a front elevational view thereof;
FIG. 3 is a rear elevational view thereof;
FIG. 4 is a top plan view thereof;
FIG. 5 is a bottom plan view thereof;
FIG. 6 is a left side elevational view thereof; and,
FIG. 7 is a right side elevational view thereof.

1 Claim, 2 Drawing Sheets



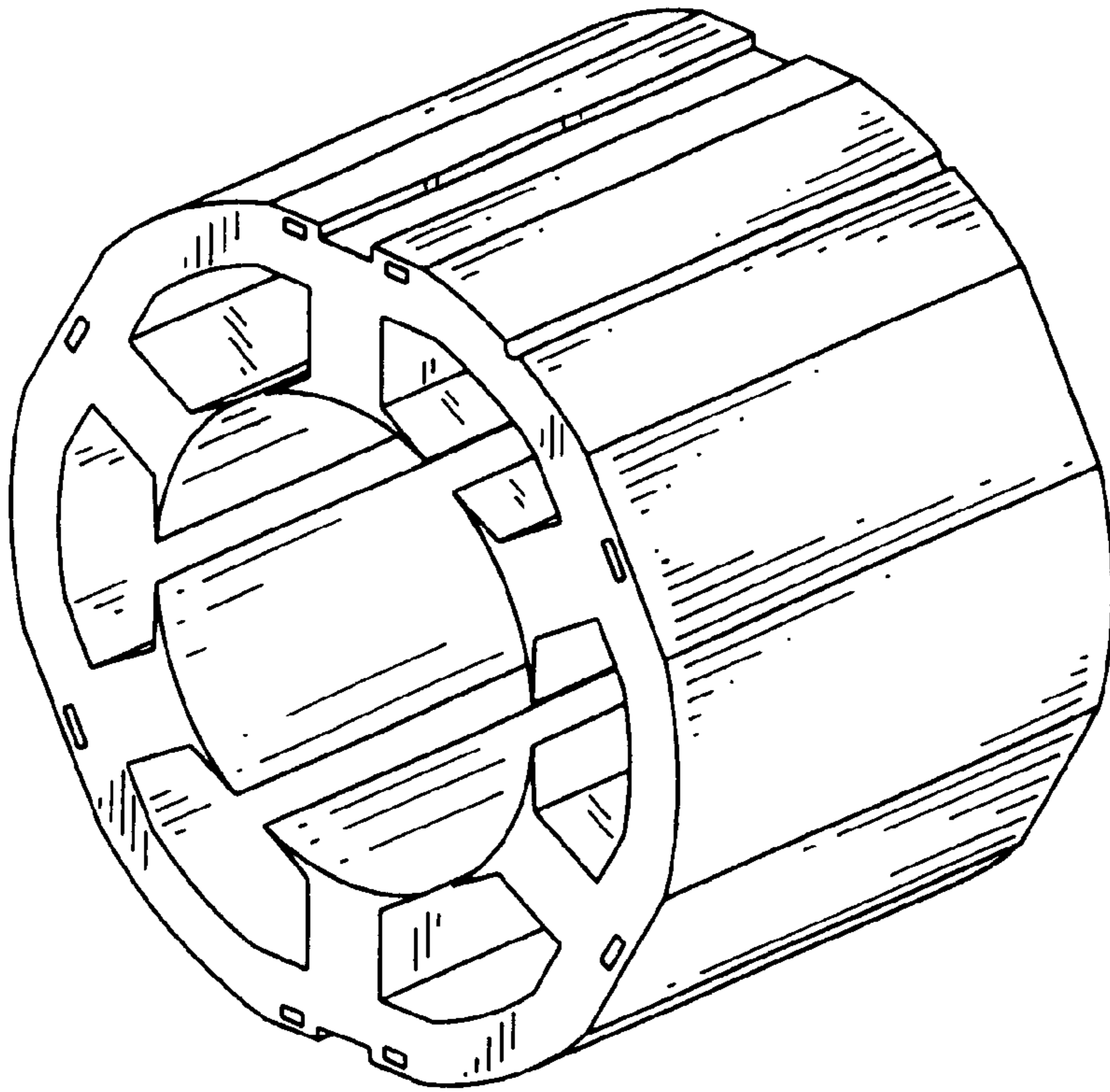


Fig. 1

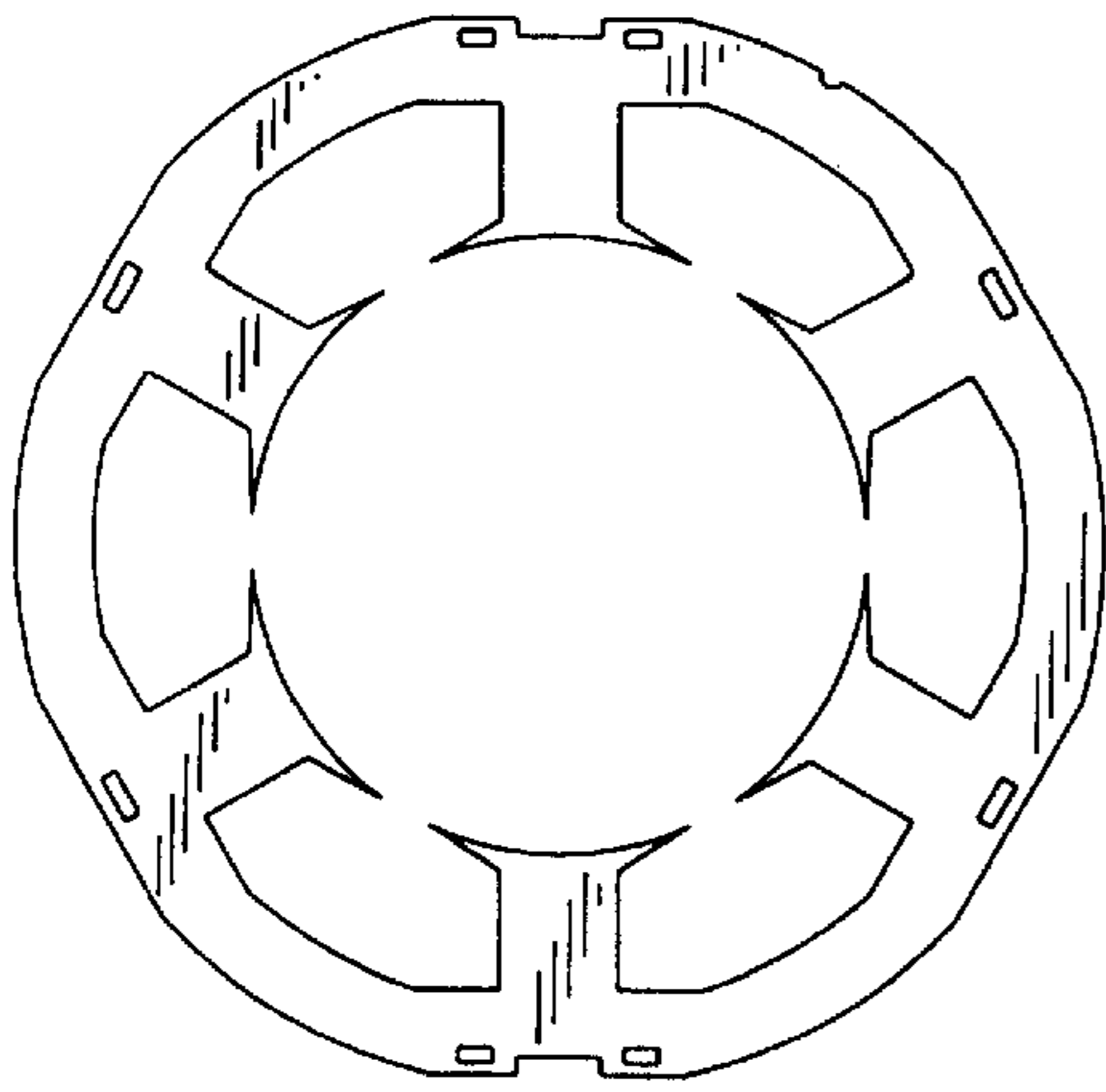


Fig. 2

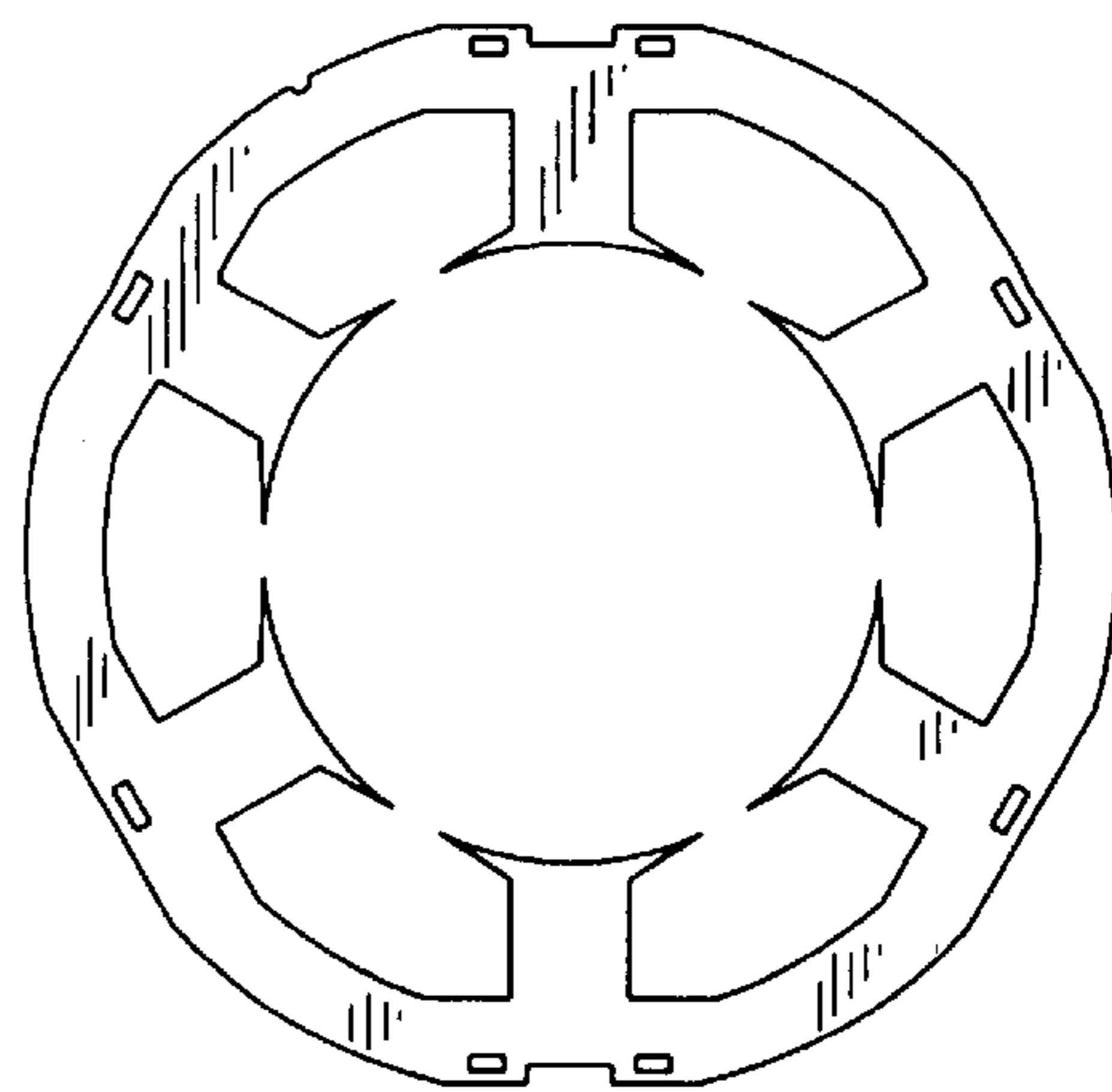


Fig. 3

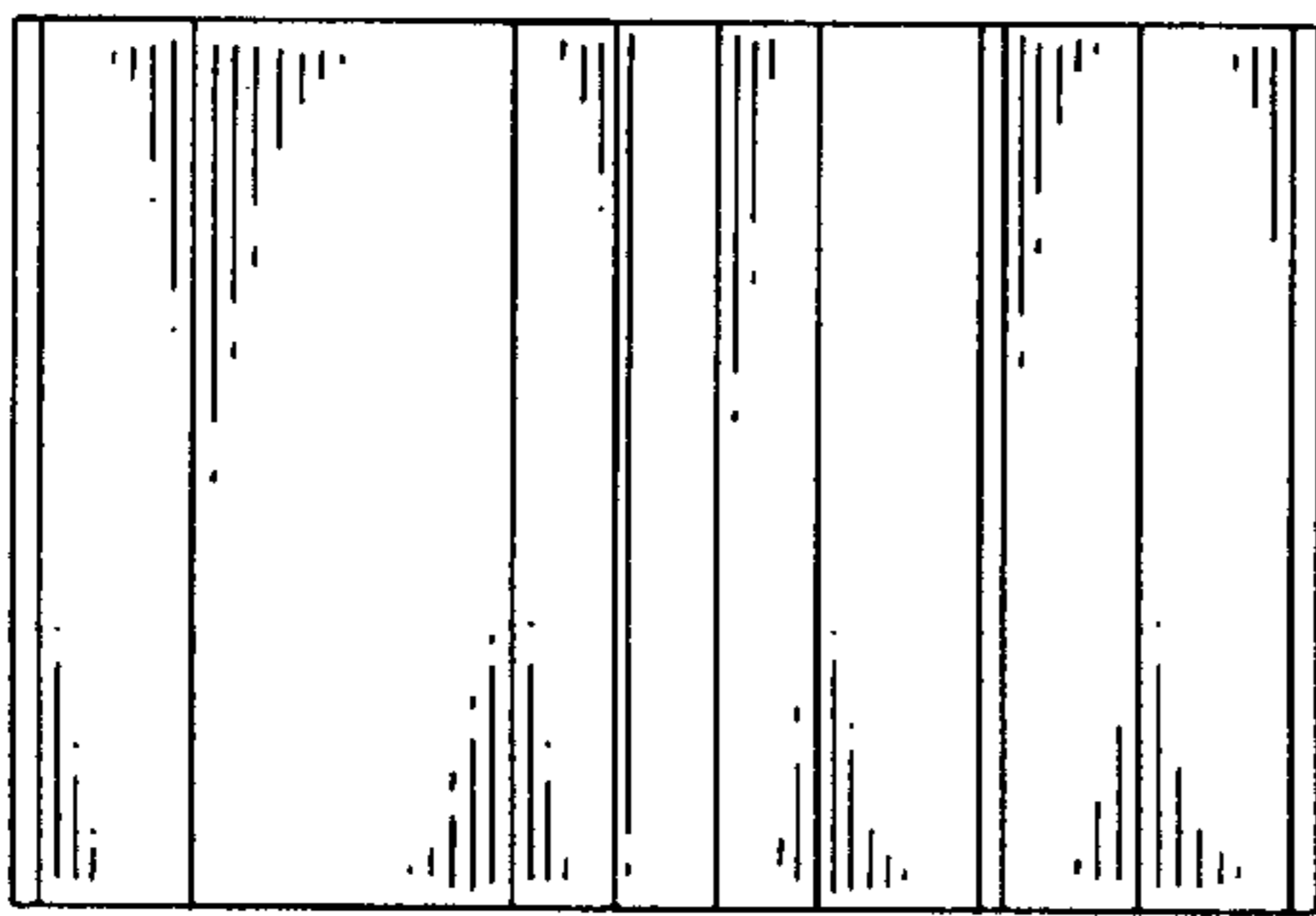


Fig. 4

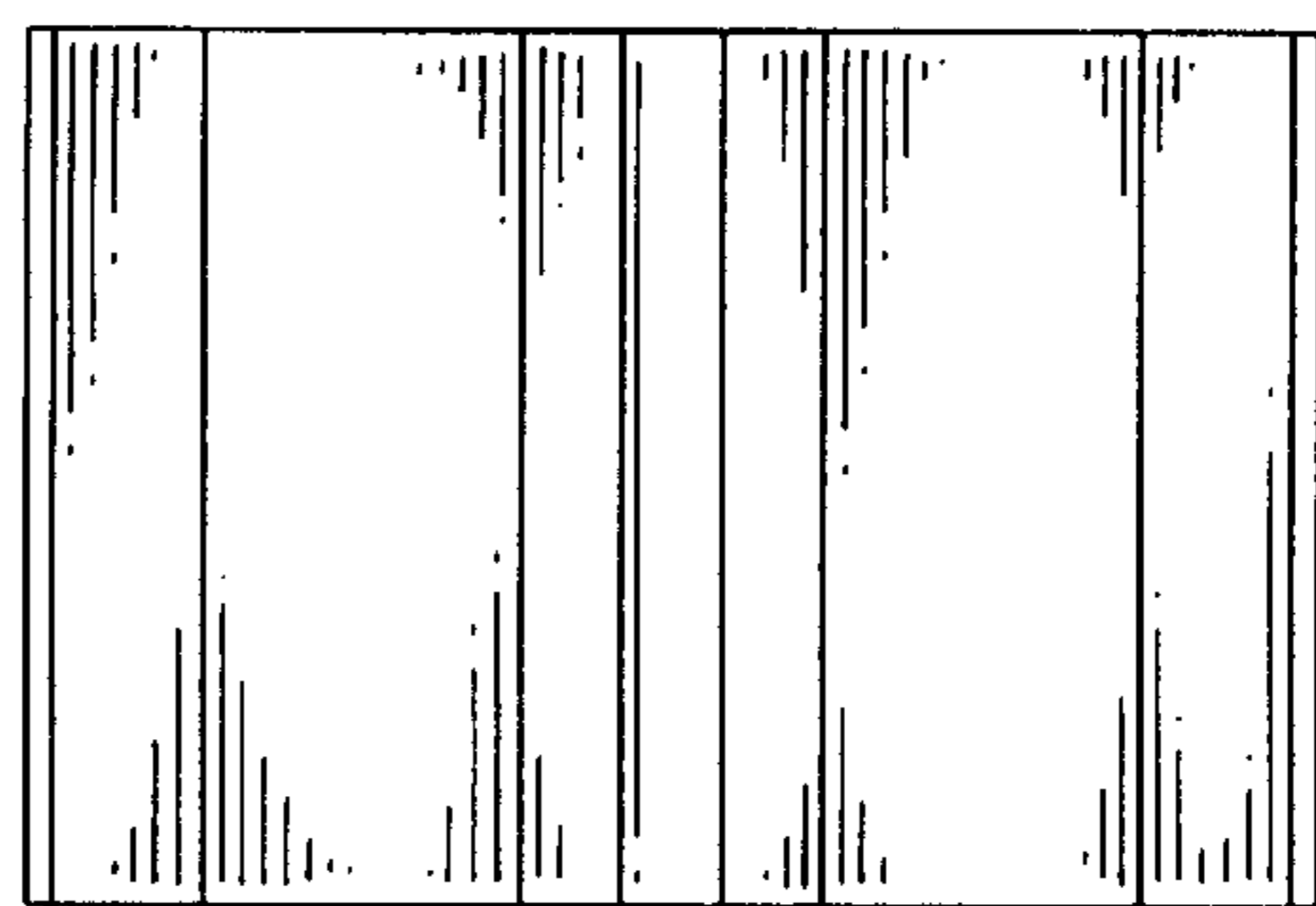


Fig. 5

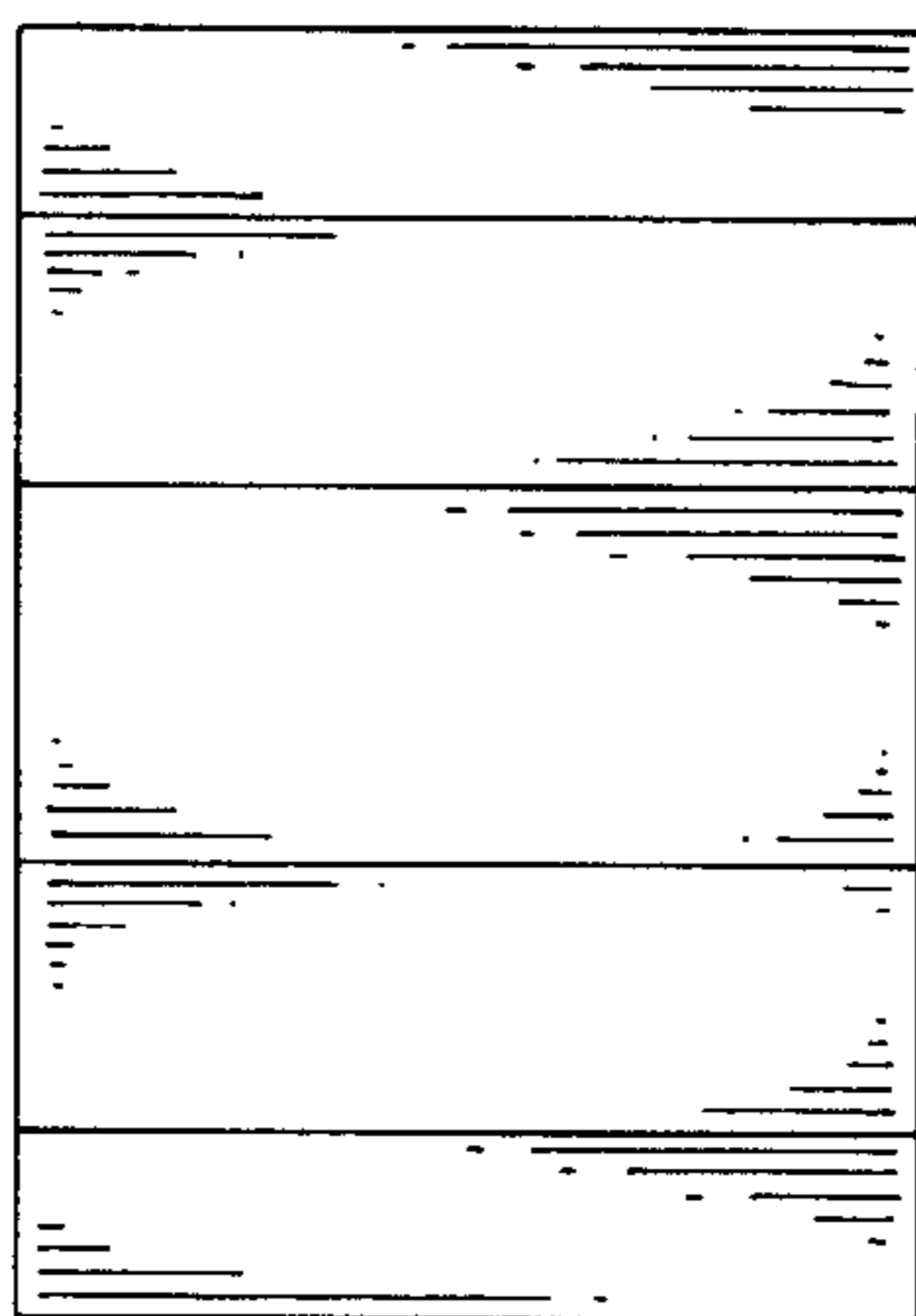


Fig. 6

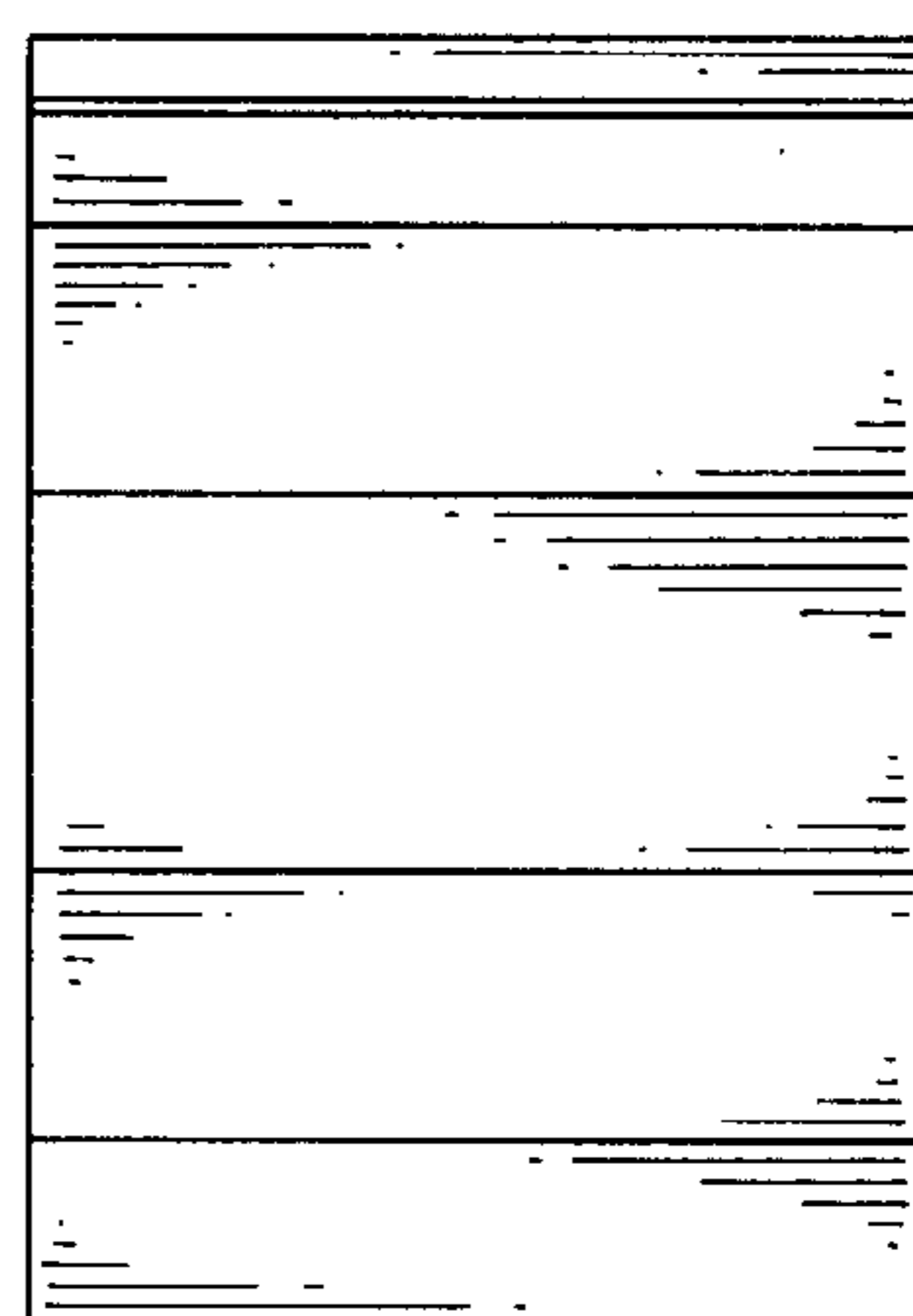


Fig. 7