



US00D443583S

(12) **United States Design Patent**  
**Eggink**

(10) **Patent No.:** **US D443,583 S**

(45) **Date of Patent:** **\*\* Jun. 12, 2001**

(54) **WHEEL RETAINER**

*Primary Examiner*—Holly Baynham

(76) Inventor: **Garett Eggink**, 38B Bigwin Road, Unit 6, Hamilton, Ontario (CA), L8W 3R4

(57) **CLAIM**

(\*\*) Term: **14 Years**

The ornamental design for a wheel retainer, as shown in the drawings, and described.

(21) Appl. No.: **29/105,018**

**DESCRIPTION**

(22) Filed: **May 14, 1999**

(51) **LOC (7) Cl.** ..... **12-06**

FIG. 1 is a front top outer side perspective view of the wheel retainer showing our new design.

(52) **U.S. Cl.** ..... **D12/223**

FIG. 2 is a bottom inner side perspective view thereof.

(58) **Field of Search** ..... D8/354, 349; D12/223; 16/97; 280/279

FIG. 3 is a top inner side perspective view of the design.

(56) **References Cited**

FIG. 4 is a rear inner perspective view of the new design; and,

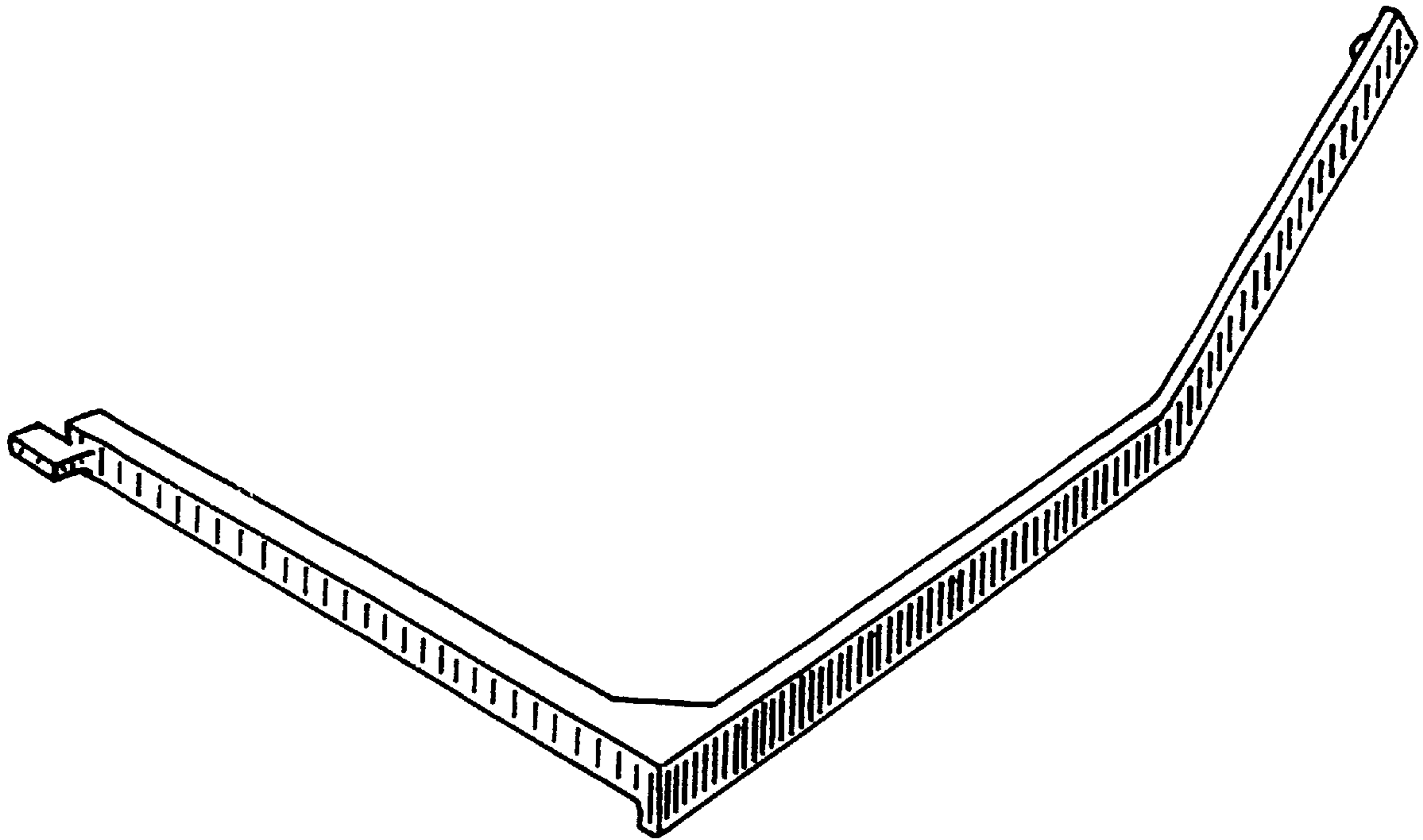
**U.S. PATENT DOCUMENTS**

FIG. 5 is a front bottom perspective view thereof.

D. 416,470 \* 11/1999 Aldeghi ..... D8/384  
4,811,683 \* 3/1989 Gephart et al. .... 16/97

\* cited by examiner

**1 Claim, 5 Drawing Sheets**



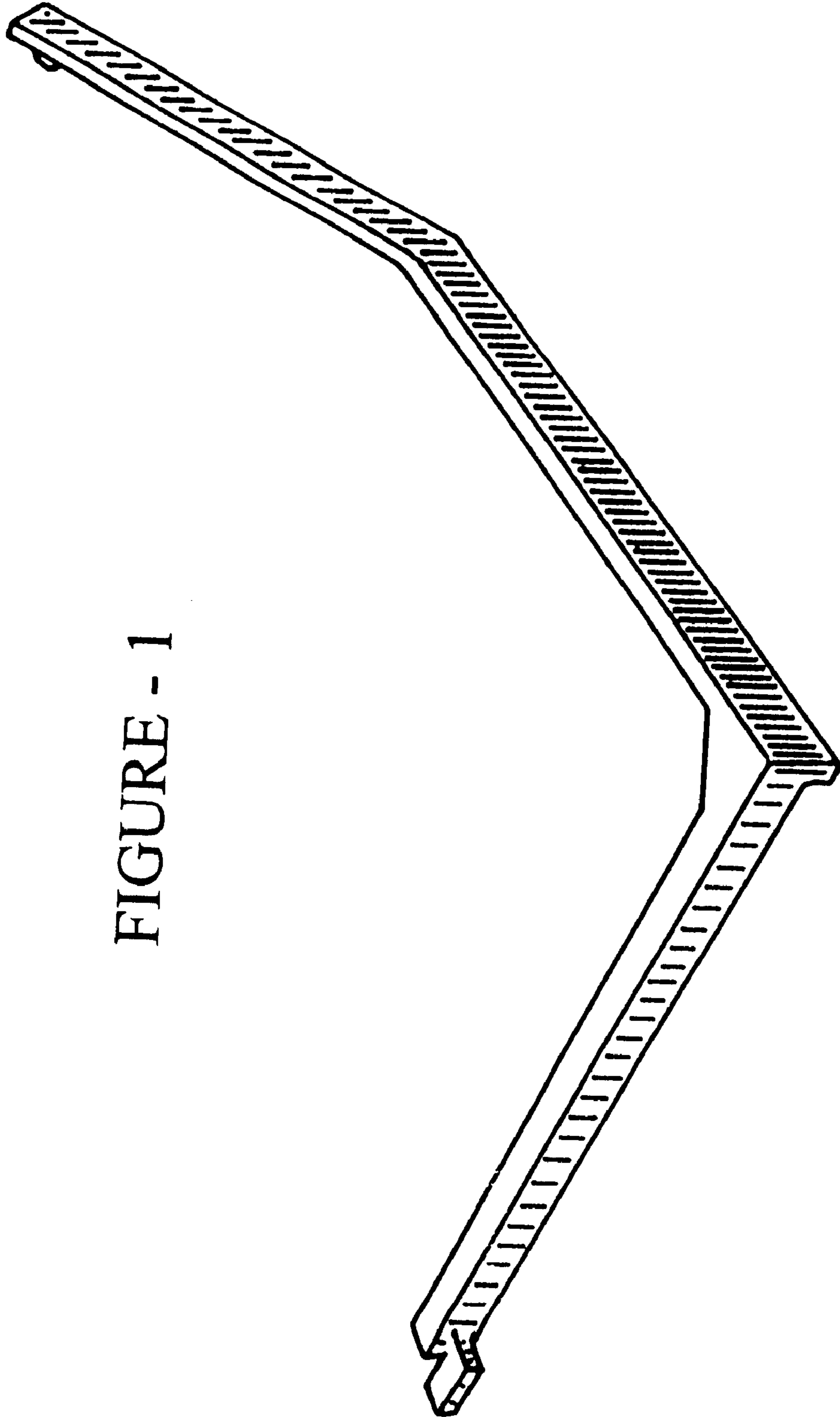


FIGURE - 1

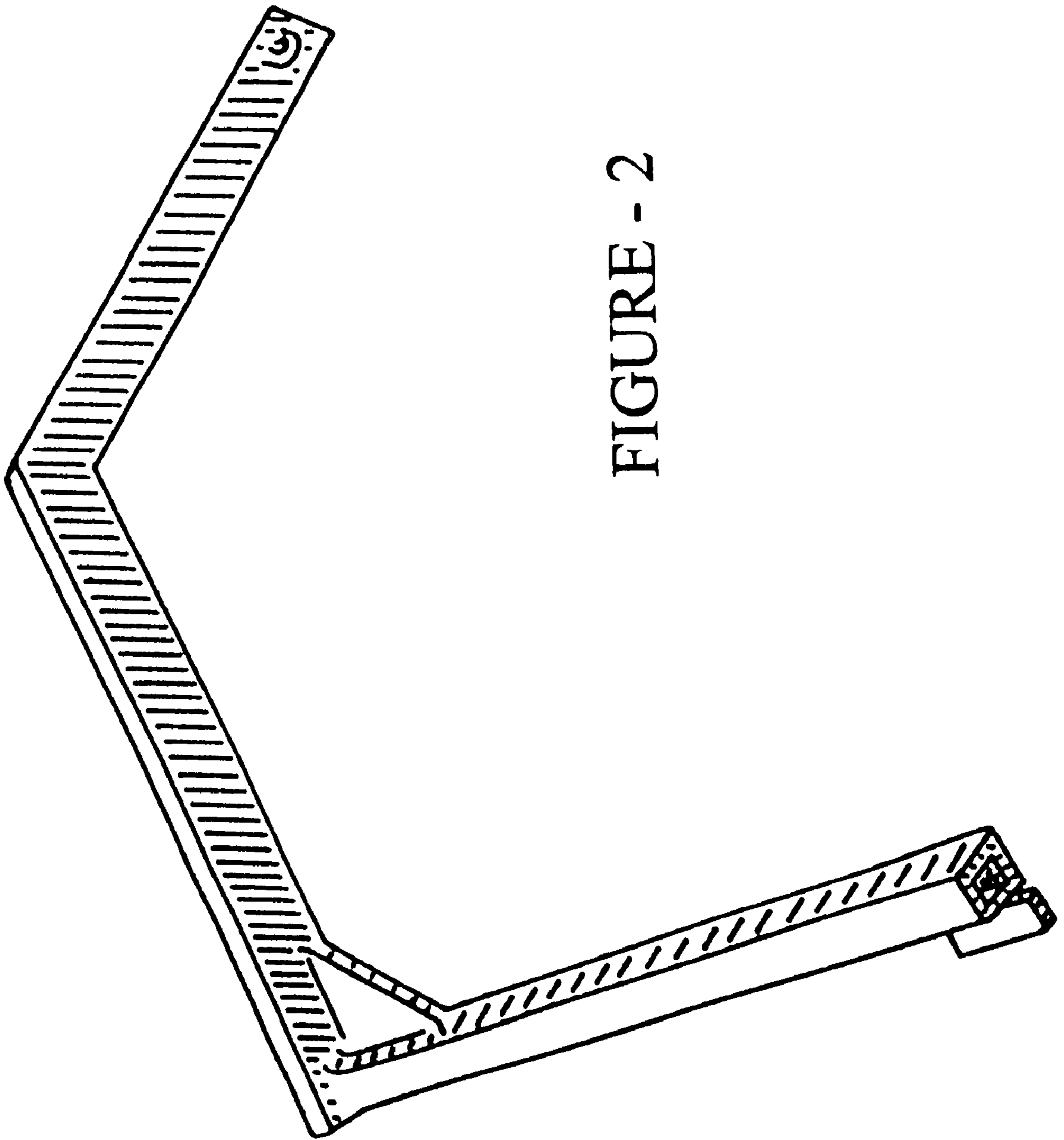
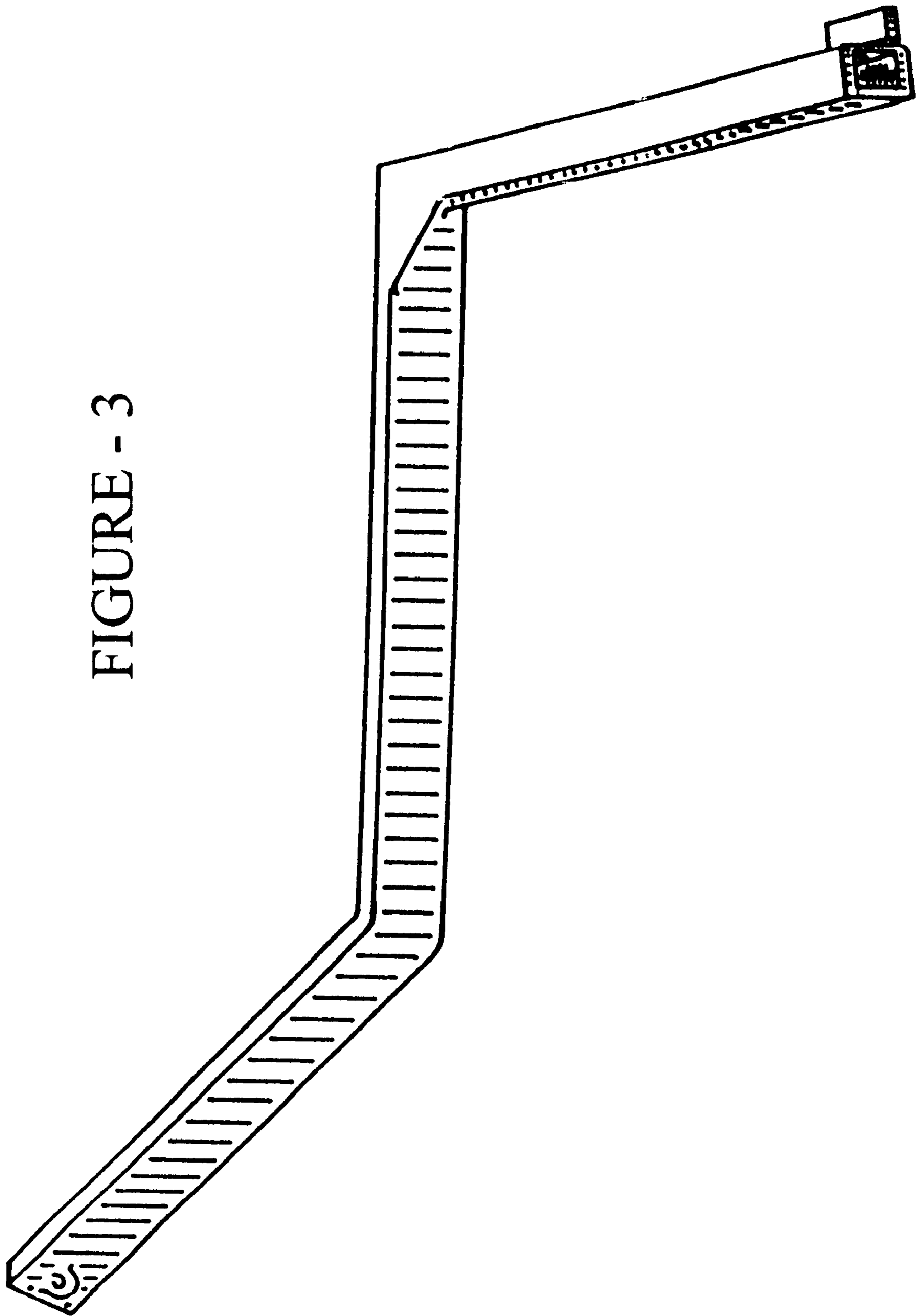


FIGURE - 2

FIGURE - 3



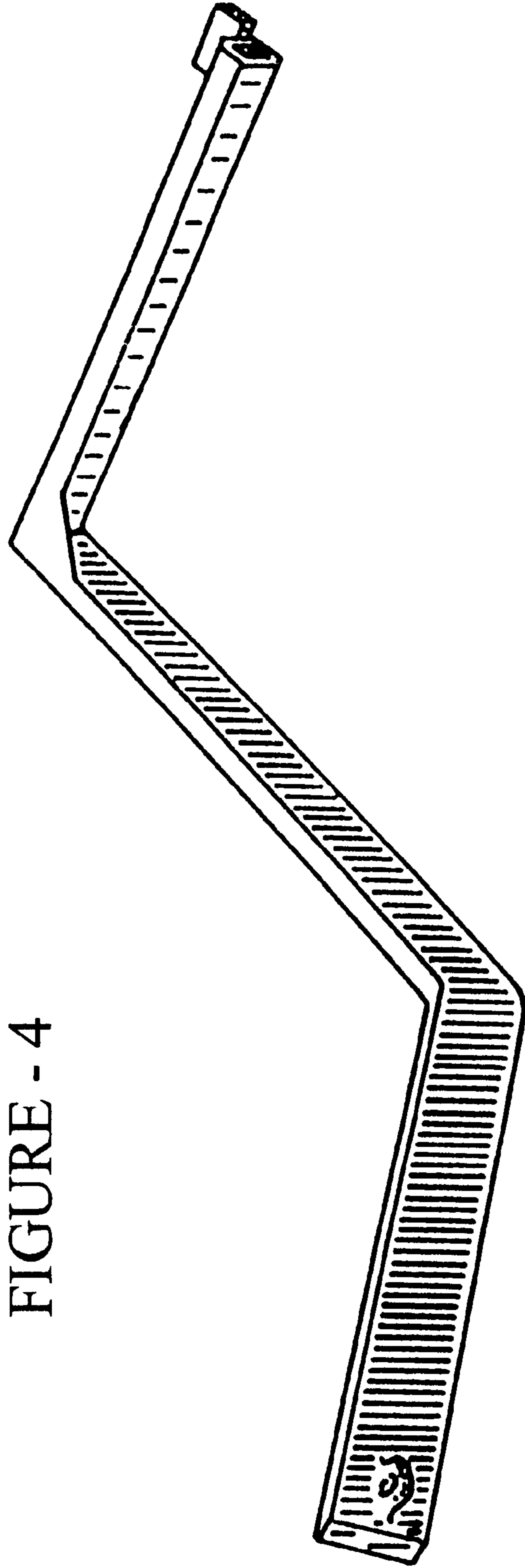


FIGURE - 4

FIGURE - 5

