



US00D443581S

(12) **United States Design Patent**
Williams

(10) **Patent No.:** **US D443,581 S**

(45) **Date of Patent:** **** Jun. 12, 2001**

(54) **BULLET-SHAPED SPOKE WEIGHT**

(76) Inventor: **David K. Williams**, 1930 Waterford Dr., Grapevine, TX (US) 76051

(**) Term: **14 Years**

(21) Appl. No.: **29/133,221**

(22) Filed: **Nov. 27, 2000**

(51) **LOC (7) Cl.** **12-16**

(52) **U.S. Cl.** **D12/213**

(58) **Field of Search** D12/204, 213,
D12/400, 114; 301/37, 108; 446/404

(56) **References Cited**

U.S. PATENT DOCUMENTS

D. 219,567	*	12/1970	Ascani et al.	D12/213
D. 297,632	*	9/1988	Marshall	D12/213
D. 319,617	*	9/1991	Sorensen	D12/213
D. 350,524	*	9/1994	Bias	D12/213
2,621,081	*	12/1952	Mann	D12/213 X
3,005,906	*	10/1961	Butler, Jr.	D12/213 X

* cited by examiner

Primary Examiner—Stacia Cadmus

(74) *Attorney, Agent, or Firm*—Andrew M. Hassell

(57) **CLAIM**

The ornamental design for a bullet-shaped spoke weight, as shown and described.

DESCRIPTION

FIG. 1 is a perspective view of the bullet-shaped spoke weight according to the invention;

FIG. 2 is a side view of the bullet-shaped spoke weight according to the invention;

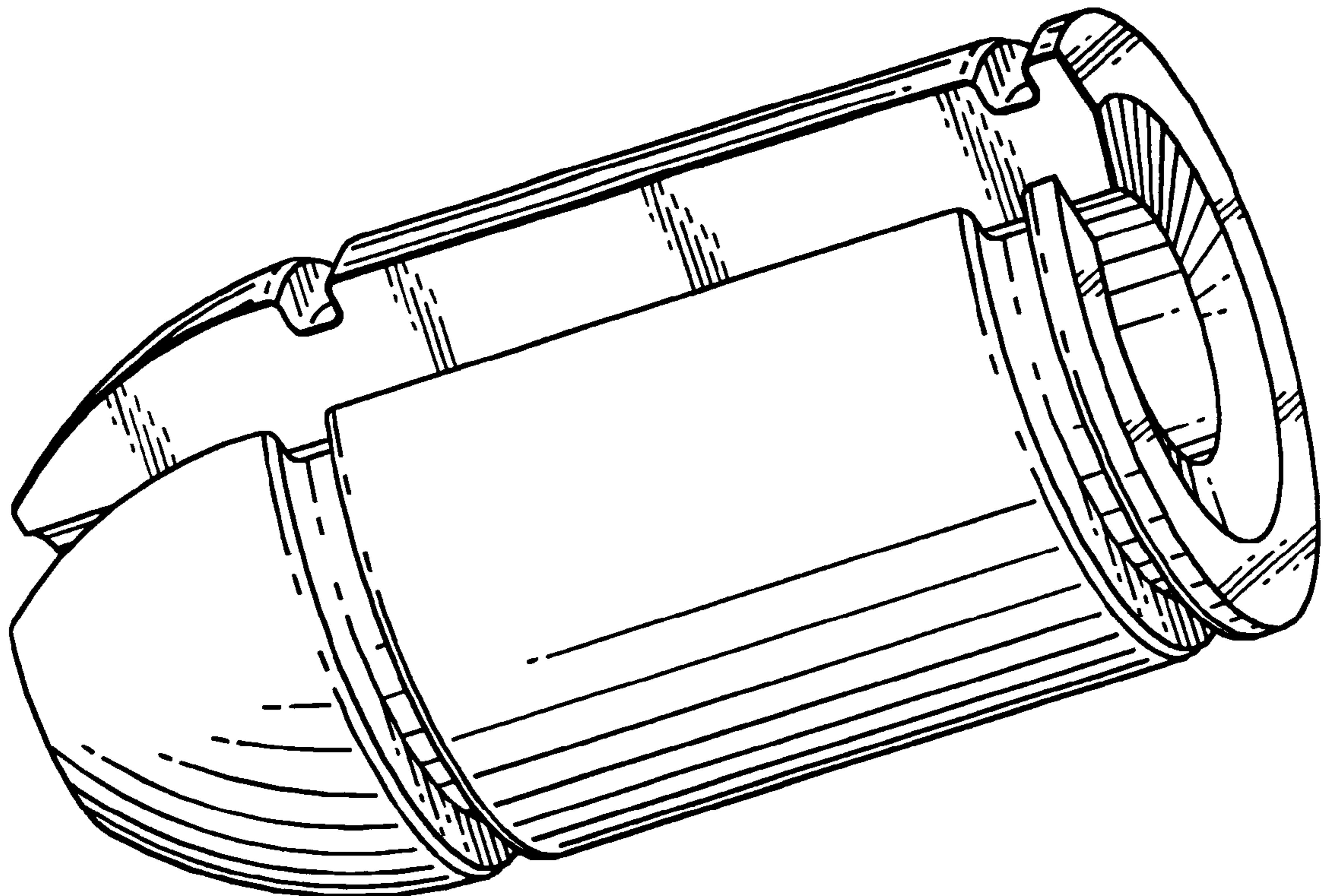
FIG. 3 is a top view of the bullet-shaped spoke weight according to the invention;

FIG. 4 is front view of the bullet-shaped spoke weight according to the invention;

FIG. 5 is a rear view of the bullet-shaped spoke weight according to the invention; and,

FIG. 6 is a bottom view of the bullet-shaped spoke weight according to the invention.

1 Claim, 2 Drawing Sheets



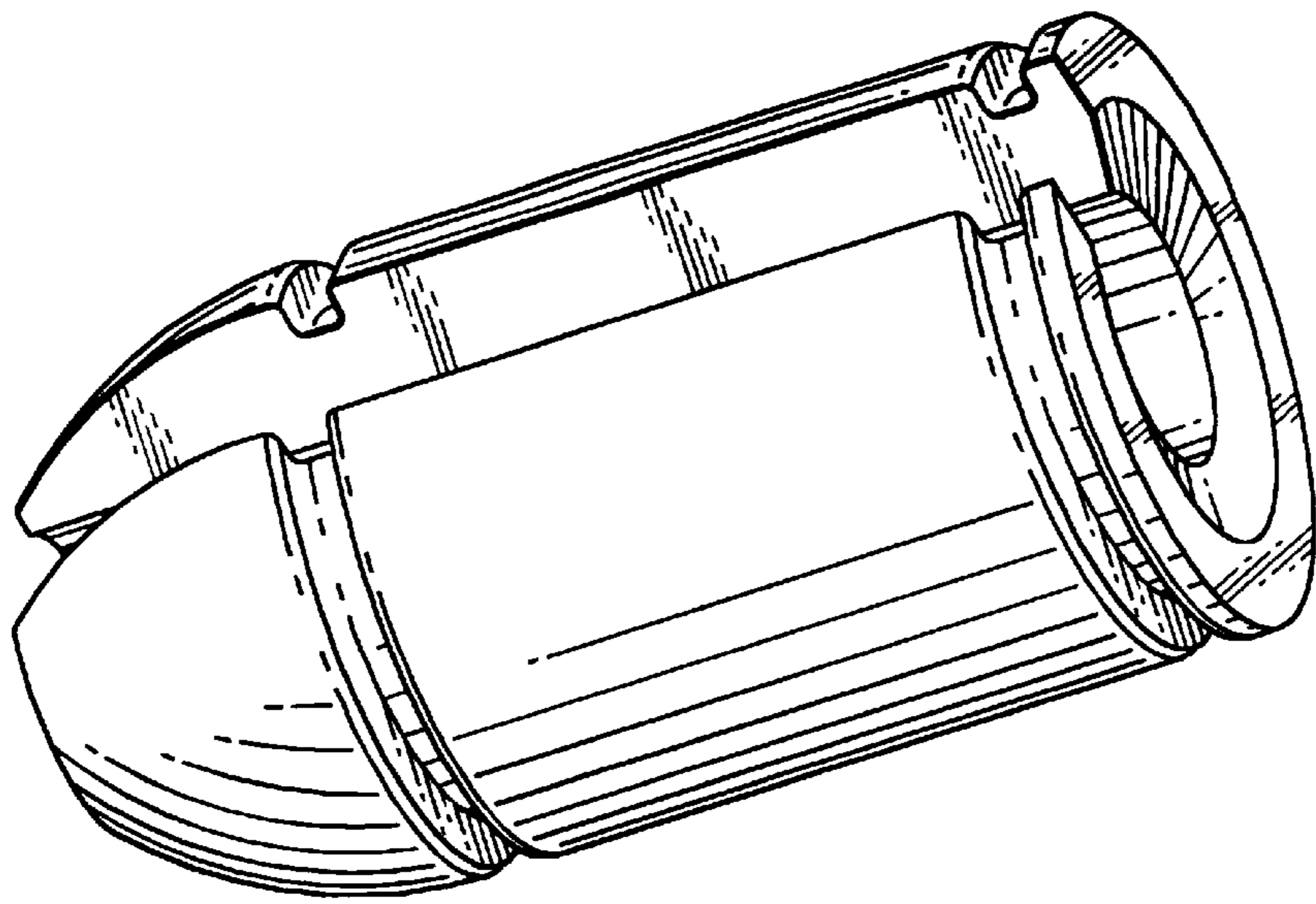


Fig. 1

Fig. 2

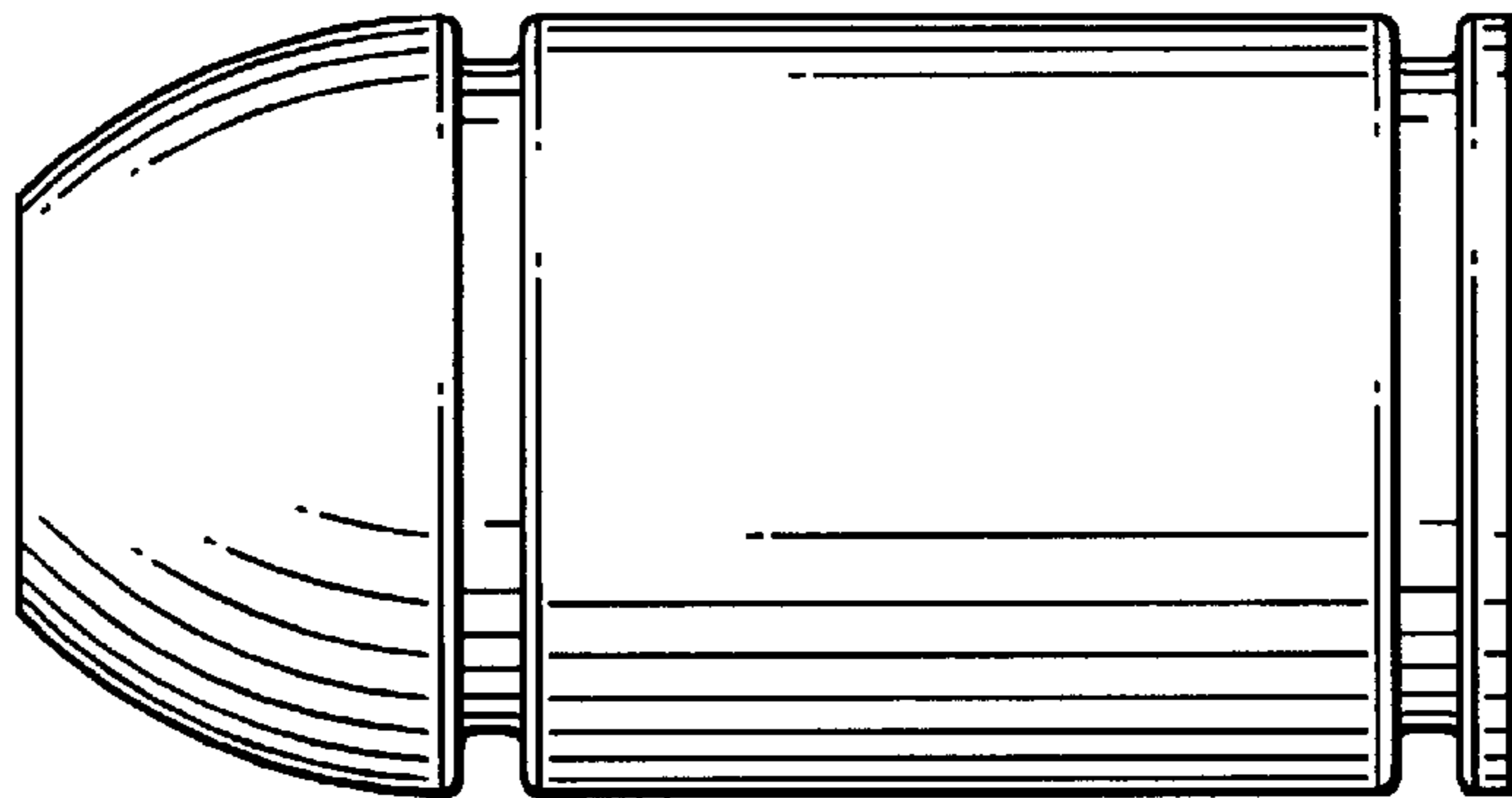
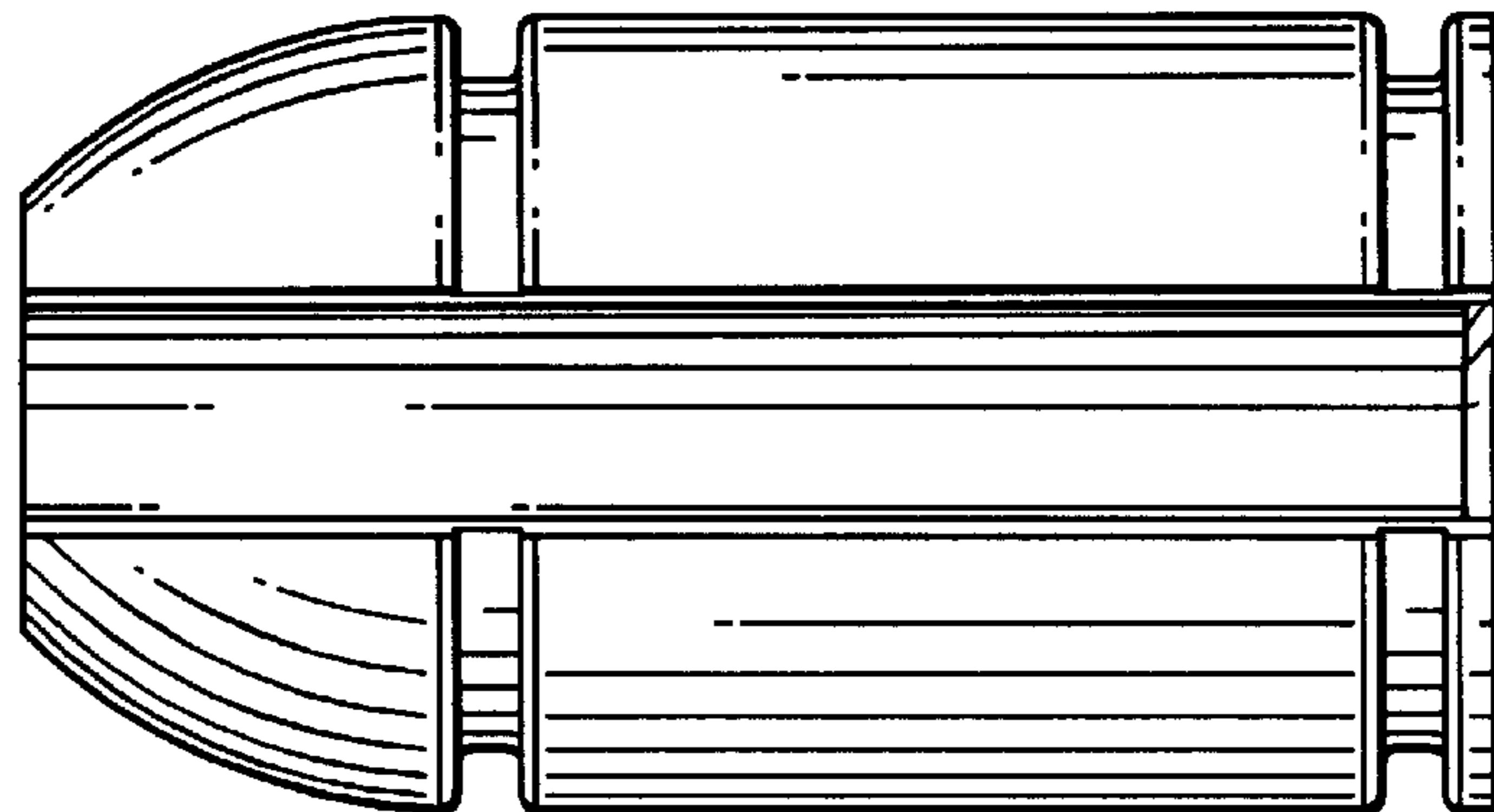


Fig. 3



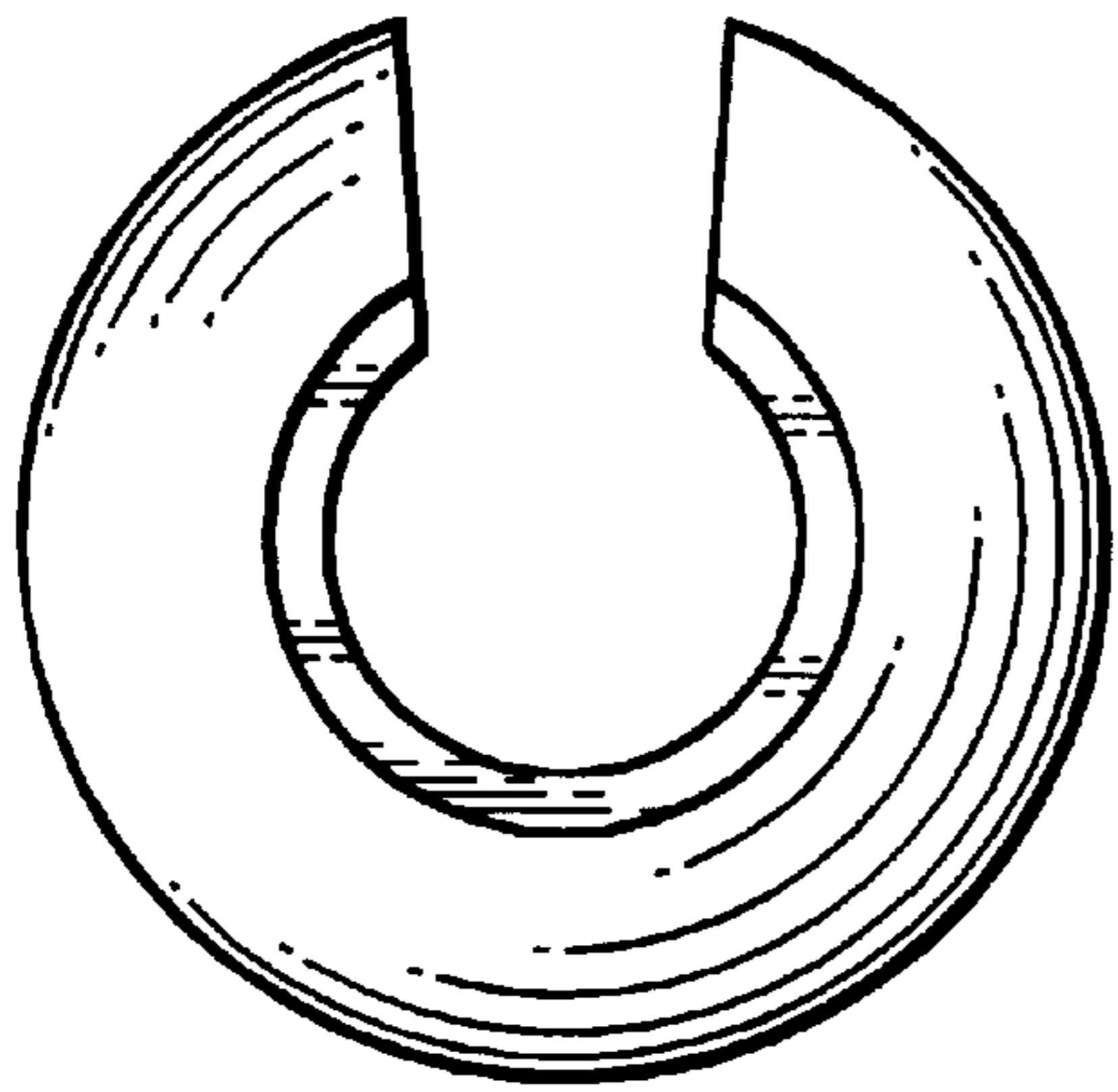


Fig. 4

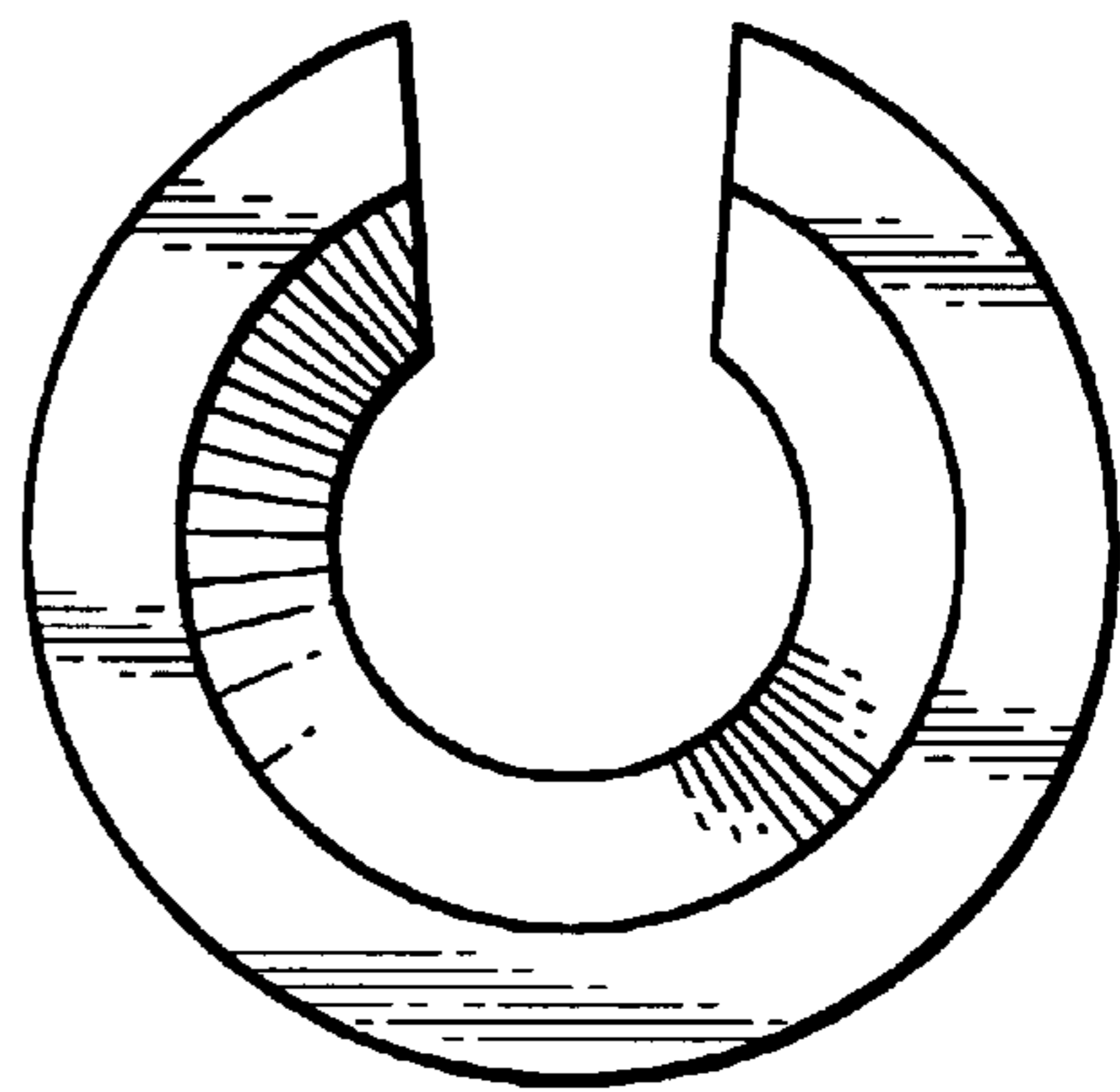


Fig. 5

Fig. 6

