



US00D443578S

(12) **United States Design Patent**
Lovitt, Jr.

(10) **Patent No.:** **US D443,578 S**

(45) **Date of Patent:** **** Jun. 12, 2001**

(54) **WHEEL ADAPTER**
(75) **Inventor:** **Estel L. Lovitt, Jr.,** Sylvania, OH (US)
(73) **Assignee:** **Mitchell Equipment Corporation,**
Monclova, OH (US)
(**) **Term:** **14 Years**

4,036,530	*	7/1977	Reppert	301/36.1
4,135,765	*	1/1979	Hardwicke	301/36.1
4,165,904	*	8/1979	Reppert	301/111
4,396,232	*	8/1983	Fox	301/36.1
4,585,276	*	4/1986	Tirheimer	301/36.1
4,944,562	*	7/1990	Garrison	301/111
5,785,391	*	7/1998	Parry et al.	301/111

* cited by examiner

(21) **Appl. No.:** **29/132,854**
(22) **Filed:** **Nov. 16, 2000**

Primary Examiner—Stacia Cadmus
(74) *Attorney, Agent, or Firm*—Donald R. Fraser

(51) **LOC (7) Cl.** **12-16**
(52) **U.S. Cl.** **D12/207**
(58) **Field of Search** **D12/204, 207,**
D12/213; 301/36.1, 111, 35.62, 35.58, 38.1

(57) **CLAIM**

The ornamental design for a wheel adapter, as shown and described.

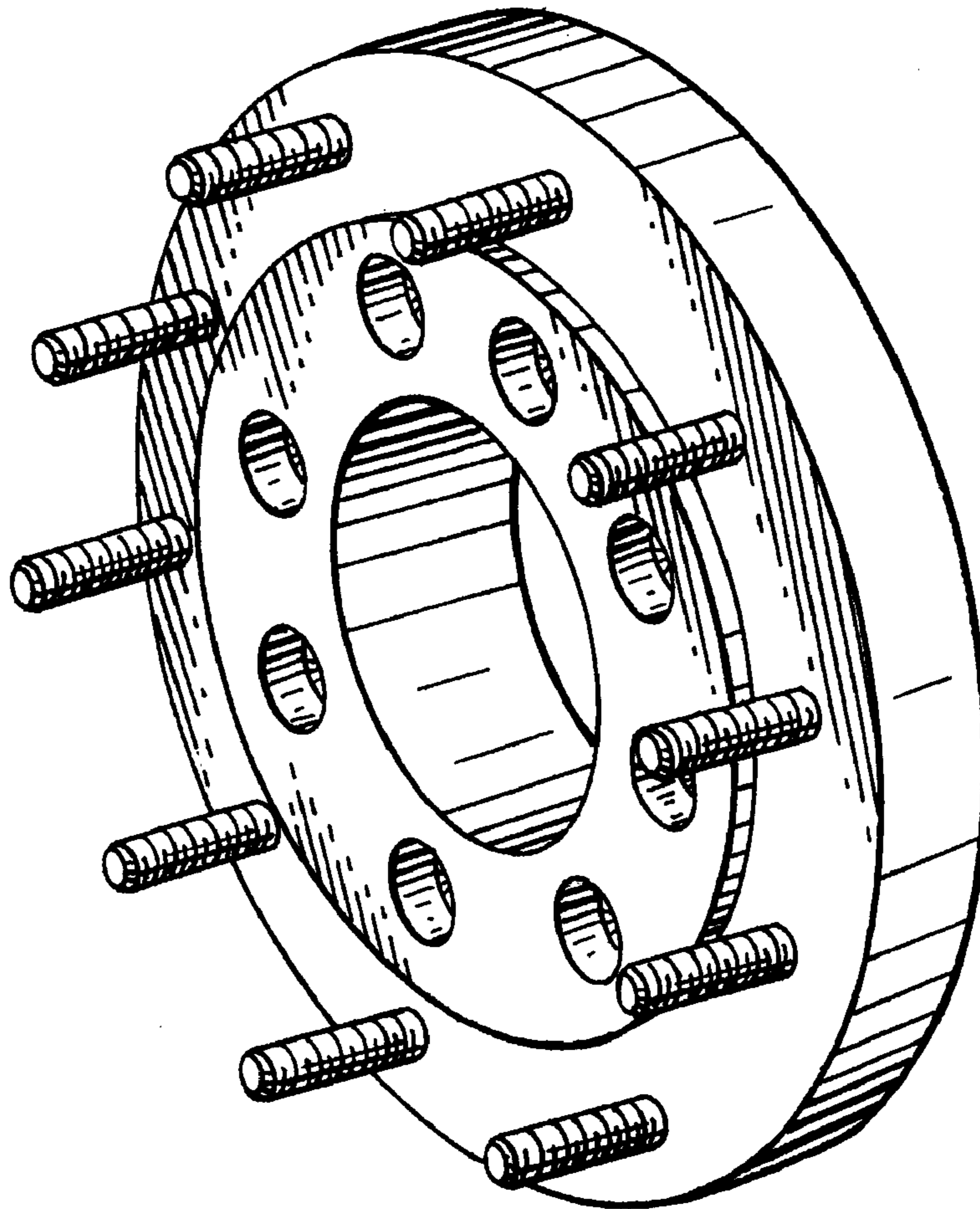
(56) **References Cited**
U.S. PATENT DOCUMENTS

DESCRIPTION

D. 413,513	*	10/2000	Lovitt, Jr.	D12/207
3,494,669	*	2/1970	Reppert	301/111
3,820,851	*	6/1974	Longo et al.	301/36.1
3,834,766	*	9/1974	Thousand	301/111

FIG. 1 is a perspective view of a wheel adapter incorporating the invention;
FIG. 2 is a rear elevational view thereof;
FIG. 3 is a front elevational view thereof; and,
FIG. 4 is a left side elevational view thereof.

1 Claim, 2 Drawing Sheets



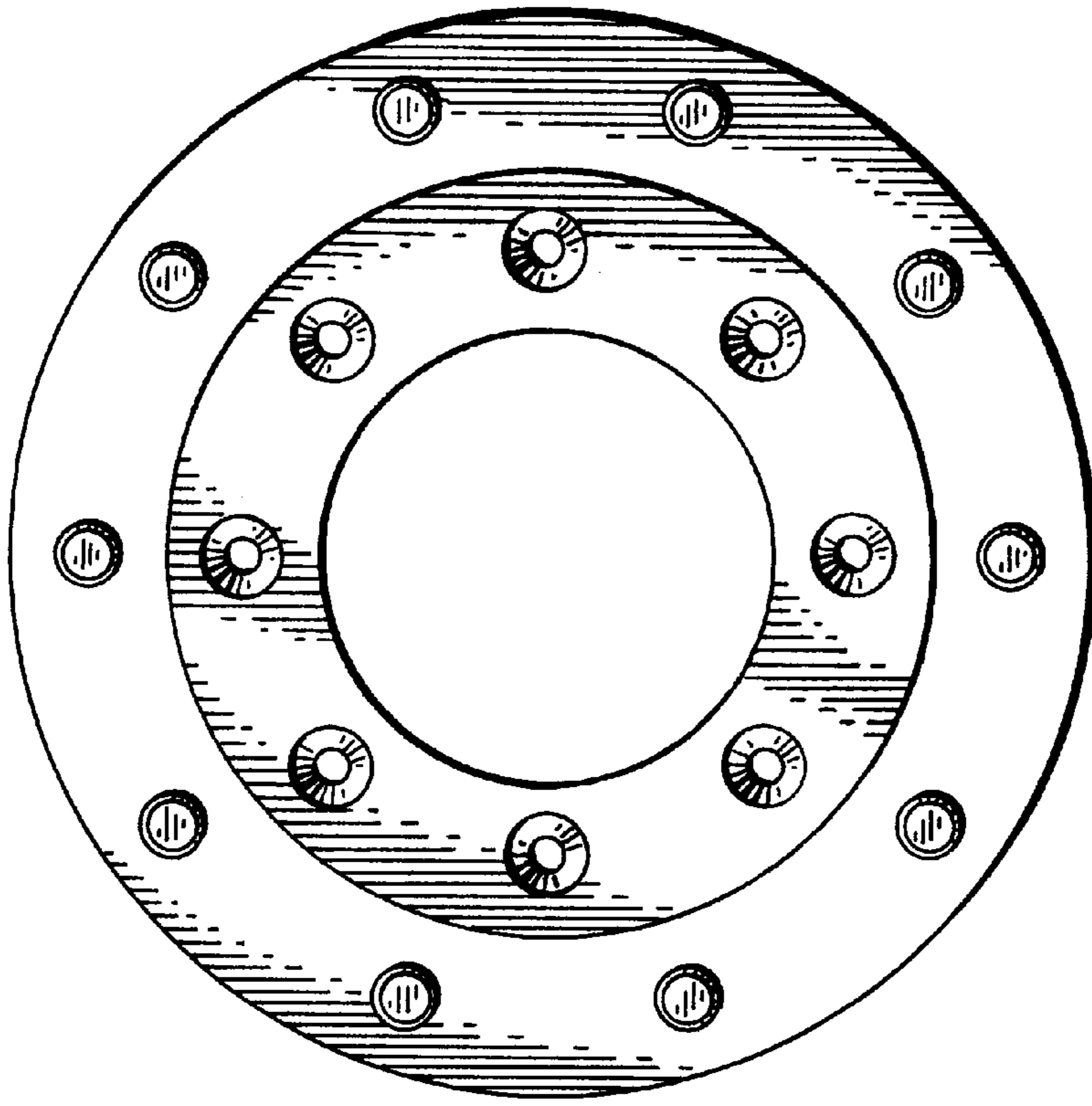


FIG. 2

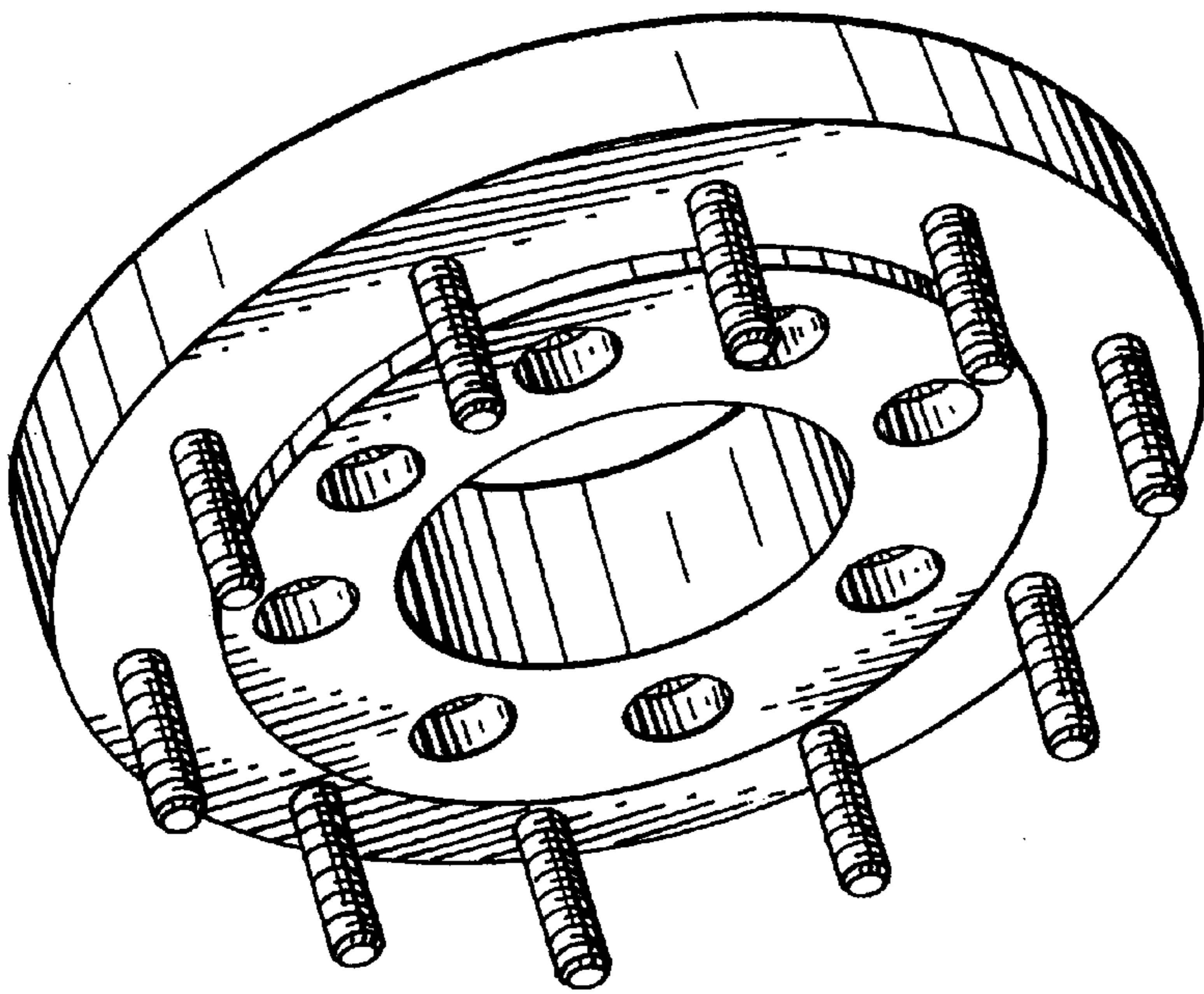


FIG. 1

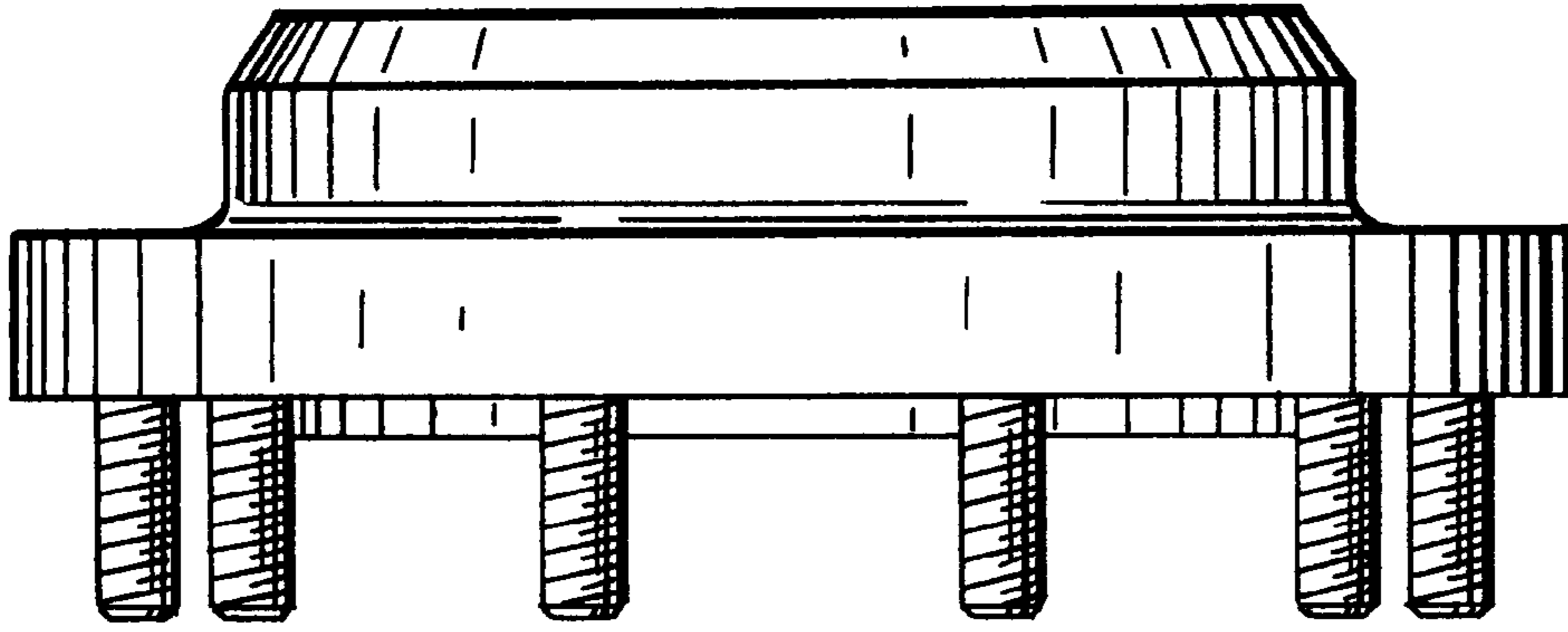


FIG. 4

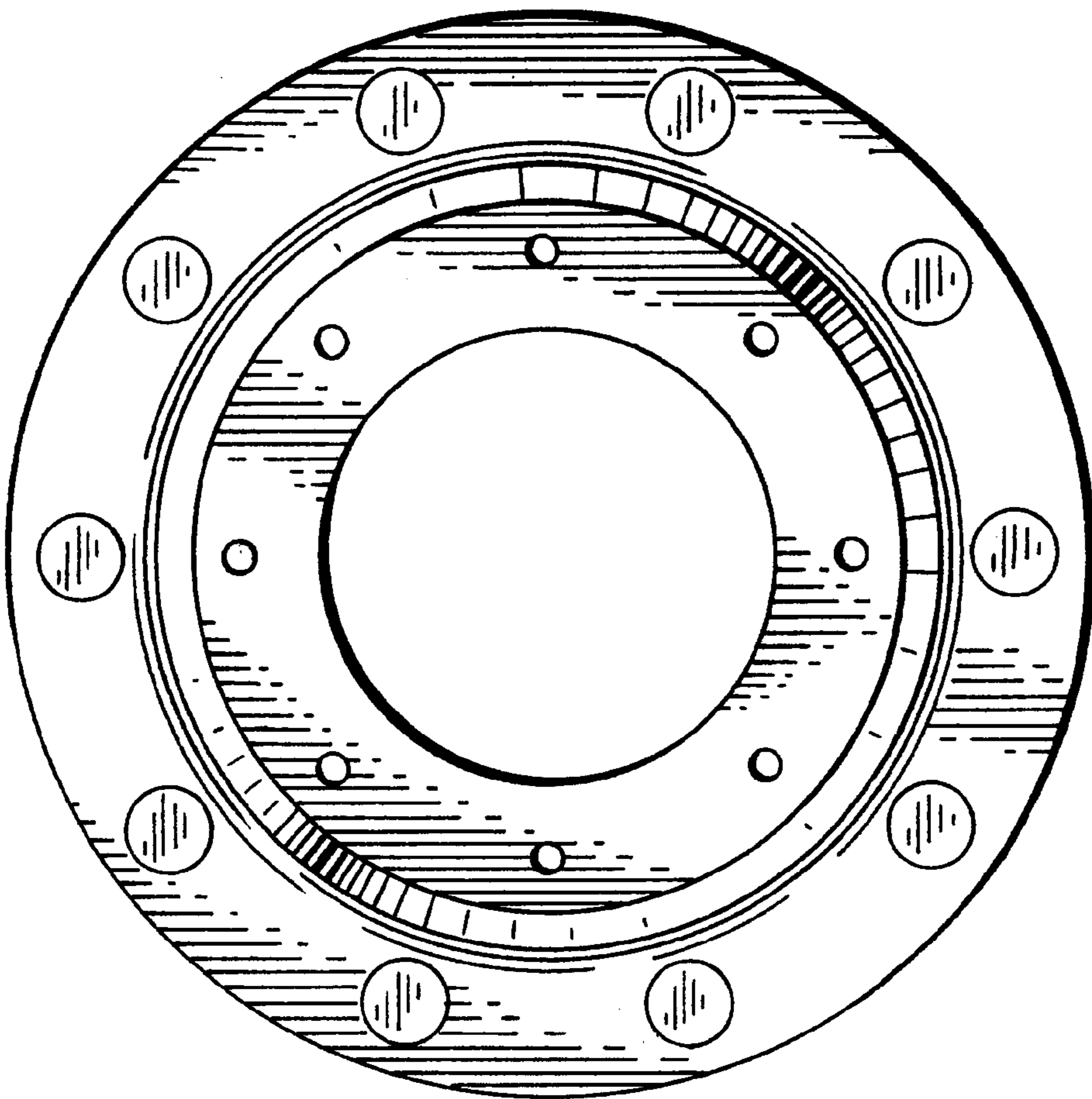


FIG. 3