



US00D443576S

(12) **United States Design Patent**
Hayashi et al.

(10) **Patent No.:** **US D443,576 S**

(45) **Date of Patent:** **** Jun. 12, 2001**

(54) **FRONT PORTION OF TRUCK**

D. 433,364 * 11/2000 Hayashi D12/196

(75) Inventors: **Kouichi Hayashi; Koji Tabata;**
Yoshikazu Miyachi; Norihito Iwao, all
of Aki-gun (JP)

FOREIGN PATENT DOCUMENTS

887632 11/1996 (JP) .

(73) Assignee: **Mazda Motor Corporation,**
Hiroshima-ken (JP)

* cited by examiner

Primary Examiner—Melody N. Brown

(**) Term: **14 Years**

(74) *Attorney, Agent, or Firm*—Nixon Peabody, LLP;
Donald R. Studebaker

(21) Appl. No.: **29/126,509**

(57) **CLAIM**

(22) Filed: **Jul. 19, 2000**

The ornamental design for a front portion of truck, as shown
and described.

(30) **Foreign Application Priority Data**

DESCRIPTION

Mar. 31, 2000 (JP) 12-008388

(51) **LOC (7) Cl.** **12-16**

(52) **U.S. Cl.** **D12/196; D12/96**

(58) **Field of Search** D12/196, 96, 97,
D12/163; 296/190; 180/89.12-89.14, 89.16

FIG. 1 is a perspective view of a front portion of truck;

FIG. 2 is a front view thereof;

FIG. 3 is a rear view thereof;

FIG. 4 is a right side view thereof;

FIG. 5 is a left side view thereof;

FIG. 6 is a top view thereof; and,

FIG. 7 is an enlarged front view thereof.

The motor vehicle shown in broken lines is for illustrative
purposes only and forms no part of the claimed design.

(56) **References Cited**

U.S. PATENT DOCUMENTS

D. 416,829 * 11/1999 Sacco et al. D12/96

D. 423,412 * 4/2000 Sacco et al. D12/96

1 Claim, 5 Drawing Sheets

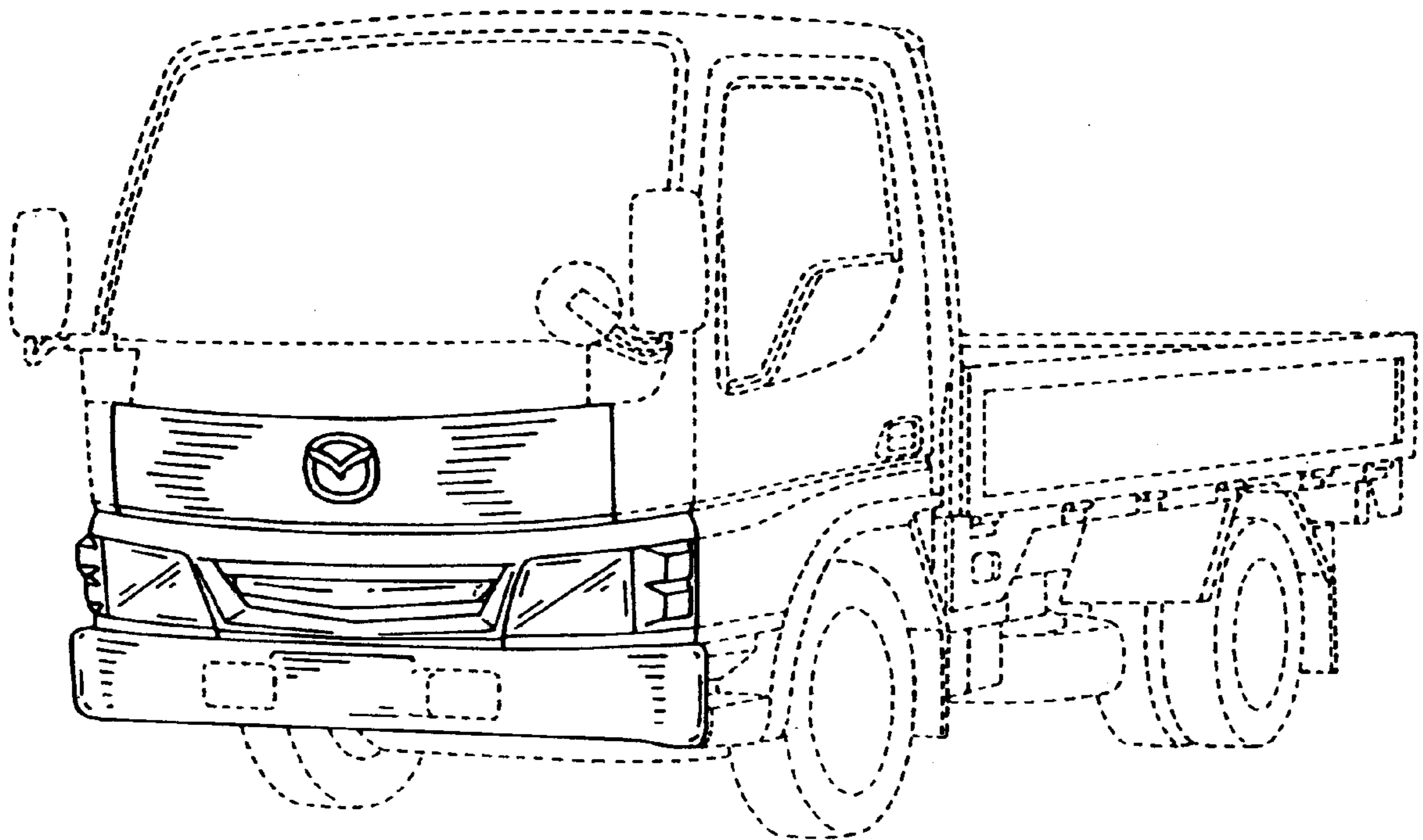


FIG. 1

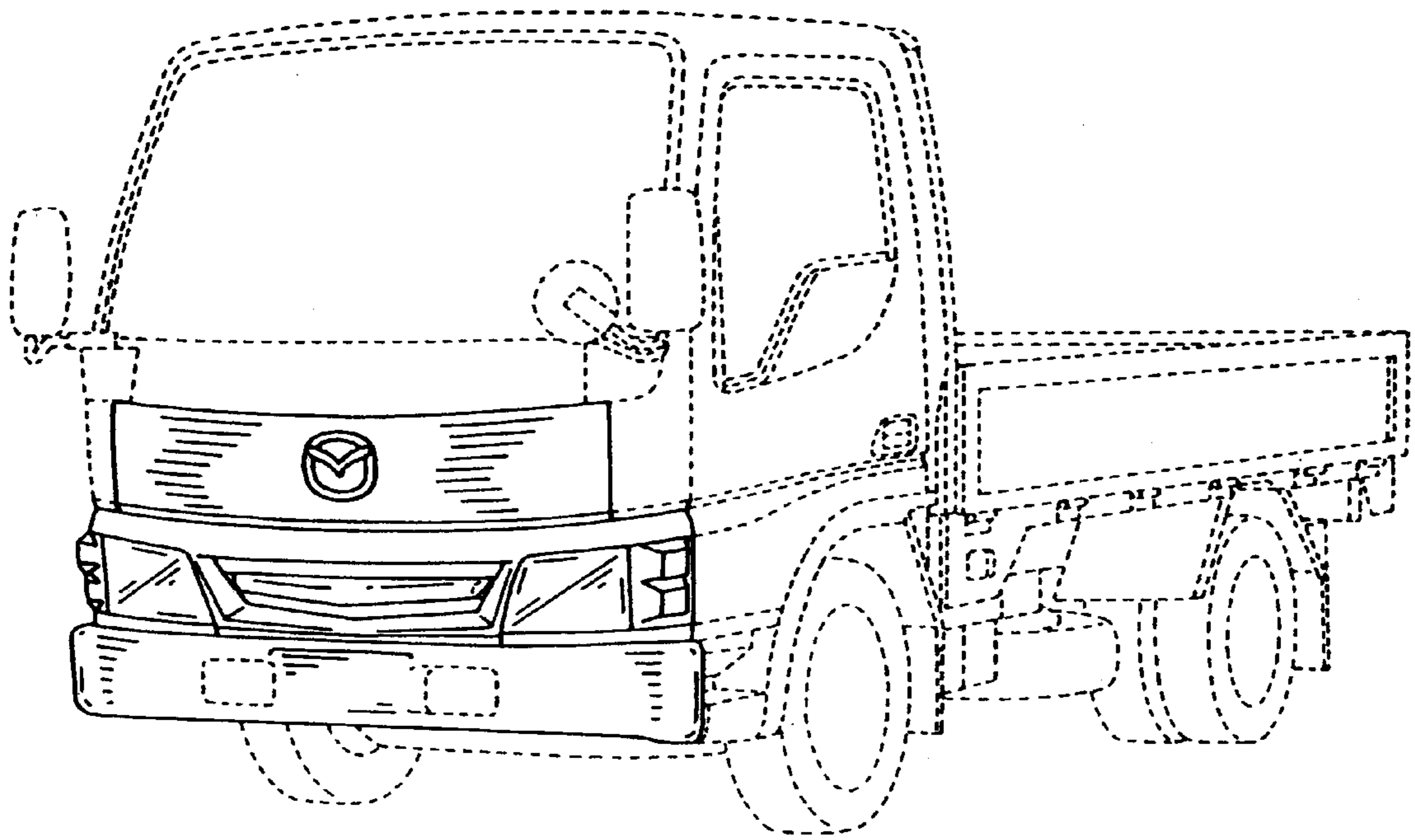


FIG. 2

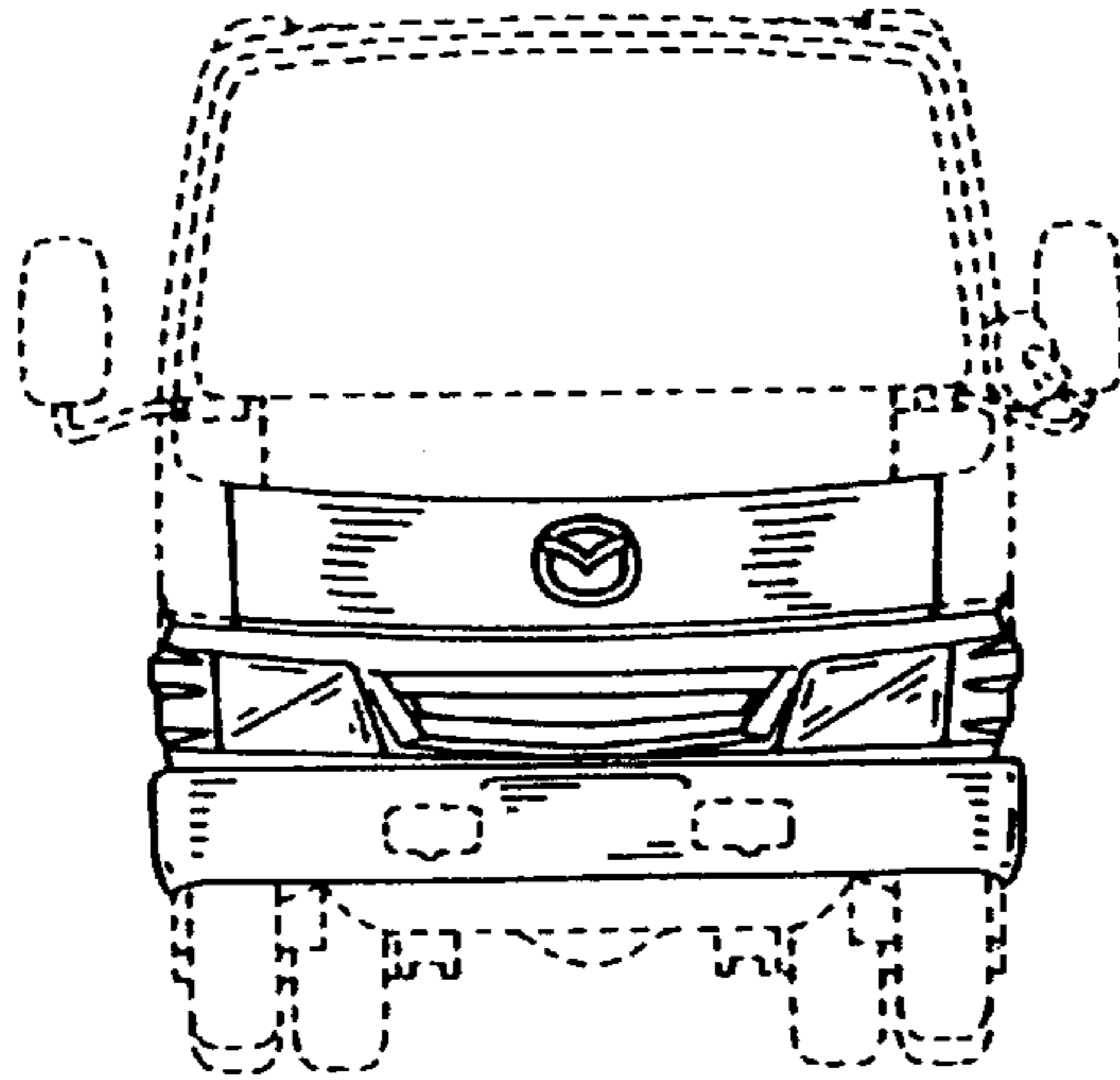


FIG. 3

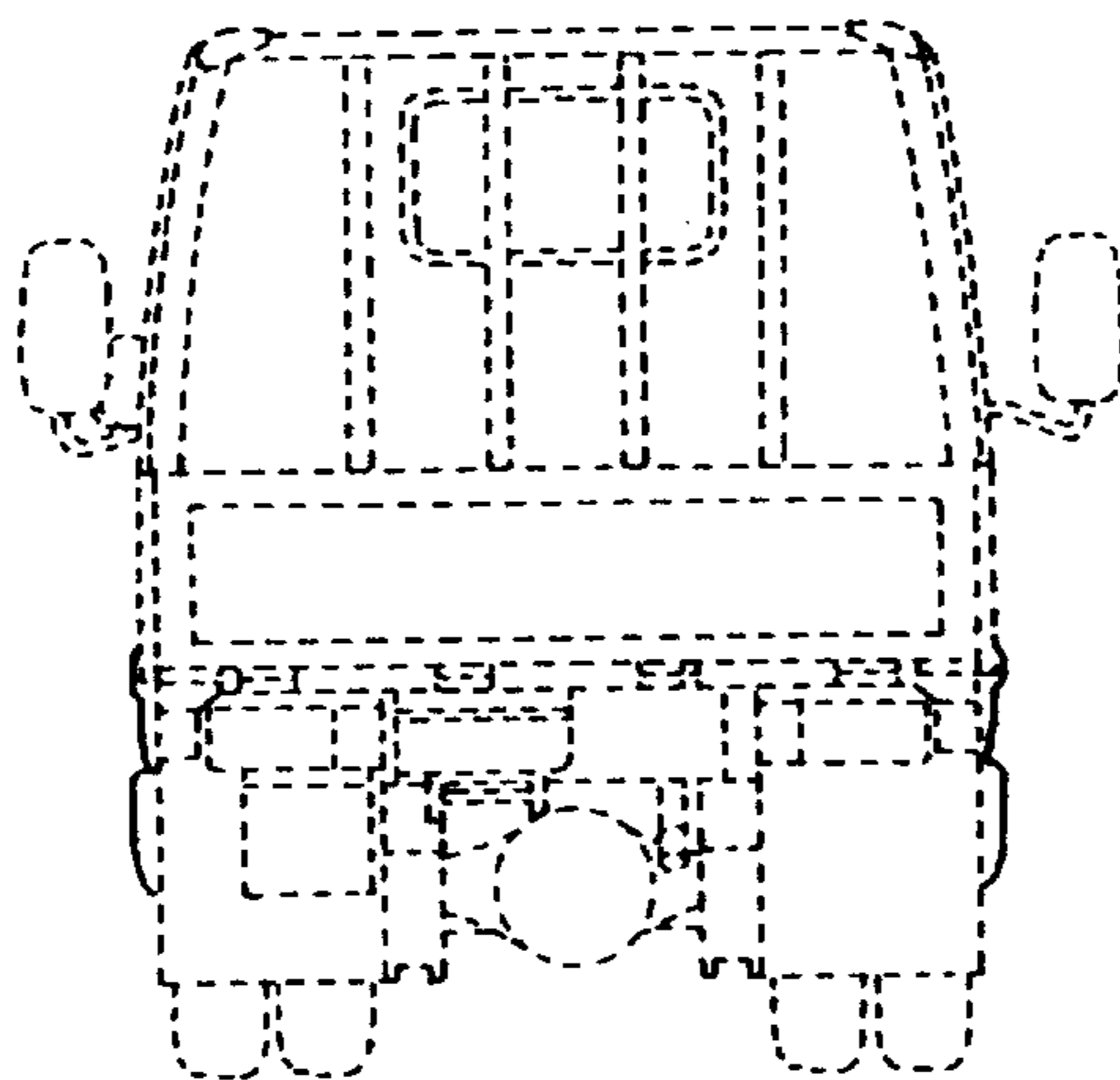


FIG. 4

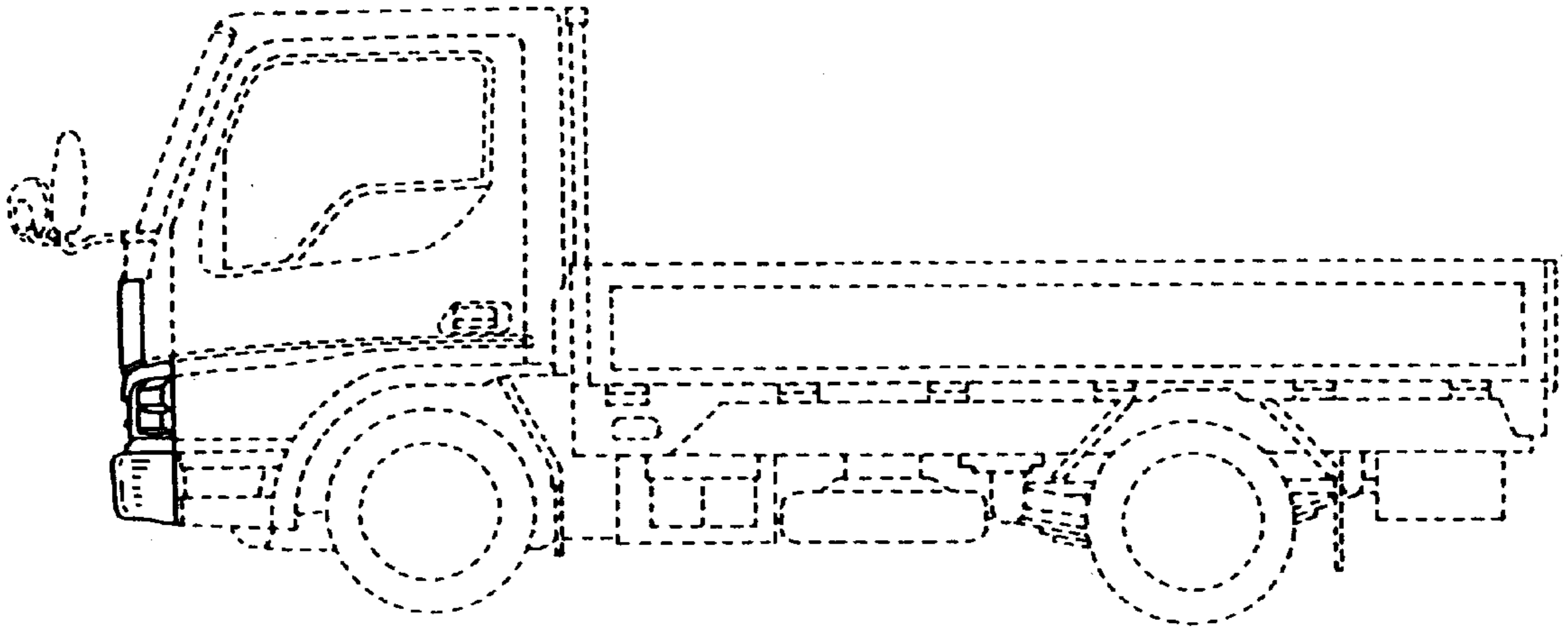


FIG. 5

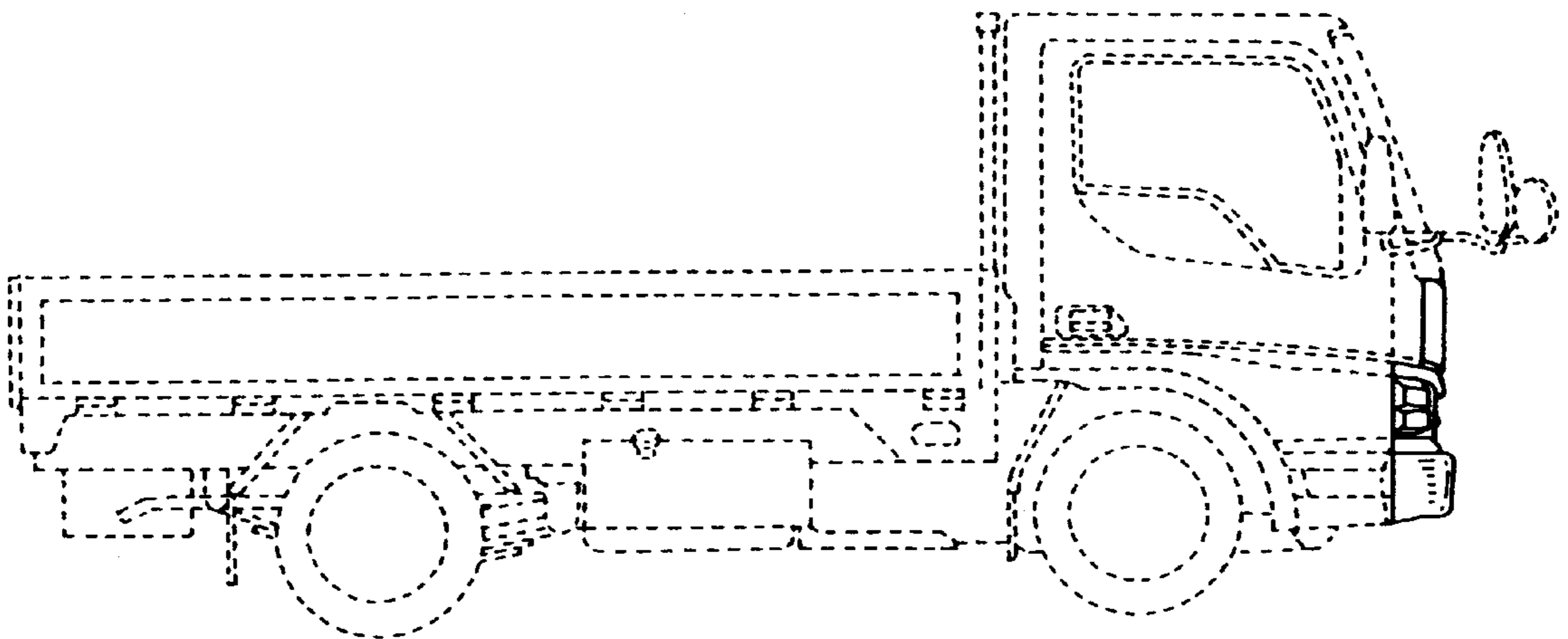


FIG. 6

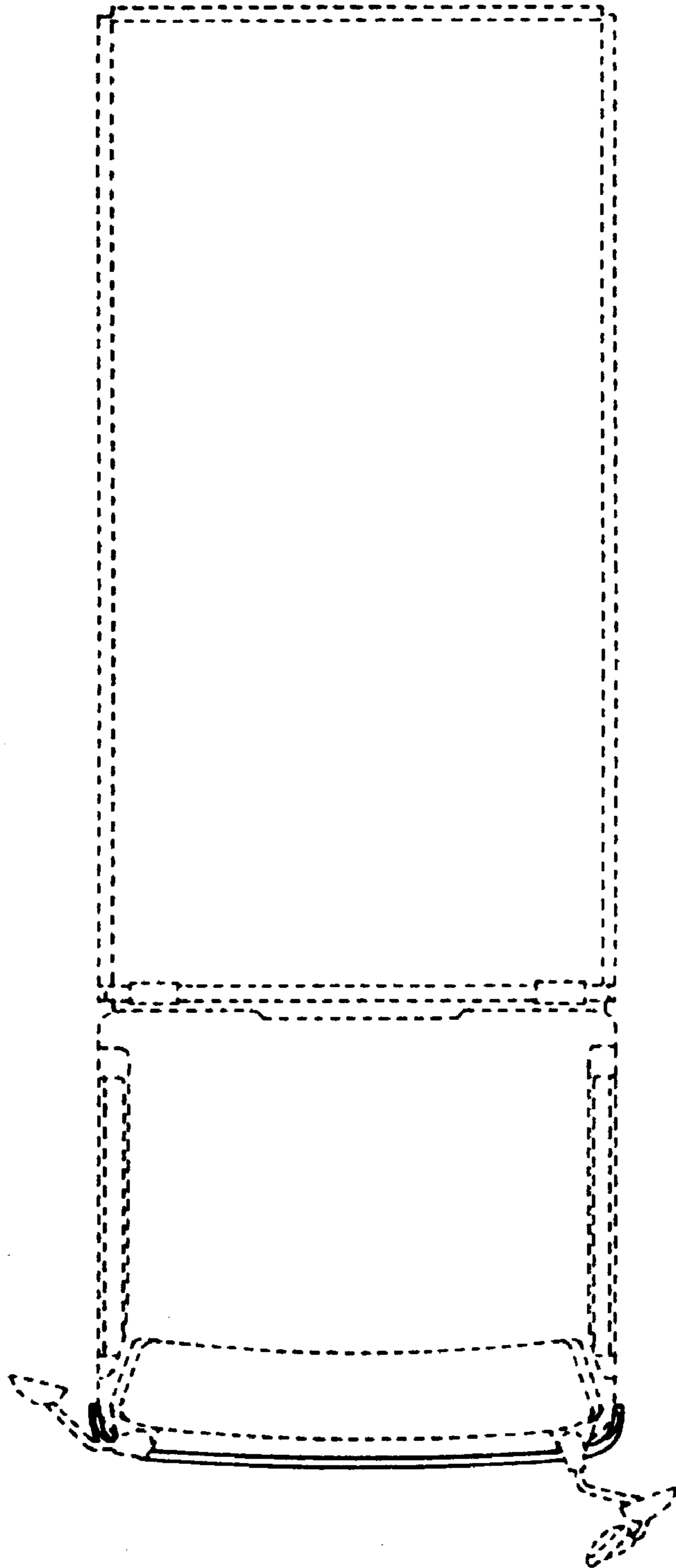


FIG. 7

