



US00D443575S

(12) **United States Design Patent**
Okazaki et al.

(10) **Patent No.:** **US D443,575 S**

(45) **Date of Patent:** **** Jun. 12, 2001**

(54) **FRONT PORTION OF MOTOR VEHICLE**

D. 432,065 * 10/2000 Kitamura D12/196
D. 432,964 * 10/2000 Lee et al. D12/196

(75) Inventors: **Jun Okazaki; Kazuhiro Ohsaki**, both
of Aki-gun (JP)

* cited by examiner

(73) Assignee: **Mazda Motor Corporation**,
Hiroshima-ken (JP)

Primary Examiner—Melody N. Brown
(74) *Attorney, Agent, or Firm*—Nixon Peabody, LLP;
Donald R. Studebaker

(**) Term: **14 Years**

(57) **CLAIM**

(21) Appl. No.: **29/125,697**

The ornamental design for a front portion of motor vehicle,
as shown and described.

(22) Filed: **Jun. 29, 2000**

DESCRIPTION

(30) **Foreign Application Priority Data**

Mar. 10, 2000 (JP) 12-005328

(51) **LOC (7) Cl.** **12-16**

(52) **U.S. Cl.** **D12/196**

(58) **Field of Search** D12/196, 90-92;
296/185

FIG. 1 is a perspective view of a front portion of motor
vehicle;

FIG. 2 is a front view thereof;

FIG. 3 is a rear view of the motor vehicle;

FIG. 4 is a right side view thereof;

FIG. 5 is a left side view thereof;

FIG. 6 is a top view thereof; and,

FIG. 7 is an enlarged fragmentary front elevational view
thereof, taken along lines 7—7 in FIG. 2.

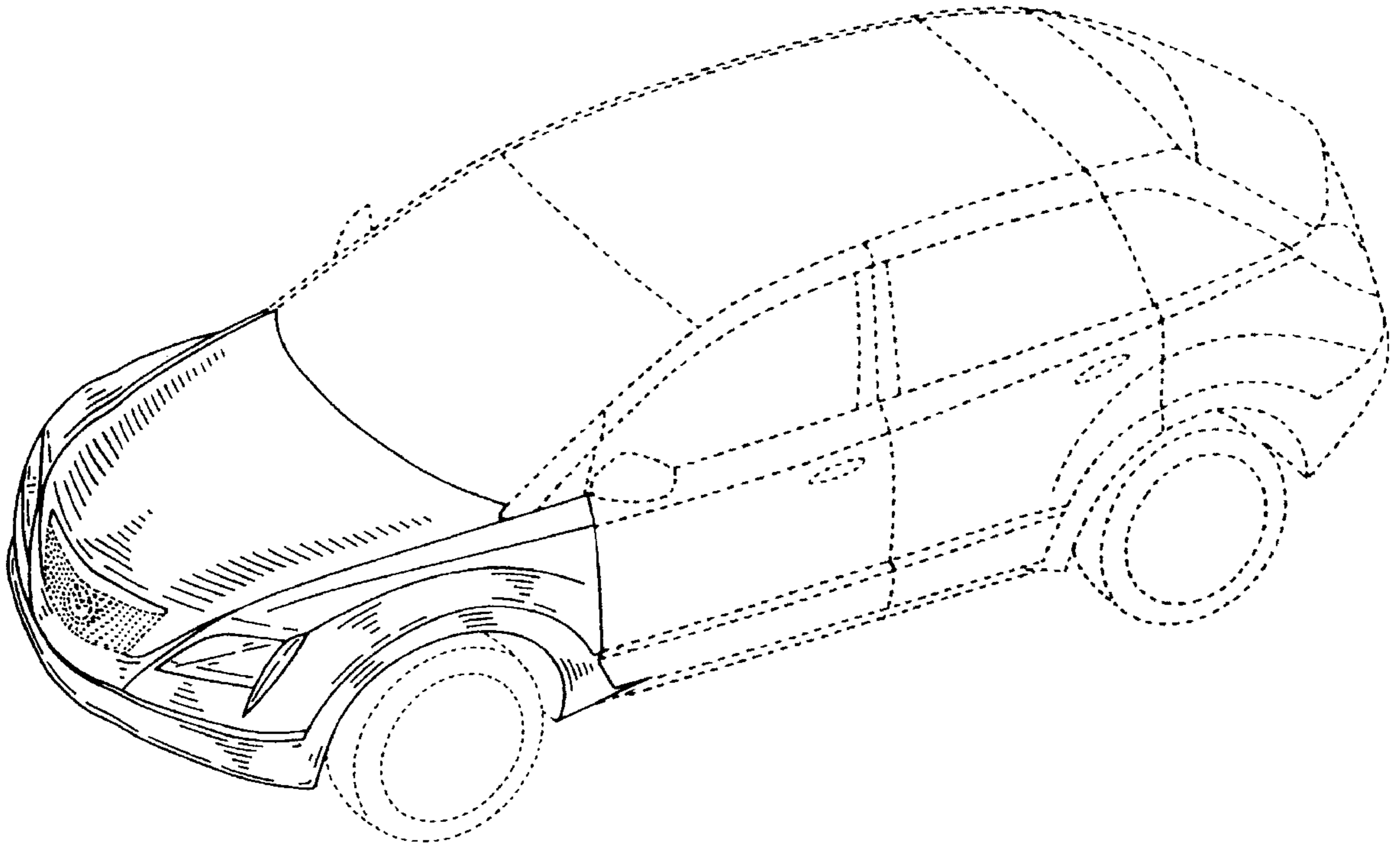
The portion of the motor vehicle shown in broken lines is for
illustrative purpose only and forms no part of the claimed
design.

(56) **References Cited**

U.S. PATENT DOCUMENTS

D. 422,546 * 4/2000 Toyota D12/196
D. 423,438 * 4/2000 Shimazu D12/196
D. 425,844 * 5/2000 Toyota D12/196

1 Claim, 6 Drawing Sheets



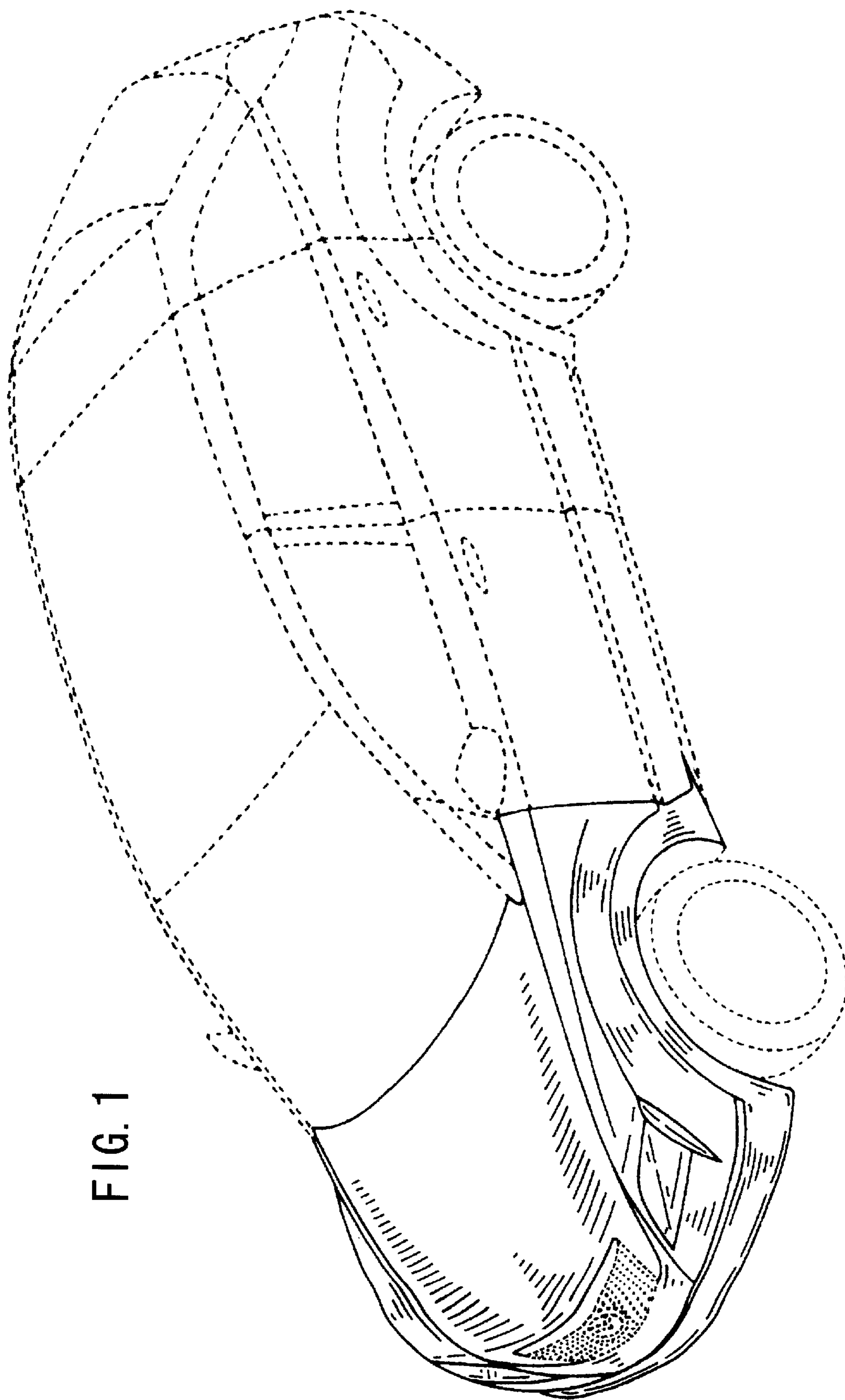


FIG. 1

FIG. 2

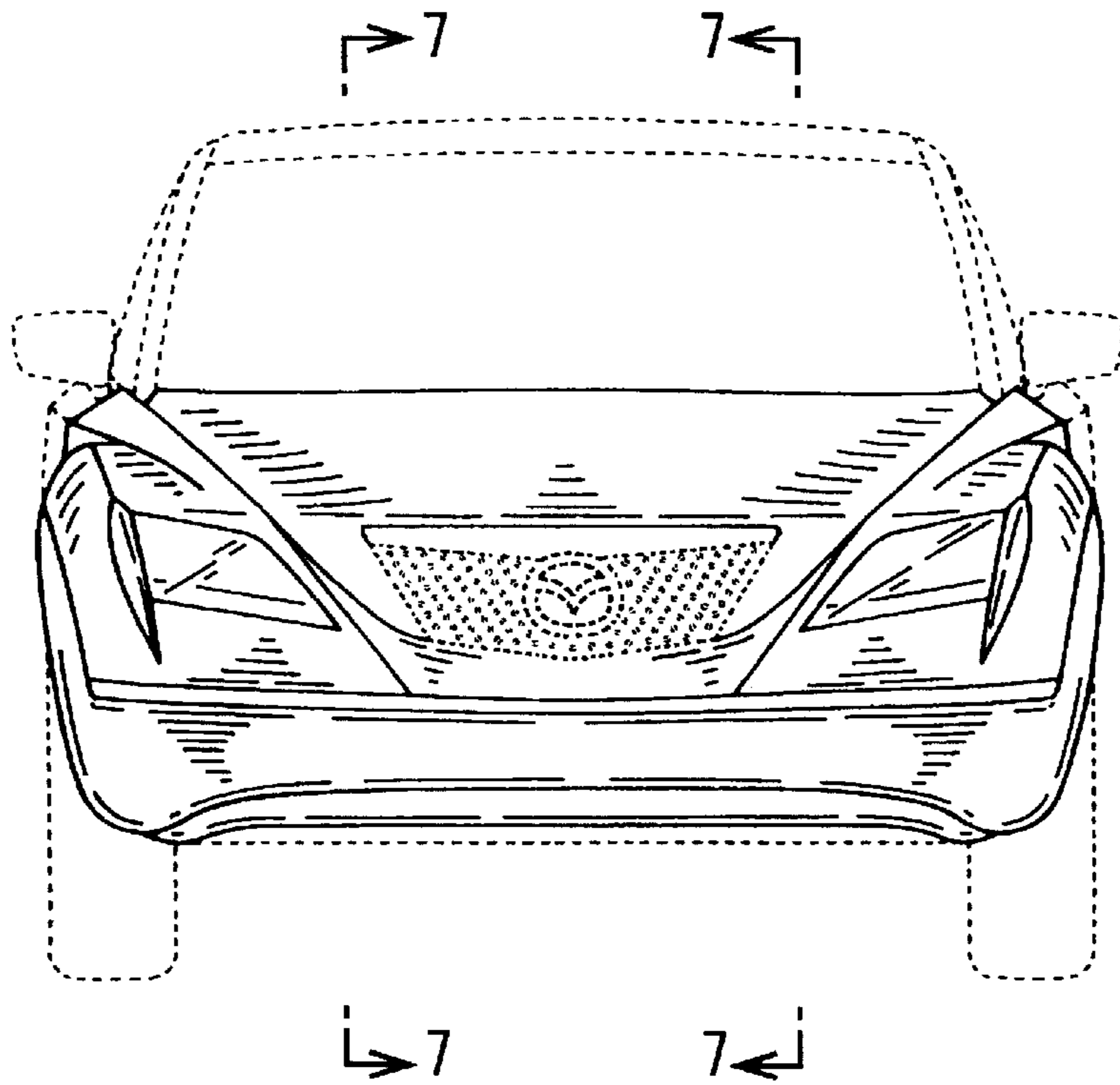


FIG. 3

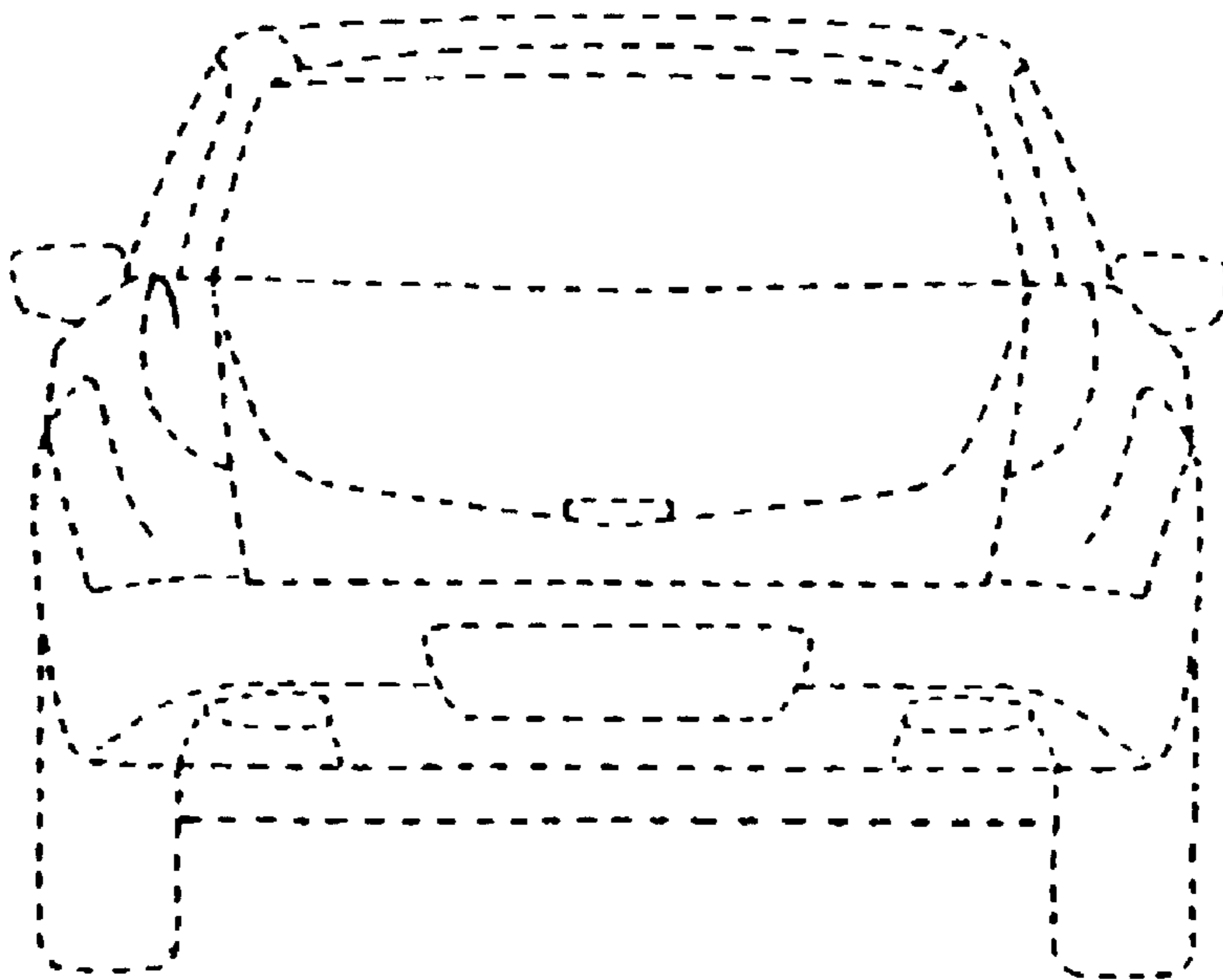


FIG. 4

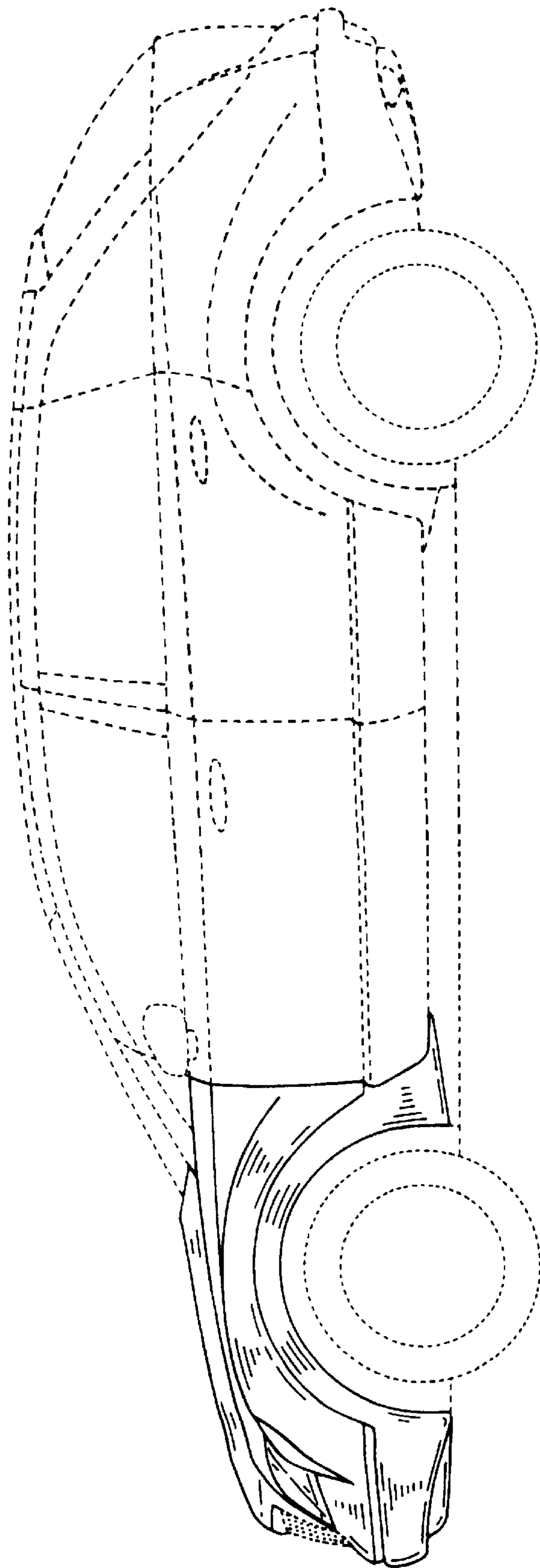


FIG. 5

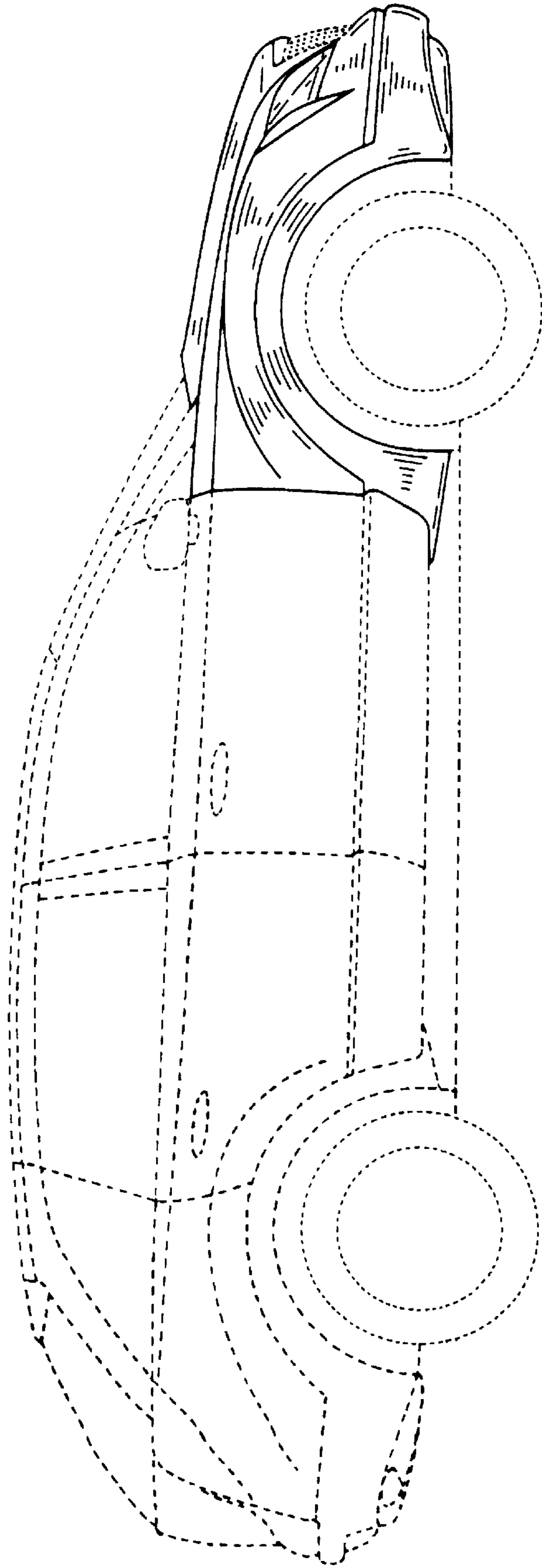


FIG. 6

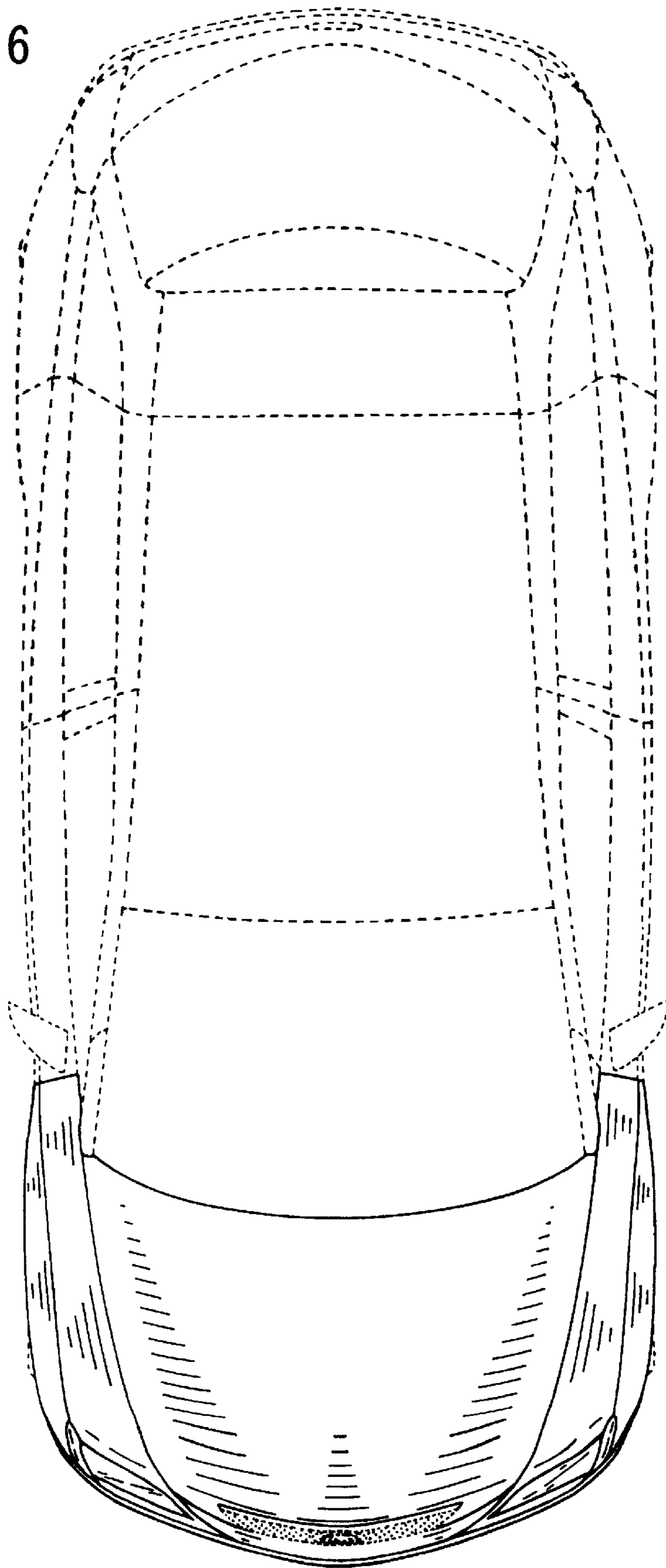


FIG. 7

