



US00D443574S

(12) **United States Design Patent**  
**Lian**

(10) **Patent No.:** **US D443,574 S**

(45) **Date of Patent:** **\*\* Jun. 12, 2001**

(54) **SET OF DOORS FOR SPORT UTILITY VEHICLE**

D. 396,203 \* 7/1998 Uetmatsu et al. .... D12/91  
D. 396,828 \* 8/1998 Baccus et al. .... D12/91

(75) Inventor: **David N L Lian**, 7913 S. 86th E. Place,  
Tulsa, OK (US) 74133

\* cited by examiner

*Primary Examiner*—Melody N. Brown

(73) Assignee: **David N L Lian**, Tulsa, OK (US)

(57) **CLAIM**

(\*\*) Term: **14 Years**

The ornamental design for a set of doors for sport utility vehicle, as shown and described.

(21) Appl. No.: **29/108,761**

**DESCRIPTION**

(22) Filed: **Aug. 4, 1999**

(51) **LOC (7) Cl.** ..... **12-16**

(52) **U.S. Cl.** ..... **D12/196**

(58) **Field of Search** ..... D12/196, 90-92;  
396/185, 183, 190

FIG. 1 is a perspective view of a set of doors for sport utility vehicle showing my new design; and,

FIG. 2 is a left view of a set of doors, the opposite side is a mirror image thereof.

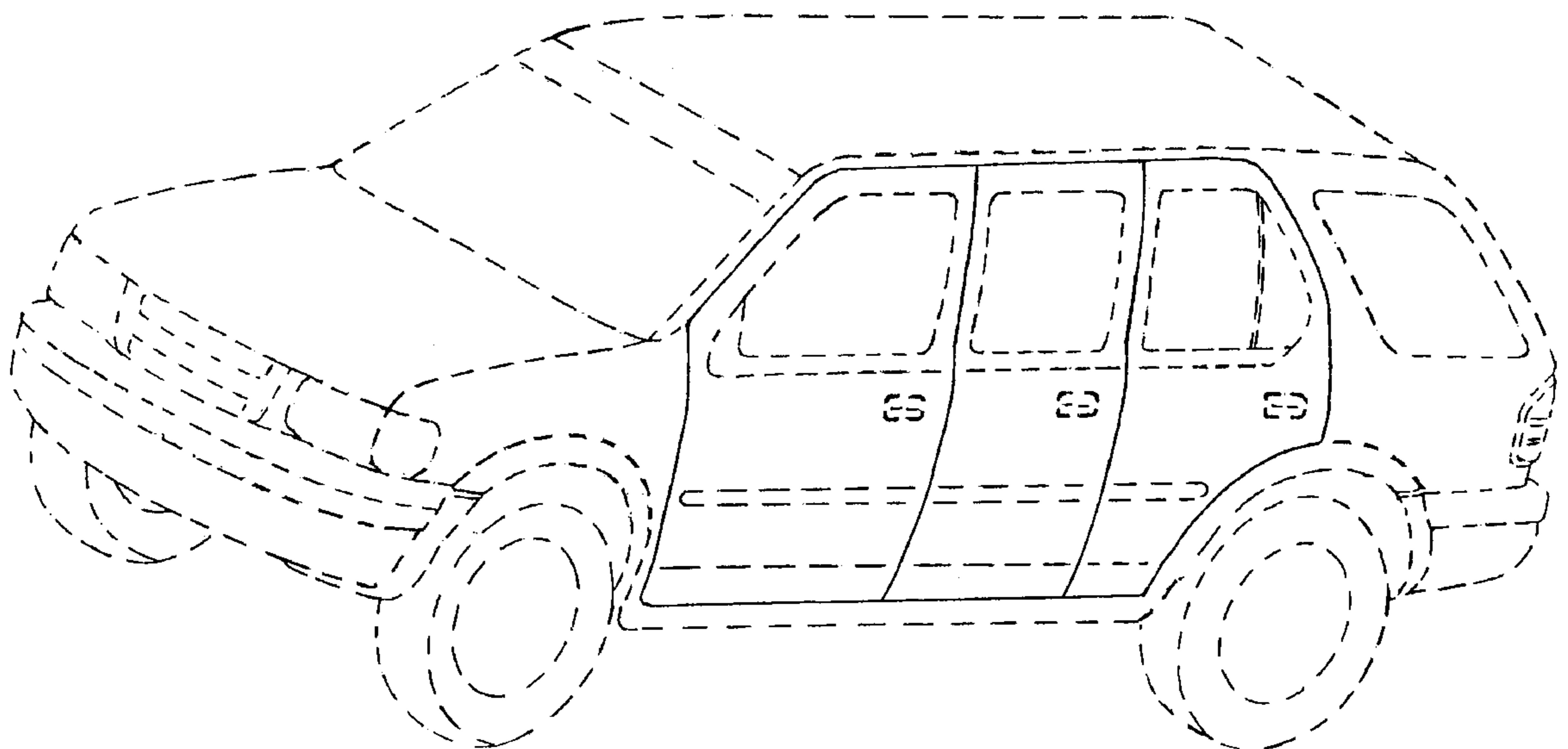
The vehicle portion shown in broken lines are for illustrative purposes only and forms no part of the claimed design.

(56) **References Cited**

**U.S. PATENT DOCUMENTS**

D. 365,783 \* 1/1996 Starr et al. .... D12/91

**1 Claim, 2 Drawing Sheets**



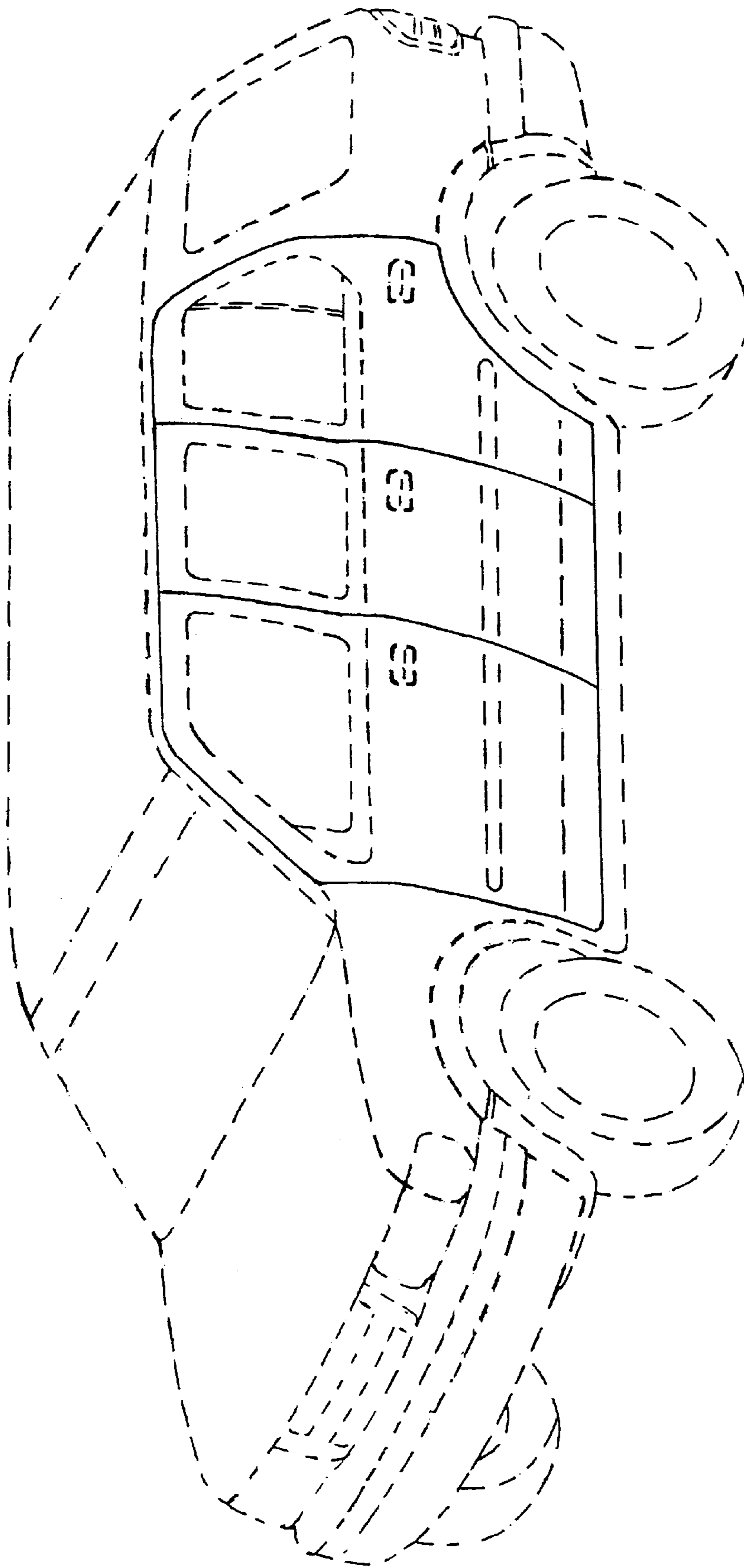


FIG. 1

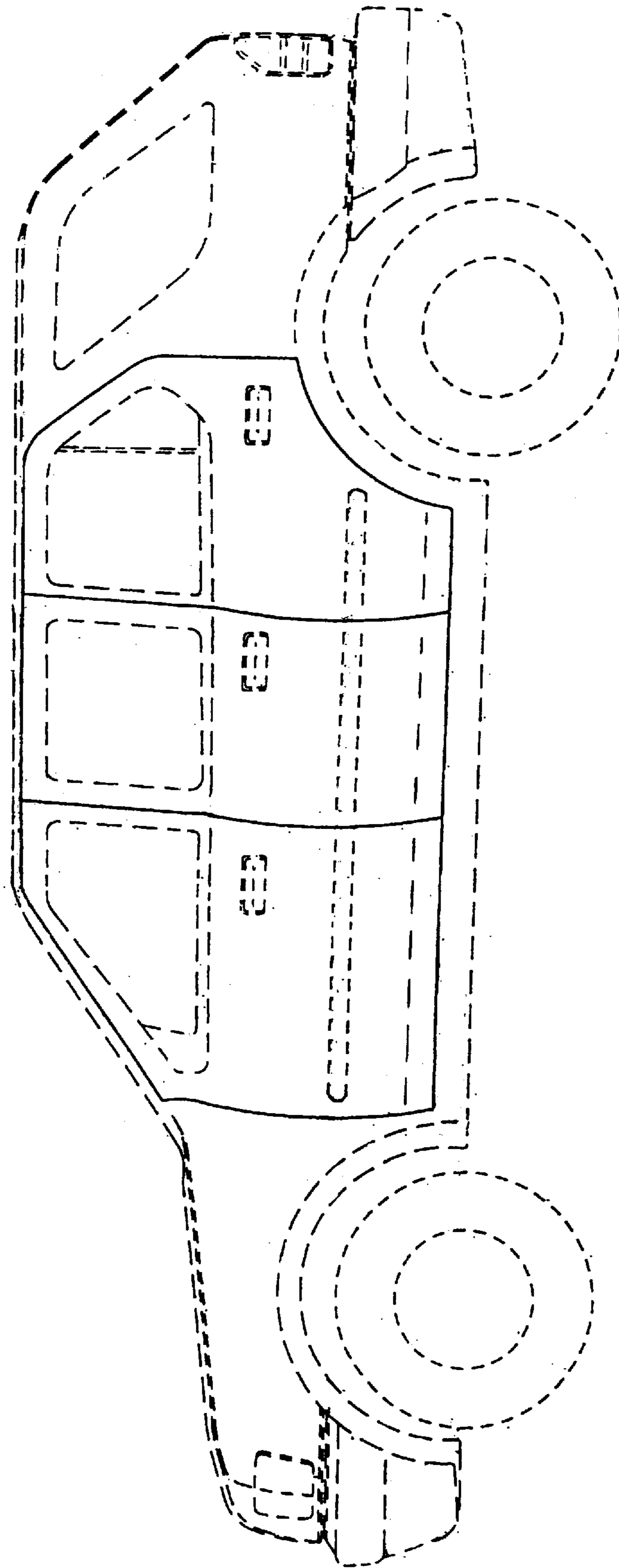


FIG. 2