



US00D443568S

(12) **United States Design Patent**
Pfeiffer

(10) **Patent No.:** **US D443,568 S**

(45) **Date of Patent:** **** Jun. 12, 2001**

(54) **FRONT BUMPER FOR A VEHICLE**

(75) **Inventor:** **Peter Pfeiffer**, Boeblingen (DE)

(73) **Assignee:** **DaimlerChrysler AG**, Stuttgart (DE)

(**) **Term:** **14 Years**

(21) **Appl. No.:** **29/128,219**

(22) **Filed:** **Aug. 22, 2000**

Related U.S. Application Data

(62) Division of application No. 29/086,743, filed on Apr. 20, 1998.

(30) **Foreign Application Priority Data**

Feb. 28, 2000 (DE) 4 00 02 024

(51) **LOC (7) Cl.** **12-16**

(52) **U.S. Cl.** **D12/169**

(58) **Field of Search** D12/169, 196,
D12/90-92; 293/102, 113, 115, 117, 120;
296/180.1, 180.2

(56) **References Cited**

U.S. PATENT DOCUMENTS

- D. 368,448 * 4/1996 Sacco et al. D12/92
- D. 372,689 * 8/1996 Sacco et al. D12/92
- D. 380,178 * 6/1997 Sacco et al. D12/92
- D. 393,440 4/1998 Pfeiffer et al. D12/196
- D. 393,610 4/1998 Sacco et al. D12/92
- D. 395,847 * 7/1998 Sacco et al. D12/92
- D. 419,938 * 2/2000 Sacco et al. D12/196
- D. 422,250 * 4/2000 Sacco et al. D12/169

- D. 426,503 * 6/2000 Gopler D12/169
- D. 426,799 * 6/2000 Fink D12/169
- D. 427,553 * 7/2000 Pfeiffer D12/169

* cited by examiner

Primary Examiner—Melody N. Brown

(74) *Attorney, Agent, or Firm*—Evenson, McKeown, Edwards & Lenahan, P.L.L.C.

(57) **CLAIM**

The ornamental design for a front bumper for a vehicle, as shown and described.

DESCRIPTION

This application is related to co-pending application Ser. No. 29/128,220, of the inventor, filed on even date herewith and entitled "Front Bumper for a Vehicle."

FIG. 1 is a front, left perspective view of a front bumper for a vehicle according to my novel design, the front, right perspective view being mirror symmetrical;

FIG. 2 is a front view of the front bumper for a vehicle according to my novel design;

FIG. 3 is left side view of the front bumper for a vehicle according to my novel design;

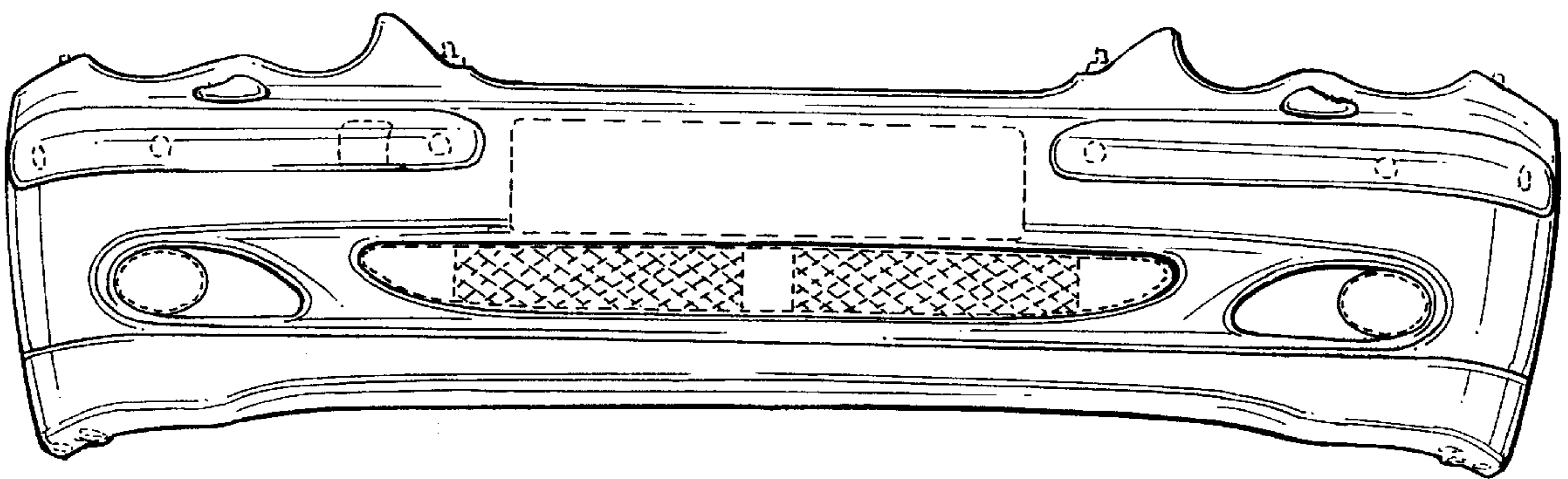
FIG. 4 is a right side view of the front bumper for a vehicle according to my novel design;

FIG. 5 is top view of the front bumper for a vehicle according to my novel design; and,

FIG. 6 is a bottom view of the front bumper for a vehicle according to my novel design.

The broken lines included depict environment and are not part of the claimed design.

1 Claim, 3 Drawing Sheets



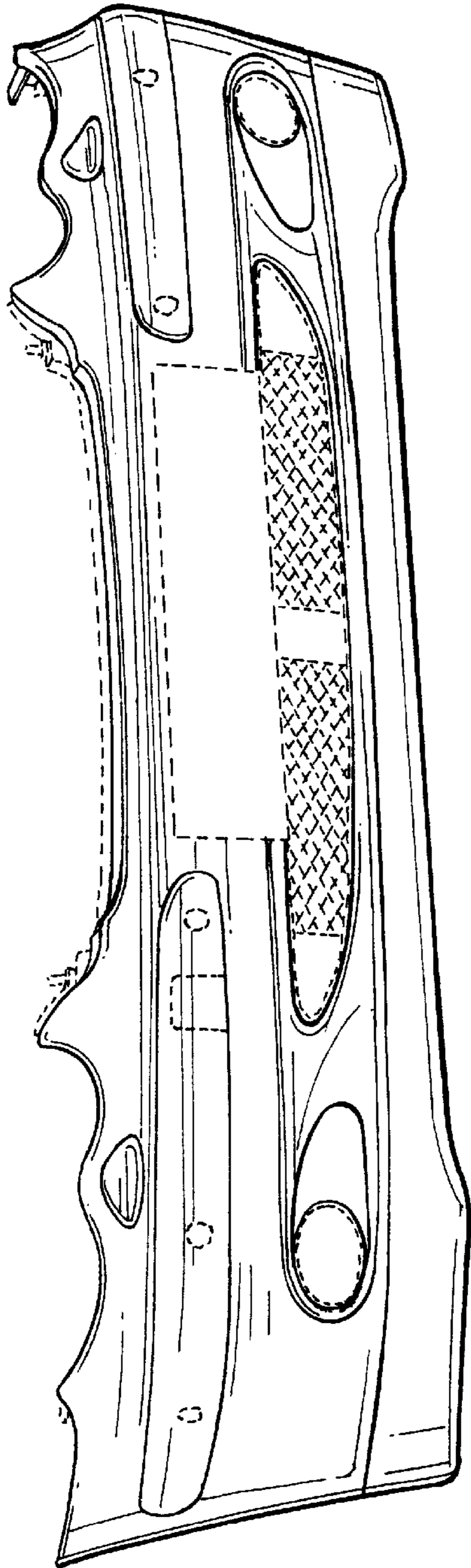


FIG. 1

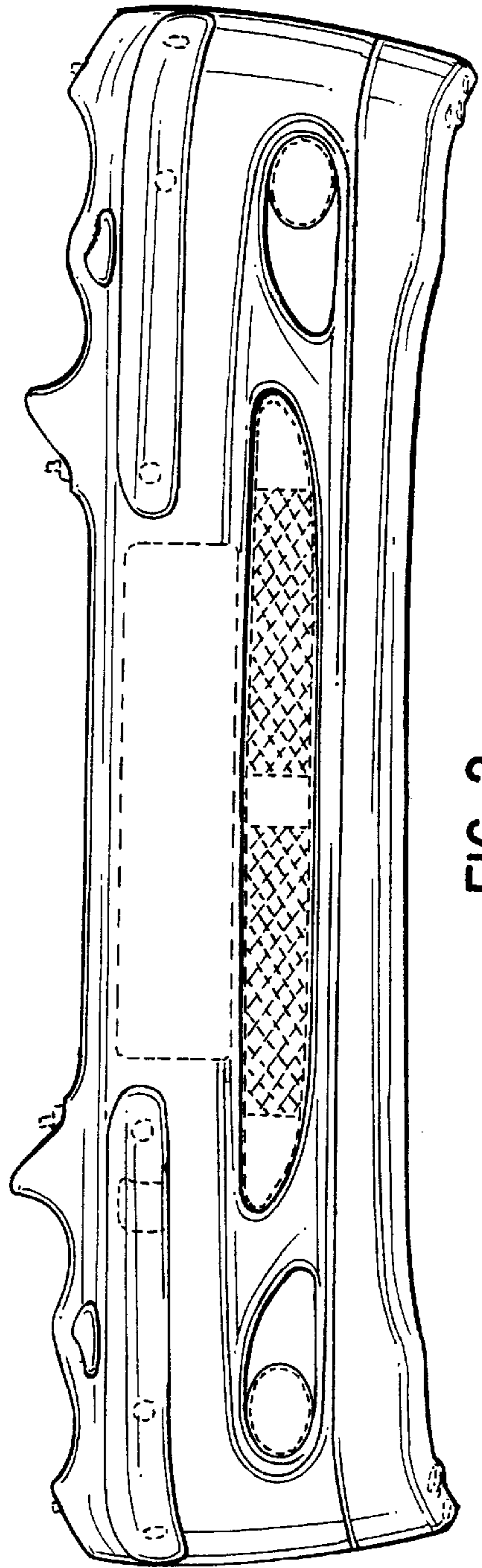


FIG. 2

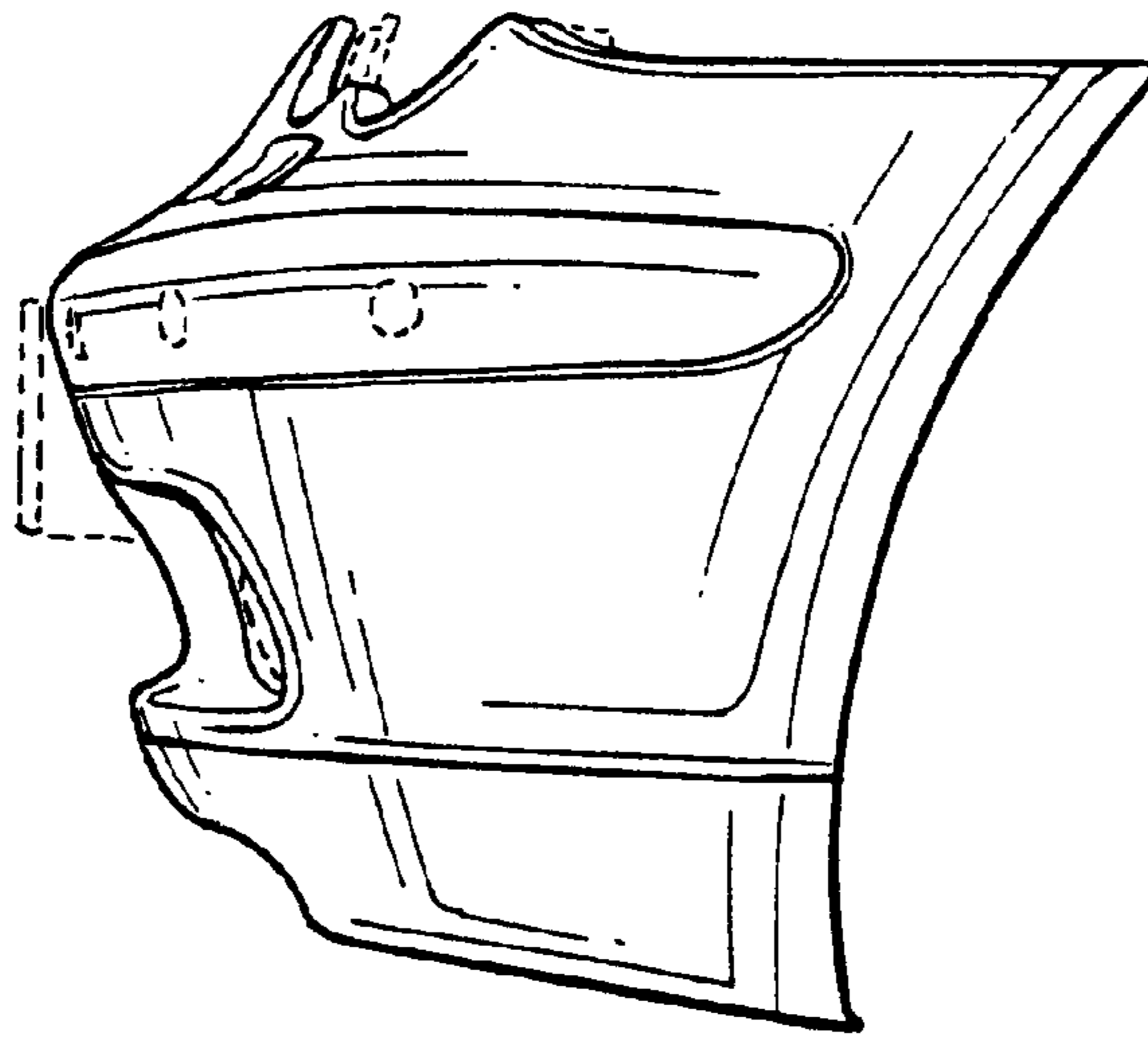


FIG. 3

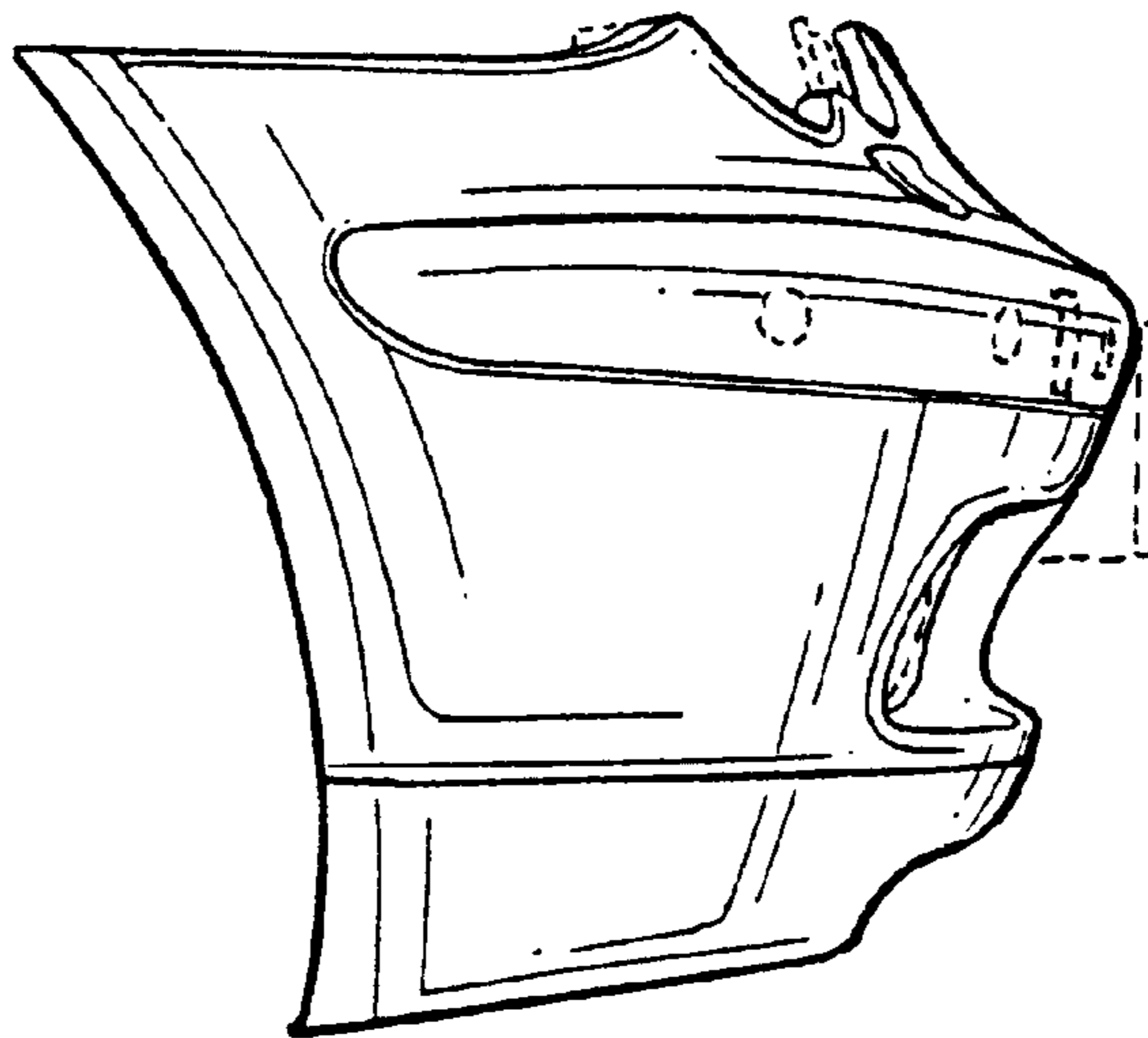


FIG. 4

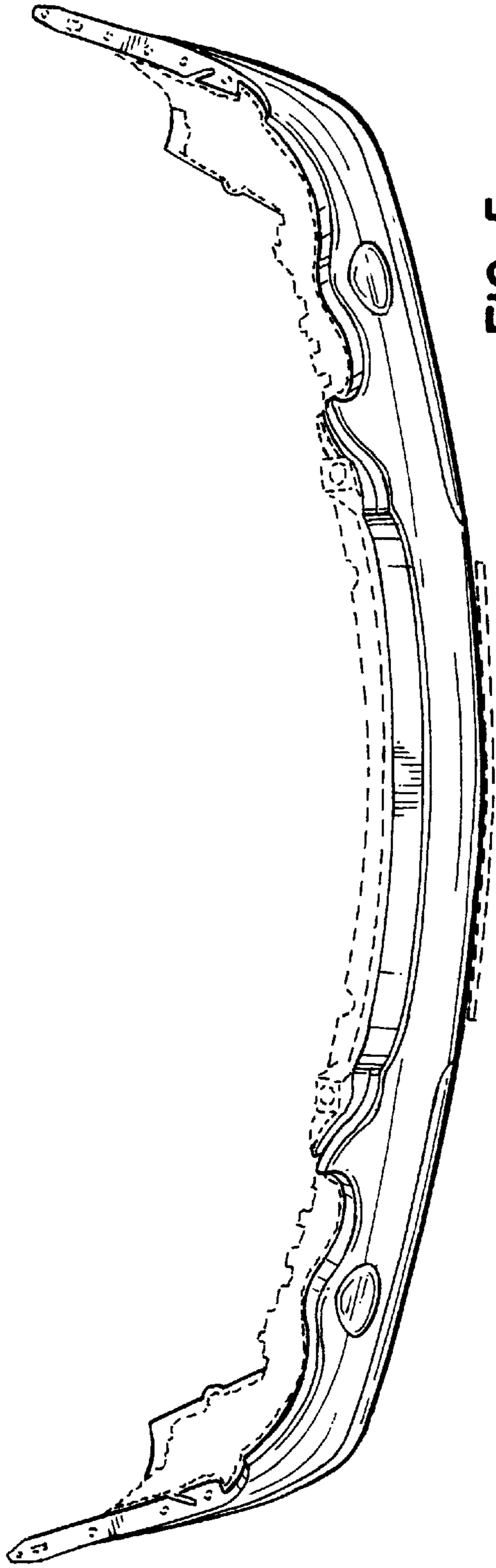


FIG. 5

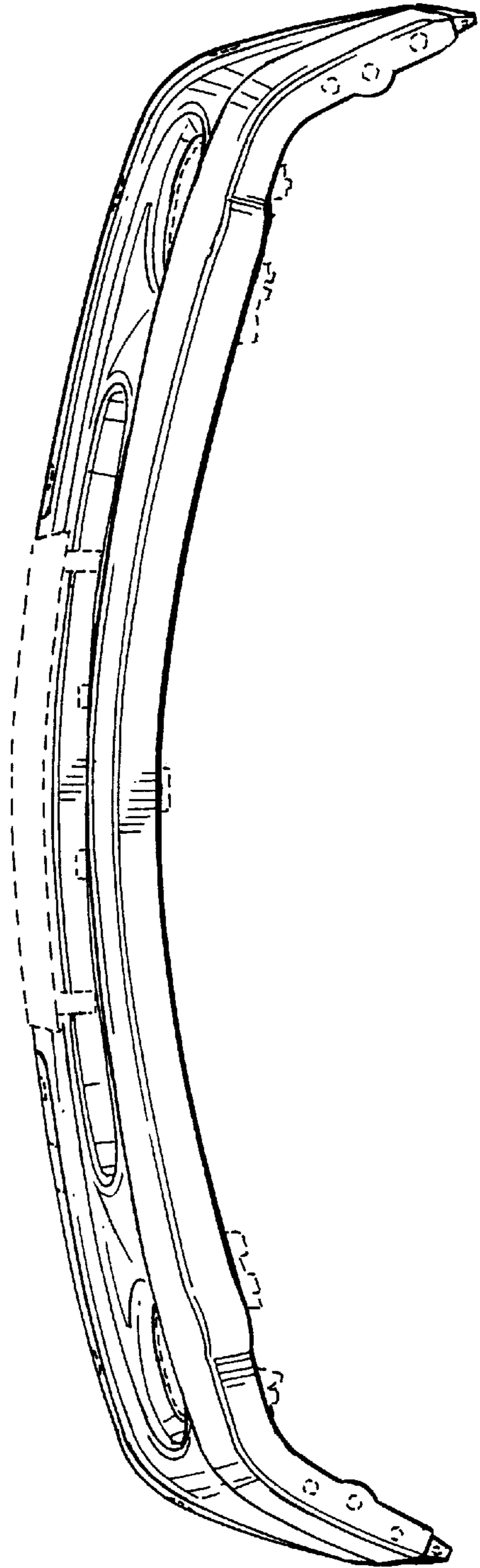


FIG. 6