



US00D443567S

(12) **United States Design Patent**  
**Weir et al.**

(10) **Patent No.:** **US D443,567 S**

(45) **Date of Patent:** **\*\* Jun. 12, 2001**

(54) **TRAILER HITCH BALL**

(76) Inventors: **Wendell W Weir; Richard Kryfka,**  
both of 64 N. Linden Ave., Palatine, IL  
(US) 60067

(\*\*) Term: **14 Years**

(21) Appl. No.: **29/132,885**

(22) Filed: **Nov. 17, 2000**

(51) **LOC (7) Cl.** ..... **12-16**

(52) **U.S. Cl.** ..... **D12/162**

(58) **Field of Search** ..... D12/162, 400;  
280/415, 416-416.3, 504, 510-513, 493-495,  
491.3

(56) **References Cited**

**U.S. PATENT DOCUMENTS**

D. 157,643	*	3/1950	Swaigood	.....	D12/162
D. 158,372	*	5/1950	Gee	.....	D12/162
D. 173,549	*	11/1954	Taylor	.....	D12/162
D. 317,890	*	7/1991	Bachmann	.....	D12/162
D. 342,472	*	12/1993	Harper	.....	D12/162
D. 359,018		6/1995	Thigpen	.	
D. 401,197	*	11/1998	Julian	.....	D12/162
D. 404,349	*	1/1999	Julian	.....	D12/162
D. 404,696	*	1/1999	Julian	.....	D12/162
D. 409,537		5/1999	Adelaar	.	
D. 417,177	*	11/1999	Contreras	.....	D12/162
D. 431,216	*	9/2000	Belinky	.....	D12/162

D. 431,504	*	10/2000	Hoska	.....	D12/162
D. 436,065	*	1/2001	Peng	.....	D12/162
4,248,450		2/1981	McWethy	.	
4,522,421		6/1985	Vance	.	
5,419,576		5/1995	Van Vleet	.	

\* cited by examiner

*Primary Examiner*—Stacia Cadmus

(57) **CLAIM**

The ornamental design for a trailer hitch ball, as shown and described.

**DESCRIPTION**

FIG. 1 is a top, rear perspective view of the trailer hitch ball of the present invention;

FIG. 2 is an enlarged front view of the trailer hitch ball of FIG. 1, the rear view being a mirror image thereof;

FIG. 3 is an enlarged left side elevational view of the trailer hitch ball of FIG. 1;

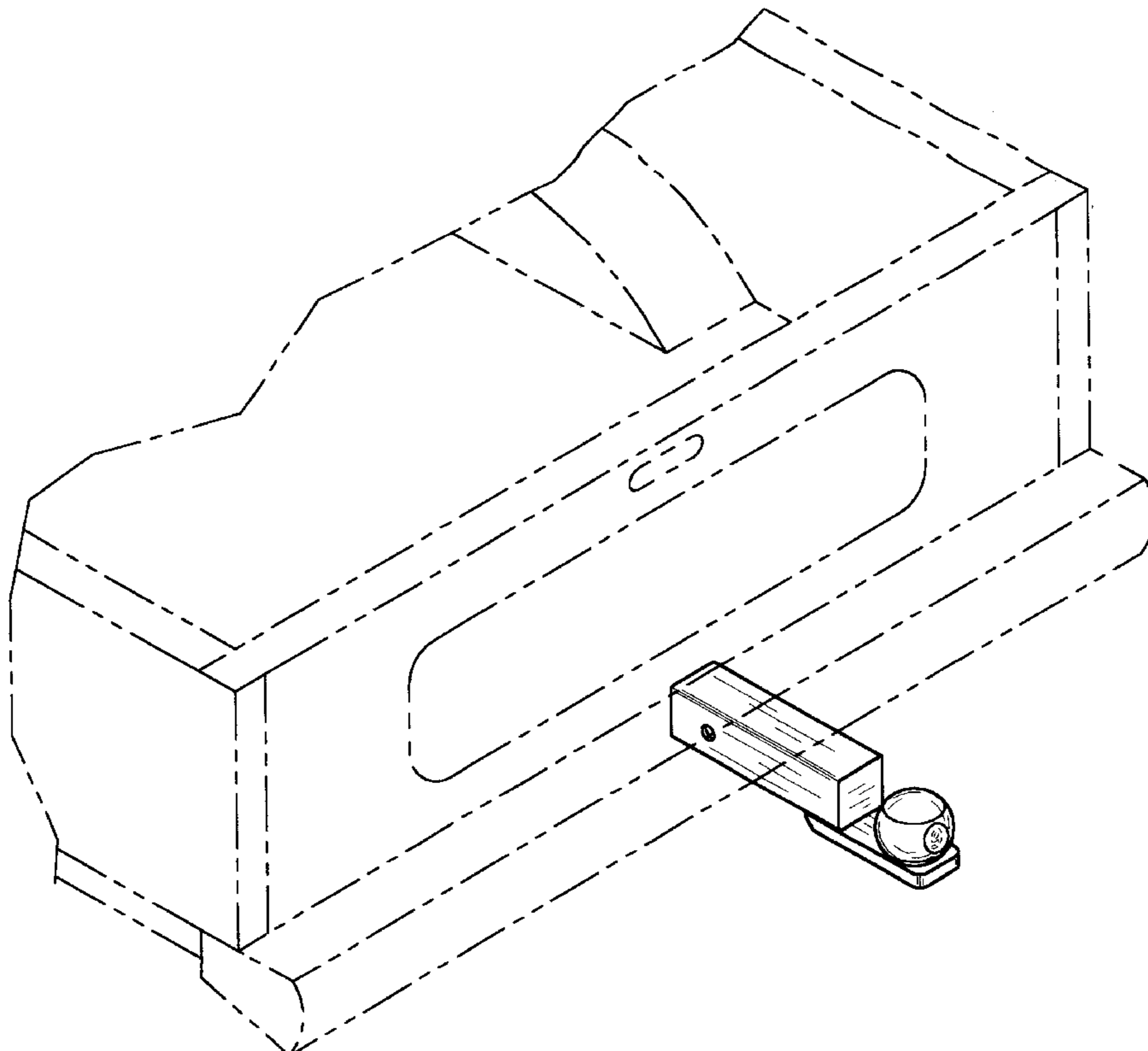
FIG. 4 is an enlarged right side elevational view of the trailer hitch ball of FIG. 1;

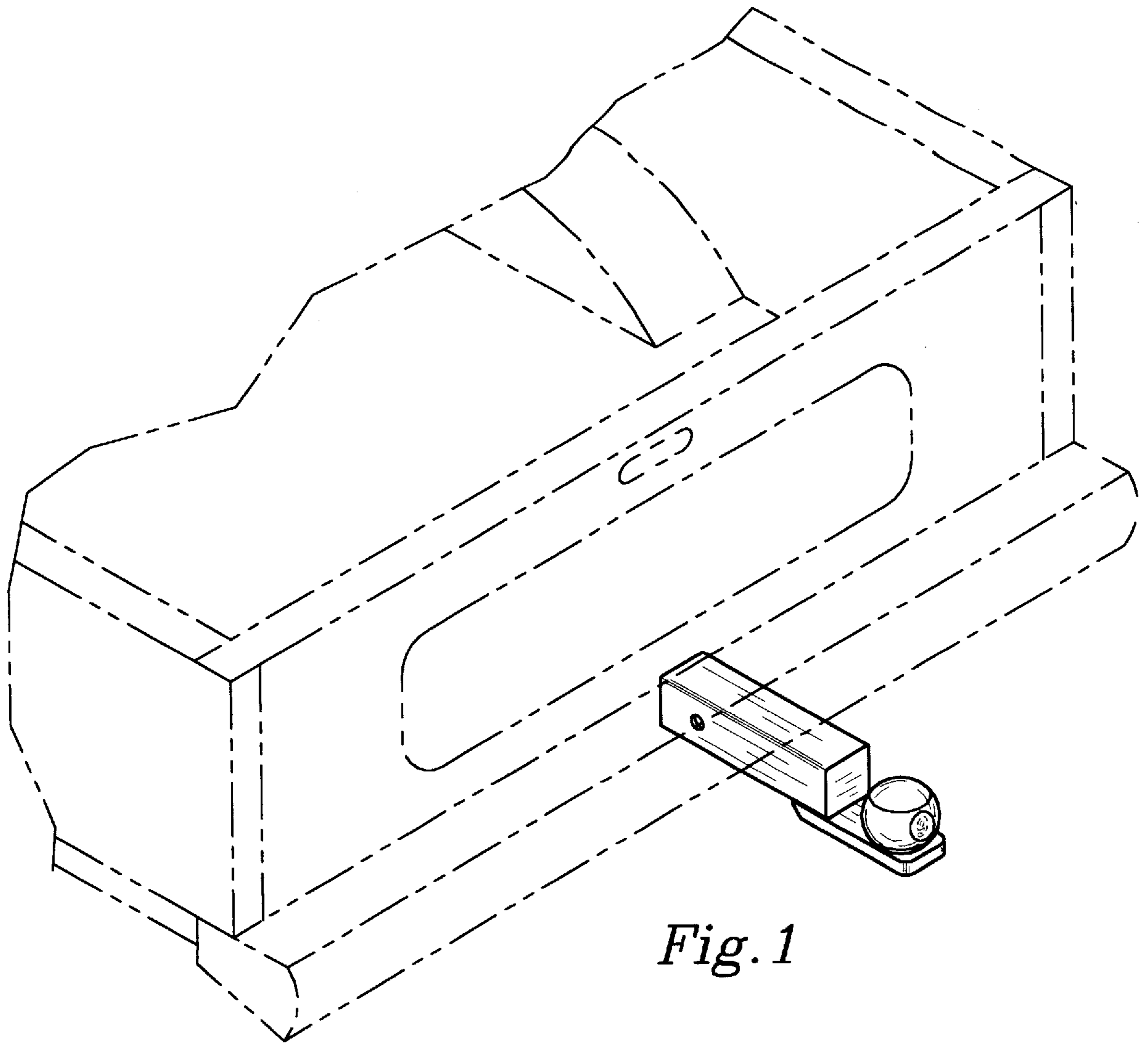
FIG. 5 is an enlarged top plan view of the trailer hitch ball of FIG. 1; and,

FIG. 6 is an enlarged bottom plan view of the trailer hitch ball of FIG. 1.

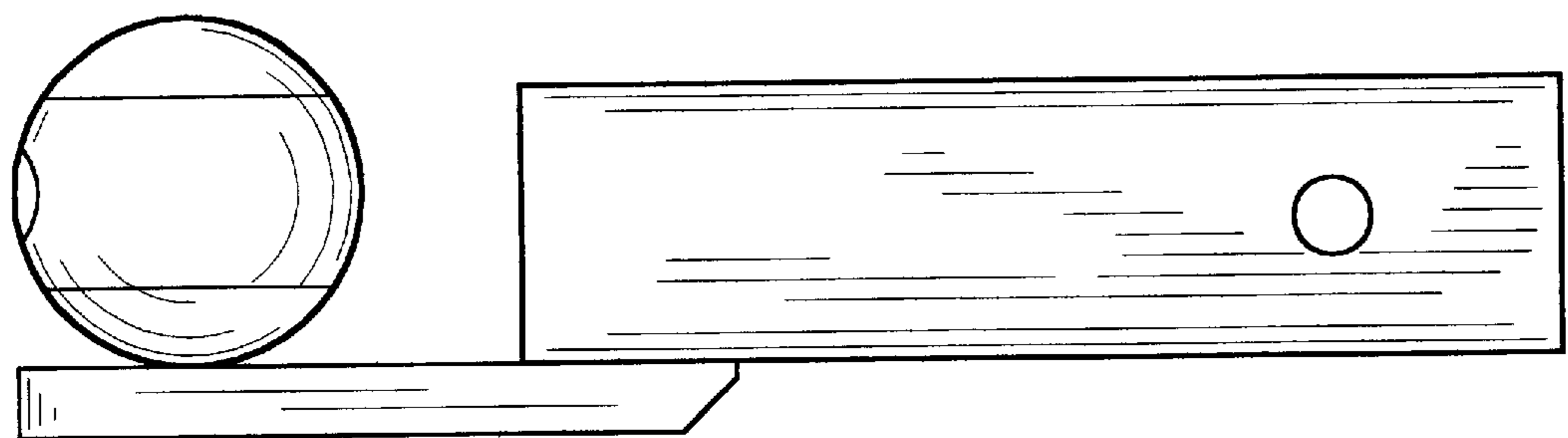
The broken line showing of environment is for illustrative purposes only and forms no part of the claimed design.

**1 Claim, 2 Drawing Sheets**

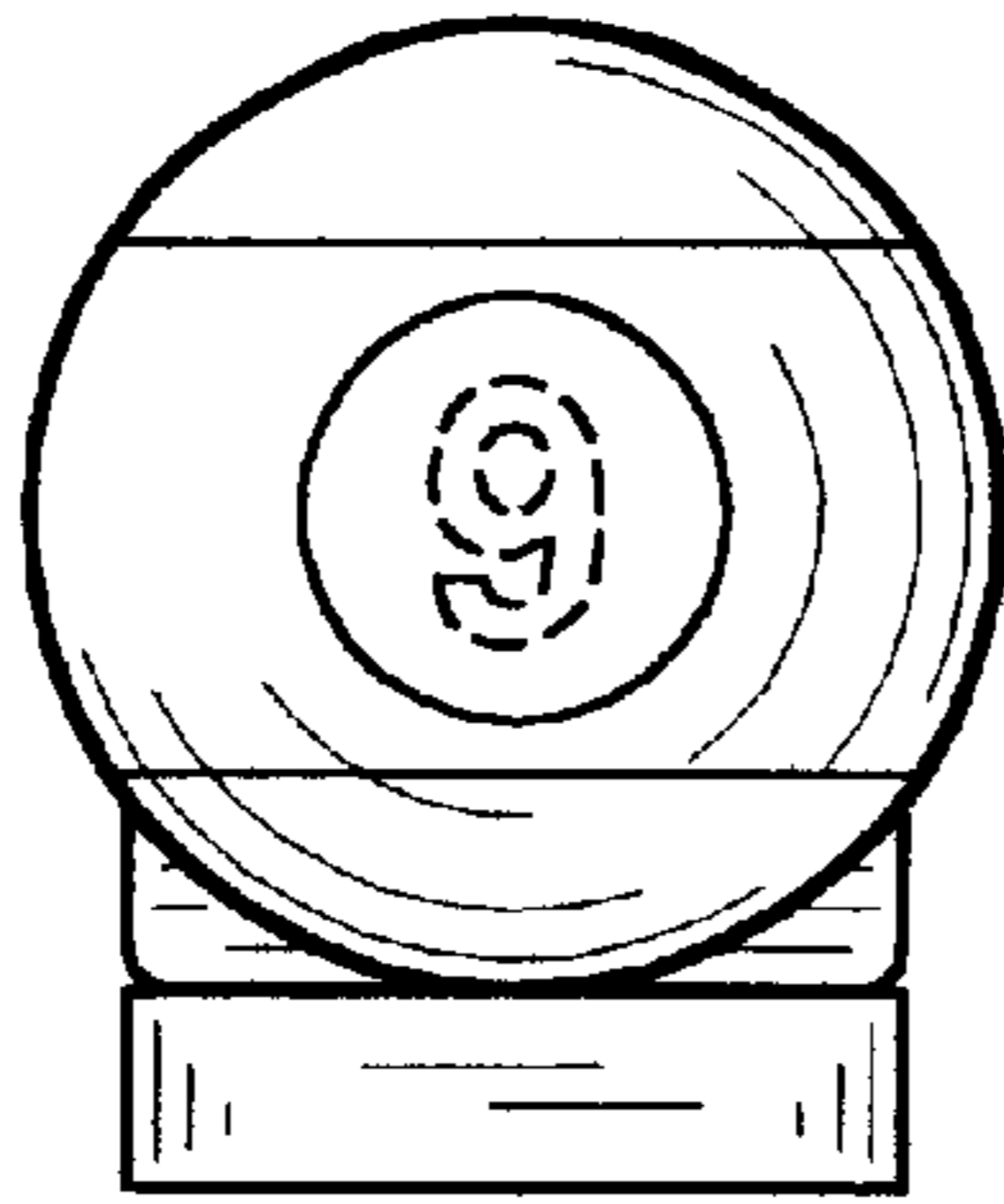




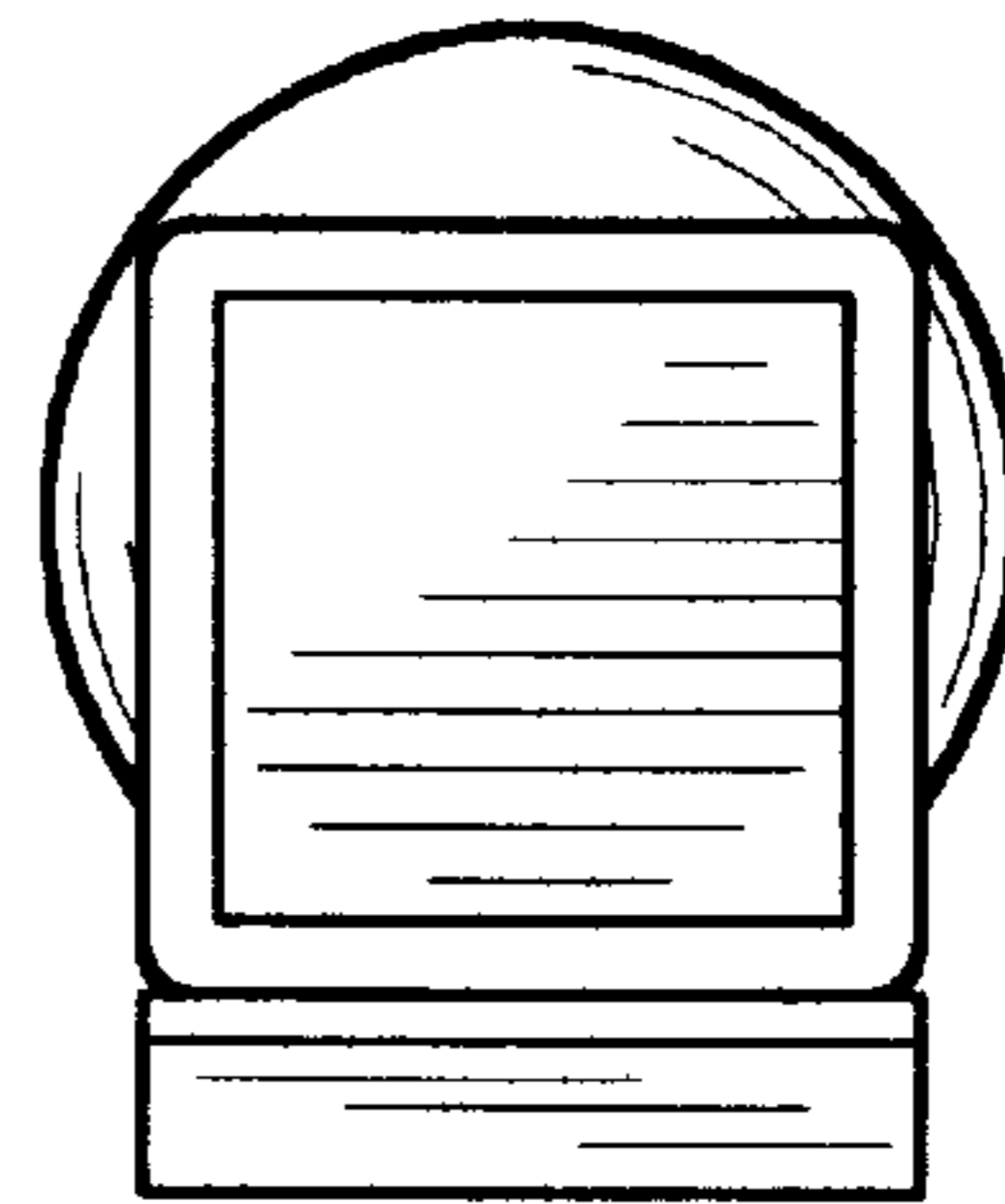
*Fig. 1*



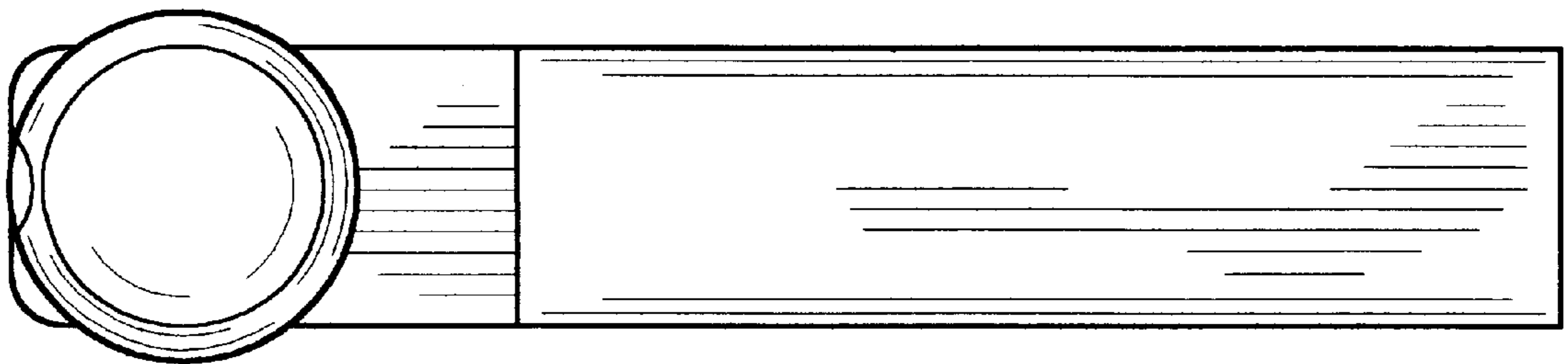
*Fig. 2*



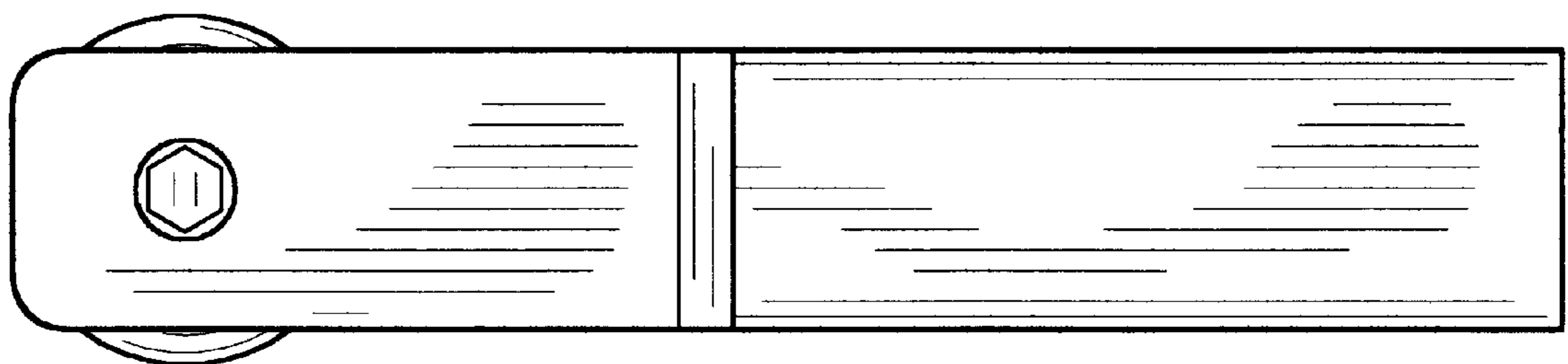
*Fig. 3*



*Fig. 4*



*Fig. 5*



*Fig. 6*