



US00D443563S

(12) **United States Design Patent**
Johnson

(10) **Patent No.:** **US D443,563 S**

(45) **Date of Patent:** **** Jun. 12, 2001**

(54) **MOTORIZED WHEELCHAIR**

(75) Inventor: **Michael Karl Johnson**, Ellis, KS (US)

(73) Assignee: **Wheelchairs of Kansas, Inc.**, Ellis, KS (US)

(**) Term: **14 Years**

(21) Appl. No.: **29/113,925**

(22) Filed: **Nov. 13, 1999**

(51) **LOC (7) Cl.** **12-12**

(52) **U.S. Cl.** **D12/131**

(58) **Field of Search** **D12/128-133;**
280/250.1, 304.1; 180/65.1, 907, 6.5; 297/DIG. 4

(56) **References Cited**

U.S. PATENT DOCUMENTS

D. 316,063	*	4/1991	Michel	D12/131
D. 356,530	*	3/1995	Bee et al.	D12/131
D. 413,554	*	9/1999	Schlangen	D12/131
4,953,645	*	9/1990	Körber et al.	180/6.5

* cited by examiner

Primary Examiner—Kay H. Chin

(74) *Attorney, Agent, or Firm*—Robert Blinn

(57) **CLAIM**

The ornamental design for a motorized wheelchair, as shown.

DESCRIPTION

FIG. 1 is a perspective view of the motorized wheelchair of the present invention showing my new design.

FIG. 2 is a front view of the motorized wheelchair of the present invention showing my new design.

FIG. 3 is a rear view of the motorized wheelchair of the present invention showing my new design.

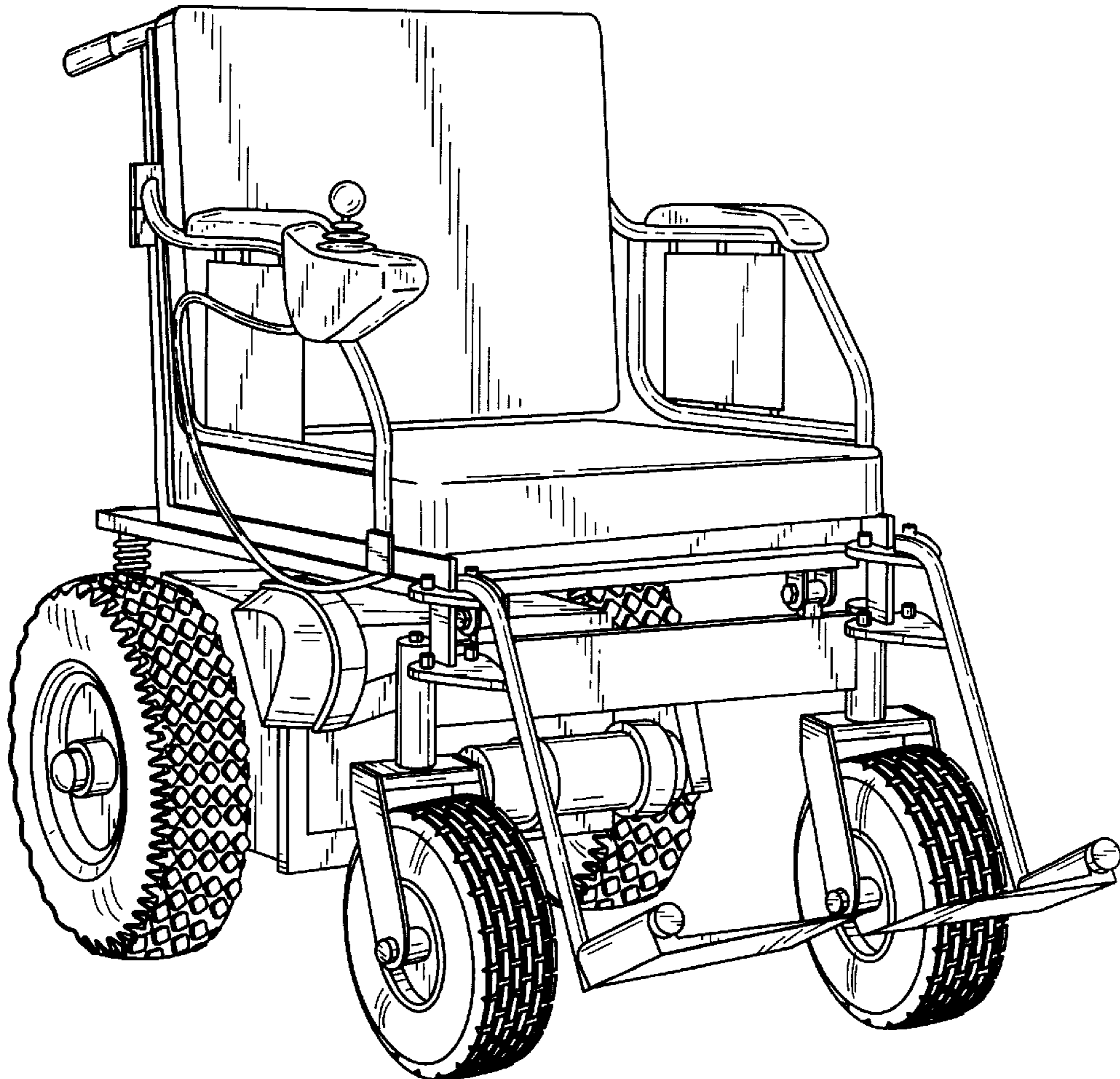
FIG. 4 is a left side view of the motorized wheelchair of the present invention showing my new design.

FIG. 5 is a right side view of the motorized wheelchair of the present invention showing my new design.

FIG. 6 is a top view of the motorized wheelchair of the present invention showing my new design; and,

FIG. 7 is a bottom view of the motorized wheelchair of the present invention showing my new design.

1 Claim, 4 Drawing Sheets



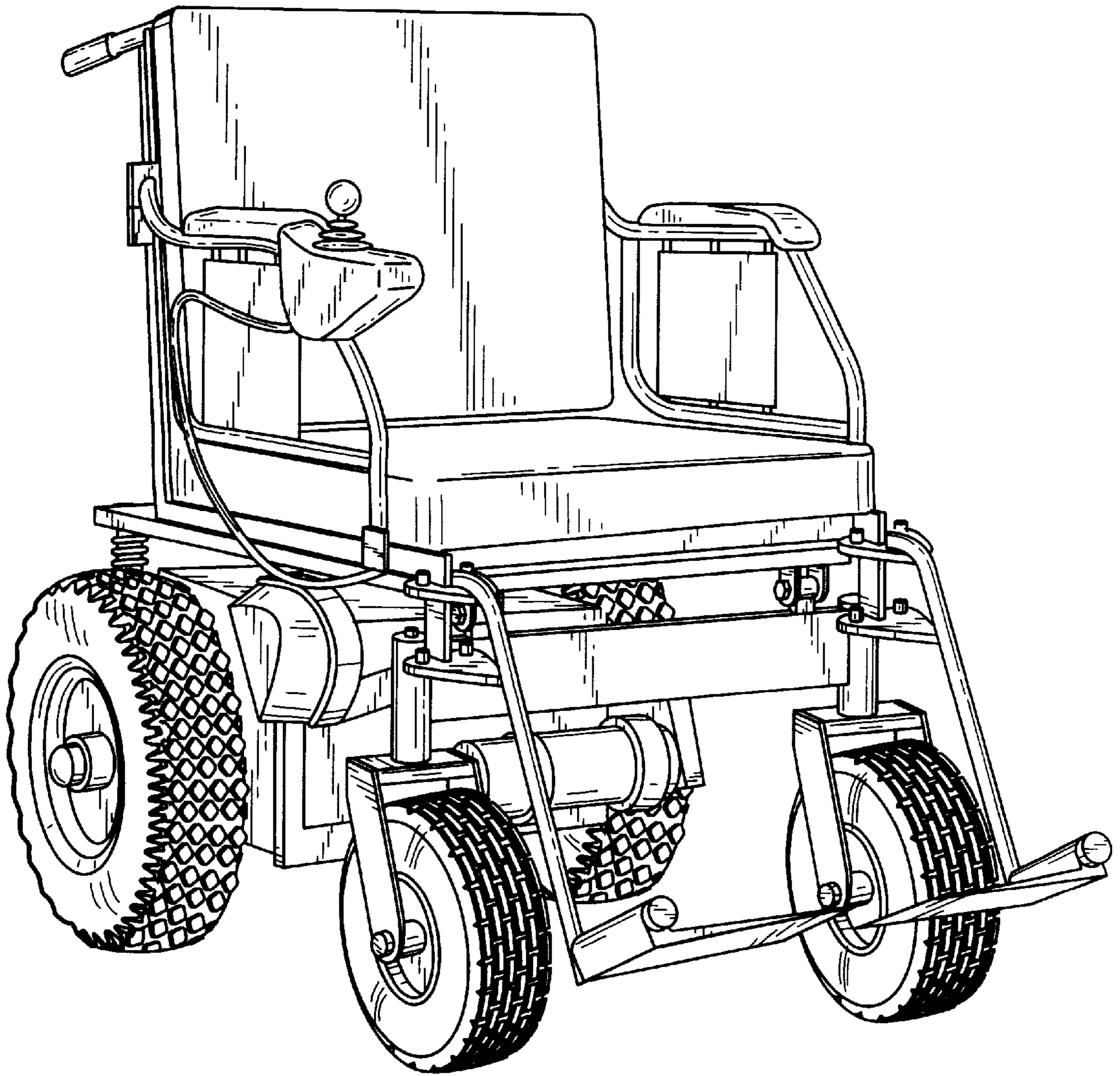


FIG. 1

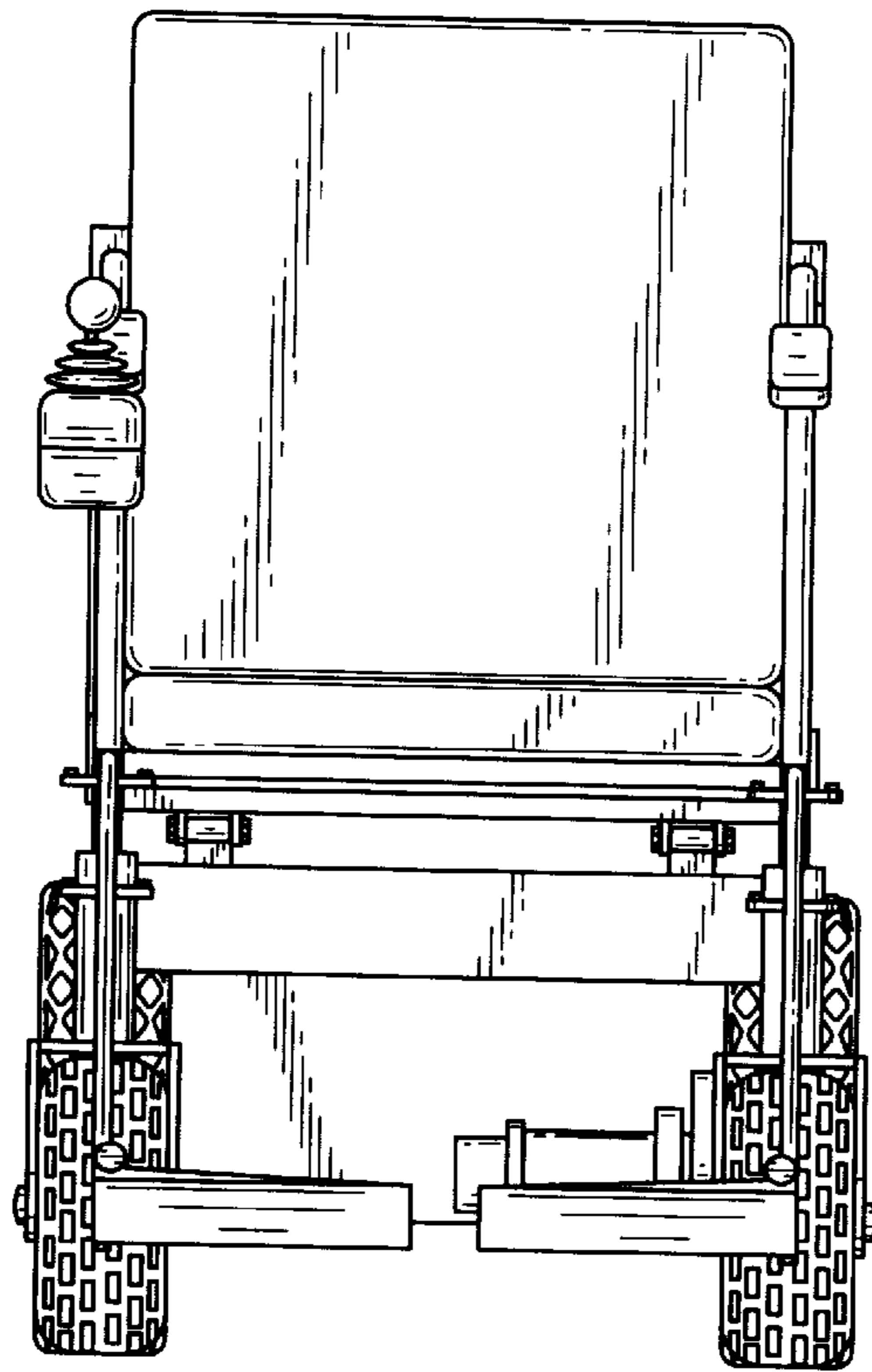


FIG. 2

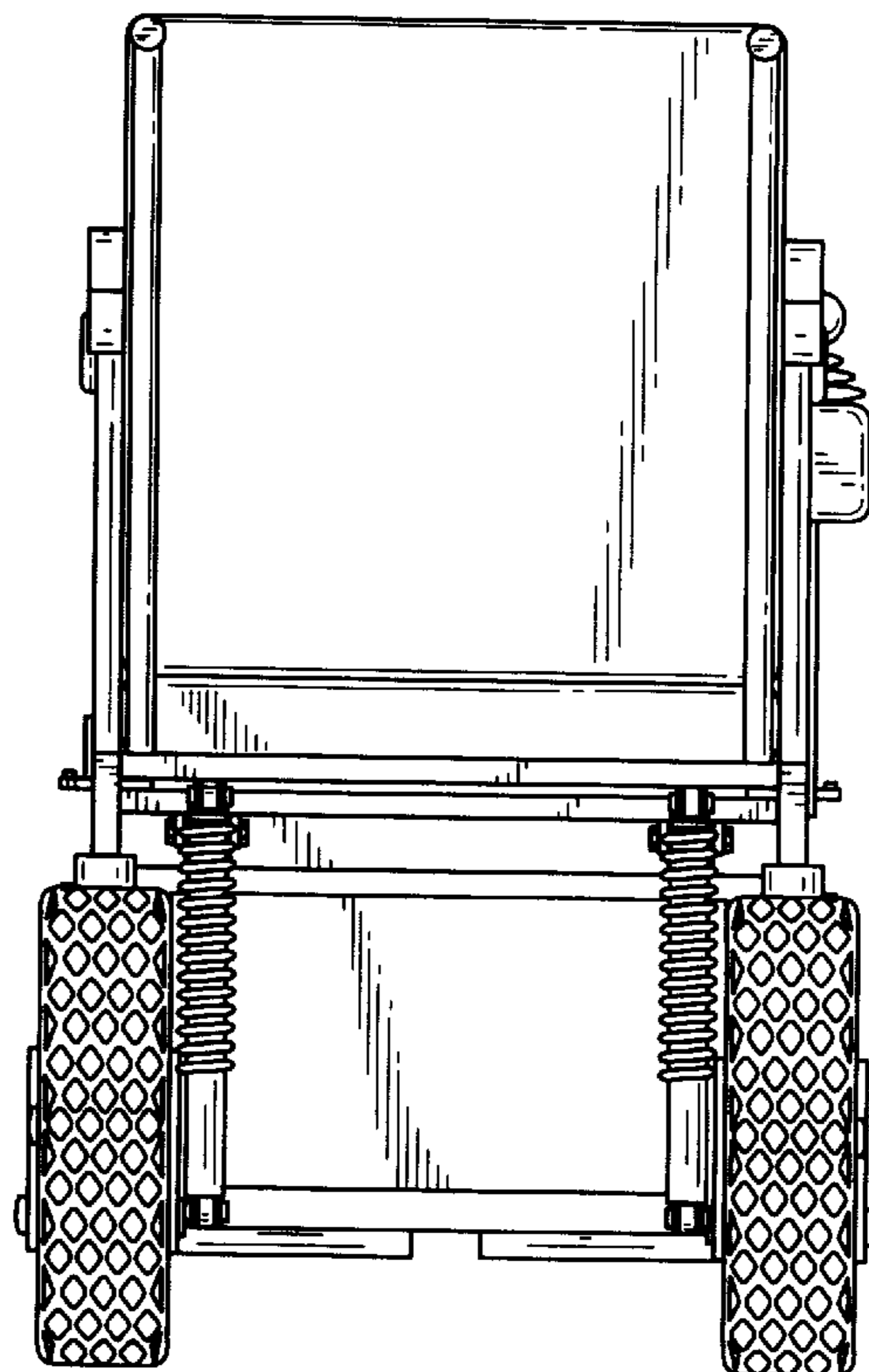


FIG. 3

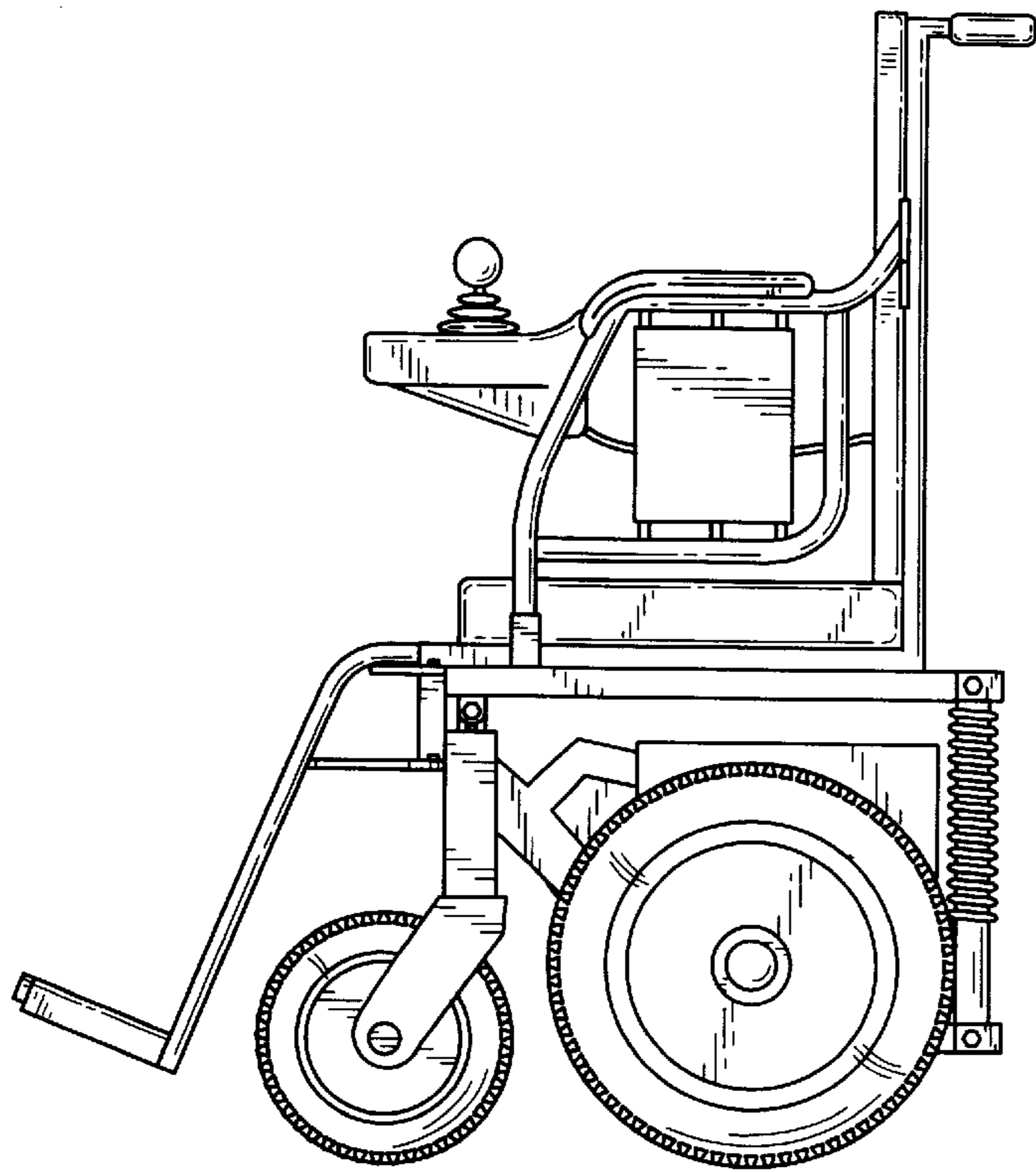


FIG. 4

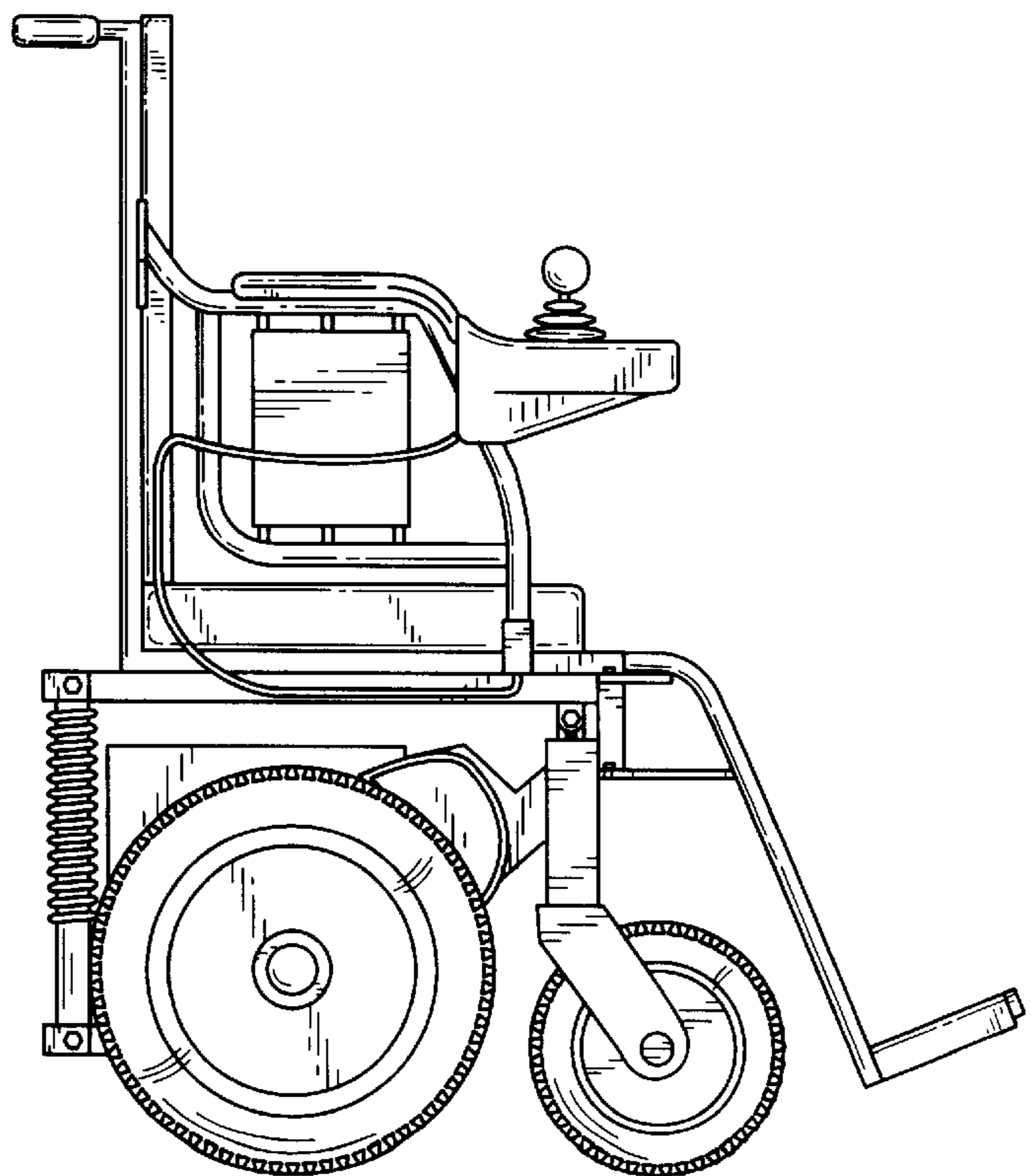


FIG. 5

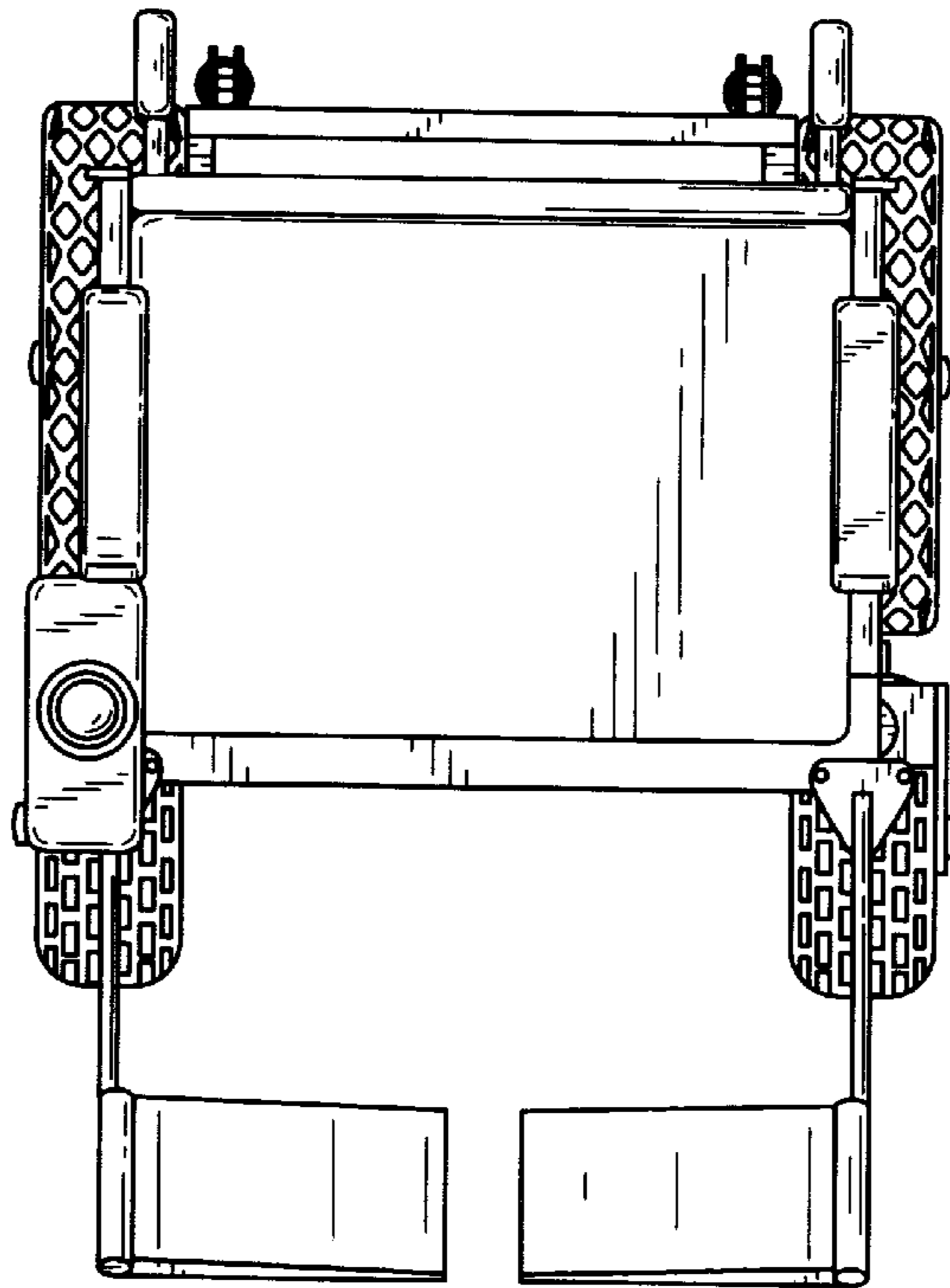


FIG. 6

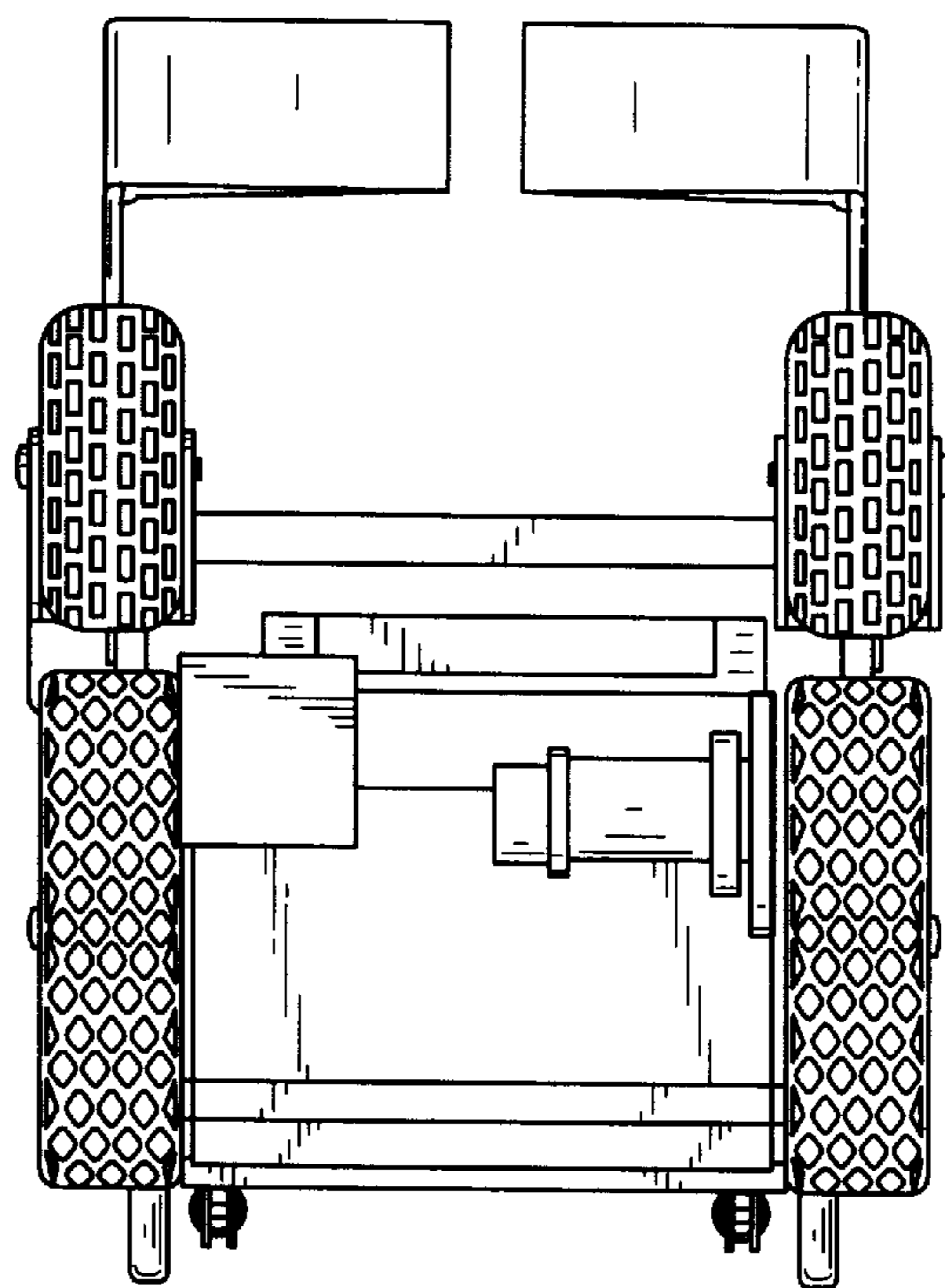


FIG. 7