



US00D443562S

(12) **United States Design Patent**  
**Okada**

(10) **Patent No.:** **US D443,562 S**

(45) **Date of Patent:** **\*\* Jun. 12, 2001**

(54) **BICYCLE DISPLAY WITH MOUNTING ASSEMBLY**

(75) Inventor: **Shigekatsu Okada**, Sakai (JP)

(73) Assignee: **Shimano Inc.**, Osaka (JP)

(\*\*) Term: **14 Years**

(21) Appl. No.: **29/119,306**

(22) Filed: **Feb. 29, 2000**

(51) **LOC (7) Cl.** ..... **12-11**

(52) **U.S. Cl.** ..... **D12/114**

(58) **Field of Search** ..... D12/114, 111;  
280/288.4, 304.1, 304.3; 296/78.1; 74/489,  
502.2, 473.13

(56) **References Cited**

**U.S. PATENT DOCUMENTS**

D. 273,775	*	5/1984	Aker et al.	.....	D12/114
D. 334,722	*	4/1993	Katz	.....	D12/114 X
D. 334,897	*	4/1993	Katz	.....	D12/114 X
D. 345,534	*	3/1994	Abboud et al.	.....	D12/114
D. 353,986	*	1/1995	Maylisa	.....	D12/114 X
D. 375,929	*	11/1996	Lujack et al.	.....	D12/197
3,524,979		8/1970	Cohen	.....	240/2
3,633,437		1/1972	Ishida	.....	74/489
5,052,241		10/1991	Nagano	.....	74/502.2
5,370,412		12/1994	Chou	.....	280/288.4
5,881,936	*	3/1999	Li	.....	280/288.4
5,903,214		5/1999	Watarai	.....	340/432
5,921,139		7/1999	Yamane	.....	74/473.13

**FOREIGN PATENT DOCUMENTS**

0552775	7/1993	(EP) .
0629860	12/1994	(EP) .
0615896	7/1996	(EP) .
216065	7/1986	(GB) .

\* cited by examiner

*Primary Examiner*—Melody N. Brown  
(74) *Attorney, Agent, or Firm*—Shinju Global IP Counselors, LLP

(57) **CLAIM**

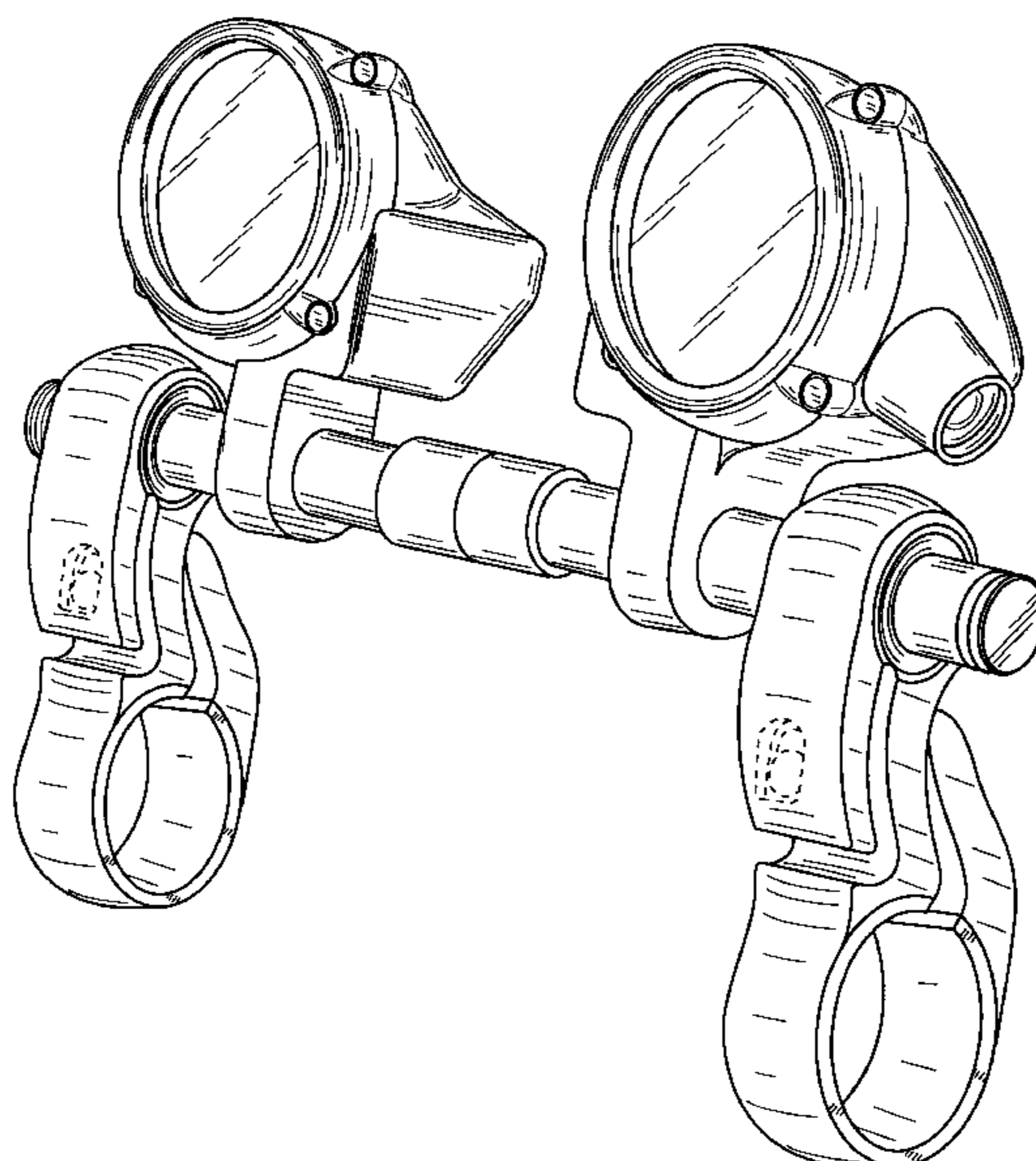
The ornamental design for a bicycle display with a mounting assembly, as shown and described.

**DESCRIPTION**

FIG. 1 is a front perspective view of a bicycle display with a mounting assembly in accordance with my new design; FIG. 2 is a front elevational view of the bicycle display with the mounting assembly illustrated in FIG. 1; FIG. 3 is a rear elevational view of the bicycle display with the mounting assembly illustrated in FIGS. 1 and 2; FIG. 4 is a left side elevational view of the bicycle display with the mounting assembly illustrated in FIGS. 1-3; FIG. 5 is a right side elevational view of the bicycle display with the mounting assembly illustrated in FIGS. 1-4; FIG. 6 is a top plan view of the bicycle display with the mounting assembly illustrated in FIGS. 1-5; FIG. 7 is a bottom plan view of the bicycle display with the mounting assembly illustrated in FIGS. 1-6; FIG. 8 is a left inside elevational view of the right bicycle display and mounting unit illustrated in FIGS. 1-7, after being separated from the left bicycle display and mounting unit; FIG. 9 is a right inside elevational view of the left bicycle display and mounting unit illustrated in FIGS. 1-7; and, FIG. 10 is a front elevational view of the bicycle display with a mounting assembly illustrated in FIGS. 1-7, with the right bicycle display and mounting unit being separated from the left bicycle display and mounting unit.

The broken lines shown in FIGS. 1-5 and 8-10 are for illustrative purposes only and form no part of the claimed design.

**1 Claim, 9 Drawing Sheets**



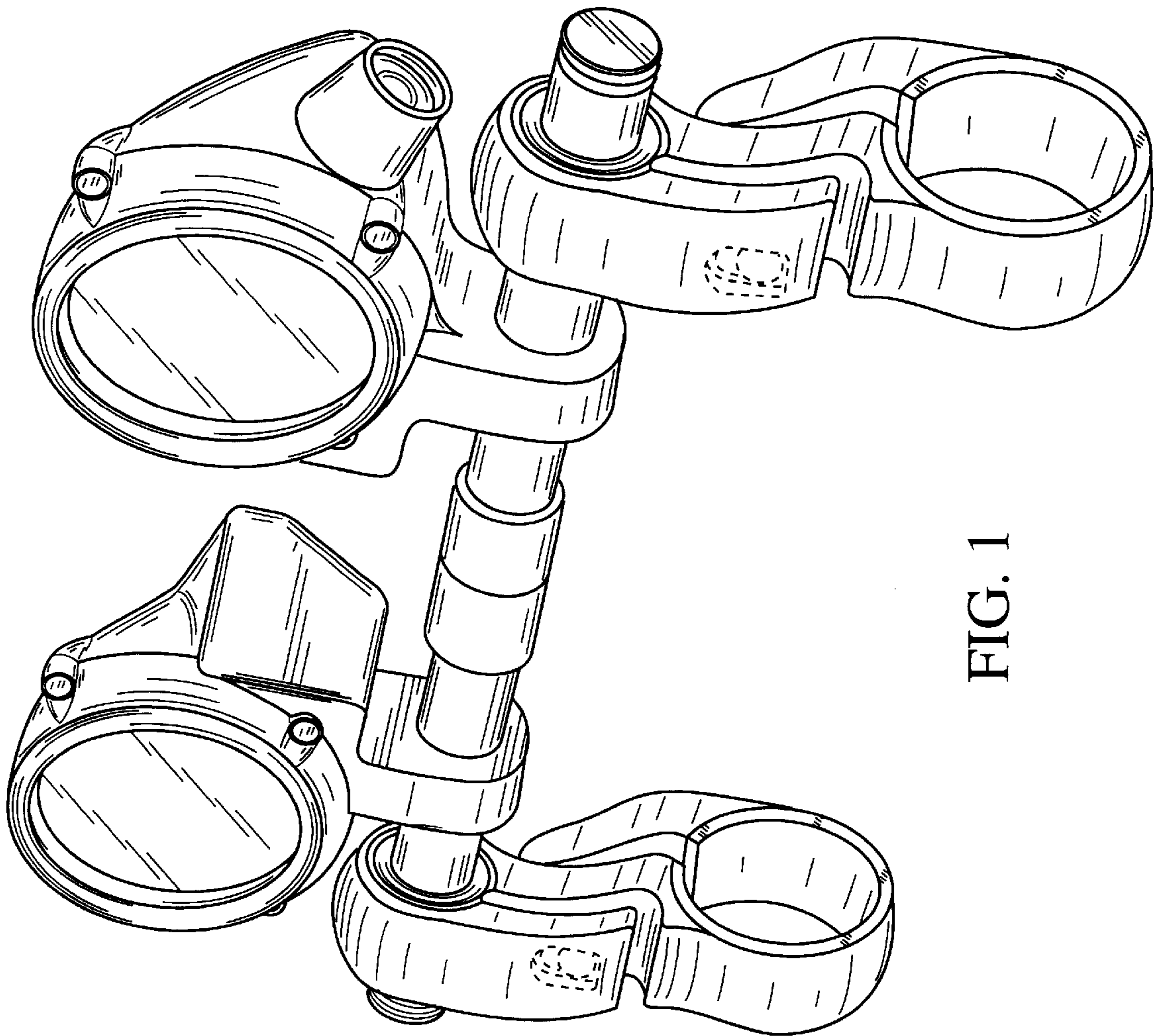


FIG. 1

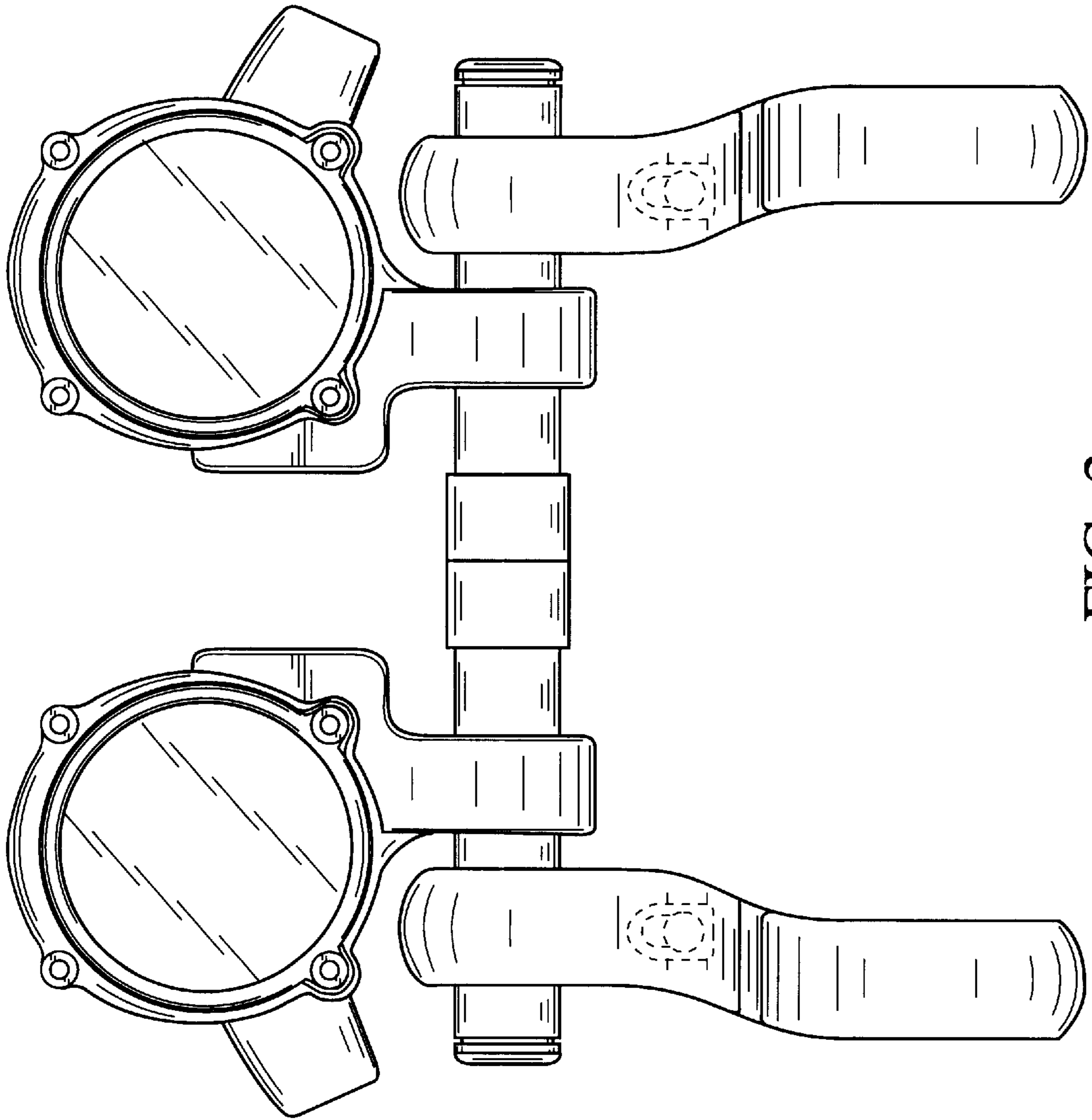


FIG. 2

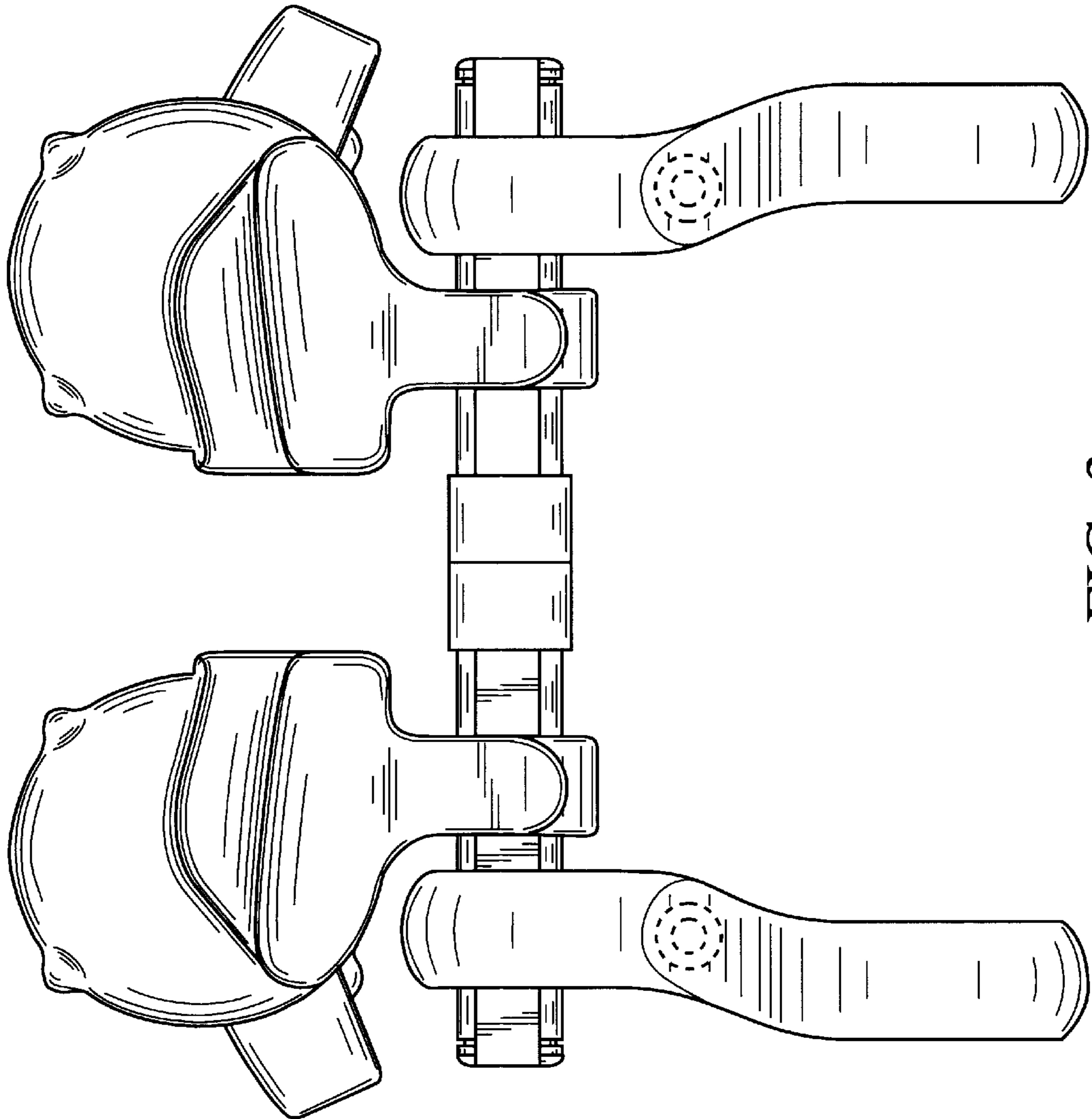


FIG. 3



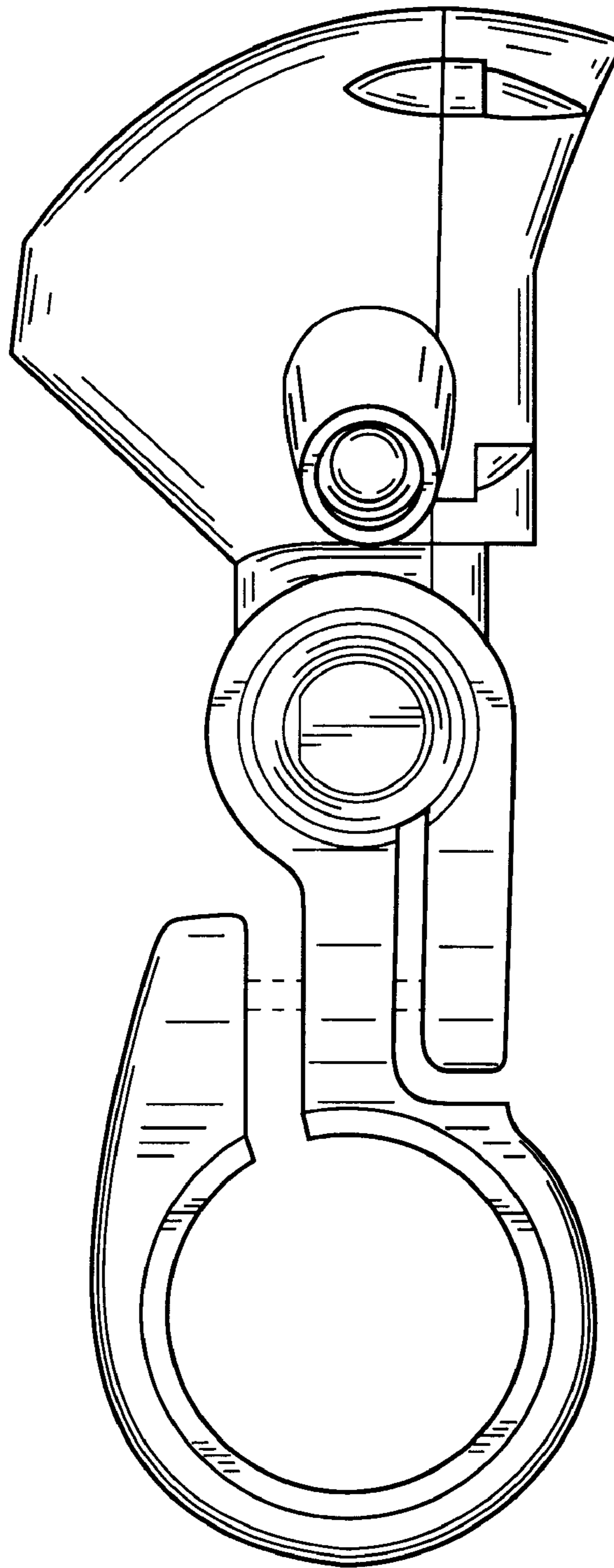


FIG. 4

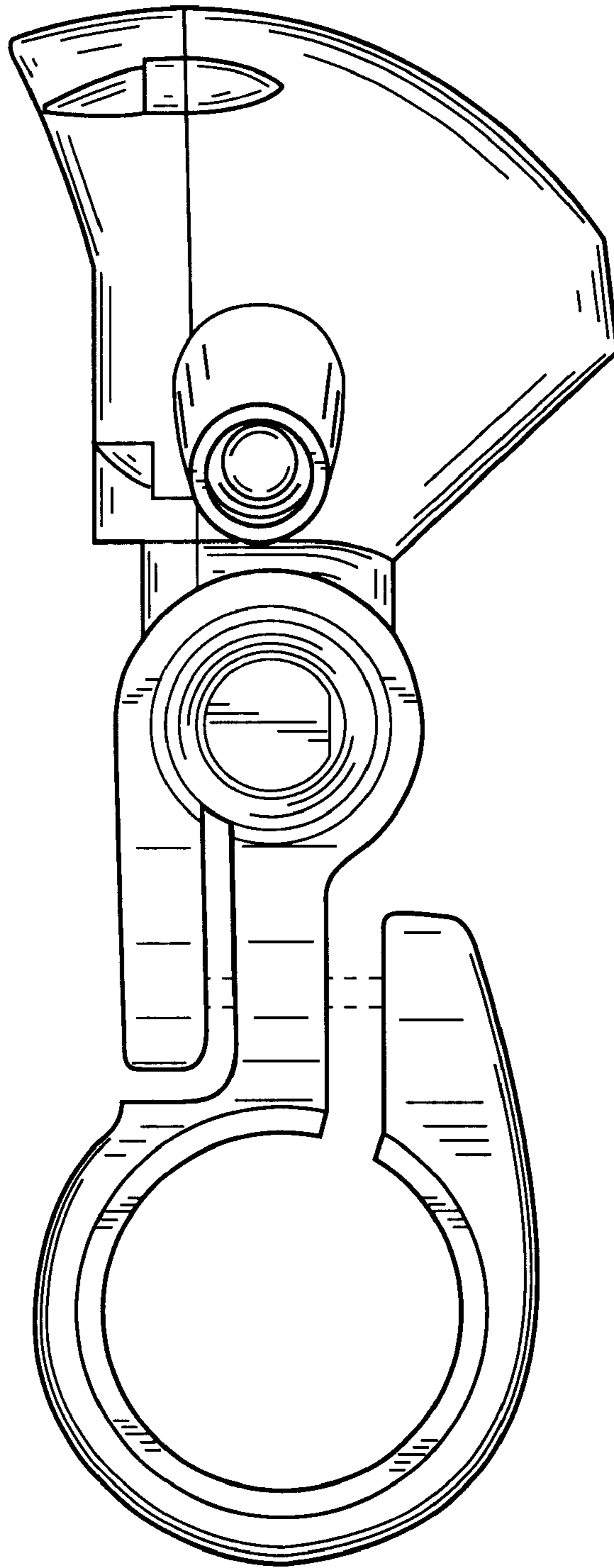


FIG. 5

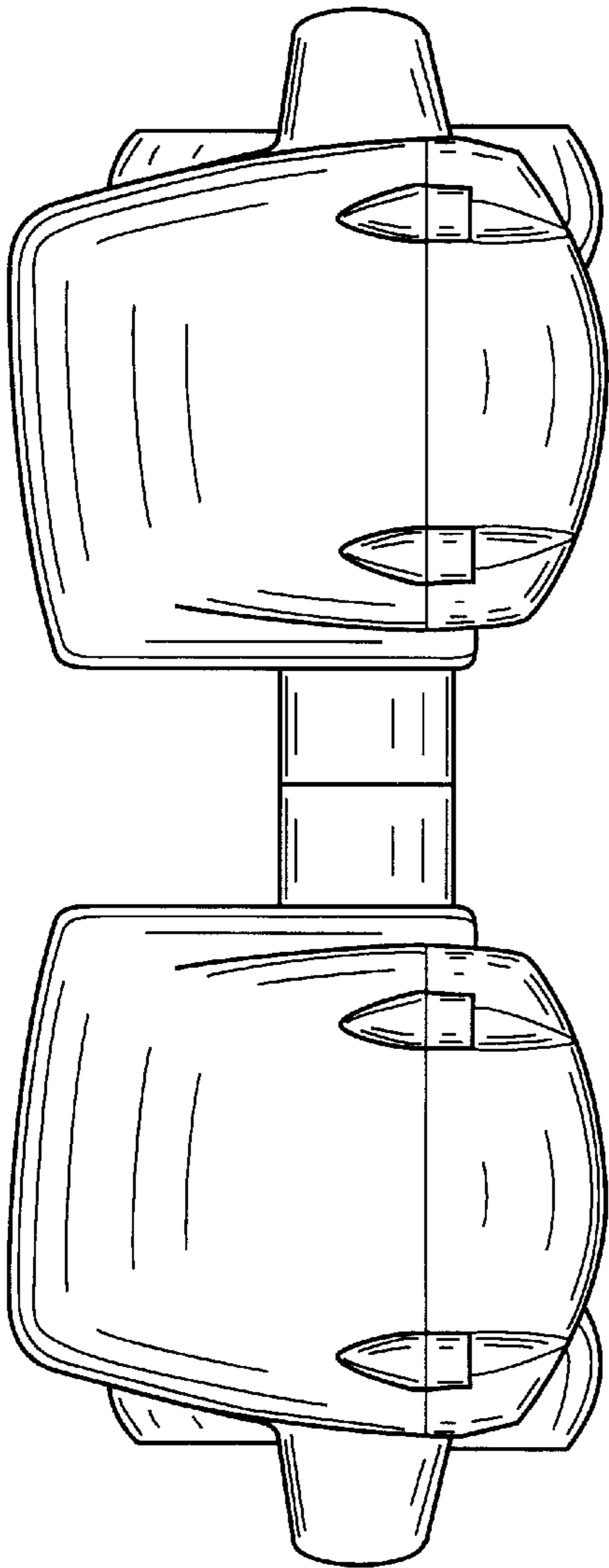


FIG. 6

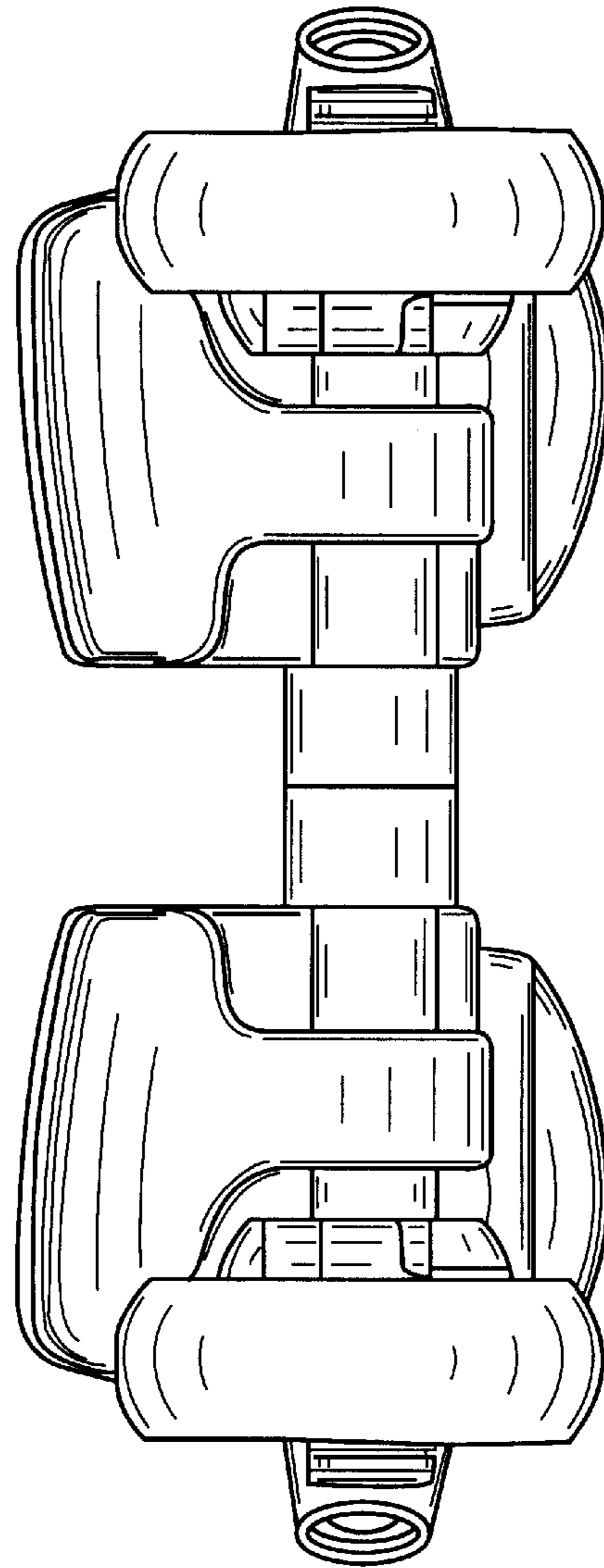


FIG. 7

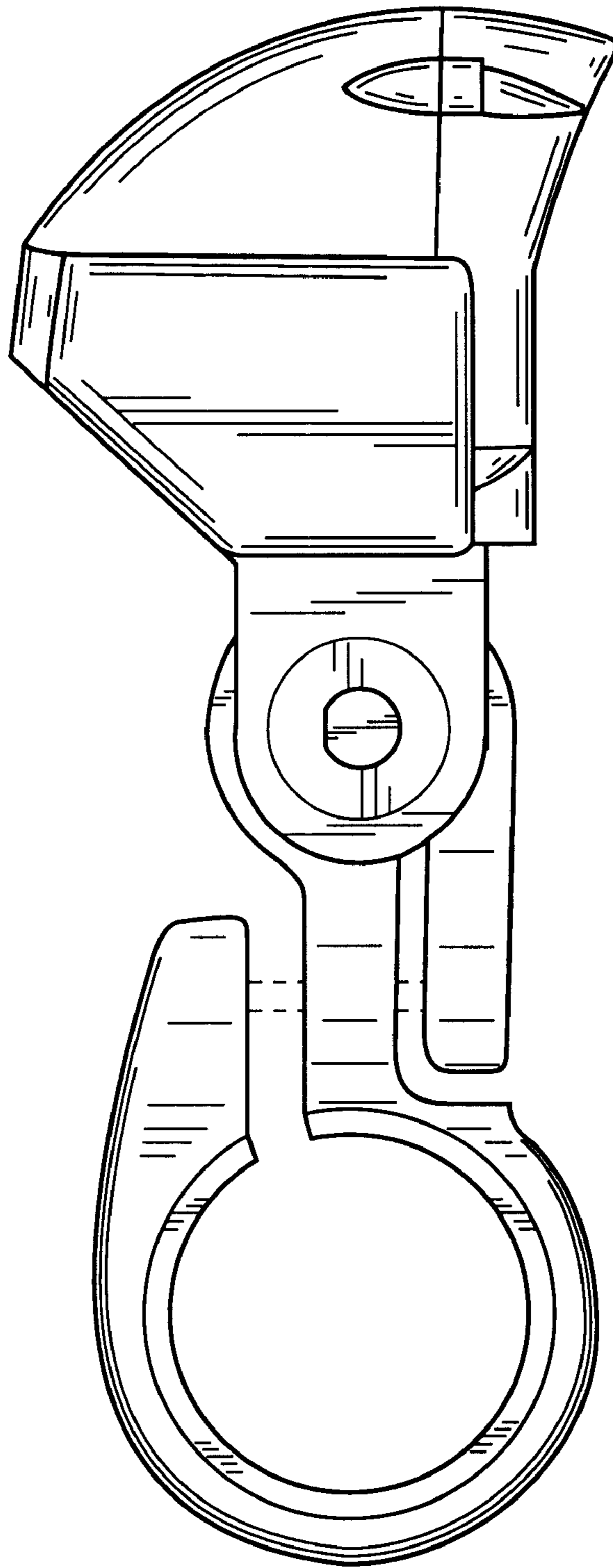


FIG. 8



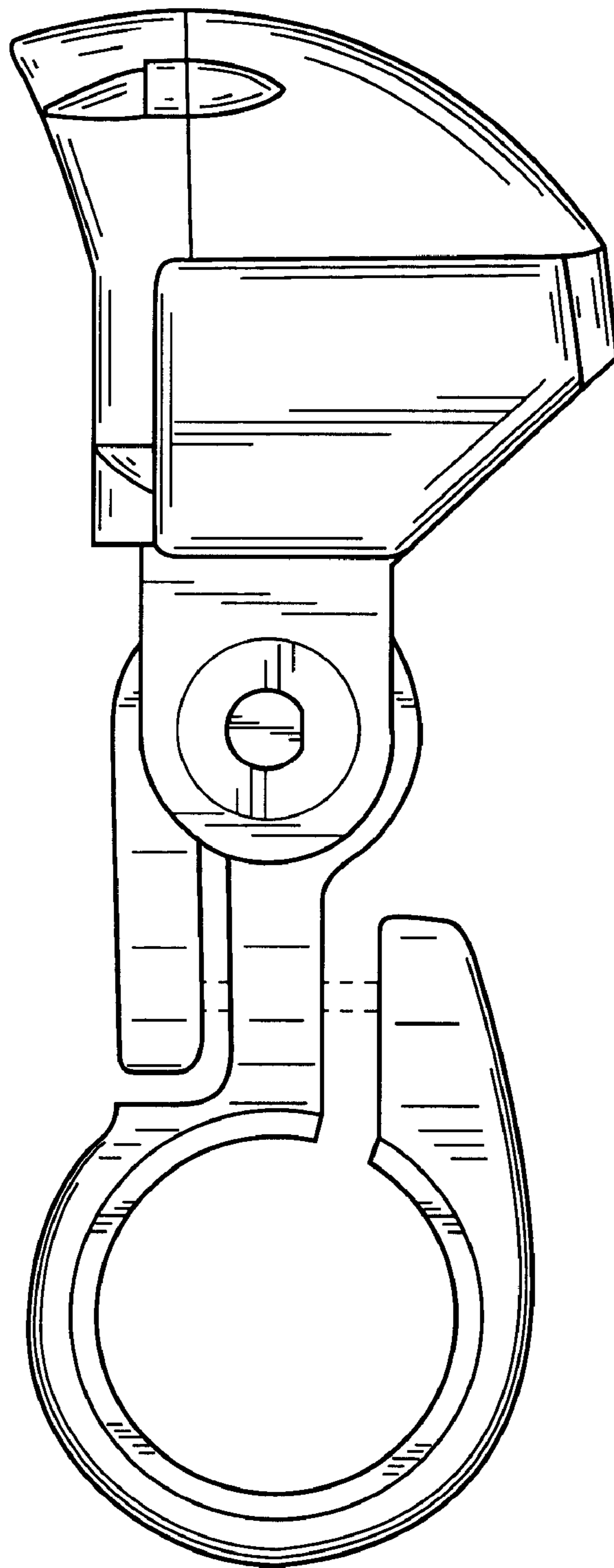


FIG. 9

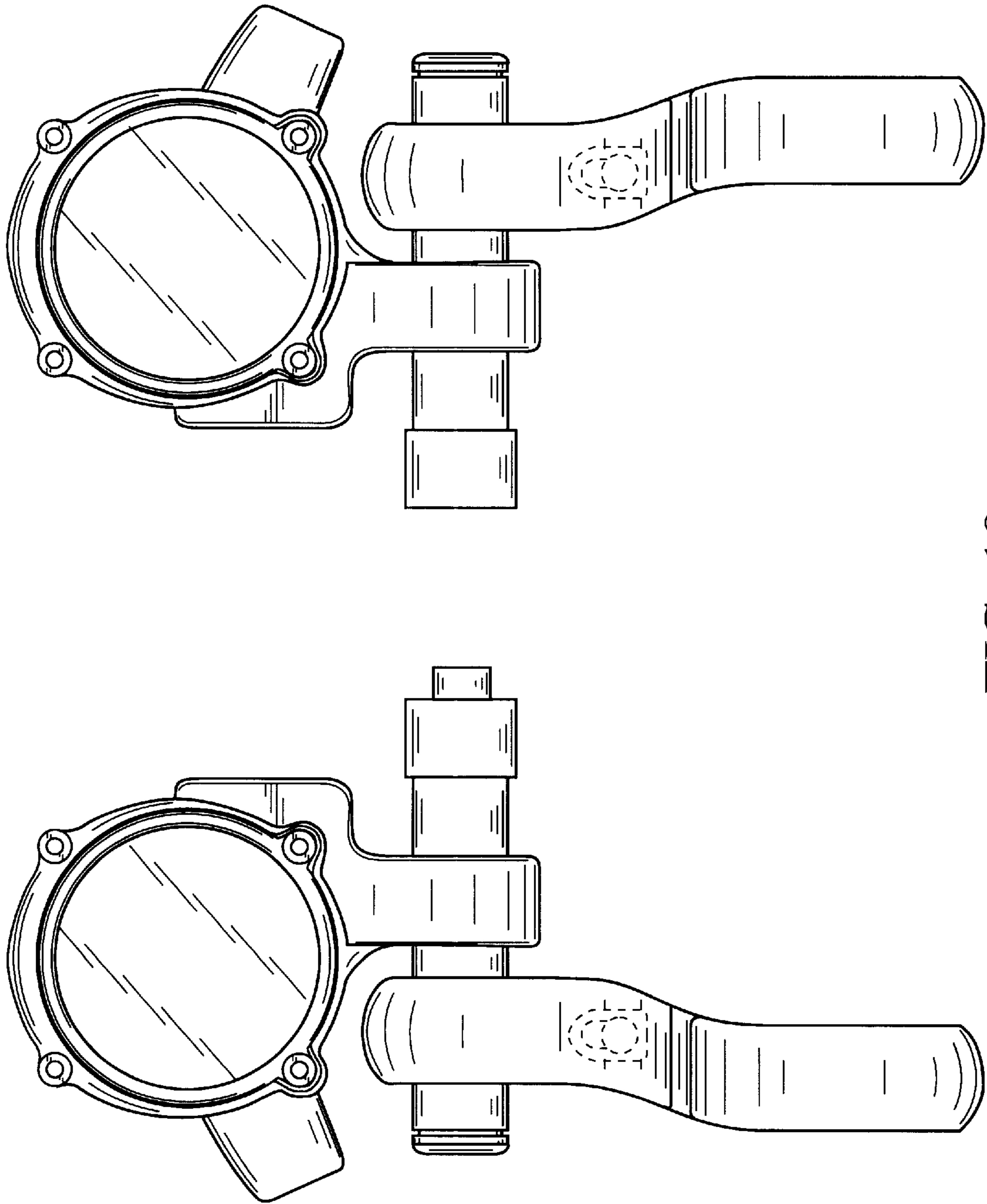


FIG. 10