



US00D443560S

(12) **United States Design Patent**
McCafferty et al.

(10) **Patent No.:** **US D443,560 S**

(45) **Date of Patent:** **** Jun. 12, 2001**

(54) **ROADWAY TRAILER FOR COILED TUBING REEL**

Primary Examiner—Melody N. Brown

(75) Inventors: **Terry L. McCafferty**, Sugar Land;
Joseph K. Flowers, Houston, both of
TX (US); **Matthew E. Wilson**, Eureka,
KS (US)

(74) *Attorney, Agent, or Firm*—Robin C. Nava; Maryam
Bani-Jamali

(73) Assignee: **Schlumberger Technology
Corporation**, Sugar Land, TX (US)

(57) **CLAIM**

The ornamental design for a roadway trailer for a coiled tubing reel, as shown and described.

(**) Term: **14 Years**

DESCRIPTION

(21) Appl. No.: **29/115,061**

FIG. 1 is a left side elevational view of a roadway trailer for a coiled tubing reel showing our new design, the broken lines are shown for illustrative purposes only and form no part of the claimed design;

(22) Filed: **Dec. 7, 1999**

FIG. 2 is a side elevational view of the right side of the roadway trailer shown in FIG. 1;

(51) **LOC (7) Cl.** **12-10**

(52) **U.S. Cl.** **D12/101**

(58) **Field of Search** D12/101; 280/43.18,
280/43.23, 788, 789; 414/474, 476, 484,
485, 482, 494

FIG. 3 is a top plan view of the roadway trailer shown in FIGS. 1 and 2;

(56) **References Cited**

U.S. PATENT DOCUMENTS

D. 288,912	*	3/1987	Lucas	D12/101
D. 312,990	*	12/1990	Gerdes	D12/101
D. 409,952	*	5/1999	Crathorne et al.	D12/101
5,887,880	*	3/1999	Mullican et al.	280/43.18

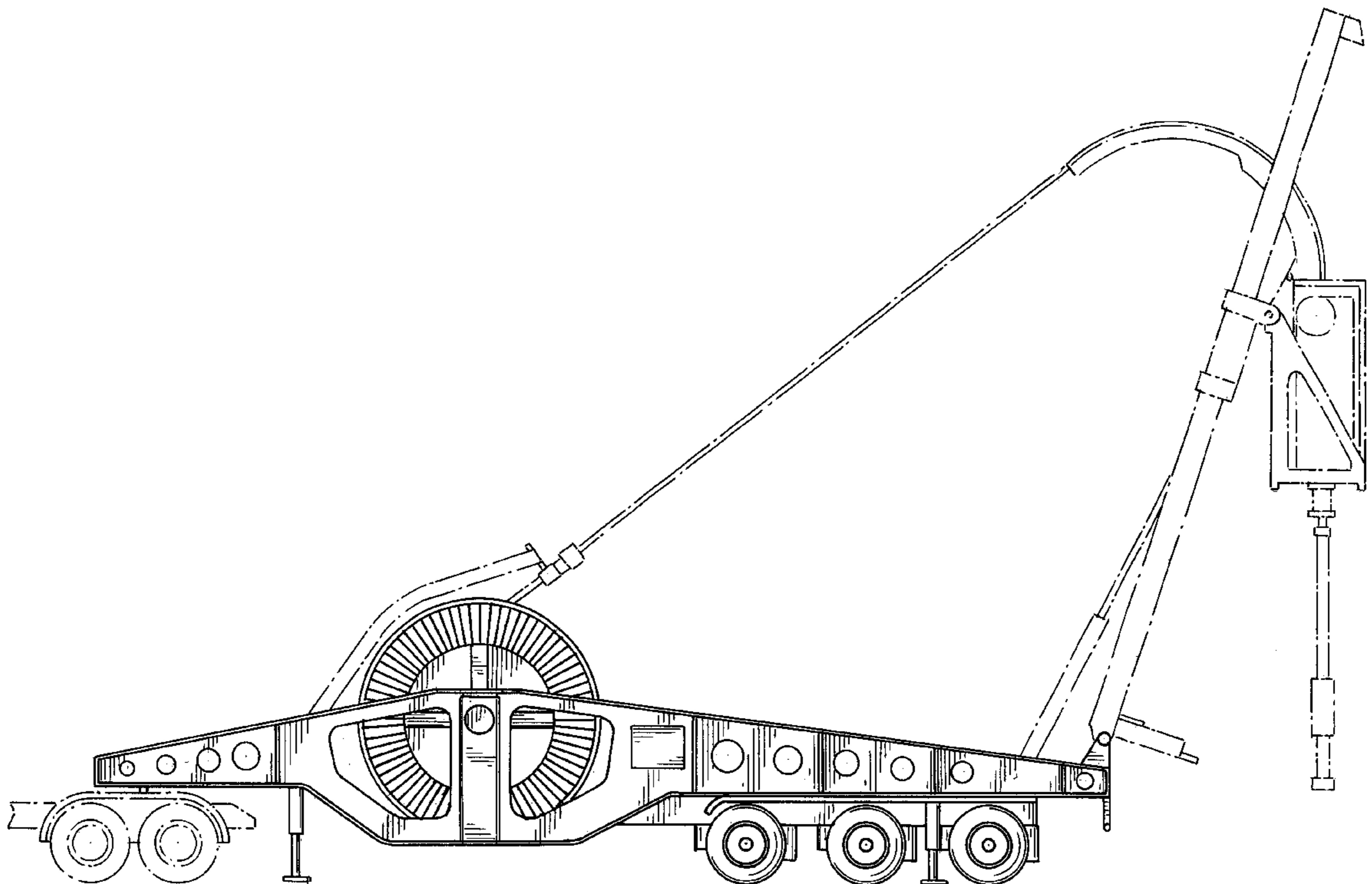
FIG. 4 is a front elevational view of the roadway trailer shown in FIGS. 1-3; and,

FIG. 5 is a rear elevational view of the roadway trailer shown in FIGS. 1-4.

The size, shape, and position of the openings shown in the drawings are not essential to the invention.

* cited by examiner

1 Claim, 4 Drawing Sheets



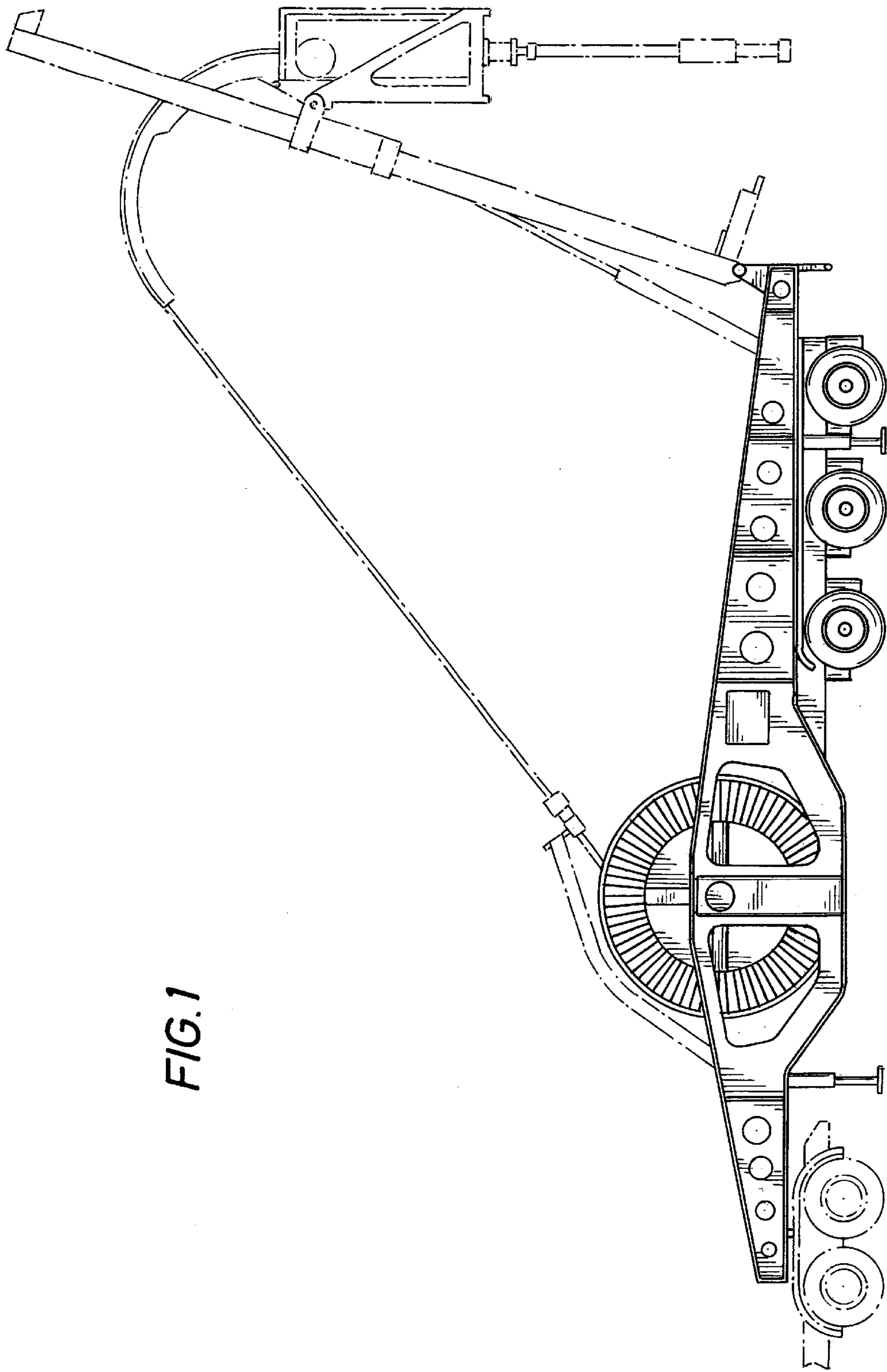


FIG. 1

FIG. 2

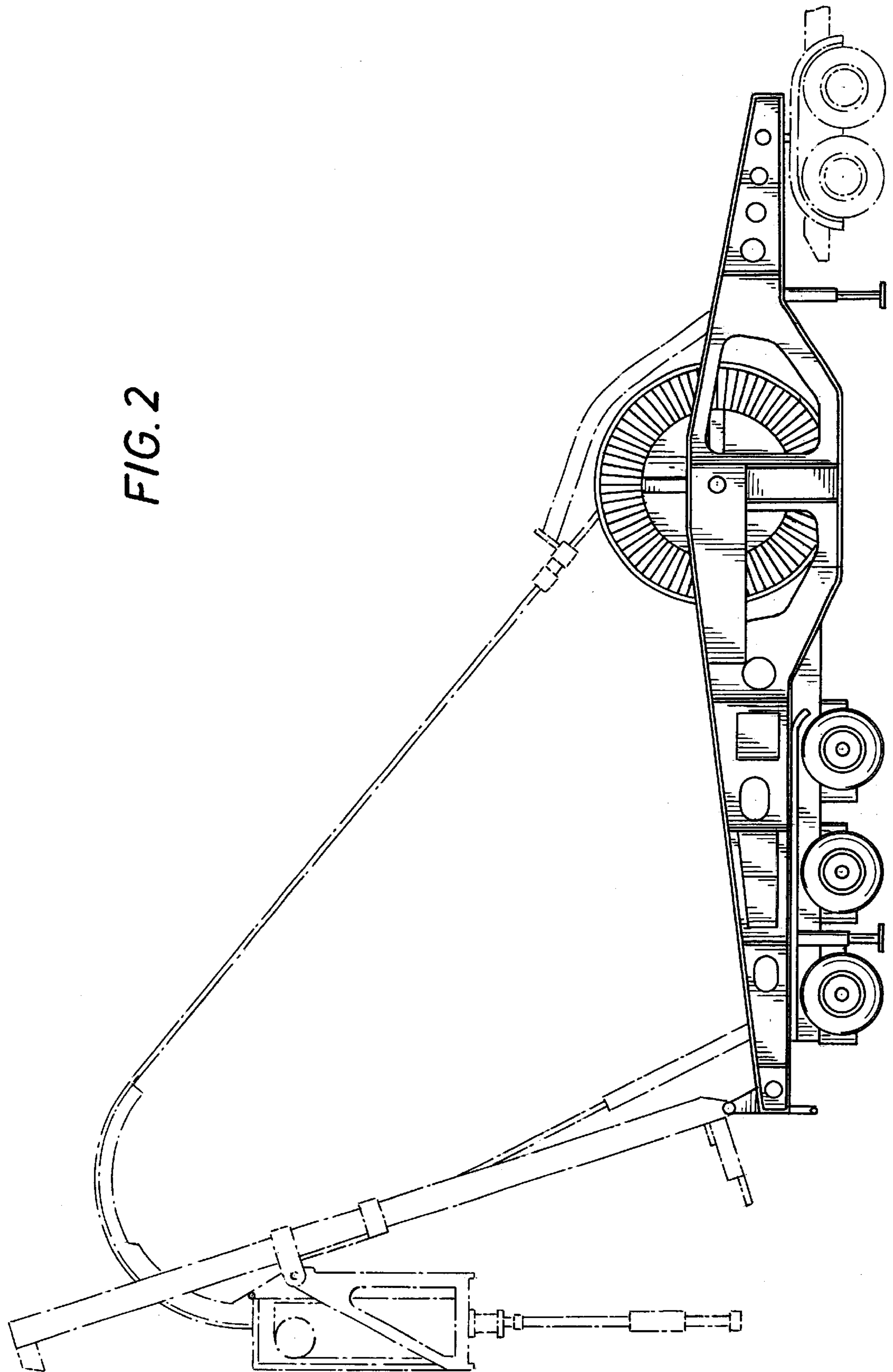


FIG. 3

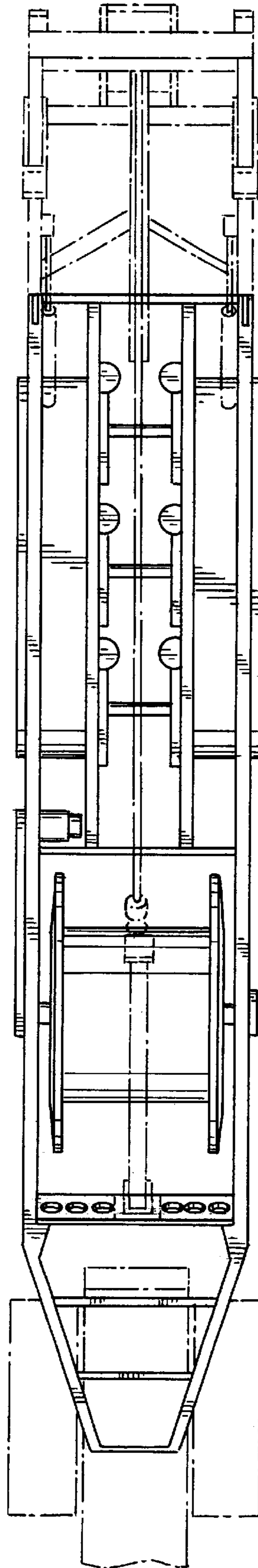


FIG. 4

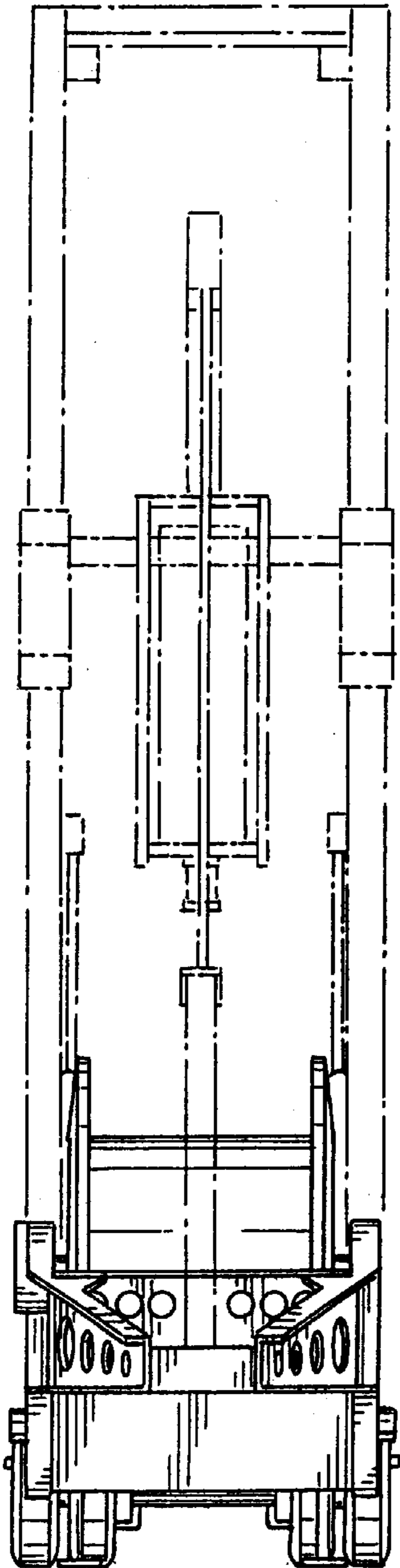


FIG. 5

