



US00D443558S

(12) **United States Design Patent**  
**Kaufman et al.**

(10) **Patent No.:** **US D443,558 S**

(45) **Date of Patent:** **\*\* Jun. 12, 2001**

(54) **PLANTER**

(75) Inventors: **Dennis Ray Kaufman; Annalisa Marie Kaufman**, both of Bend, OR (US)

(73) Assignee: **Log Creations**, Bend, OR (US)

(\*\*) Term: **14 Years**

(21) Appl. No.: **29/128,473**

(22) Filed: **Aug. 24, 2000**

(51) **LOC (7) Cl.** ..... **11-02**

(52) **U.S. Cl.** ..... **D11/149; D6/404**

(58) **Field of Search** ..... D11/148, 149, D11/155, 156; D6/404, 450; D12/129; D21/425; 280/47.38, 47.41; 47/39, 41.01, 44, 73; 206/423; 248/27.8

(56) **References Cited**

**U.S. PATENT DOCUMENTS**

- D. 160,007 \* 9/1950 Parentice ..... D11/149
- D. 168,503 \* 12/1952 Hallas ..... D11/404
- D. 176,220 \* 11/1955 Klingberg ..... D6/404

- D. 285,506 \* 9/1986 Mens ..... D6/404
- D. 285,755 \* 9/1986 Mens ..... D6/404
- D. 286,107 \* 10/1986 Mens ..... D6/404
- D. 321,437 \* 11/1991 Cheng ..... D6/404
- D. 329,993 \* 10/1992 Spicer ..... D11/149

\* cited by examiner

*Primary Examiner*—Doris V. Coles

*Assistant Examiner*—Mimosa De

(74) *Attorney, Agent, or Firm*—Chernoff, Vilhauer, McClung & Stenzel, LLP

(57) **CLAIM**

The ornamental design for a planter, as shown and described.

**DESCRIPTION**

FIG. 1 is a top, left side perspective view of a planter of our new design.

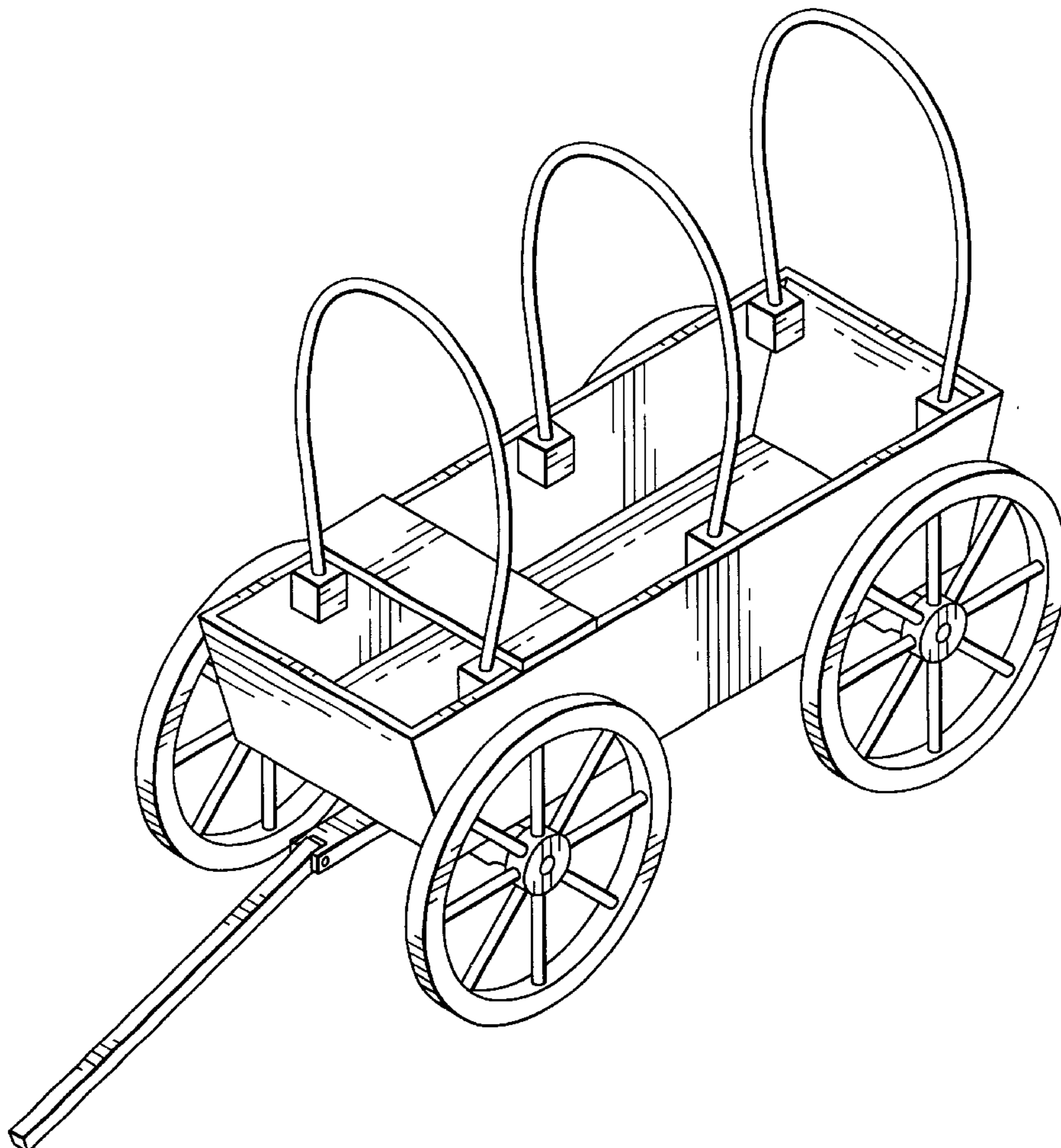
FIG. 2 is a left side elevation view thereof, the right side being the same.

FIG. 3 is a front elevation view thereof.

FIG. 4 is a rear elevation view thereof; and,

FIG. 5 is a top view thereof.

**1 Claim, 2 Drawing Sheets**



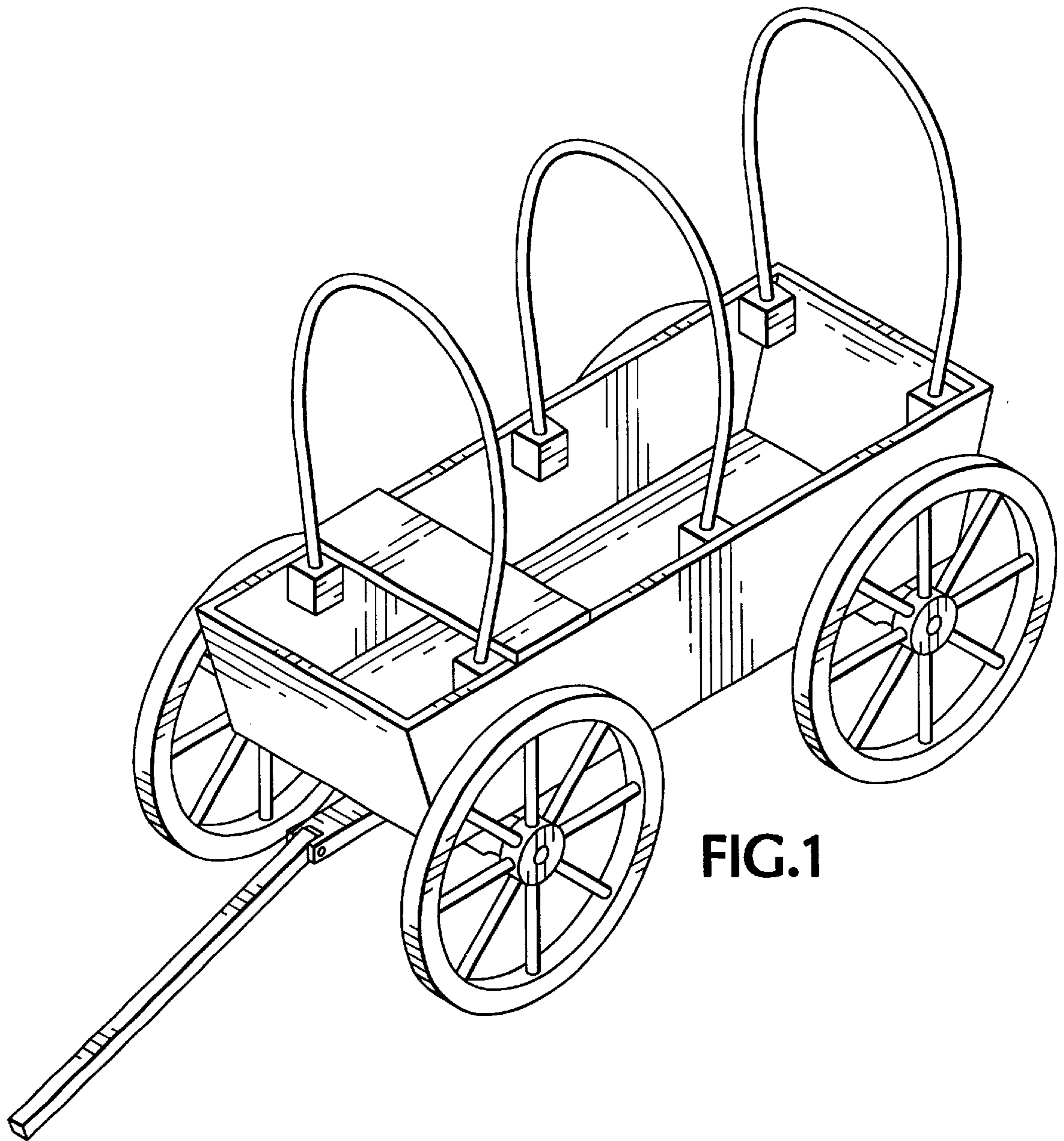


FIG.1

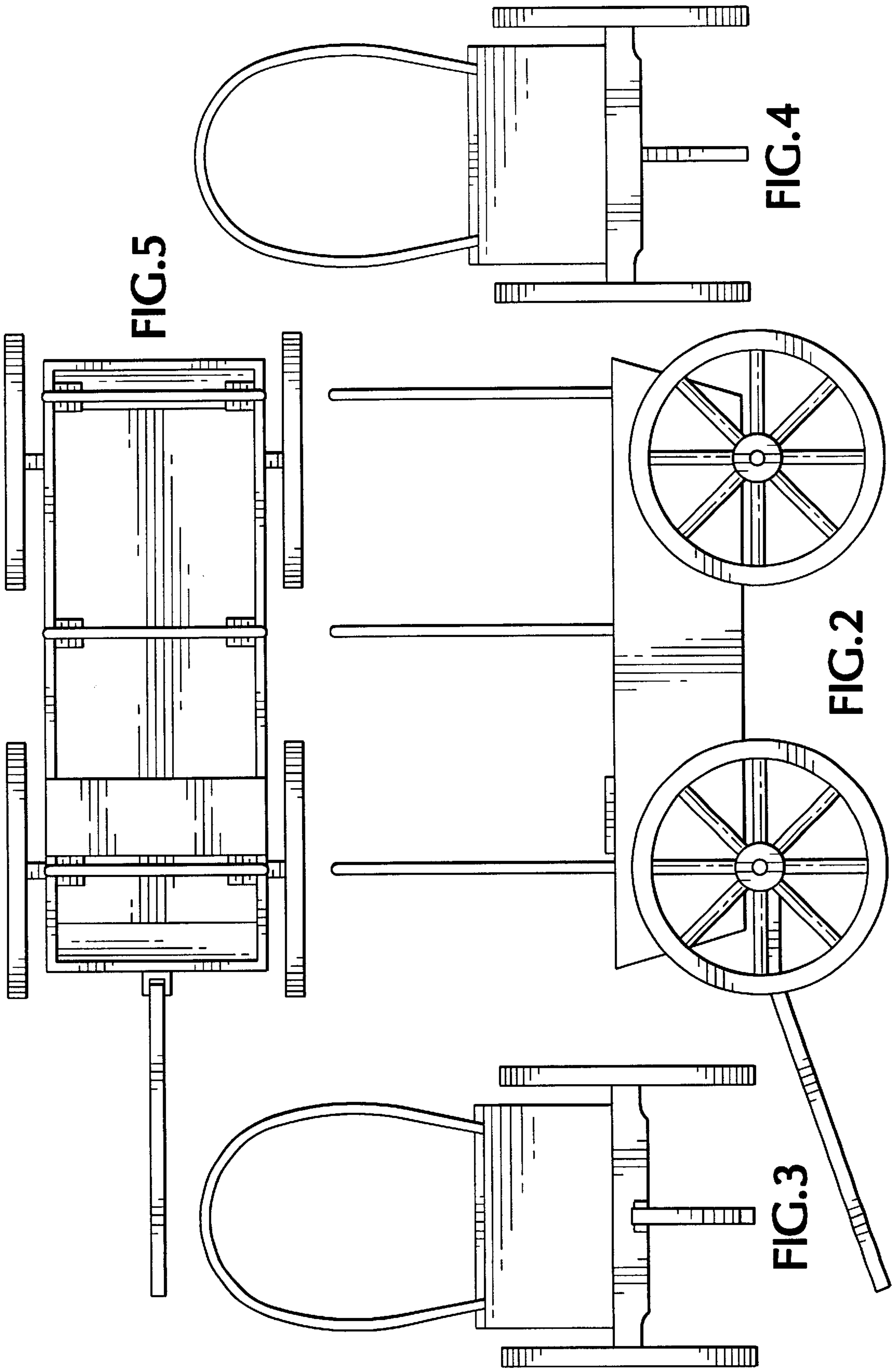


FIG.5

FIG.4

FIG.2

FIG.3