



US00D443555S

(12) **United States Design Patent**
Lai

(10) **Patent No.:** **US D443,555 S**

(45) **Date of Patent:** **** Jun. 12, 2001**

(54) **JEWELRY SETTING**

5,520,017 5/1996 Vivat .
5,848,539 12/1998 Ouzounian .
6,003,335 12/1999 Gurevich et al. .
6,026,660 2/2000 Lai .

(75) Inventor: **Danny S. Lai**, New York, NY (US)

(73) Assignee: **Gramercy Jewelry Manufacturing Corp.**, New York, NY (US)

* cited by examiner

(**) Term: **14 Years**

Primary Examiner—Ralf Seifert
(74) *Attorney, Agent, or Firm*—BakerBotts L.L.P.

(21) Appl. No.: **29/127,556**

(57) **CLAIM**

(22) Filed: **Aug. 7, 2000**

The ornamental design for a jewelry setting, as shown and described.

(51) **LOC (7) Cl.** **11-01**

(52) **U.S. Cl.** **D11/92**

(58) **Field of Search** D11/1, 2, 7, 8,
D11/26, 27, 30, 33, 36, 48, 79, 89-92;
63/26, 27, 28, 29.1

DESCRIPTION

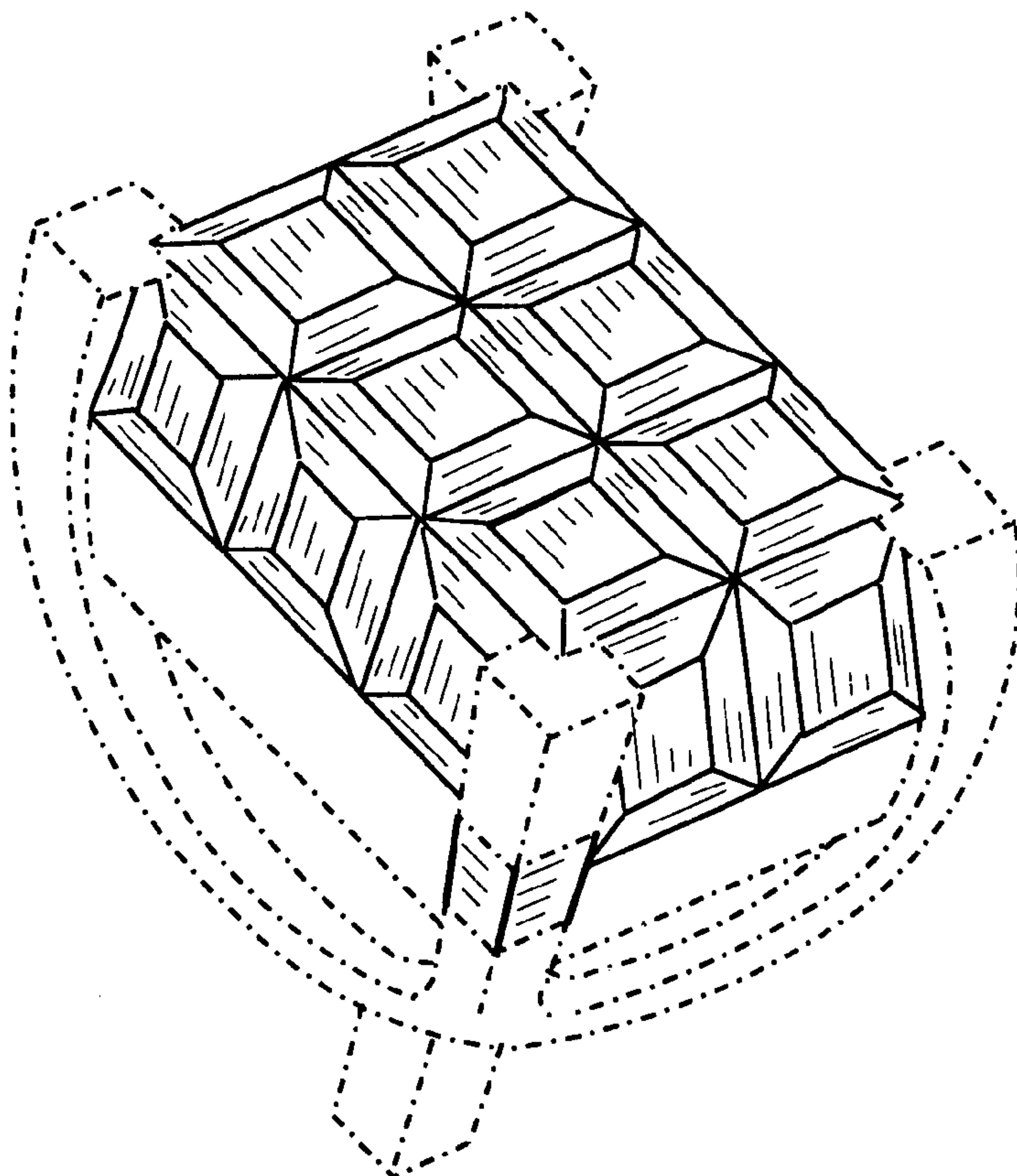
(56) **References Cited**

U.S. PATENT DOCUMENTS

D. 114,649	*	5/1939	Simon	D11/89
D. 379,601	*	6/1997	Itzkowitz	D11/40
D. 391,516	*	3/1998	Kothari	D11/91
D. 403,611		1/2000	Lai	.	
D. 411,134		6/2000	Lai	.	
D. 425,817		5/2000	Gurevich et al.	.	
D. 427,934		6/2000	Lai	.	
2,907,187		10/1959	Karp et al.	.	
5,123,265		6/1992	Ramot	.	
5,377,506		1/1995	Tranzer	.	

FIG. 1 is a perspective view of a jewelry setting showing my new design;
FIG. 2 is a perspective view of a jewelry setting showing a second embodiment of my new design;
FIG. 3 is a perspective view of a jewelry setting showing a third embodiment of my new design;
FIG. 4 is a perspective view of a jewelry setting showing a fourth embodiment of my new design; and,
FIG. 5 is a perspective view of a jewelry setting showing a fifth embodiment of my new design.
The broken line showing of either a jewelry setting is for illustrative purposes only and forms no part of the claimed design.

1 Claim, 5 Drawing Sheets



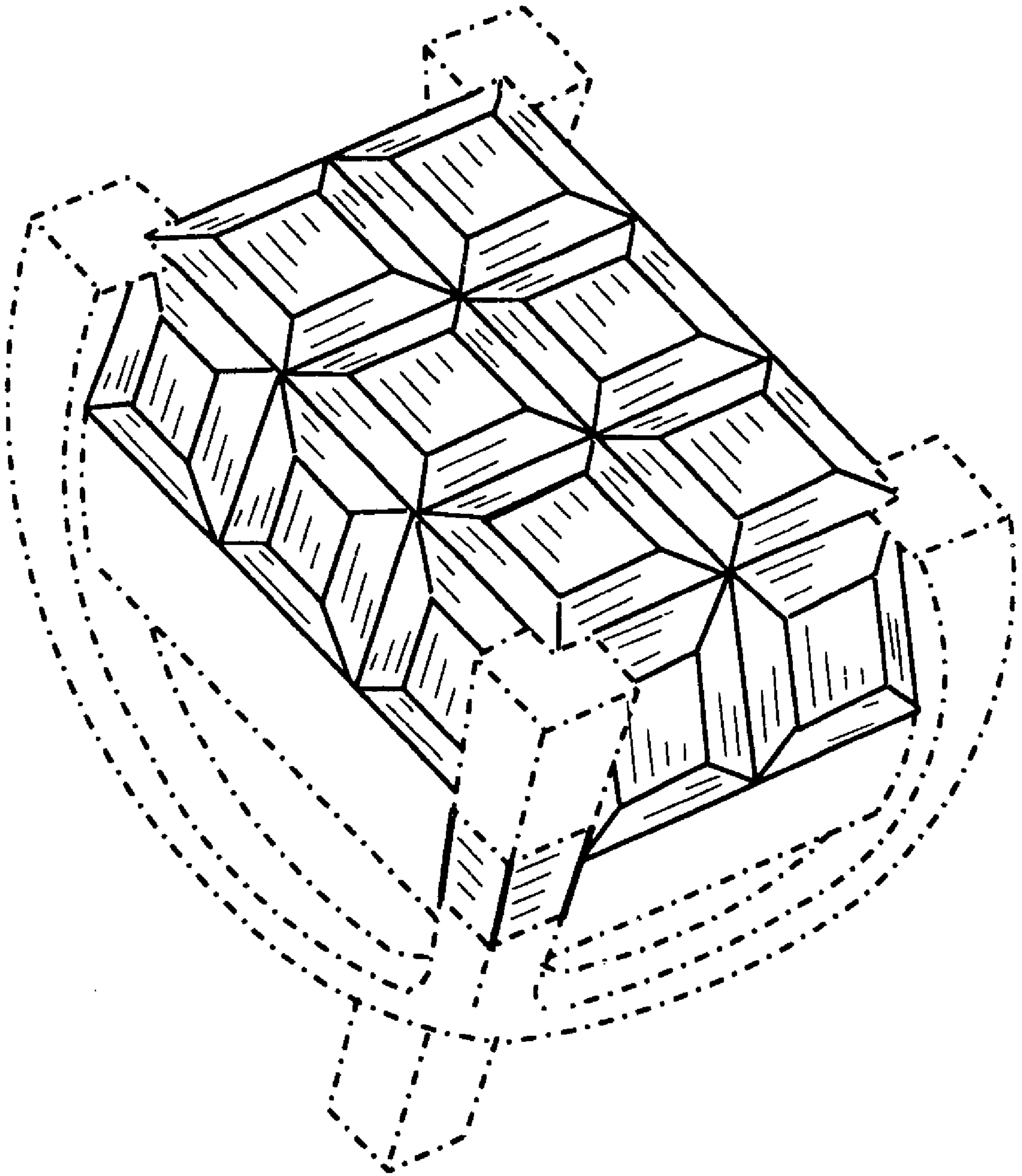


FIG. 1

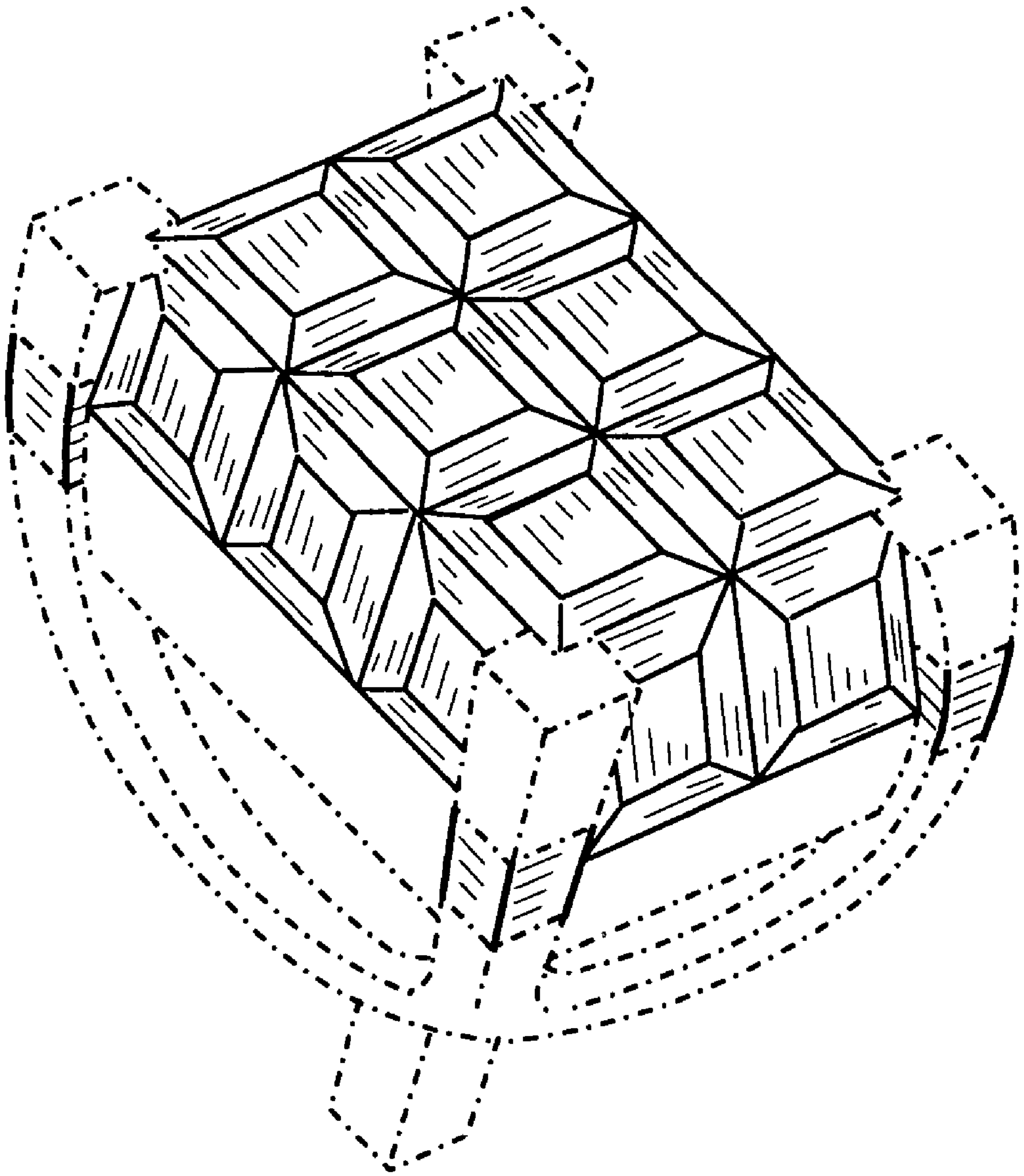


FIG. 2

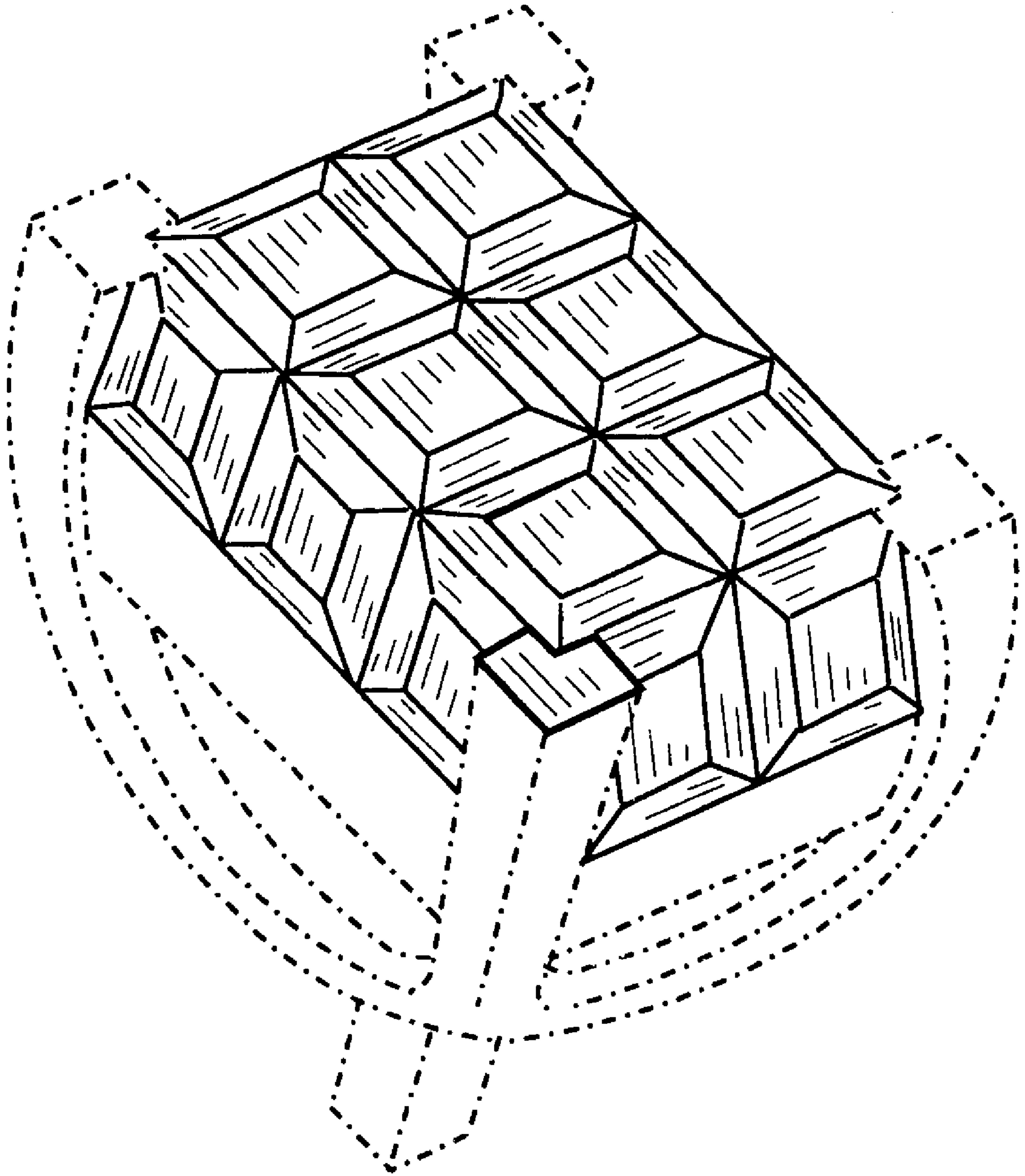


FIG. 3

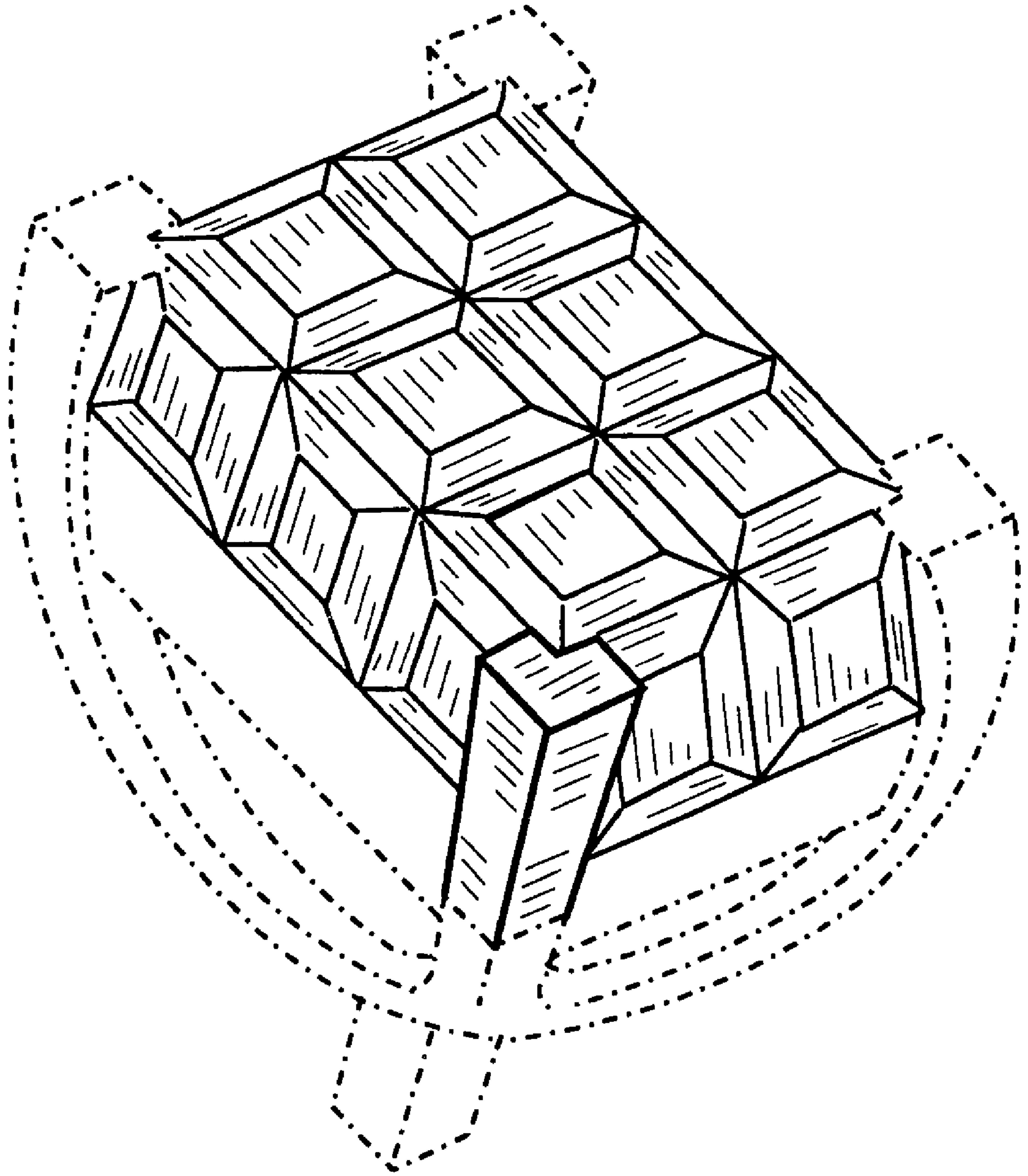


FIG. 4

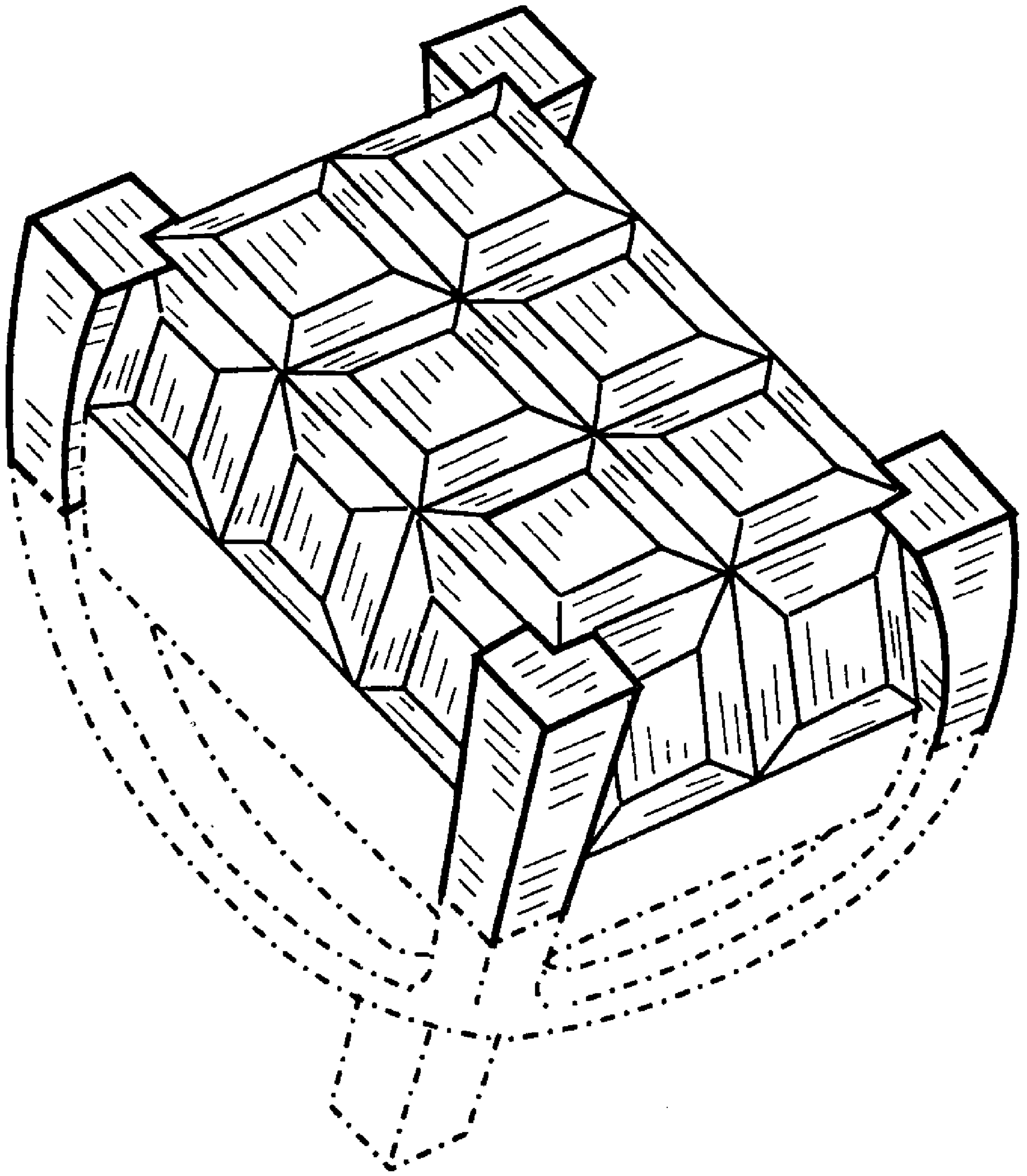


FIG. 5