



US00D443543S

(12) **United States Design Patent**  
**Jost**

(10) **Patent No.:** **US D443,543 S**

(45) **Date of Patent:** **\*\* Jun. 12, 2001**

(54) **COMBINED VEHICLE ALARM TRANSMITTER/PAGER AND KEY RING**

6,028,506 2/2000 Xiao .  
6,028,507 2/2000 Banks et al. .

(76) Inventor: **Theresa M Jost**, 1522 Meade Ave. # C,  
San Diego, CA (US) 92116

\* cited by examiner

*Primary Examiner*—Marcus A. Jackson

(\*\*) Term: **14 Years**

(57) **CLAIM**

(21) Appl. No.: **29/134,750**

The ornamental design for a combined vehicle alarm transmitter/pager and key ring, as shown and described.

(22) Filed: **Dec. 29, 2000**

**DESCRIPTION**

(51) **LOC (7) Cl.** ..... **10-05**

(52) **U.S. Cl.** ..... **D10/106**

(58) **Field of Search** ..... D10/104, 106,  
D10/116, 121; 340/540, 541, 545, 565,  
568, 571, 572, 573, 584

FIG. 1 is a front elevational view of the combined vehicle alarm transmitter/pager and key ring of the present invention;

FIG. 2 is a rear elevational view of the combined vehicle alarm transmitter/pager and key ring of FIG. 1;

FIG. 3 is a left side elevational view of the combined vehicle alarm transmitter/pager and key ring of FIG. 1, the right view being a mirror image thereof;

FIG. 4 is a top plan view of the combined vehicle alarm transmitter/pager and key ring of FIG. 1; and,

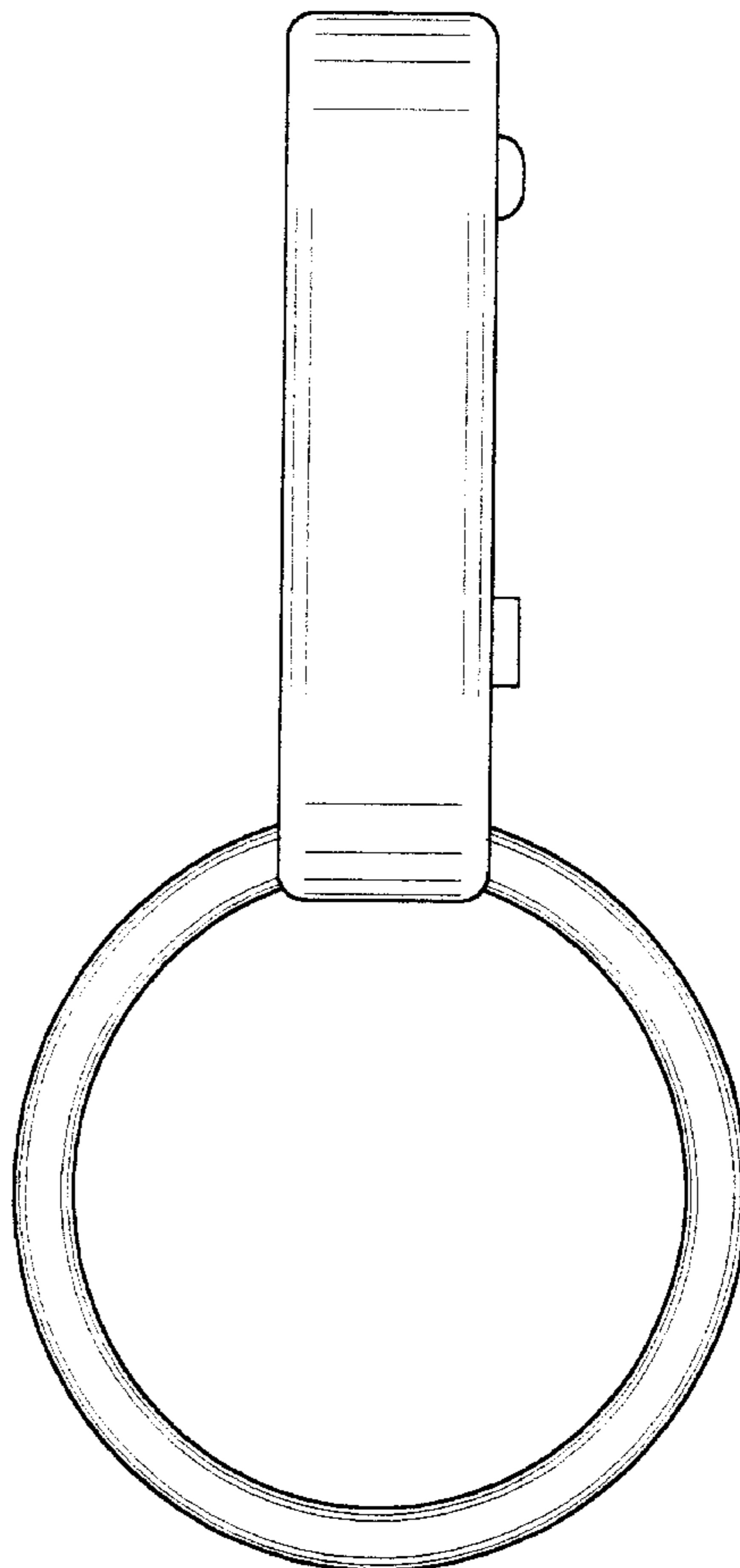
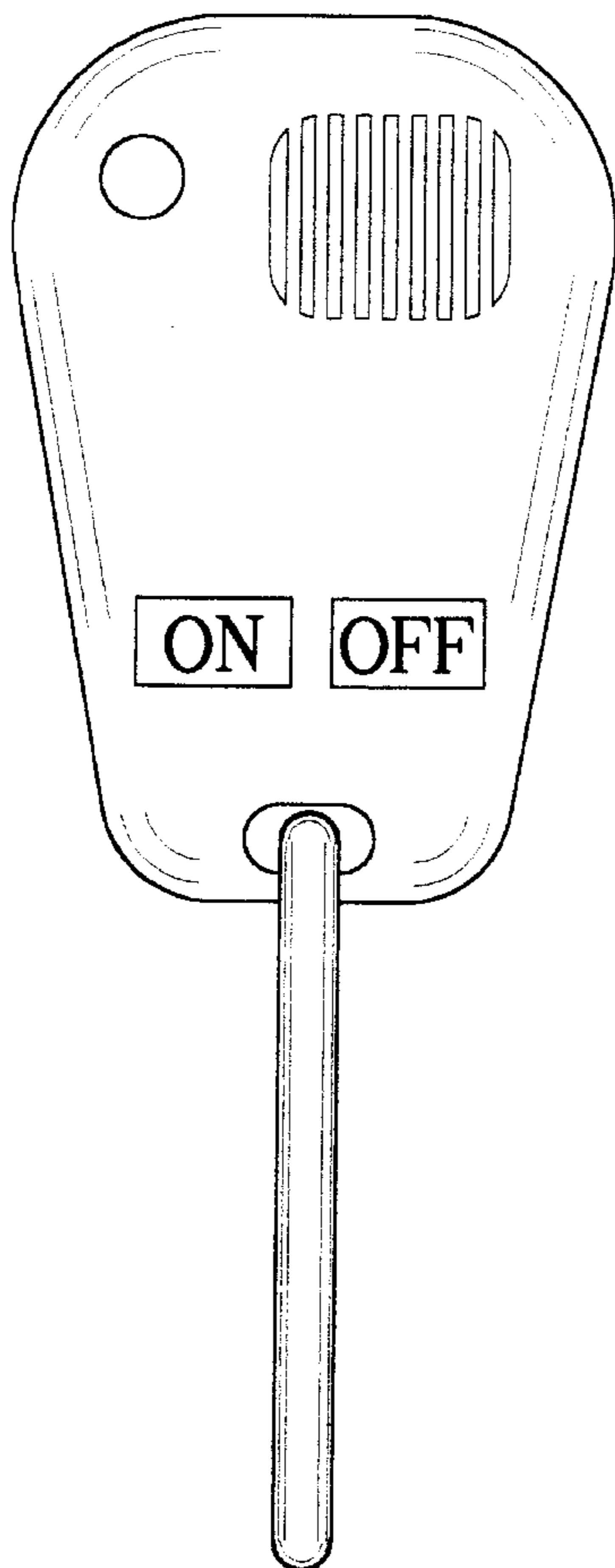
FIG. 5 is a bottom plan view of the combined vehicle alarm transmitter/pager and key ring of FIG. 1.

(56) **References Cited**

**U.S. PATENT DOCUMENTS**

D. 350,494	9/1994	Hwang .	
D. 376,767	* 12/1996	Duran .....	D10/106
D. 394,408	* 5/1998	Davila .....	D10/106
D. 433,645	* 11/2000	Hanson .....	D10/106
4,754,255	6/1988	Sanders et al. .	
5,335,264	8/1994	Namekawa .	
5,739,748	4/1998	Flick .	

**1 Claim, 3 Drawing Sheets**



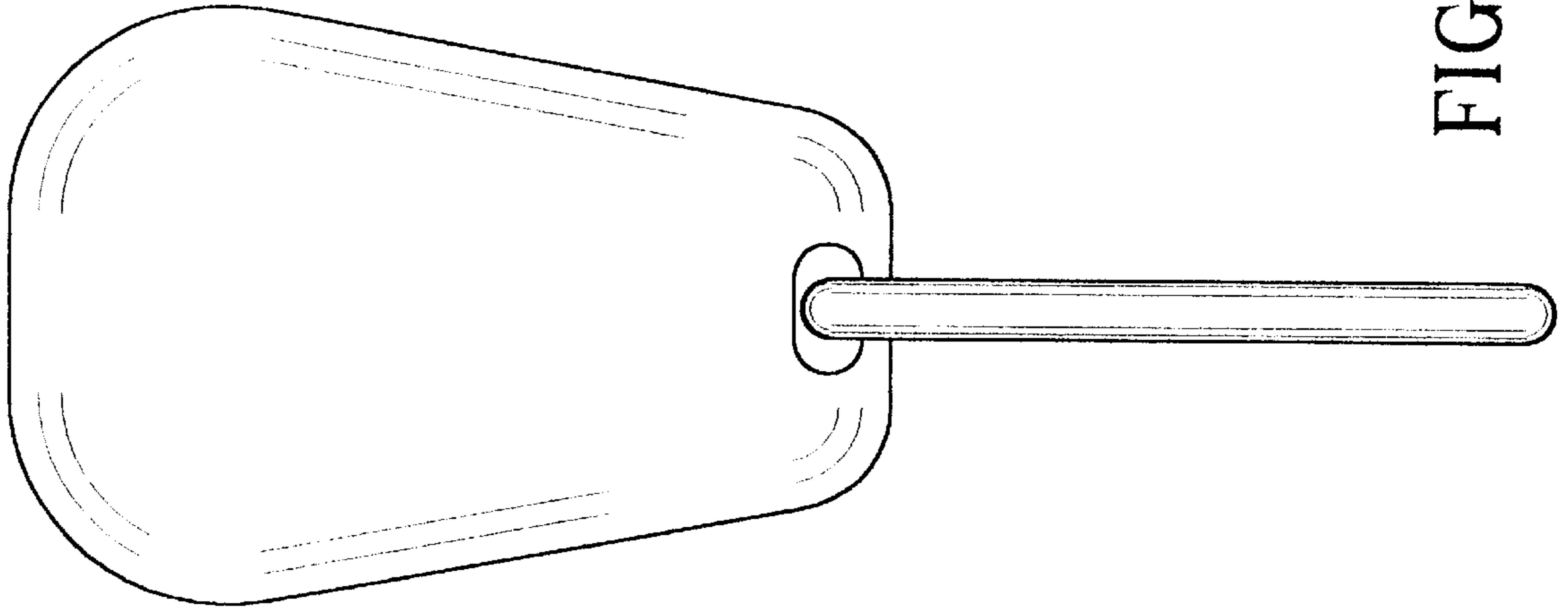


FIG. 2

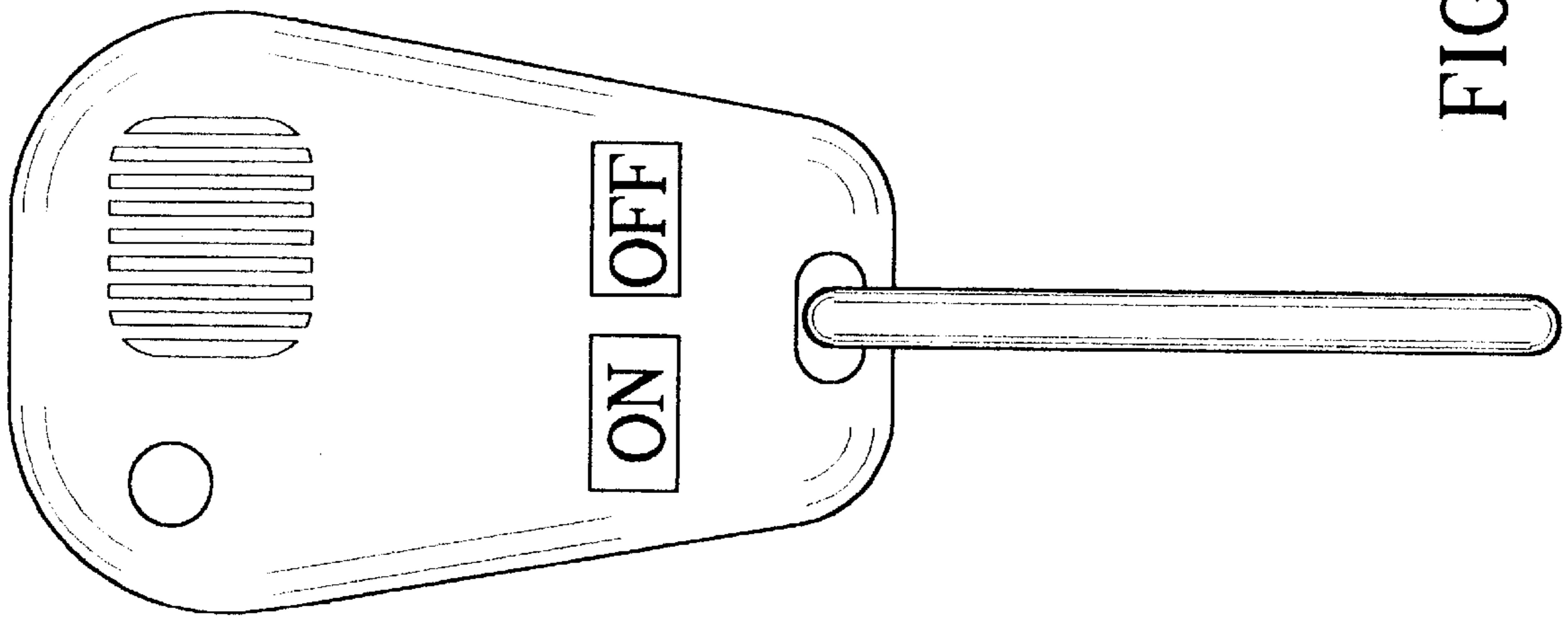


FIG. 1

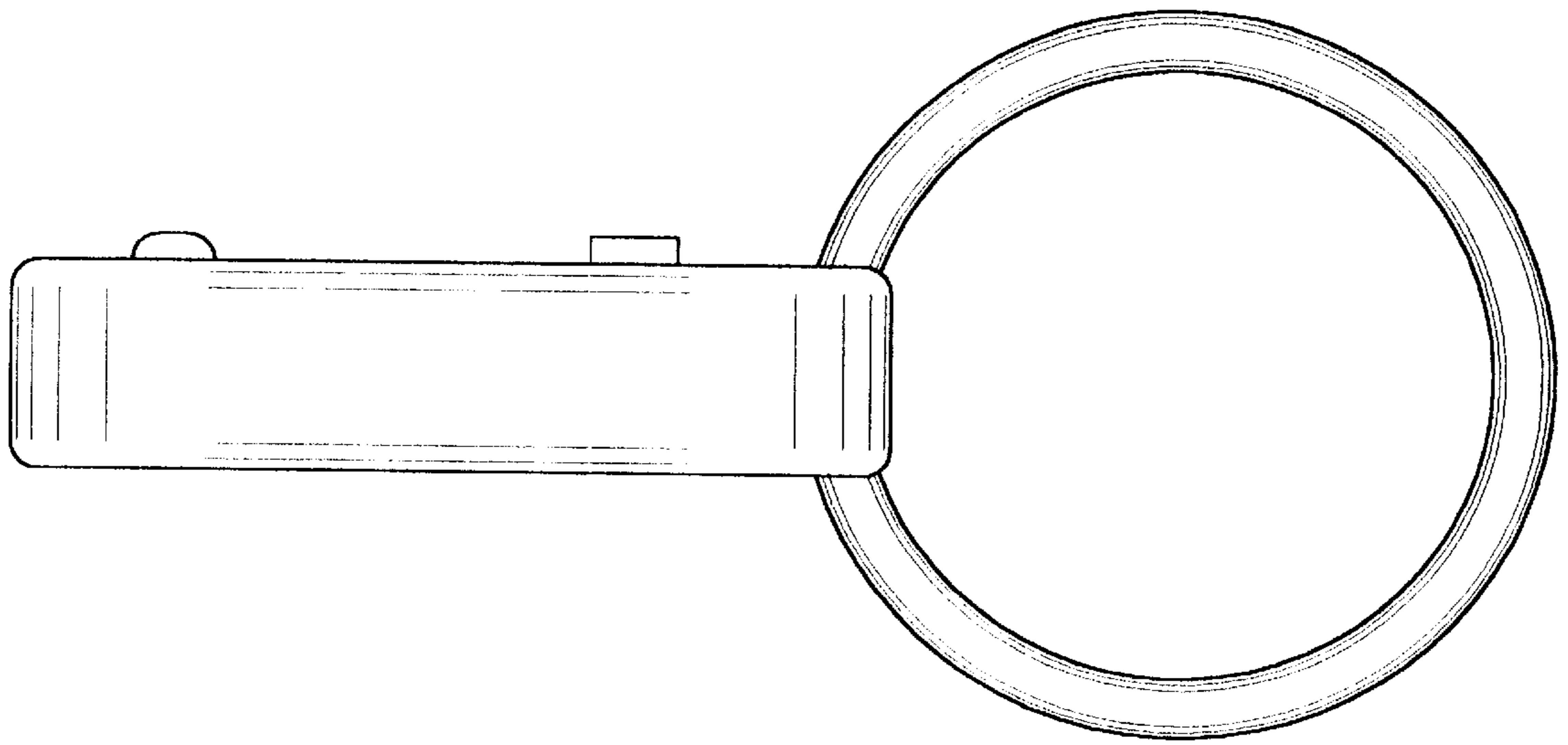


FIG. 3

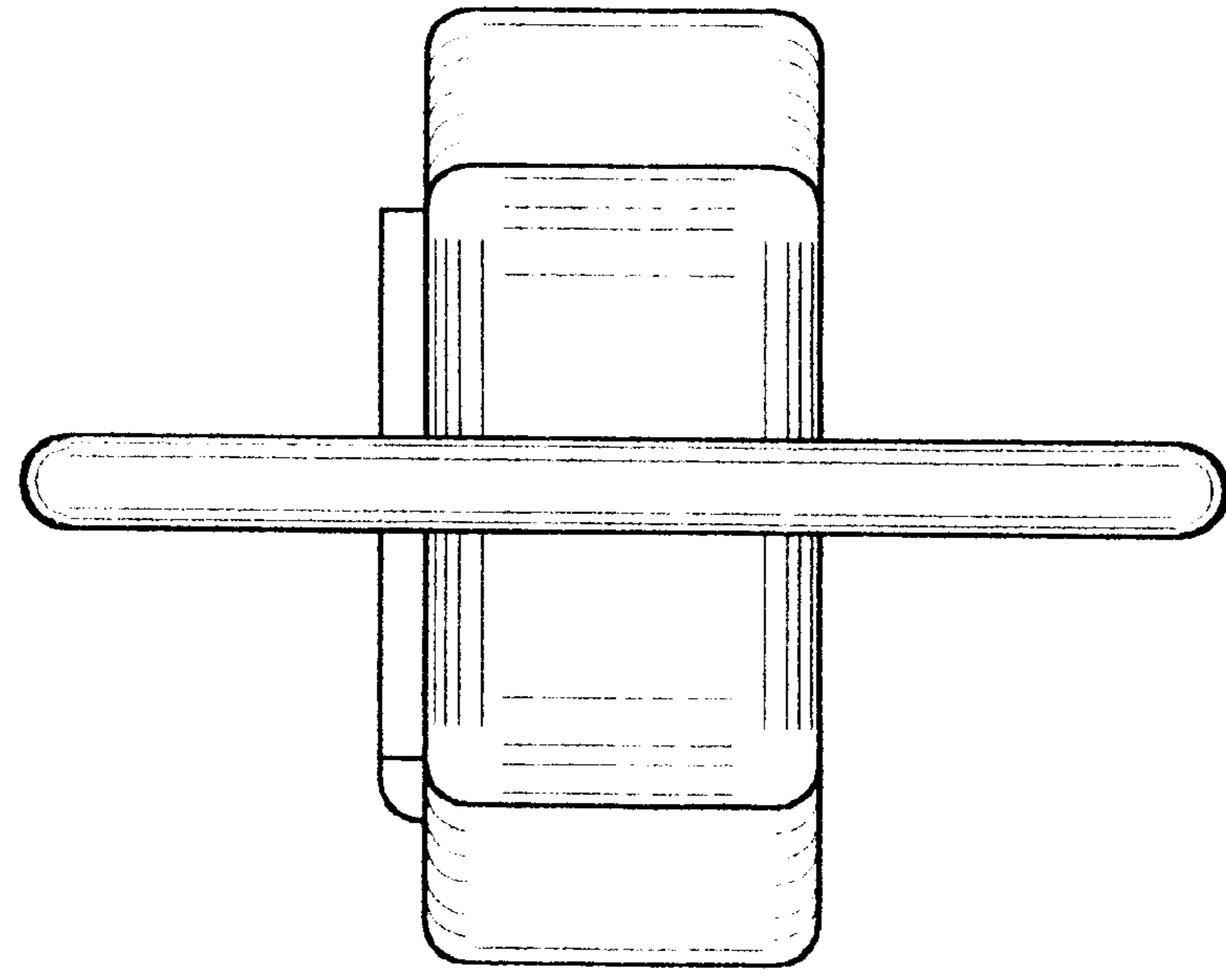


FIG. 5

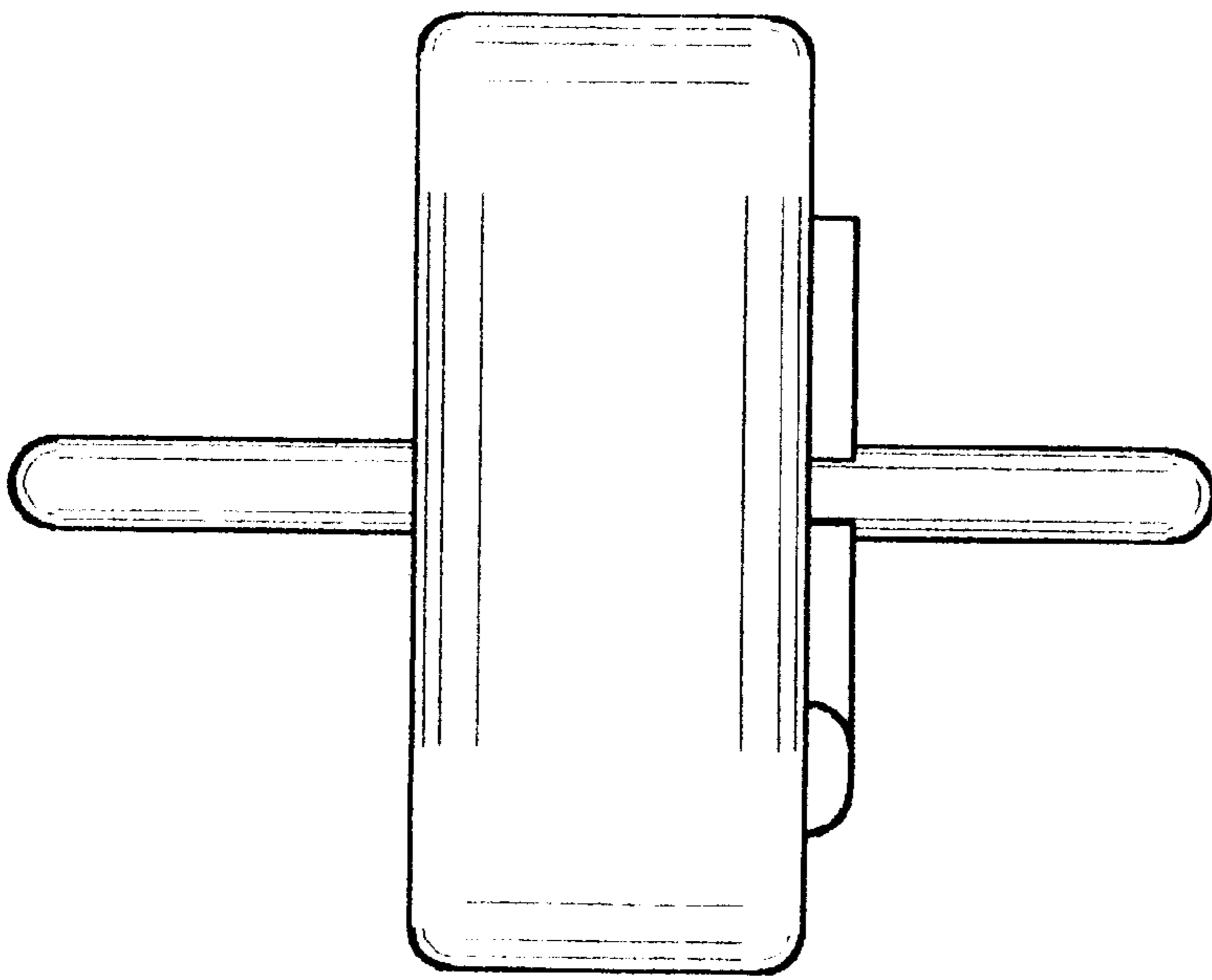


FIG. 4