



US00D443542S

(12) **United States Design Patent**
Dohrmann

(10) **Patent No.:** **US D443,542 S**

(45) **Date of Patent:** **** Jun. 12, 2001**

(54) **FOUR SIDED ALARM UNIT WITH AN UPPER INFRARED SENSOR AND A LOWER LIGHT EMITTING DIODE**

(75) Inventor: **Anthony Dohrmann**, Huntsville, AL (US)

(73) Assignee: **Dohrmann Industries, Inc.**, Carlsbad, CA (US)

(**) Term: **14 Years**

(21) Appl. No.: **29/131,065**

(22) Filed: **Oct. 13, 2000**

(51) **LOC (7) Cl.** **10-05**

(52) **U.S. Cl.** **D10/106**

(58) **Field of Search** D10/104, 106, D10/116, 121; D13/158; 250/221, 341; 340/540, 591, 592, 593

(56) **References Cited**

U.S. PATENT DOCUMENTS

- D. 339,107 * 9/1993 Van Genechten D10/106
- D. 425,811 * 5/2000 Dohrmann D13/158

* cited by examiner

Primary Examiner—Marcus A. Jackson
(74) *Attorney, Agent, or Firm*—Jones, Waldo, Holbrook & McDonough; Michael W. Starkweather

(57) **CLAIM**

The ornamental design for a four sided alarm unit with an upper infrared sensor and a lower light emitting diode, as shown and described.

DESCRIPTION

FIG. 1 shows a perspective front side view of a four sided alarm illustrating a top light, a middle infrared sensor, and lower light emitting diode array;

FIG. 2 shows a perspective rear-side view illustrating a top panic button, a middle speaker hole grid, and a lower telephone connection panel;

FIG. 3 shows an elevation front view;

FIG. 4 shows an elevation rear view on an opposite side to FIG. 3;

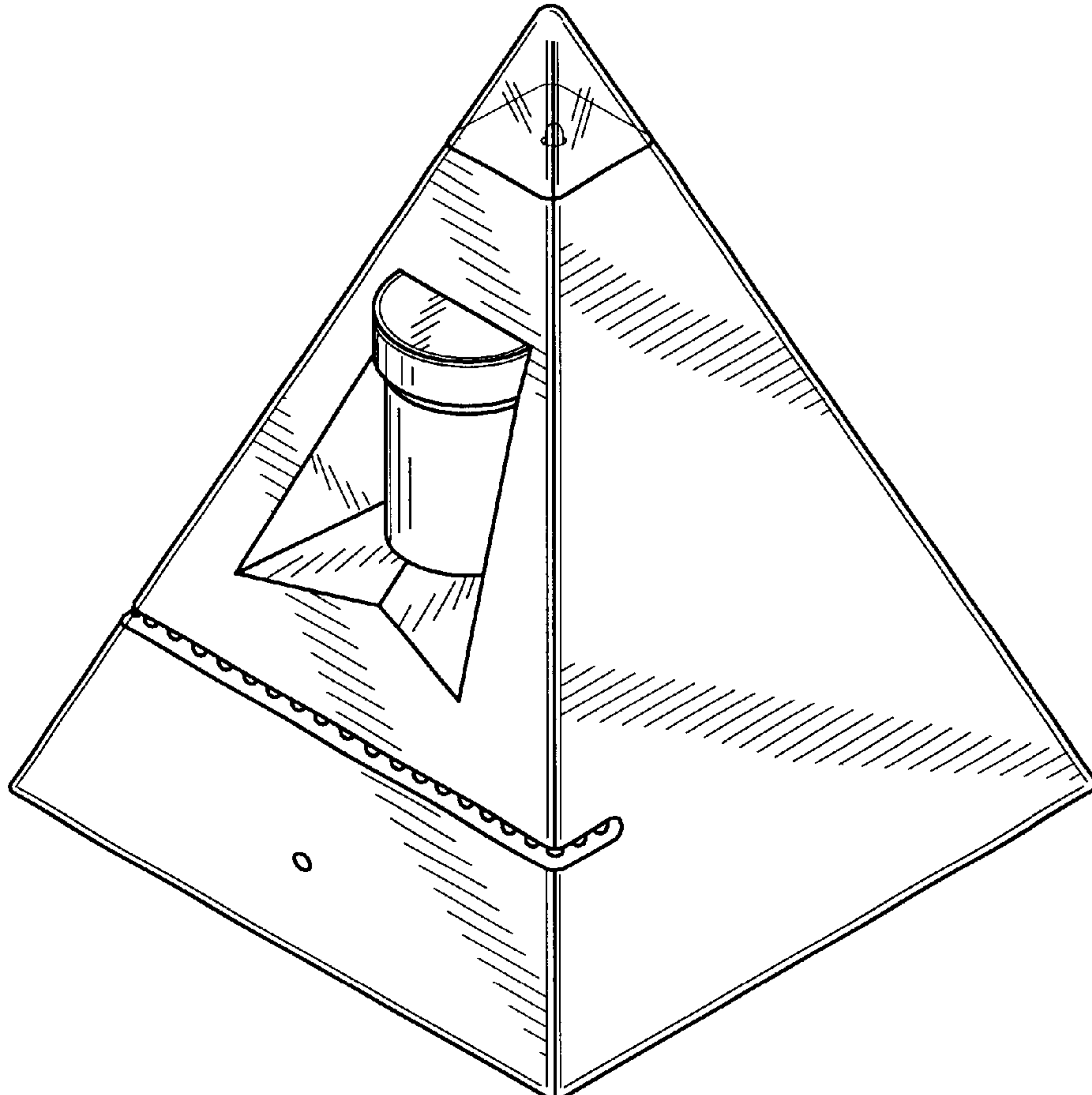
FIG. 5 shows a side elevational view;

FIG. 6 shows a side elevational view on an opposite side to FIG. 5;

FIG. 7 shows a plan top view; and,

FIG. 8 shows a plan bottom view.

1 Claim, 2 Drawing Sheets



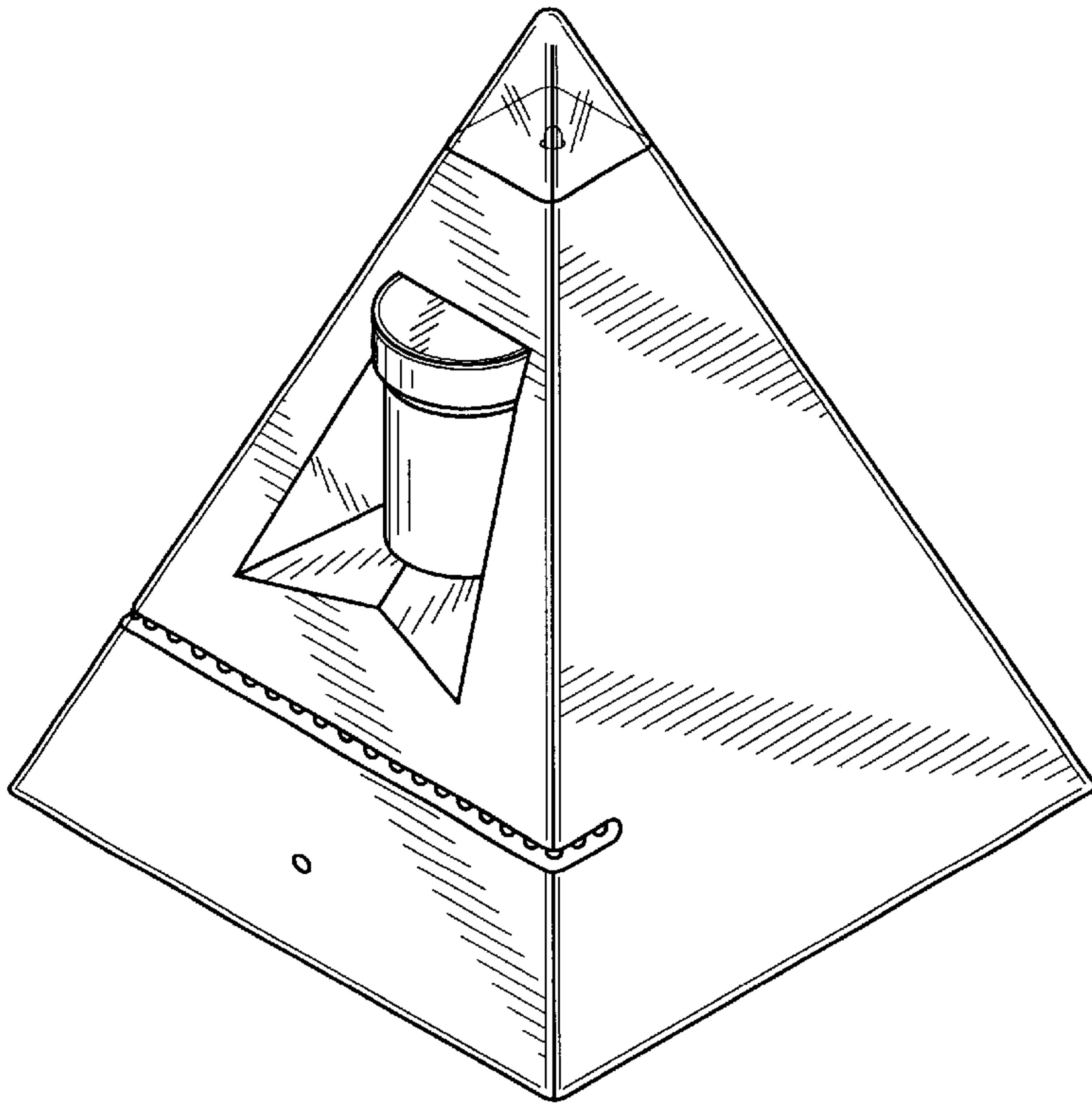


Fig. 1

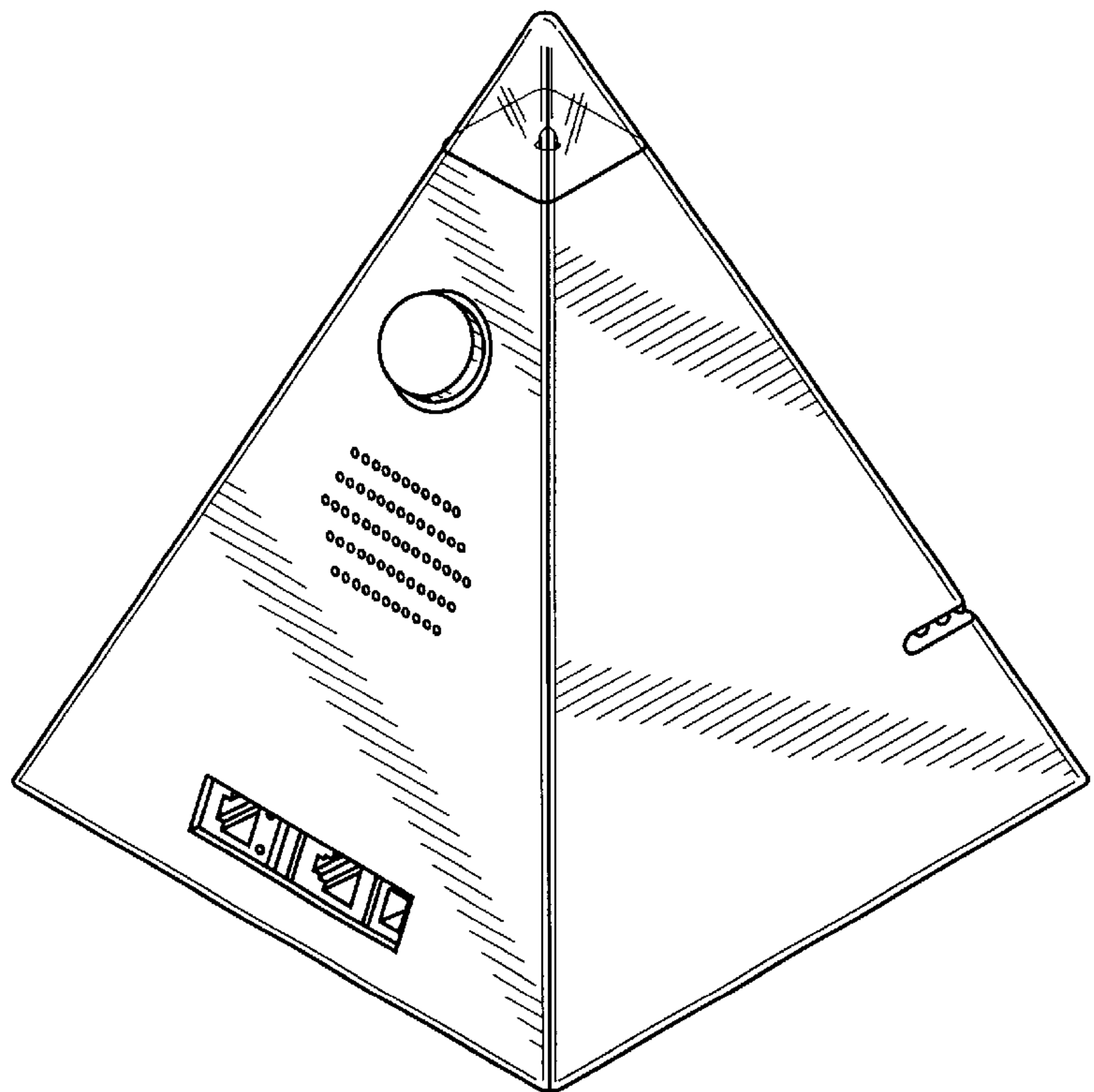


Fig. 2

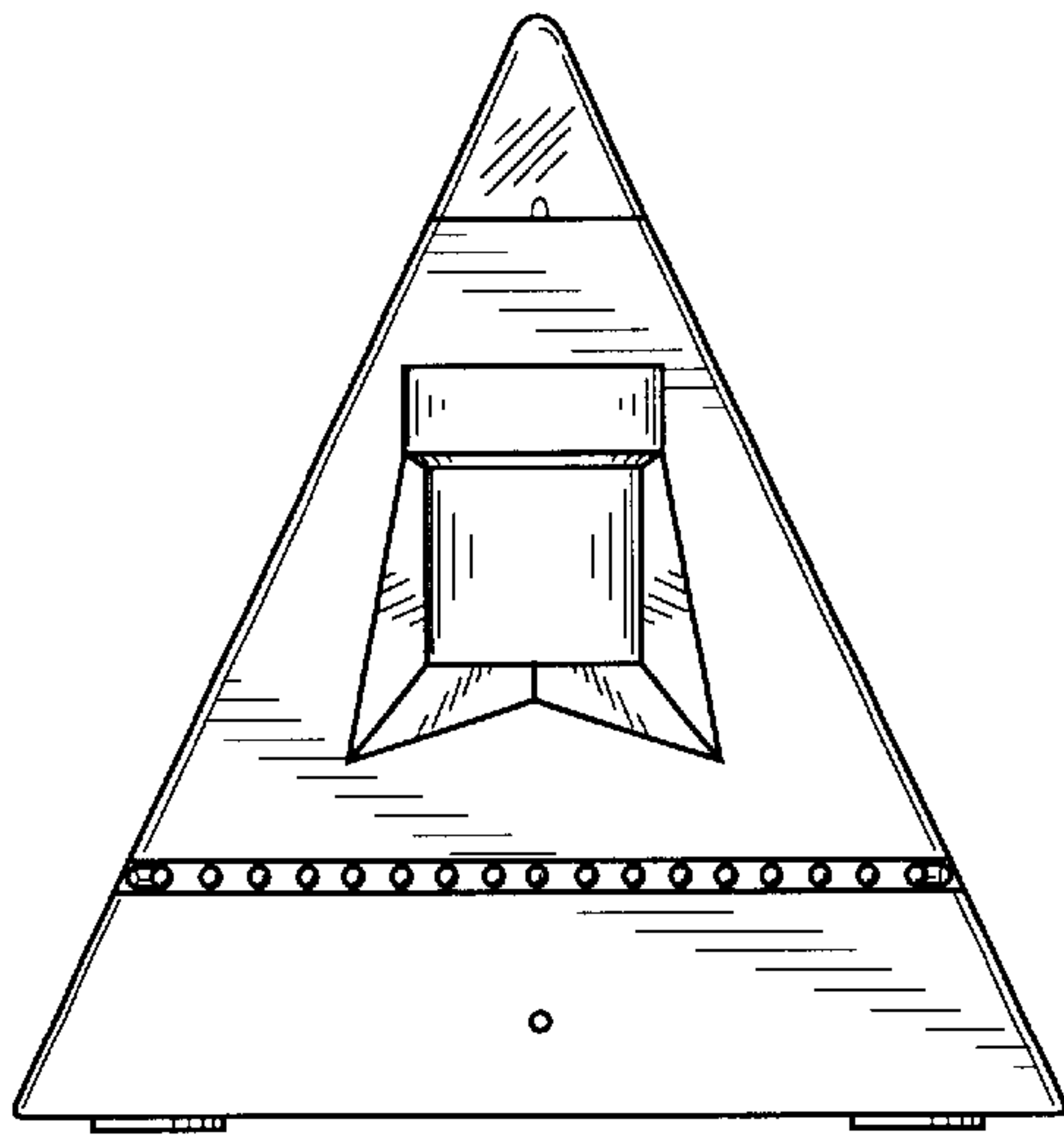


Fig. 3

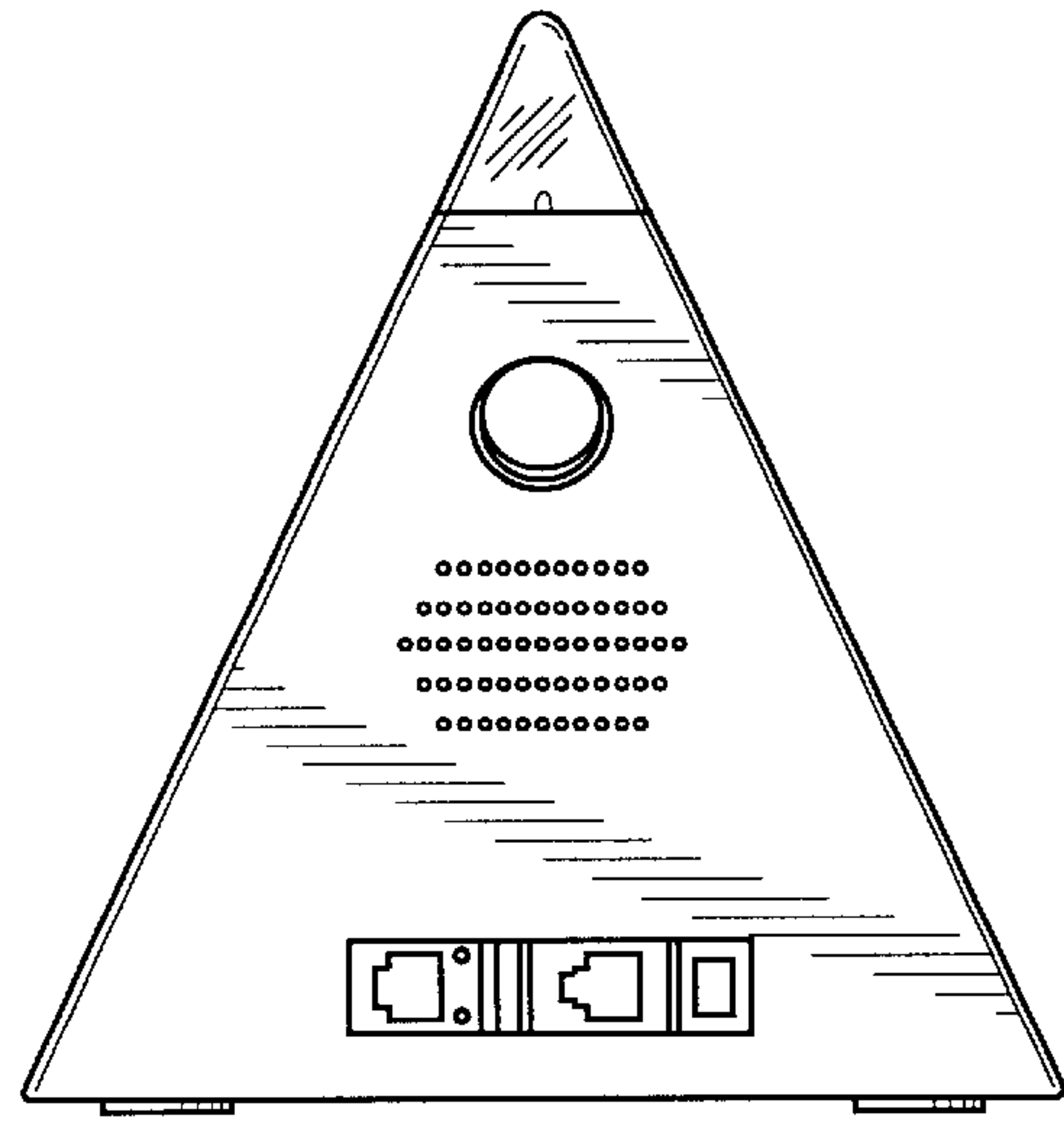


Fig. 4

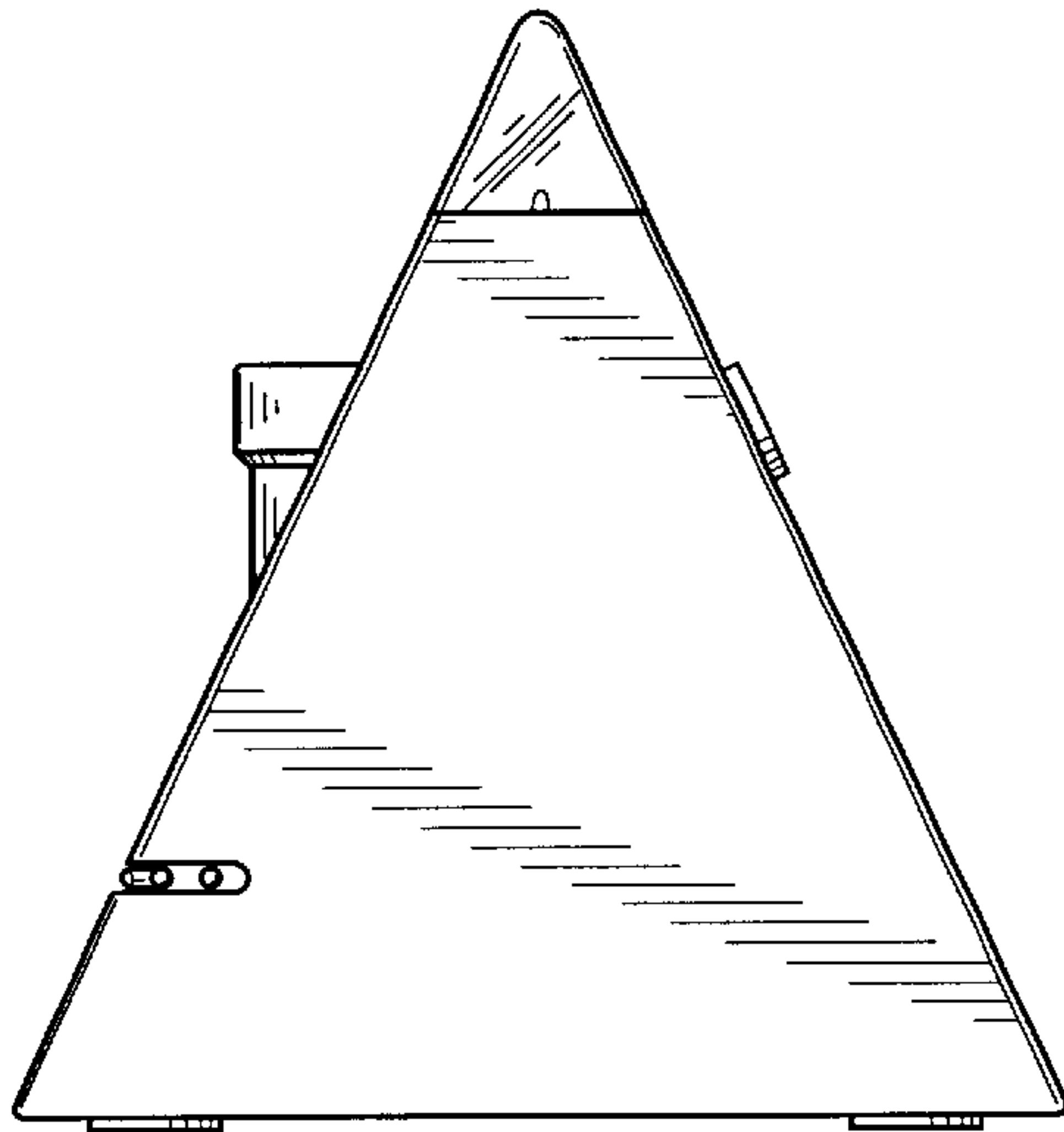


Fig. 5

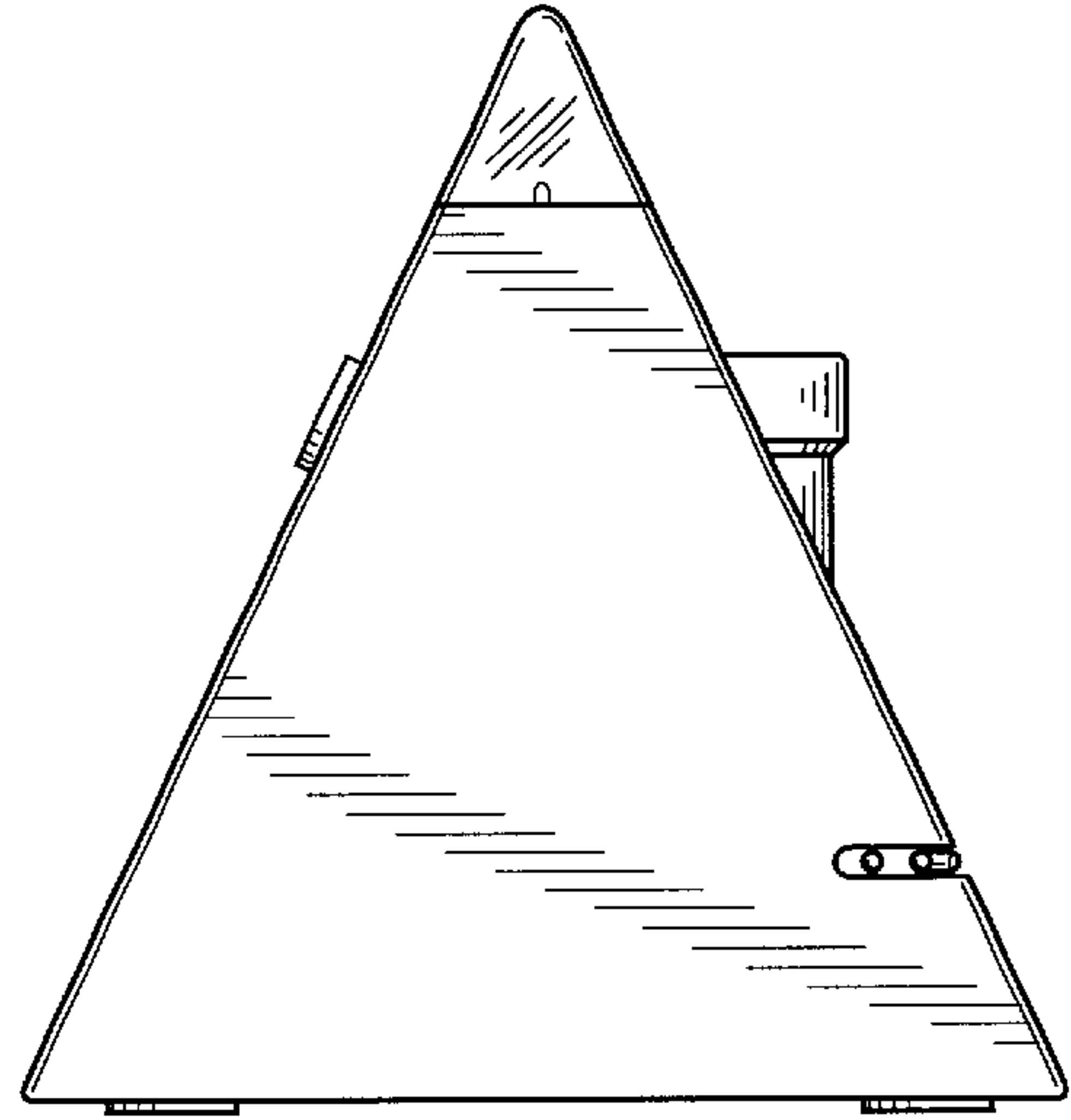


Fig. 6

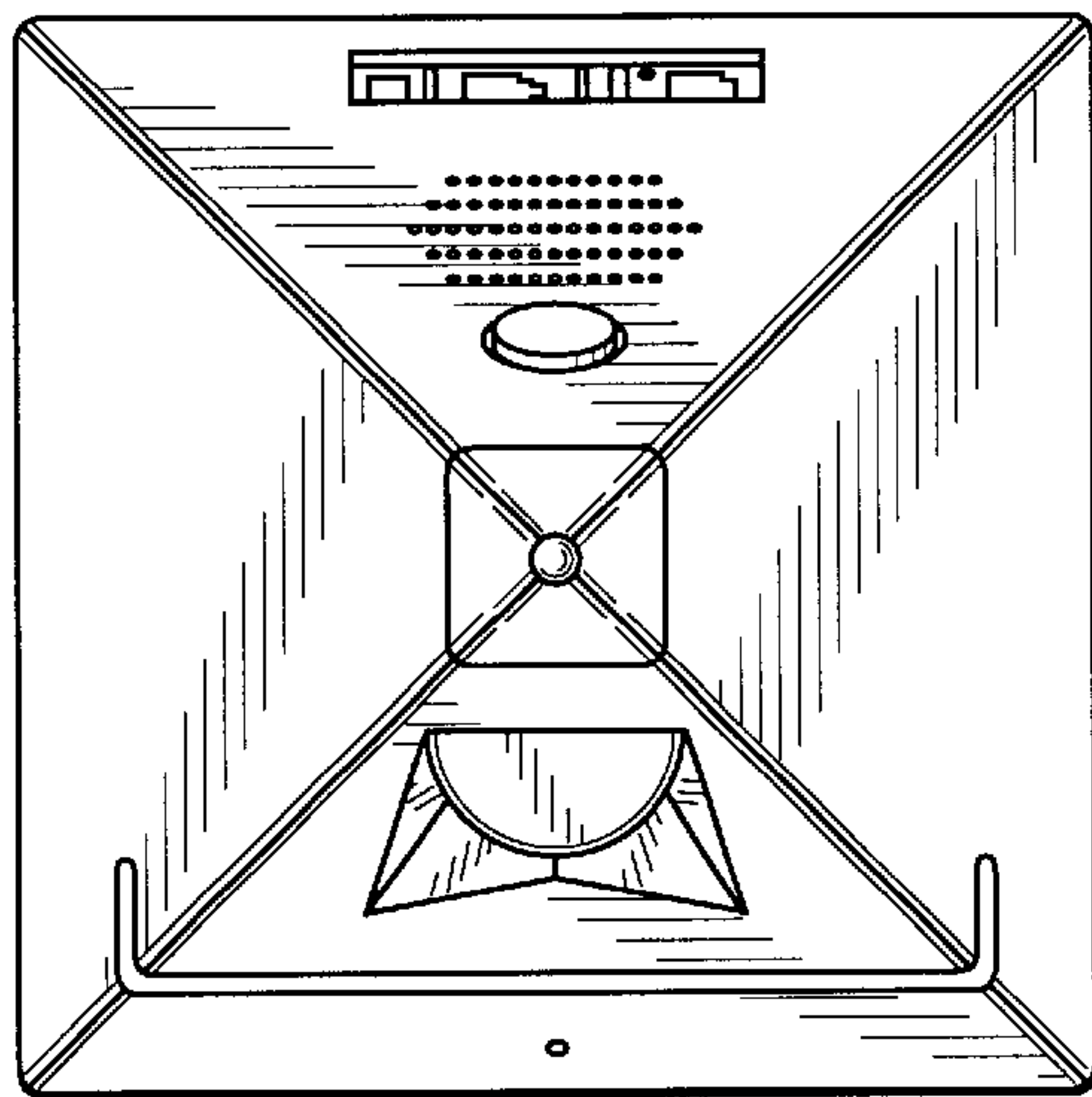


Fig. 7

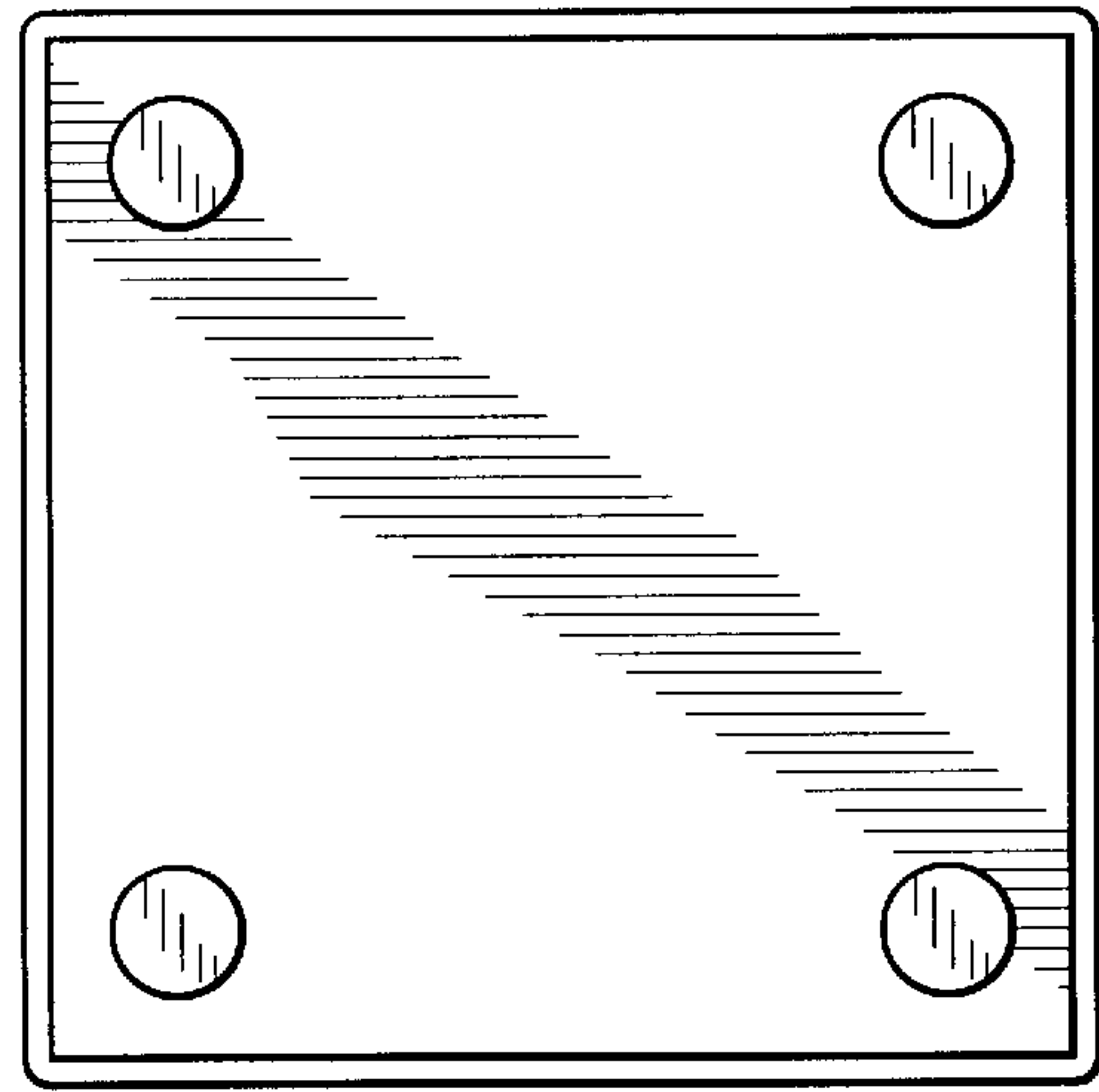


Fig. 8