



US00D443540S

(12) **United States Design Patent**
Spagnolo

(10) **Patent No.:** **US D443,540 S**

(45) **Date of Patent:** **** Jun. 12, 2001**

(54) **SCALE**

4,260,033 * 4/1981 Kakuta et al. D10/92 X

(75) Inventor: **Pino Spagnolo**, Beinasco (IT)

* cited by examiner

(73) Assignee: **Soehnle AG**, Montlingen (CH)

Primary Examiner—Antoine Duval Davis

(**) Term: **14 Years**

(74) *Attorney, Agent, or Firm*—Jones, Tullar & Cooper, P.C.

(21) Appl. No.: **29/127,512**

(57) **CLAIM**

(22) Filed: **Aug. 8, 2000**

The ornamental design for a scale, as shown and described.

(30) **Foreign Application Priority Data**

DESCRIPTION

Apr. 25, 2000 (WO) 158448401

FIG. 1 is a top view of a scale according to the present invention;

(51) **LOC (7) Cl.** **10-04**

FIG. 2 is a bottom view of the scale of FIG. 1;

(52) **U.S. Cl.** **D10/92**

FIG. 3 is a right rear side perspective view of the scale of FIGS. 1-2;

(58) **Field of Search** D10/92; 177/210 R,
177/238-245

FIG. 4 is a right front side perspective view of a scale of FIGS. 1-3;

(56) **References Cited**

FIG. 5 is a front elevation view of the scale of FIGS. 1-4;

U.S. PATENT DOCUMENTS

D. 227,803 * 7/1973 O'Neill D10/92

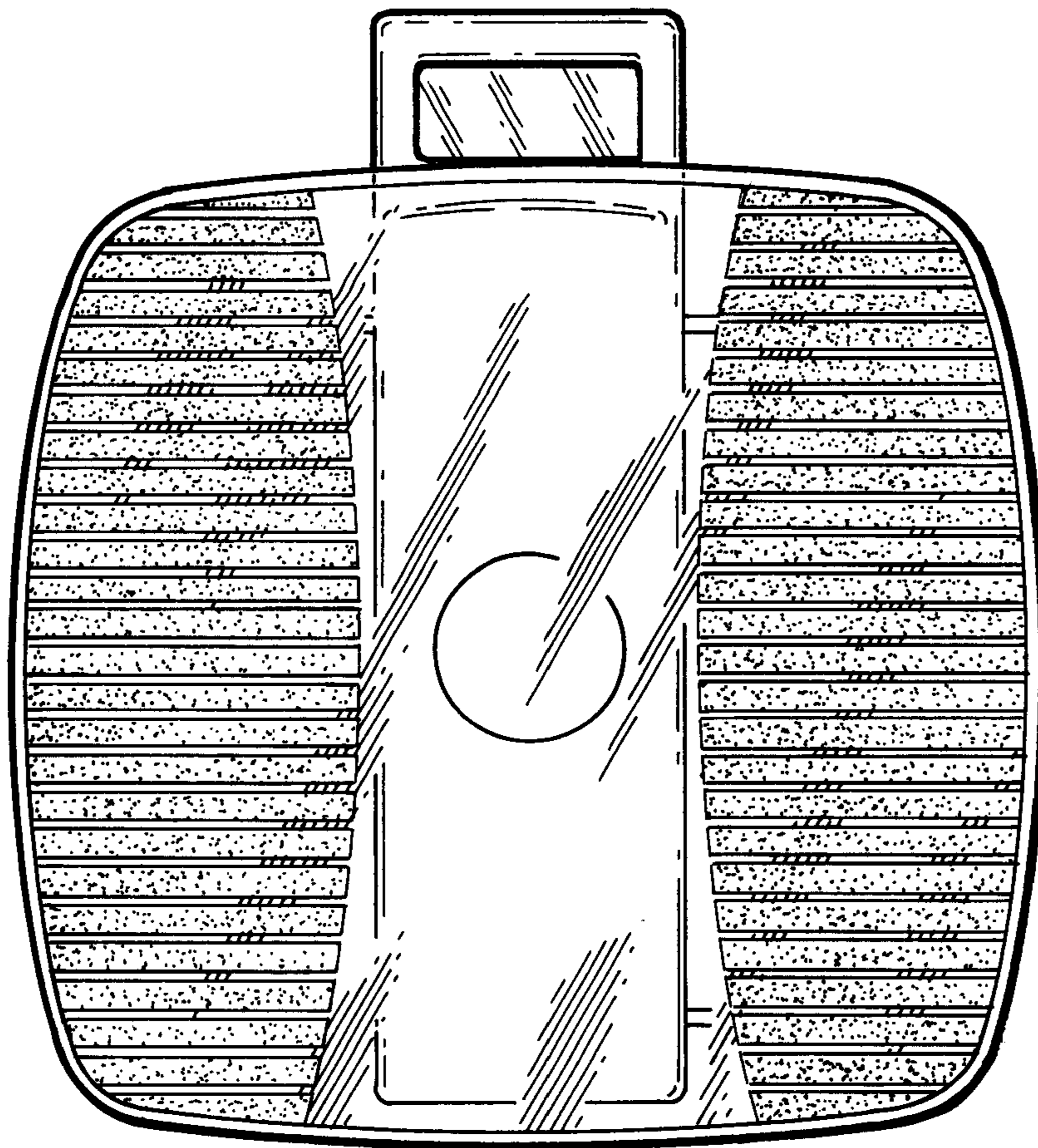
FIG. 6 is a rear elevation view of the scale of FIGS. 1-5; and

D. 422,232 * 4/2000 Dal Toso D10/92

FIG. 7 is a right side elevation view of the scale of FIGS. 1-6.

D. 425,439 * 5/2000 Juteau D10/92

1 Claim, 2 Drawing Sheets



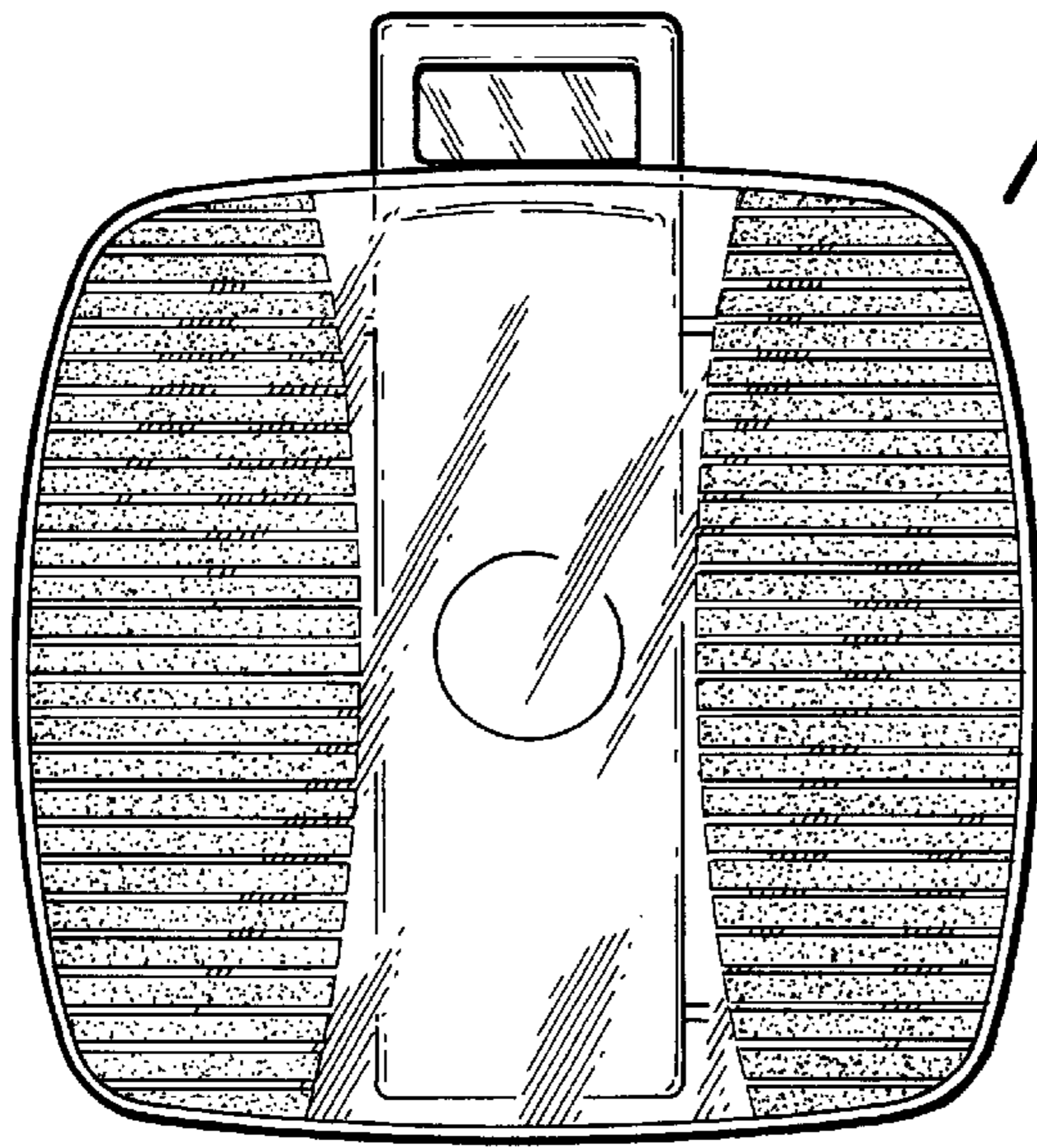


FIG. 1

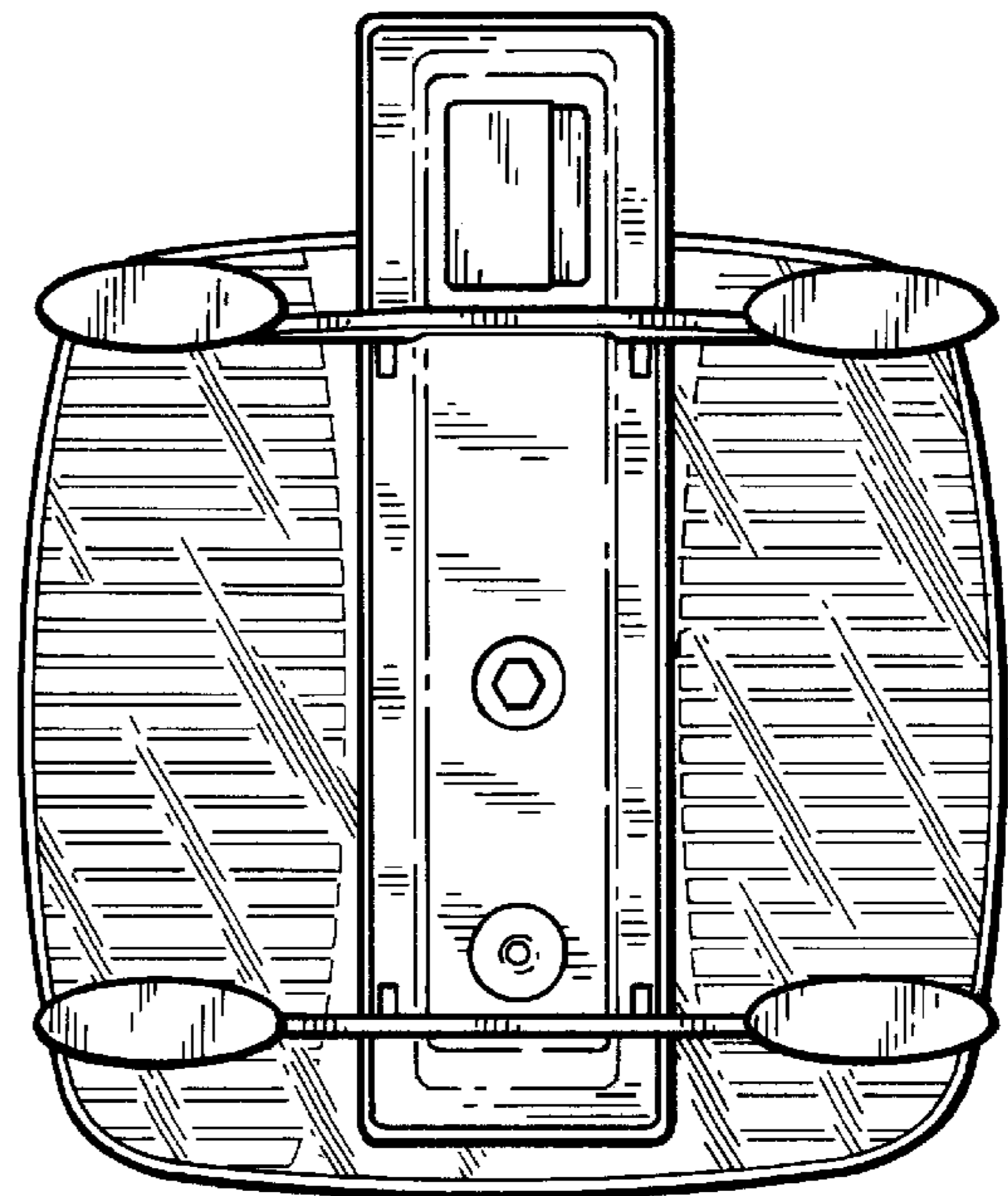


FIG. 2

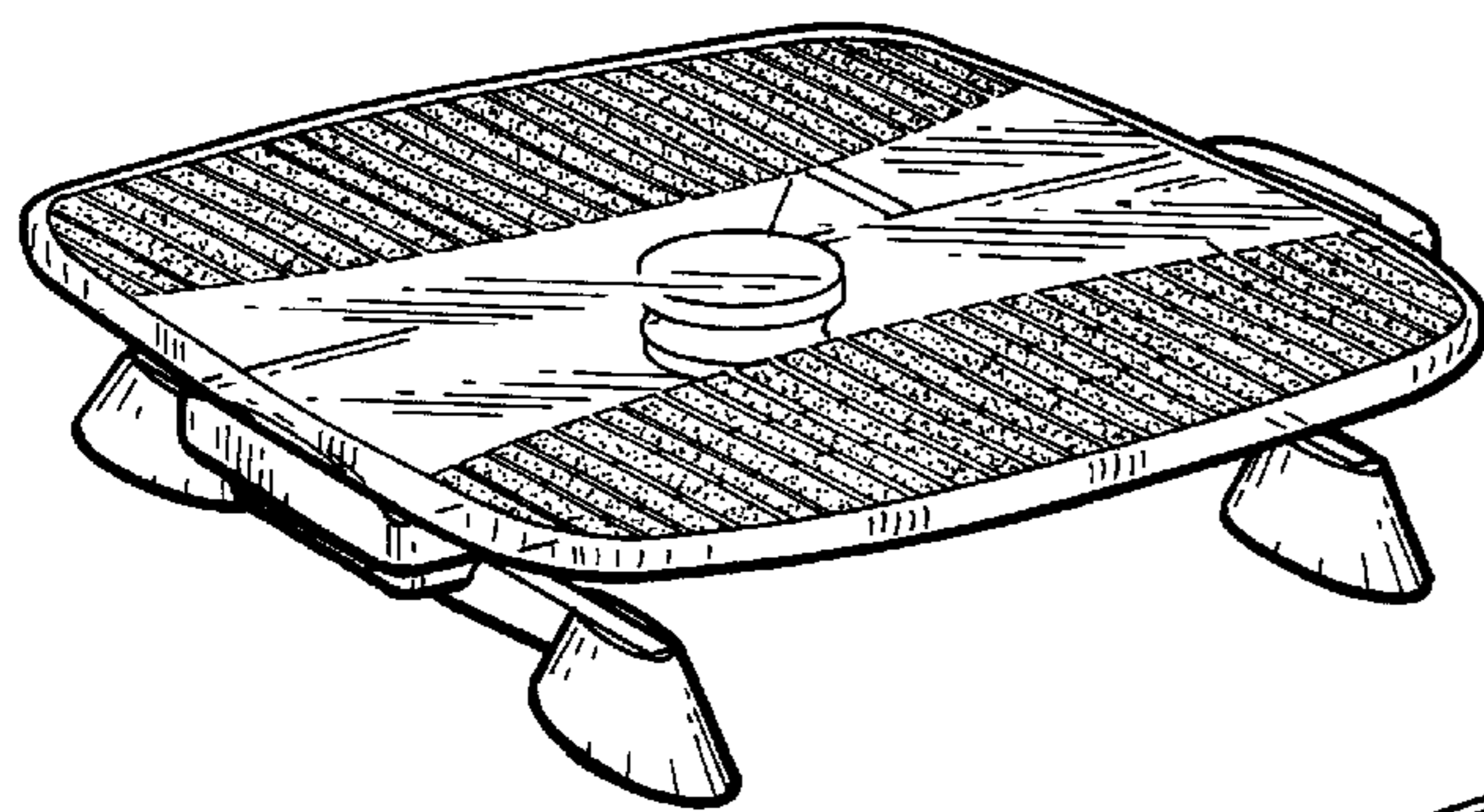


FIG. 3

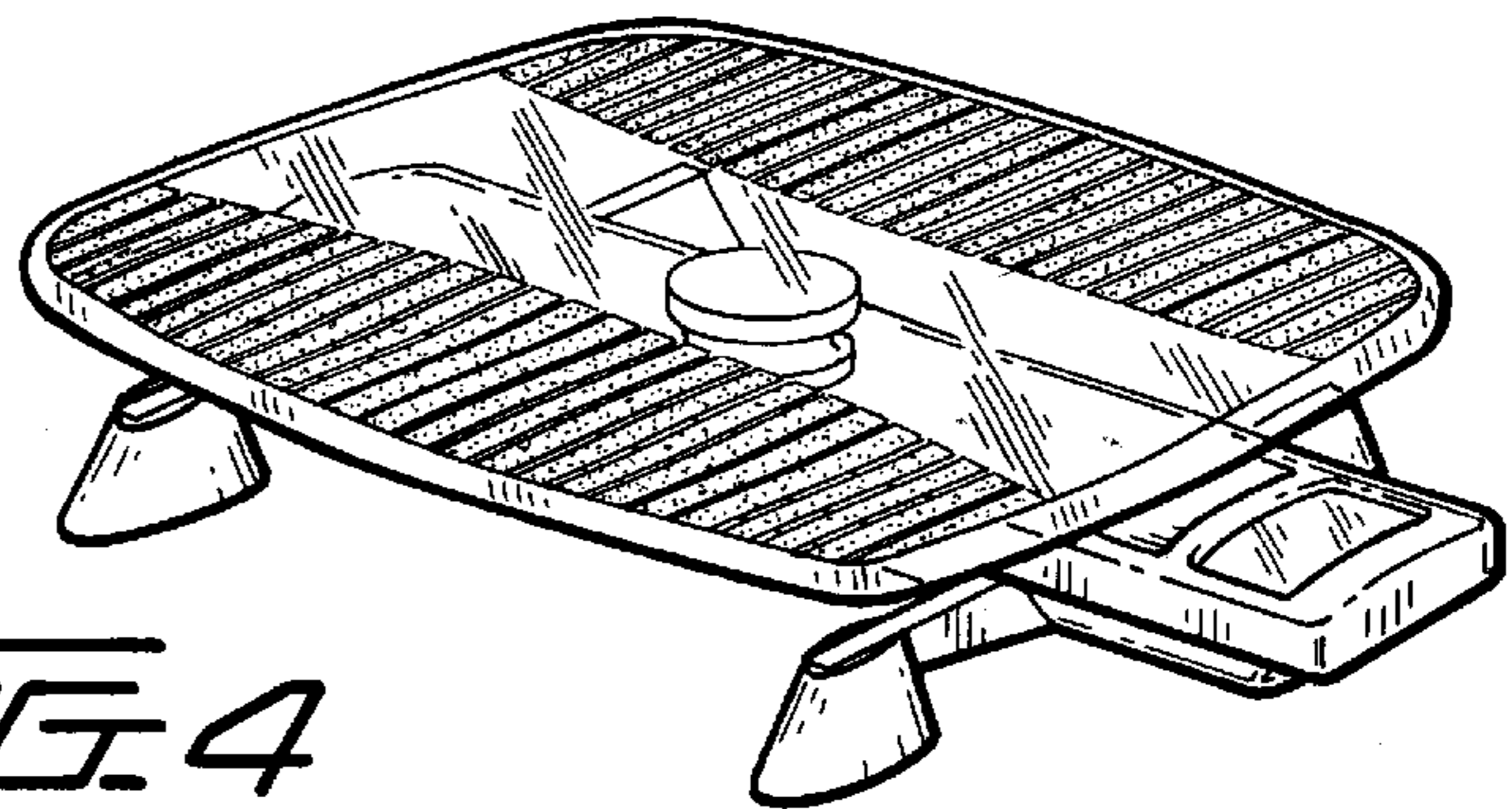


FIG. 4

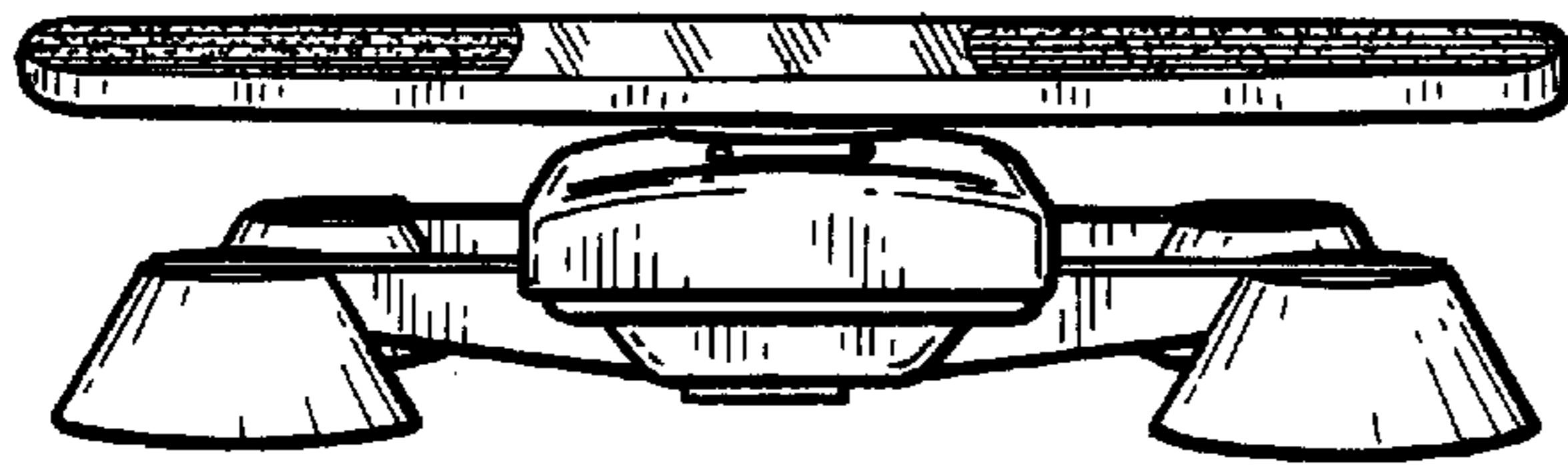


FIG. 5

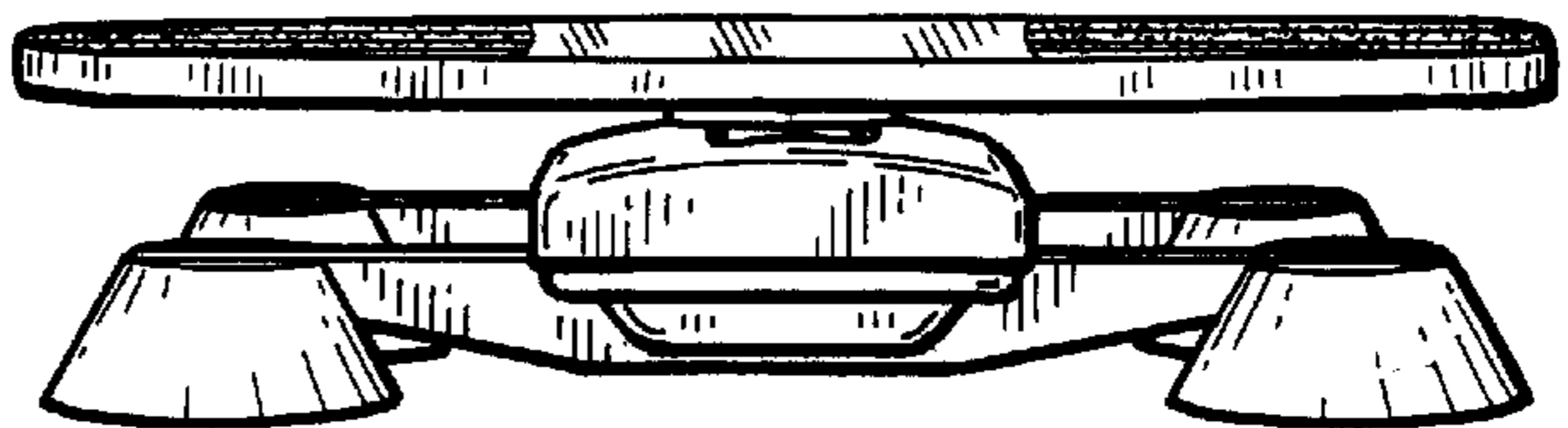


FIG. 6

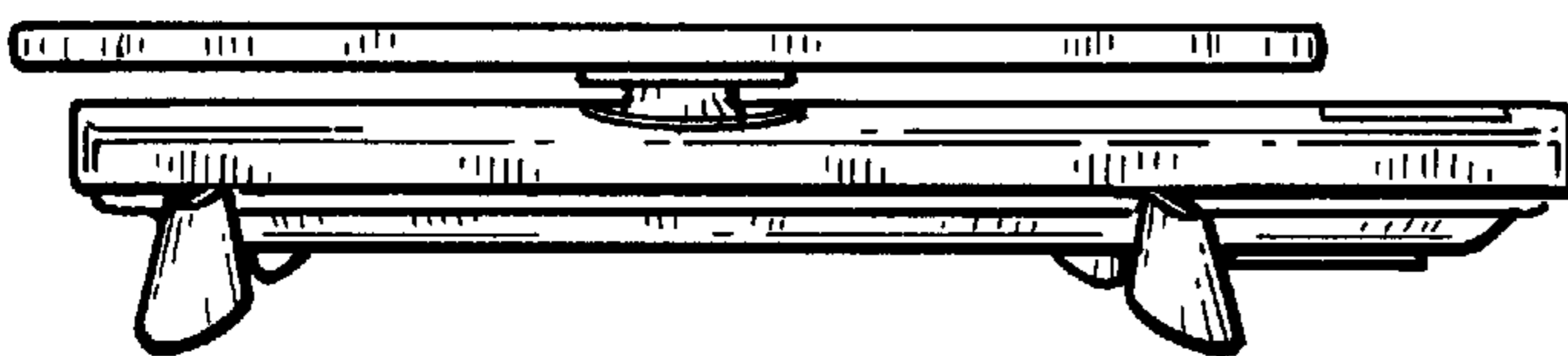


FIG. 7