



US00D443536S

(12) **United States Design Patent**
Lira-Nunez et al.

(10) **Patent No.:** **US D443,536 S**

(45) **Date of Patent:** **** Jun. 12, 2001**

(54) **CUTTING TEMPLATE**

(75) **Inventors:** **Carmen Lira-Nunez; Erhua Cai**, both of St. Cloud; **James W. Reardon**, St. Stephen, all of MN (US)

(73) **Assignee:** **The Antioch Company**, St. Cloud, MN (US)

(**) **Term:** **14 Years**

(21) **Appl. No.:** **29/127,149**

(22) **Filed:** **Jul. 31, 2000**

(51) **LOC (7) Cl.** **10-04**

(52) **U.S. Cl.** **D10/64**

(58) **Field of Search** D8/98; D10/62, D10/64, 71; 83/476; 33/27.01, 27.032, 483-494, 562, 566; D19/39

(56) **References Cited**

U.S. PATENT DOCUMENTS

D. 332,412 * 1/1993 Ninaber Van Eijben et al. D10/64
X

D. 384,297 * 9/1997 Paynes D10/64
D. 398,250 * 9/1998 Dieterich et al. D10/64 X
D. 398,864 * 9/1998 Dieterich et al. D10/64 X
4,598,482 * 7/1986 Castleton 33/482

* cited by examiner

Primary Examiner—Antoine Duval Davis

(74) *Attorney, Agent, or Firm*—Biebel & French

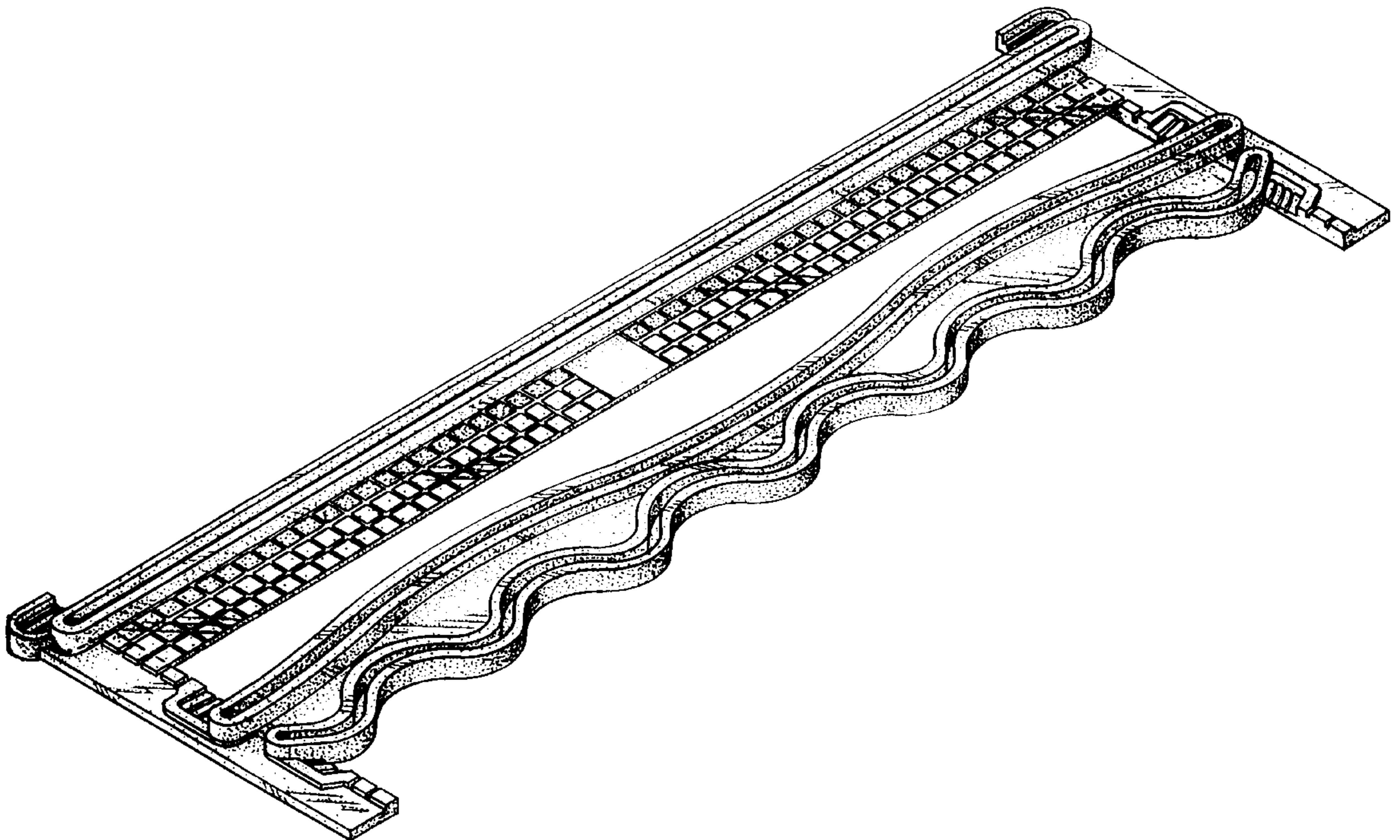
(57) **CLAIM**

The ornamental design for a cutting template, as shown and described.

DESCRIPTION

FIG. 1 is a top perspective view of the cutting template of the present invention;
FIG. 2 is a top plan view thereof;
FIG. 3 is a bottom plan view thereof;
FIG. 4 is a left side elevational view thereof;
FIG. 5 is a right side elevational view thereof;
FIG. 6 is a front edge elevational view thereof; and,
FIG. 7 is a rear edge elevational view thereof.

1 Claim, 5 Drawing Sheets



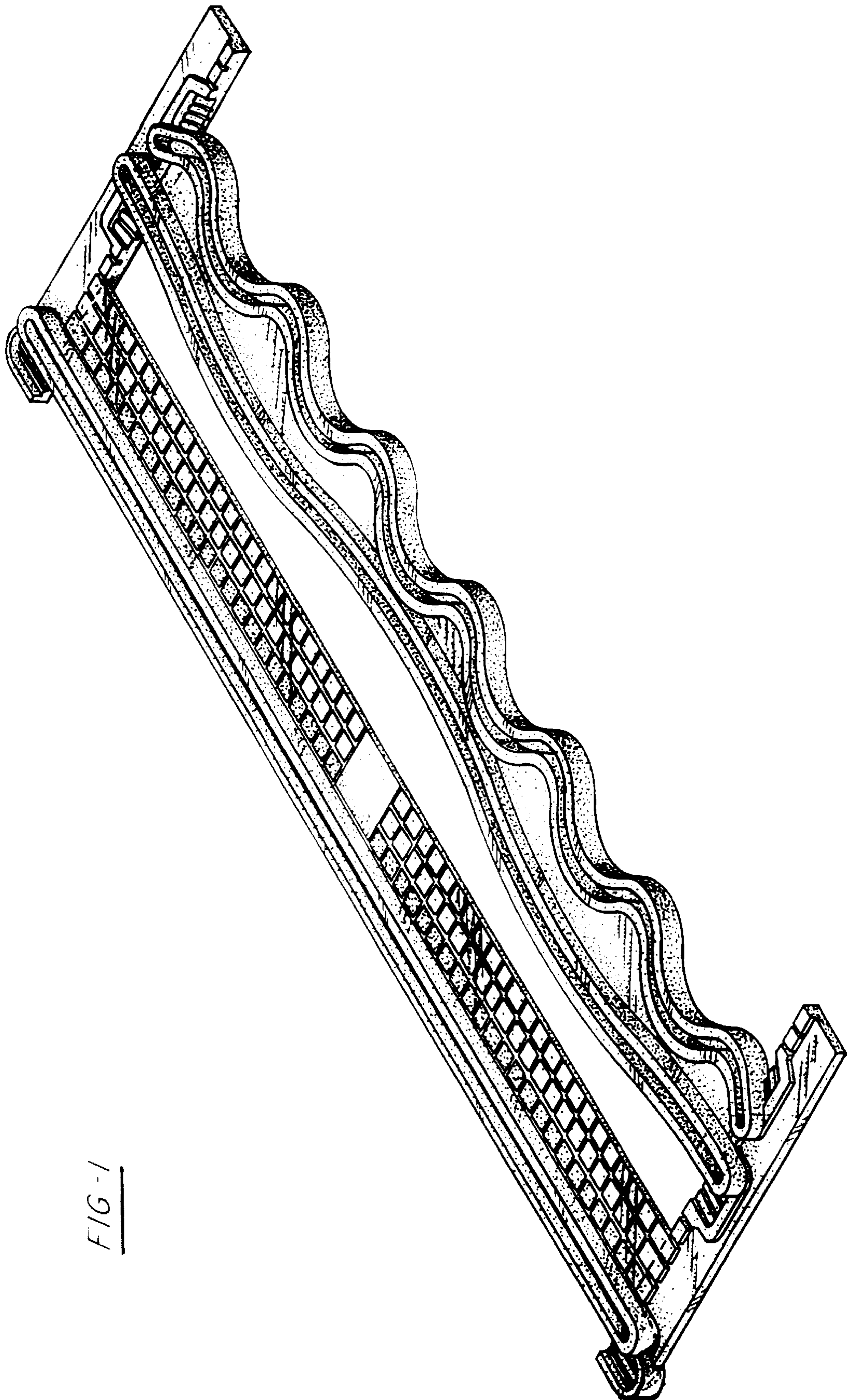


FIG-1

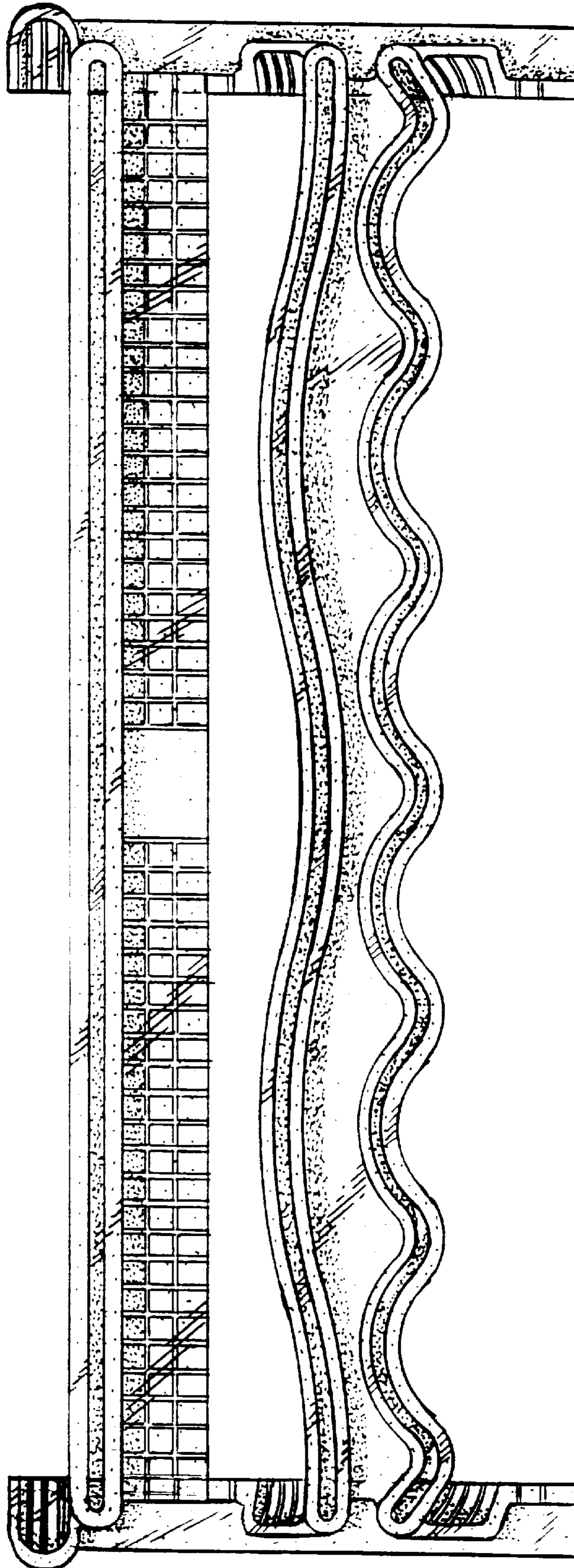


FIG - 2

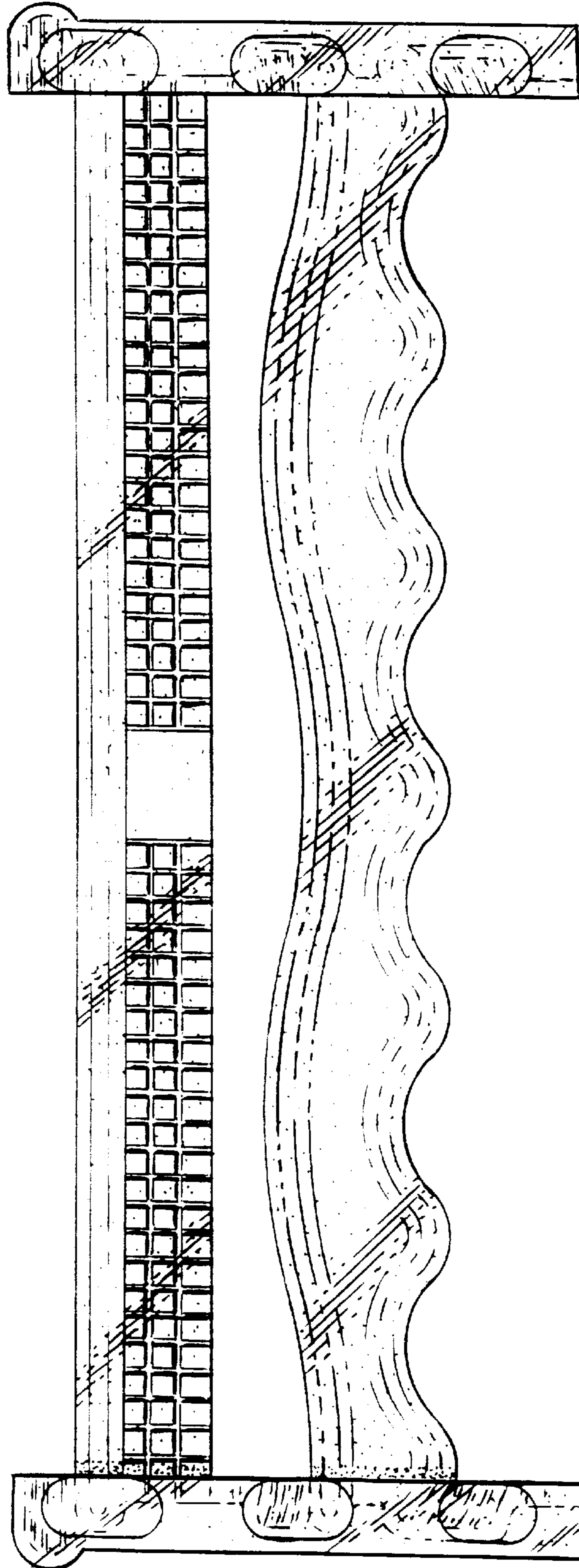


FIG - 3

FIG - 4

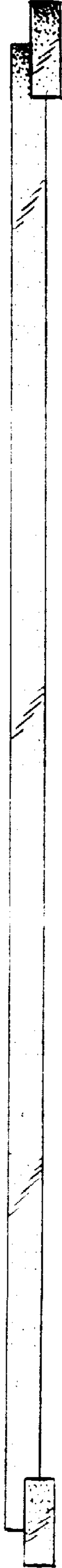


FIG - 5



FIG - 6



FIG - 7

